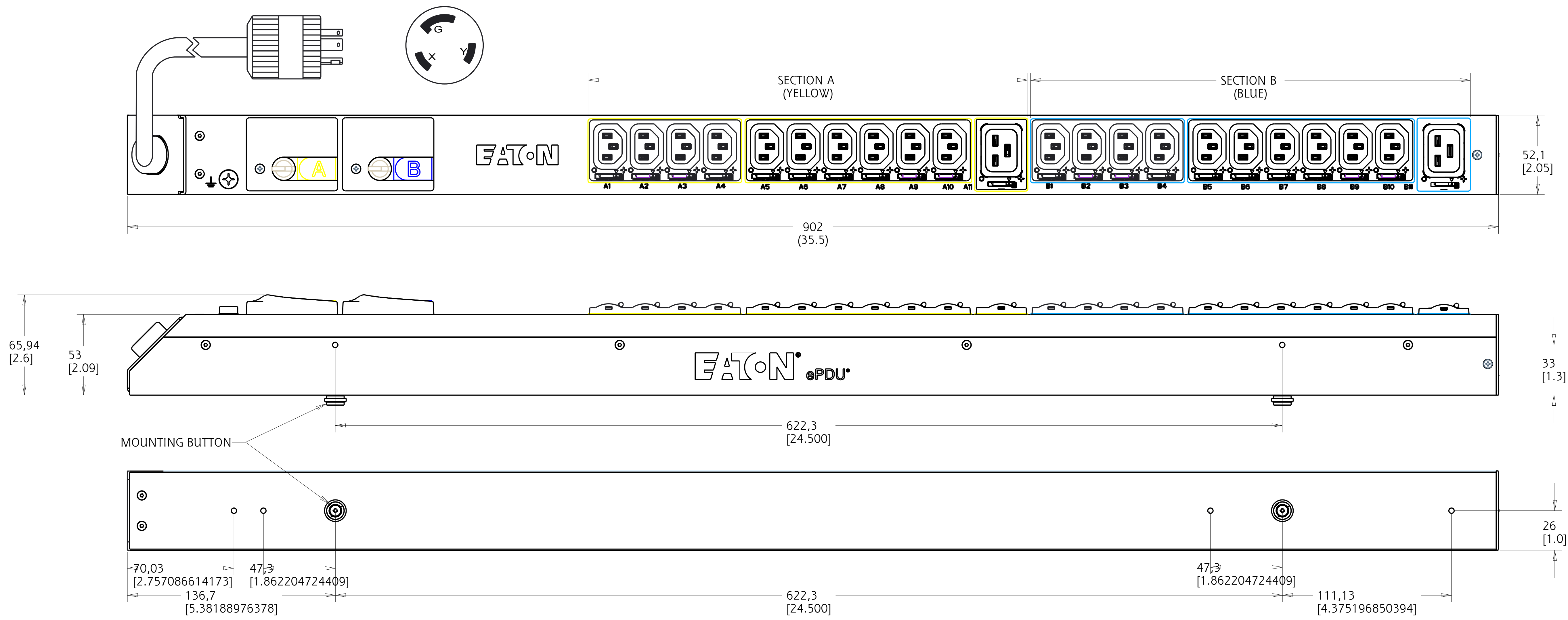
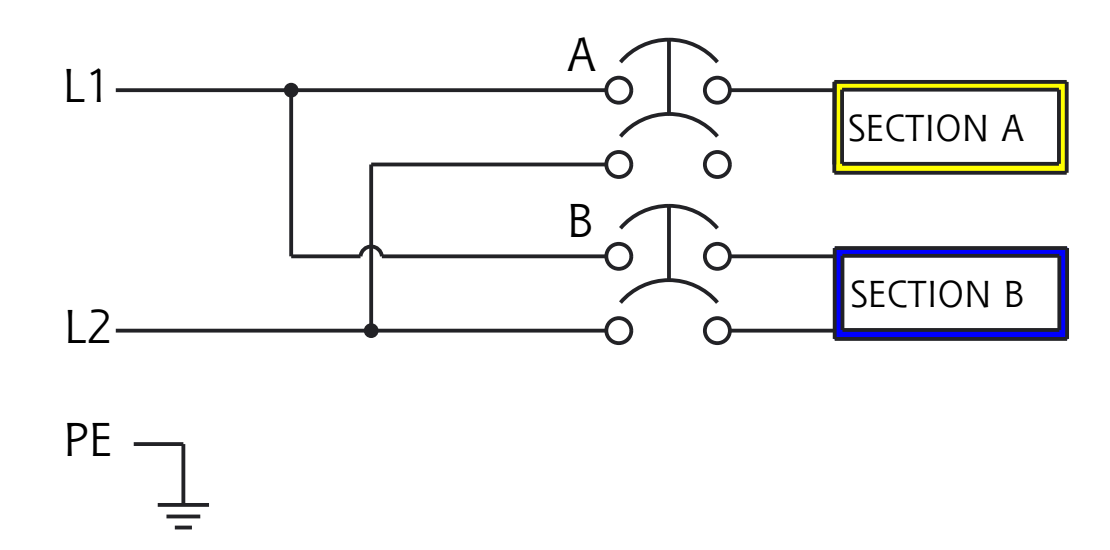


REV	ECO No.	REVISION	DR	CK	AP	DATE
001	092906	ENGINEERING RELEASE	LS			13 NOV 15
002	094169	LENGTH WAS 19U, NOW 21U	J.O.			8 DEC 15
003	095737	S/N PREFIX WAS B682, DEL SPK013	J.O.			11 JAN 16



## EBA125-10 G3 BASIC INPUT

FUNCTIONALITY	INPUT	OUTPUT	ENVIRONMENTAL
POWER DISTRIBUTION	NEMA L6-30 PLUG 10FT 10AWG / 3C POWERCORD	(20) IEC 60320 C13 GRIP (2) IEC 60320 C19 GRIP	32° TO 140° F 0° TO 60° C
MECHANICAL	INPUT RATING	OUTPUT RATING	CERTIFICATIONS
35.5" (902mm) LENGTH 2.05" (52mm) WIDTH 2.09" (53mm) DEPTH ALUMINUM CHASSIS, BLACK	200-240V ~ 2W+PE 24A 50/60HZ	200-240V ~; 15A PER C13; 16A PER C19 16A MAX PER SECTION 24A MAX TOTAL	
CIRCUIT BREAKERS	FILTER AND SPIKE/SURGE	ACCESSORIES	CONFIGURATION
(2) 20A 2-POLE LISTED	NONE	INCLUDED SPK012 - INSTALLATION OPTIONAL EMPO01 - ENVIRONMENTAL PROBE	EBA3MTC5JDT74A1 SERIAL NUMBER B681 _____



METRIC		EATON CORPORATION, ELECTRICAL		EATON		SIZE D
DESCRIPTION: ePDU G3 SPECIFICATION FOR EBA125-10						
MODIFIED BY: L. SANDOVAL	DATE: 13 NOV 15	UNLESS OTHERWISE SPECIFIED TOLERANCES ON DIMENSIONS ARE: ANGLES: ±10° HOLES: Ø±0.13			SCALE: 0.700 DO NOT SCALE DRAWING OR CHANGE MANUALLY	
ECO: 092906	STATE: RELEASE	DIMENSIONS ARE IN MILLIMETERS (INCHES) AND AFTER PLATING			SHEET: 1 of 1	
PRO-ENGINEER GENERATED		PART NAME: EBA3MTC5JDT74A1	REVISION: 003			

EATON CORPORATION - CONFIDENTIAL AND PROPRIETARY NOTICE TO PERSONS RECEIVING THIS DOCUMENT AND/OR TECHNICAL INFORMATION THIS DOCUMENT, INCLUDING THE DRAWING AND INFORMATION CONTAINED THEREON, IS CONFIDENTIAL AND IS THE EXCLUSIVE PROPERTY OF EATON CORPORATION AND IS SUBJECT TO RECALL BY EATON AT ANY TIME. BY TAKING POSSESSION OF THIS DOCUMENT, THE RECIPIENT ACKNOWLEDGES AND AGREES THAT THIS DOCUMENT CANNOT BE USED IN ANY MANNER ADVERSE TO THE INTERESTS OF EATON, AND THAT NO PORTION OF THIS DOCUMENT MAY BE COPIED OR OTHERWISE REPRODUCED WITHOUT THE PRIOR WRITTEN CONSENT OF EATON. IN THE CASE OF CONFLICTING CONTRACTUAL PROVISIONS, THIS NOTICE SHALL GOVERN THE STATUS OF THIS DOCUMENT. © 2008 Eaton Corporation - All Rights Reserved.