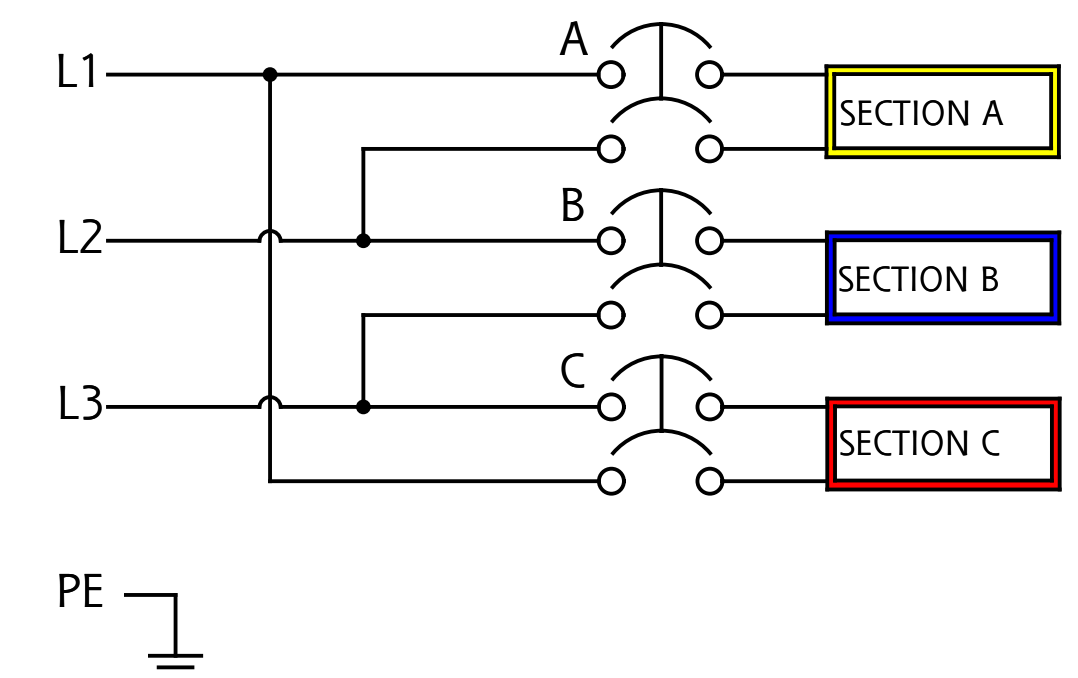
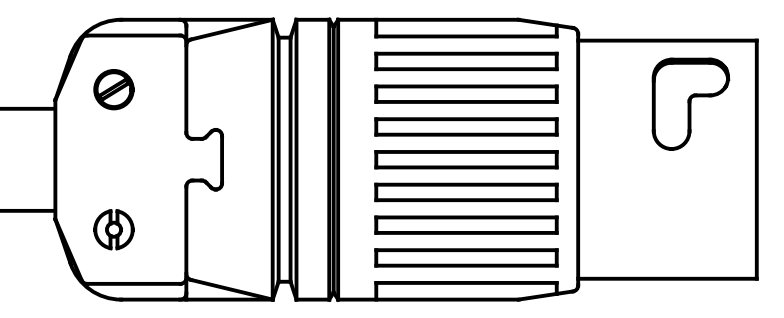
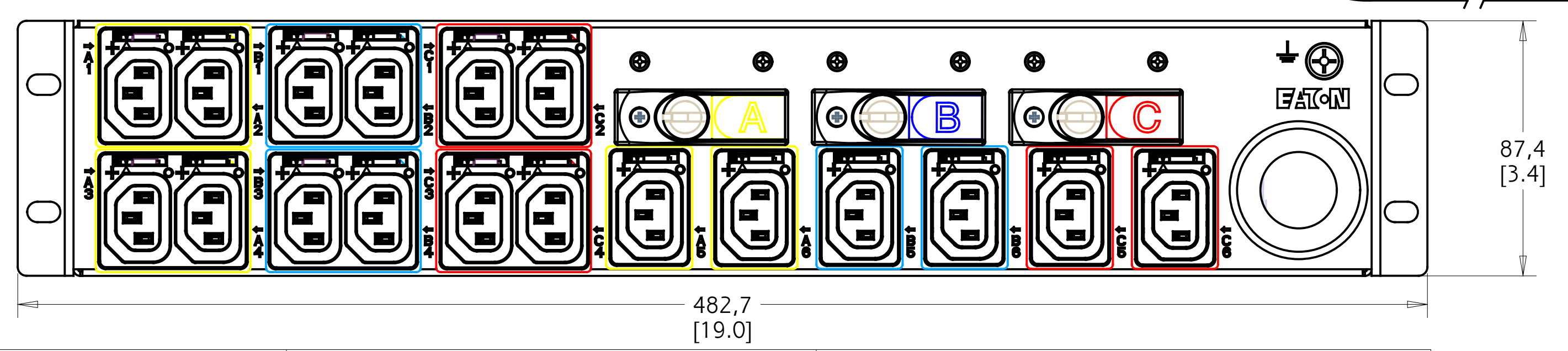
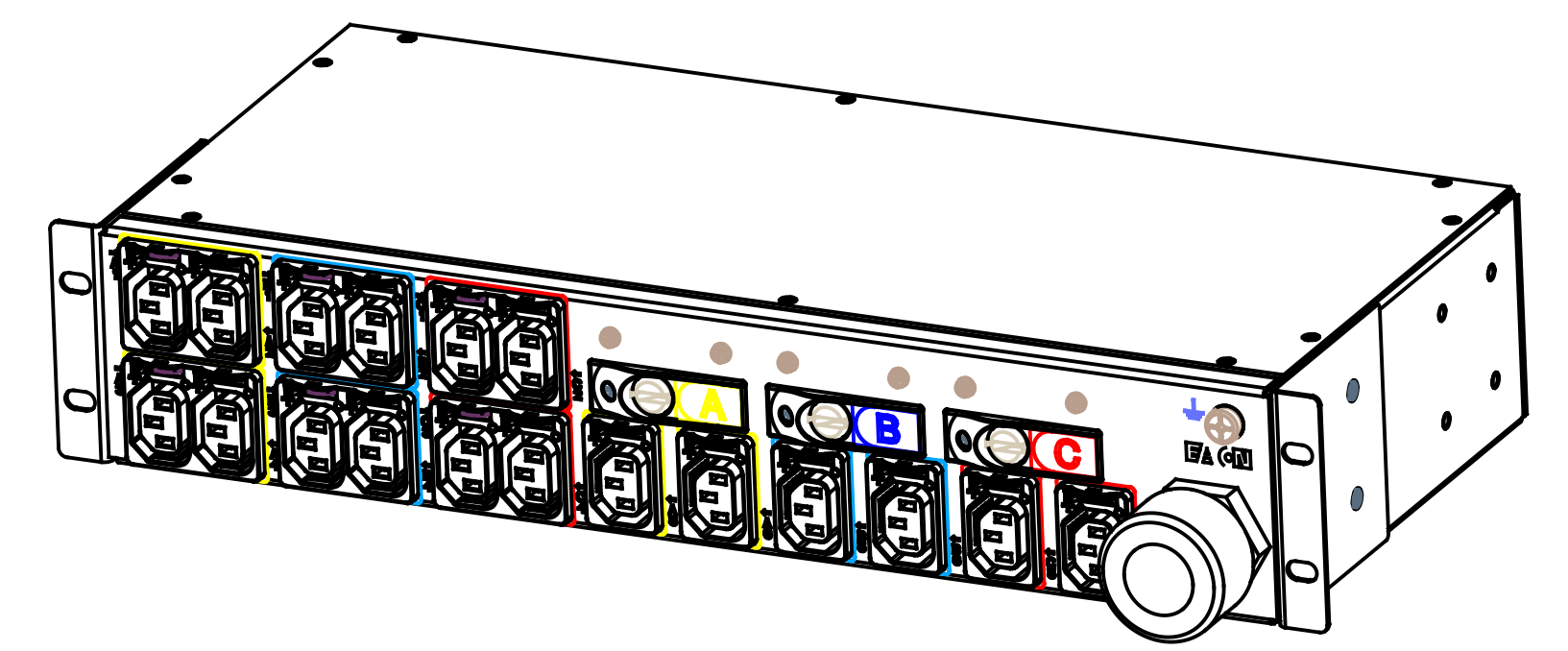
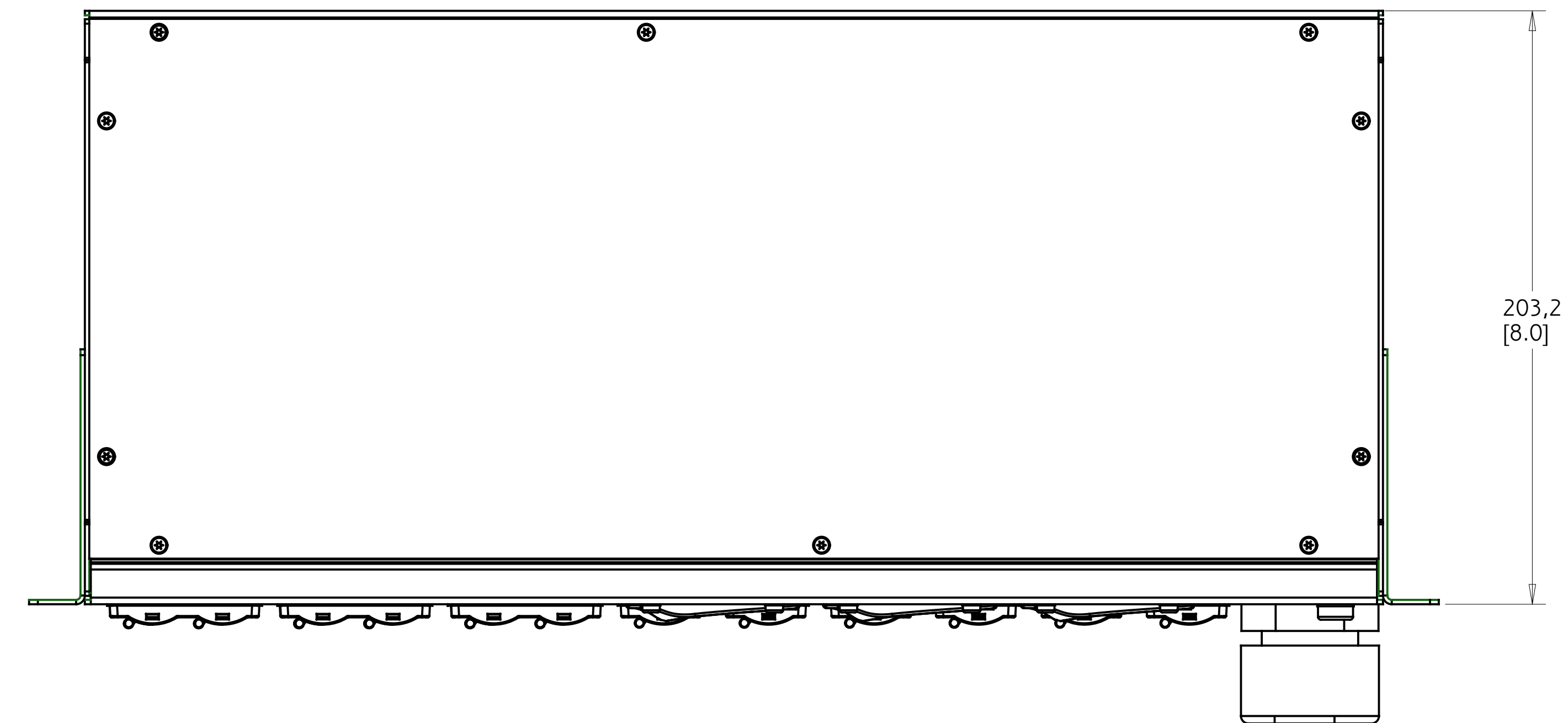
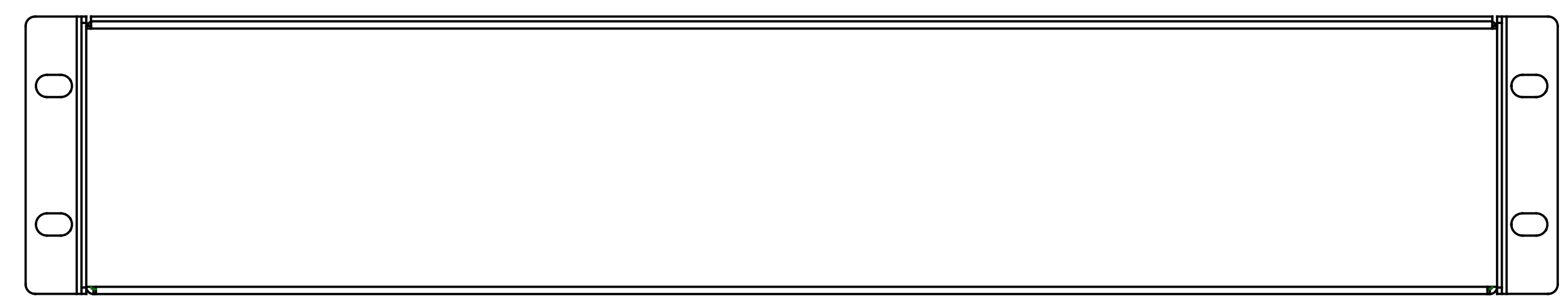


REV	ECO No.	REVISION	DR	CK	AP	DATE
001	106305	RELEASED	J.O.			10 AUG 16
002	108129	ADDED EATON LOGO	RS			31 AUG 16
003	109479	REVISED HEIGHT TOLERANCE	RS			27 SEPT 16



# EBAU28-10 G3 BASIC

FUNCTIONALITY	INPUT	OUTPUT	ENVIRONMENTAL
POWER DISTRIBUTION	CS8365 PLUG 10FT 8AWG / 4C POWERCORD	(18) IEC 60320 C13 GRIP OUTLETS	32° TO 140° F 0° TO 60° C
MECHANICAL	INPUT RATING	OUTPUT RATING	CERTIFICATIONS
3.44" (87.4mm) HEIGHT 19.00" (482.7mm) WIDTH 8.00" (203.2mm) DEPTH STEEL CHASSIS, BLACK	200-240 V ~ DELTA 3W + PE 35A 50/60HZ	200-240 V ~ 15A PER C13 16A MAX PER SECTION 35A MAX PER PHASE	UL LISTED
CIRCUIT BREAKERS	FILTER AND SPIKE/SURGE	ACCESSORIES	CONFIGURATION
(3) 20A 2-POLE UL LISTED	NONE	INCLUDED SPK021 - INSTALLATION	EBA3PED5JGT23A1 SERIAL NUMBER B681 _____

METRIC		EATON CORPORATION, ELECTRICAL		SIZE D
DESCRIPTION: ePDU SPECIFICATION DRAWING FOR EBA3PED5JGT23A1				
MODIFIED BY: J. OSBORNE	DATE: 2 AUG 2016	UNLESS OTHERWISE SPECIFIED TOLERANCES ARE: ANGLES: ±10° HOLES: Ø±0.13 DIMENSIONS ARE IN MILLIMETERS (INCHES) AND AFTER PLATING		SCALE: 0.500 DO NOT SCALE DRAWING OR CHANGE MANUALLY
ECO: 106305	STATE: RELEASED	PART NAME: EBA3PED5JGT23A1	REVISION: 003	SHEET: 1 of 1
EATON CORPORATION - CONFIDENTIAL AND PROPRIETARY NOTICE TO PERSONS RECEIVING THIS DOCUMENT AND/OR TECHNICAL INFORMATION THIS DOCUMENT, INCLUDING THE DRAWING AND INFORMATION CONTAINED THEREON, IS CONFIDENTIAL AND IS THE EXCLUSIVE PROPERTY OF EATON CORPORATION, AND IS HEREBY ON LOAN AND SUBJECT TO RECALL BY EATON AT ANY TIME. BY TAKING POSSESSION OF THIS DOCUMENT, THE RECIPIENT ACKNOWLEDGES AND AGREES THAT THIS DOCUMENT CANNOT BE USED IN ANY MANNER ADVERSE TO THE INTERESTS OF EATON, AND THAT NO PORTION OF THIS DOCUMENT MAY BE COPIED OR OTHERWISE REPRODUCED WITHOUT THE PRIOR WRITTEN CONSENT OF EATON. IN THE CASE OF CONFLICTING CONTRACTUAL PROVISIONS, THIS NOTICE SHALL GOVERN THE STATUS OF THIS DOCUMENT. © 2008 Eaton Corporation - All Rights Reserved.				