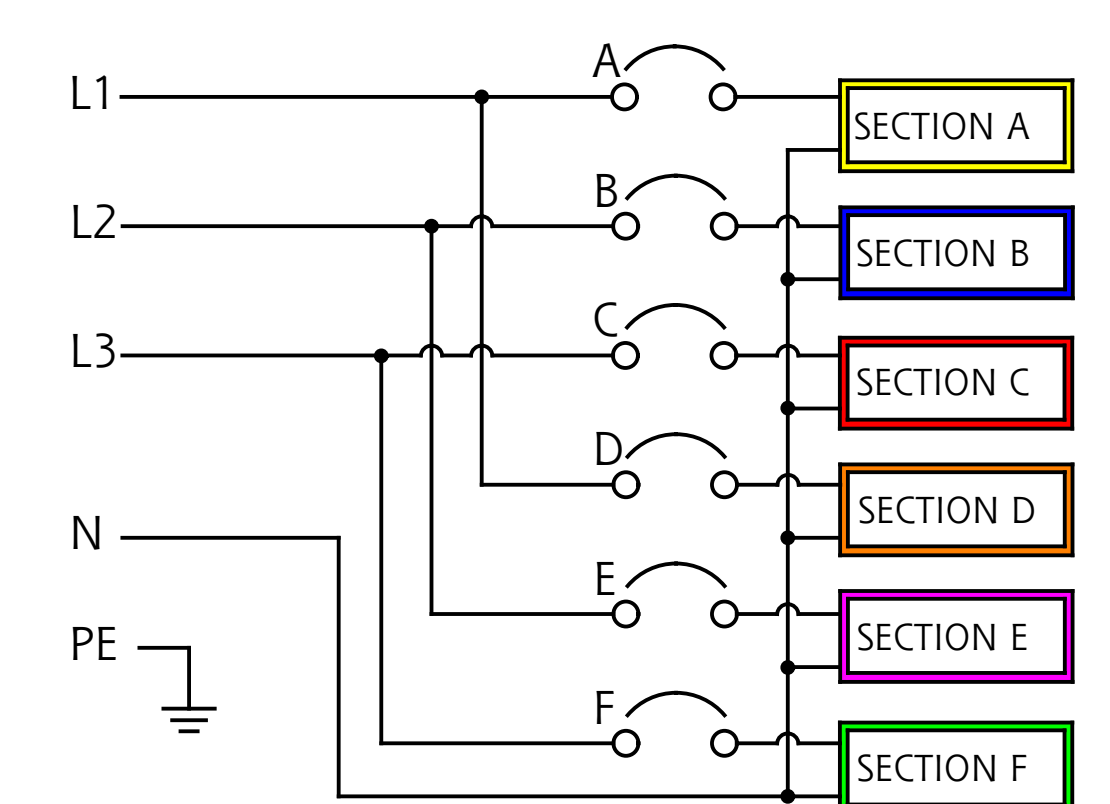
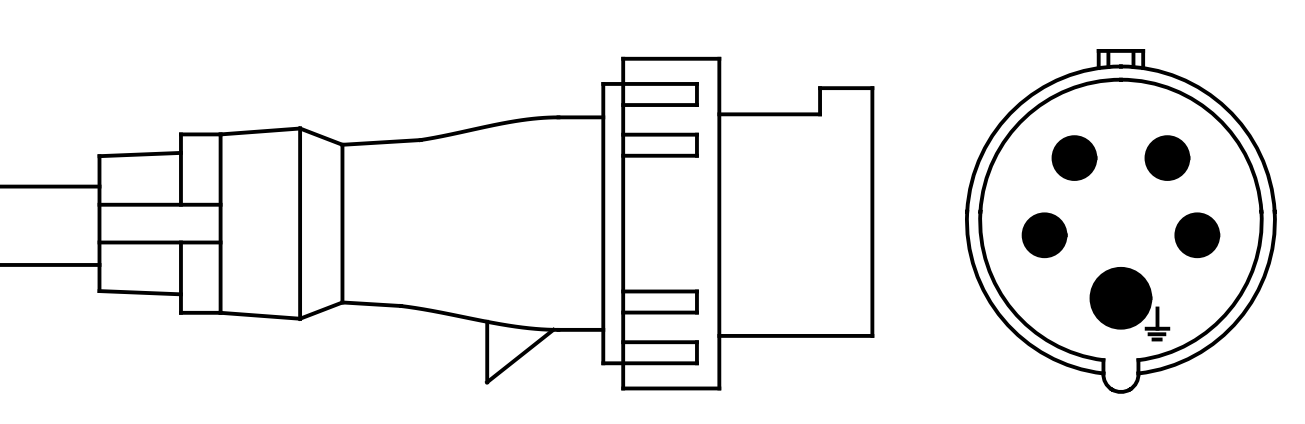
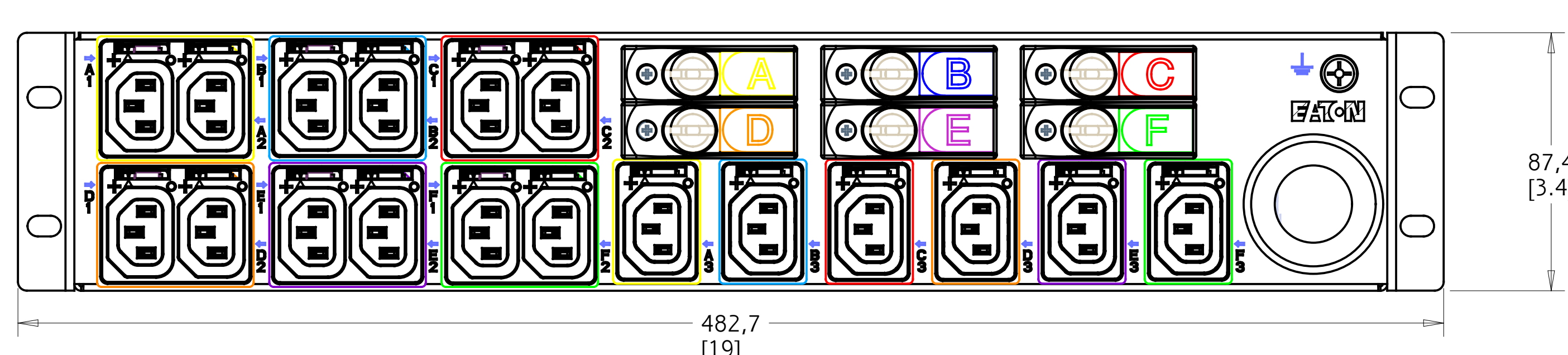
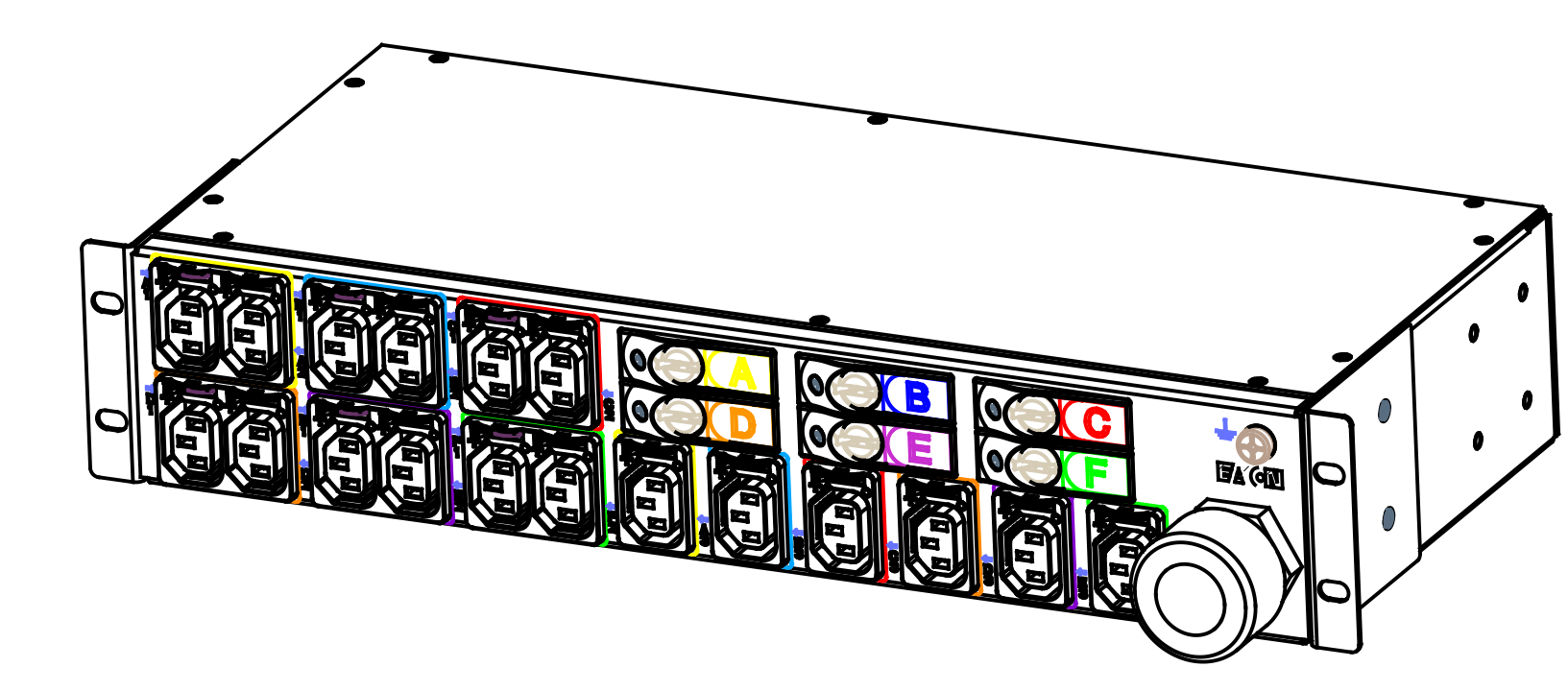
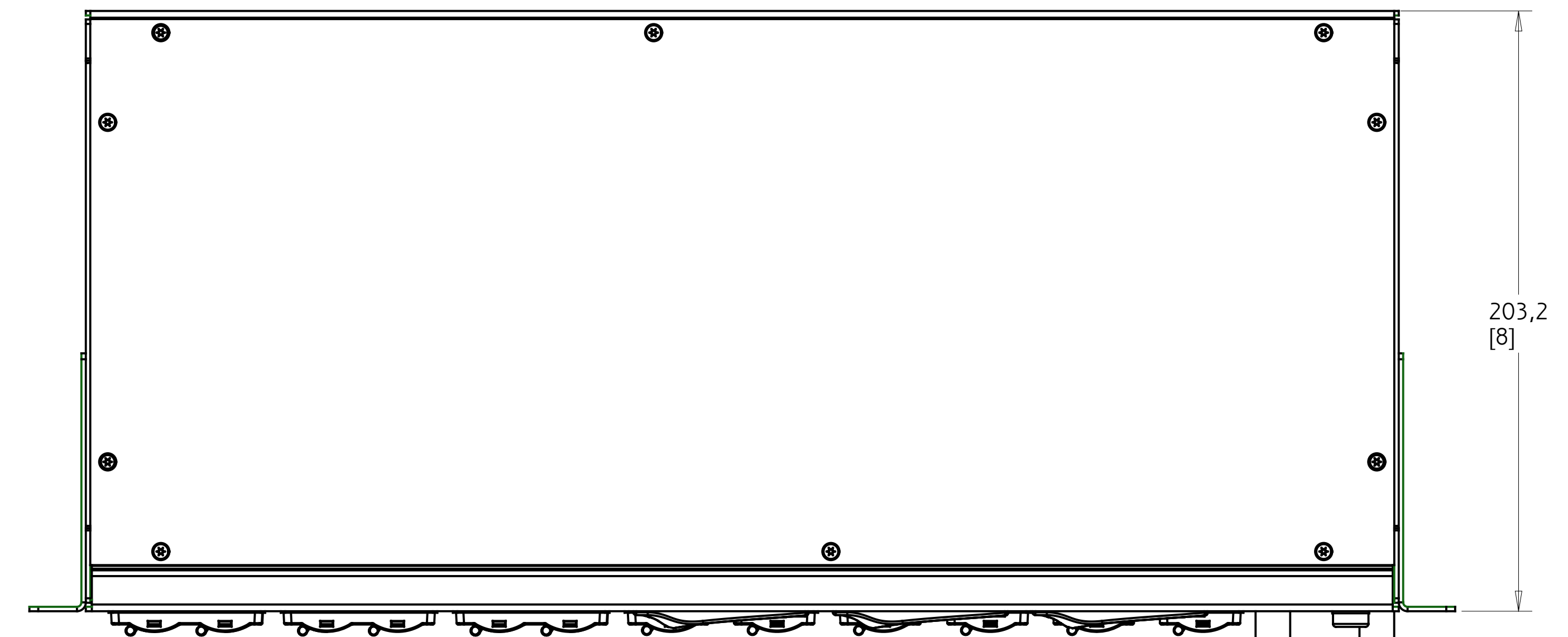
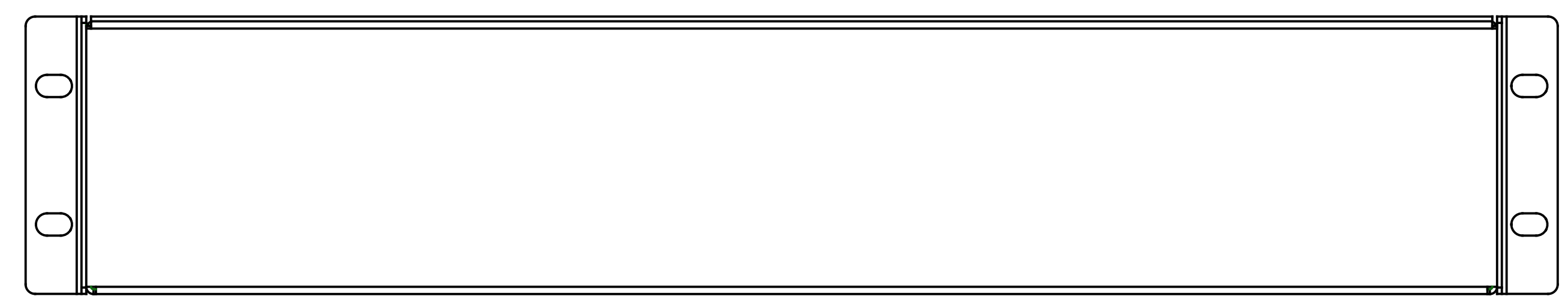


| REV | ECO No. | REVISION | DR | CK | AP | DATE |
|-----|---------|--------------------------|------|----|----|------------|
| 001 | 106305 | RELEASED | J.O. | | | 10 AUG 16 |
| 002 | 108129 | ADDED EATON LOGO | RS | | | 31 AUG 16 |
| 003 | 109479 | REVISED HEIGHT TOLERANCE | RS | | | 27 SEPT 16 |



EBAU26-10 G3 BASIC

| | | | |
|--|--|--|---|
| FUNCTIONALITY | INPUT | OUTPUT | ENVIRONMENTAL |
| POWER DISTRIBUTION | IEC 60309 532P6 PLUG UL/HAR DUAL-APPROVED CORD 10AWG / 5C AND 5x6mm 10FT LENGTH | (18) IEC 60320 C13 GRIP OUTLETS | 32° TO 140° F 0° TO 60° C |
| MECHANICAL | INPUT RATING | OUTPUT RATING | CERTIFICATIONS |
| 3.44" (87.4mm) HEIGHT 19.00" (482.7mm) WIDTH 8.00" (203.2mm) DEPTH STEEL CHASSIS, BLACK | 200-240 / 346-415 V~ 3W+N+PE 24A UL, 32A CE/DEMKO 50/60HZ | 200-240 V~ 10A PER C13 16A MAX PER SECTION 24A UL, 32A CE/DEMKO PER PHASE | UL, CE AND DEMKO |
| CIRCUIT BREAKERS | FILTER AND SPIKE/SURGE | ACCESSORIES | CONFIGURATION |
| (6) 20A 1-POLE UL LISTED 10KA INTERRUPT CURRENT | NONE | INCLUDED SPK021 - INSTALLATION | EBA3DJK5TKE23A1 SERIAL NUMBER B681 _____ |

| METRIC | | EATON CORPORATION, ELECTRICAL | | SIZE D |
|--|--------------------|--|---------------|---|
| DESCRIPTION: ePDU SPECIFICATION DRAWING FOR EBA3DJK5TKE23A1 | | | | |
| MODIFIED BY: J. OSBORNE | DATE: 26 JULY 2016 | UNLESS OTHERWISE SPECIFIED TOLERANCES ON DIMENSIONS ARE: ANGLES: ±1/2° DECIMALS: 0.X (FOR X < 3) ±1 HOLES: Ø±0.13 DIA: ±0.25 X (FOR X > 3); ±2.5 DIMENSIONS ARE IN MILLIMETERS (INCHES) AND AFTER PLATING | | SCALE: 0.500 DO NOT SCALE DRAWING OR CHANGE MANUALLY |
| ECO: 106305 | STATE: RELEASED | PART NAME: EBA3DJK5TKE23A1 | REVISION: 003 | SHEET: 1 of 1 |
| PRO-ENGINEER GENERATED | | | | |
| EATON CORPORATION - CONFIDENTIAL AND PROPRIETARY NOTICE TO PERSONS RECEIVING THIS DOCUMENT AND/OR TECHNICAL INFORMATION THIS DOCUMENT, INCLUDING THE DRAWING AND INFORMATION CONTAINED THEREON, IS CONFIDENTIAL AND IS THE EXCLUSIVE PROPERTY OF EATON CORPORATION, AND IS HEREBY LOANED AND SUBJECT TO RECALL BY EATON AT ANY TIME. BY TAKING POSSESSION OF THIS DOCUMENT, THE RECIPIENT ACKNOWLEDGES AND AGREES THAT THIS DOCUMENT CANNOT BE USED IN ANY MANNER ADVERSE TO THE INTERESTS OF EATON, AND THAT NO PORTION OF THIS DOCUMENT MAY BE COPIED OR OTHERWISE REPRODUCED WITHOUT THE PRIOR WRITTEN CONSENT OF EATON. IN THE CASE OF CONFLICTING CONTRACTUAL PROVISIONS, THIS NOTICE SHALL GOVERN THE STATUS OF THIS DOCUMENT. © 2008 Eaton Corporation - All Rights Reserved. | | | | |