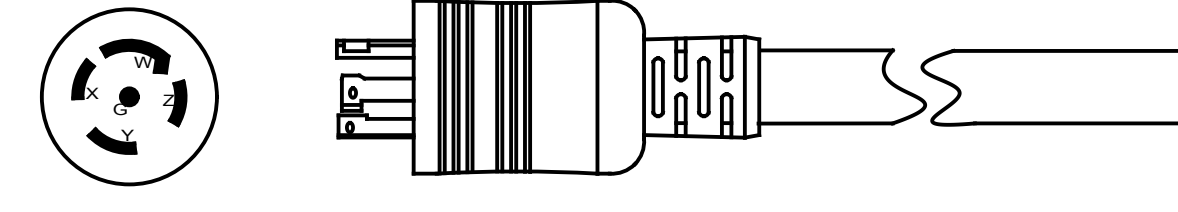
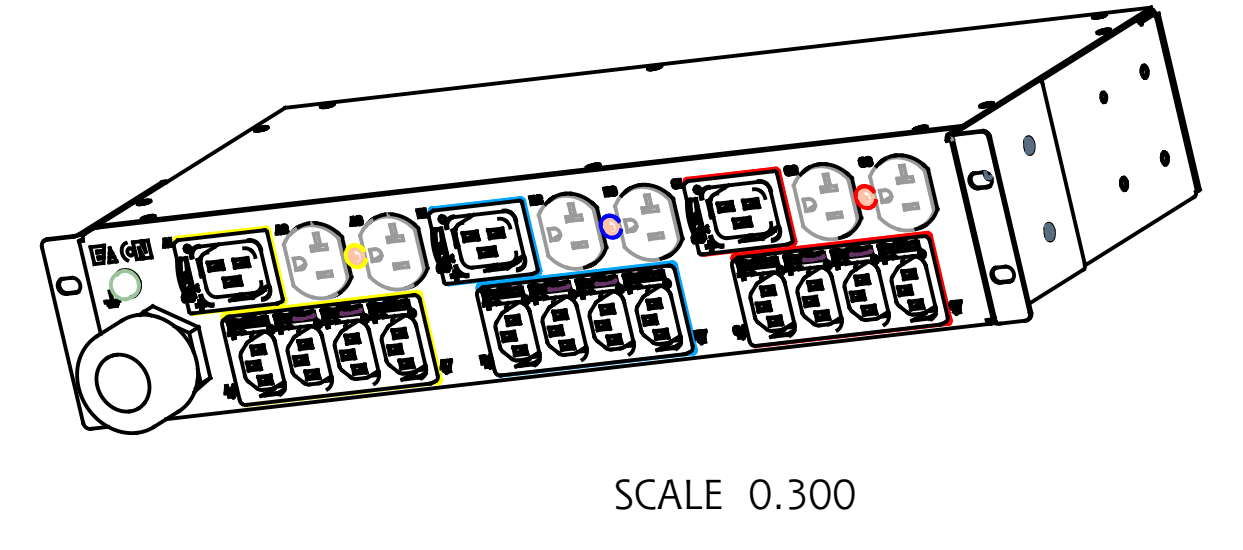
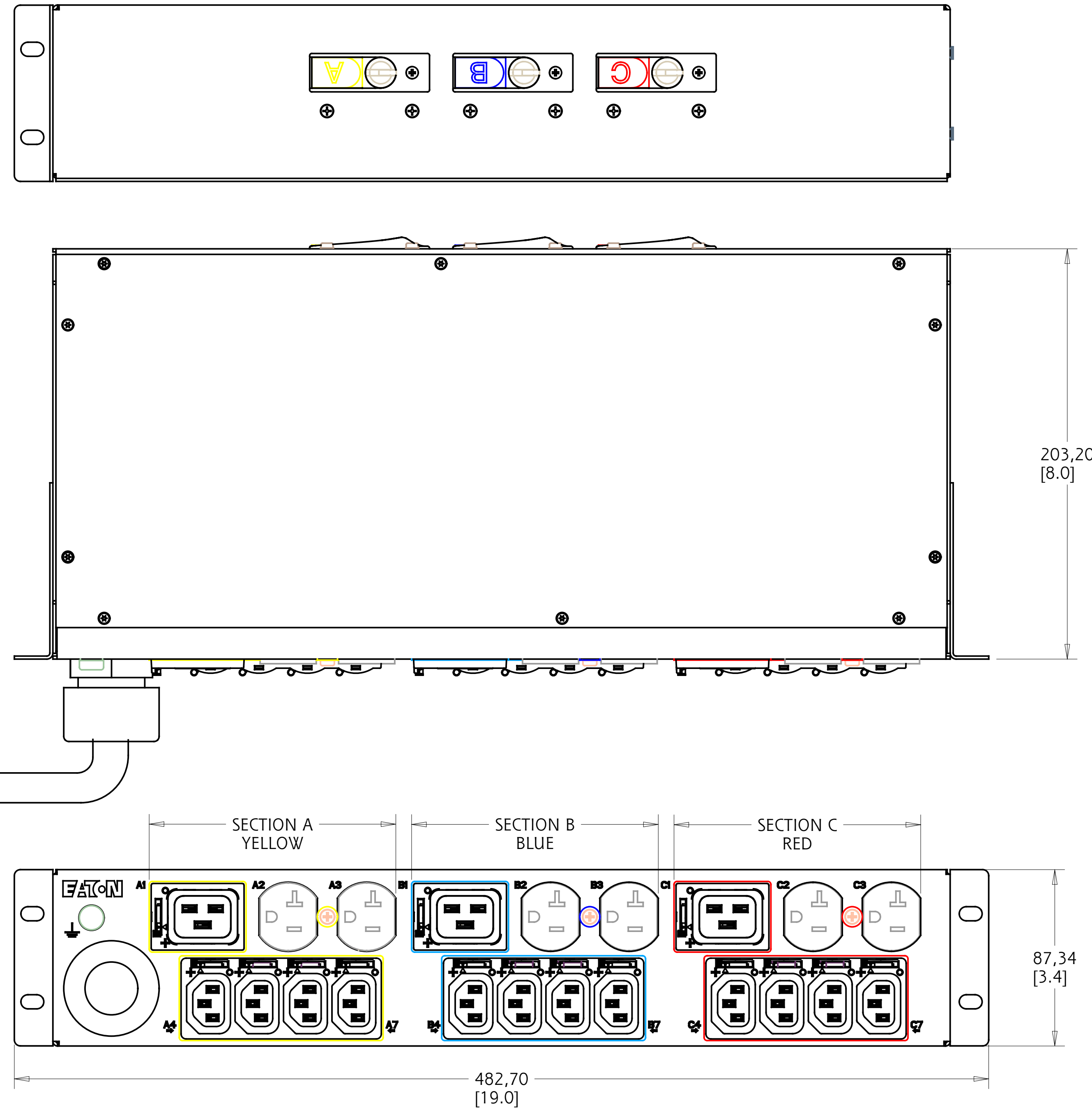
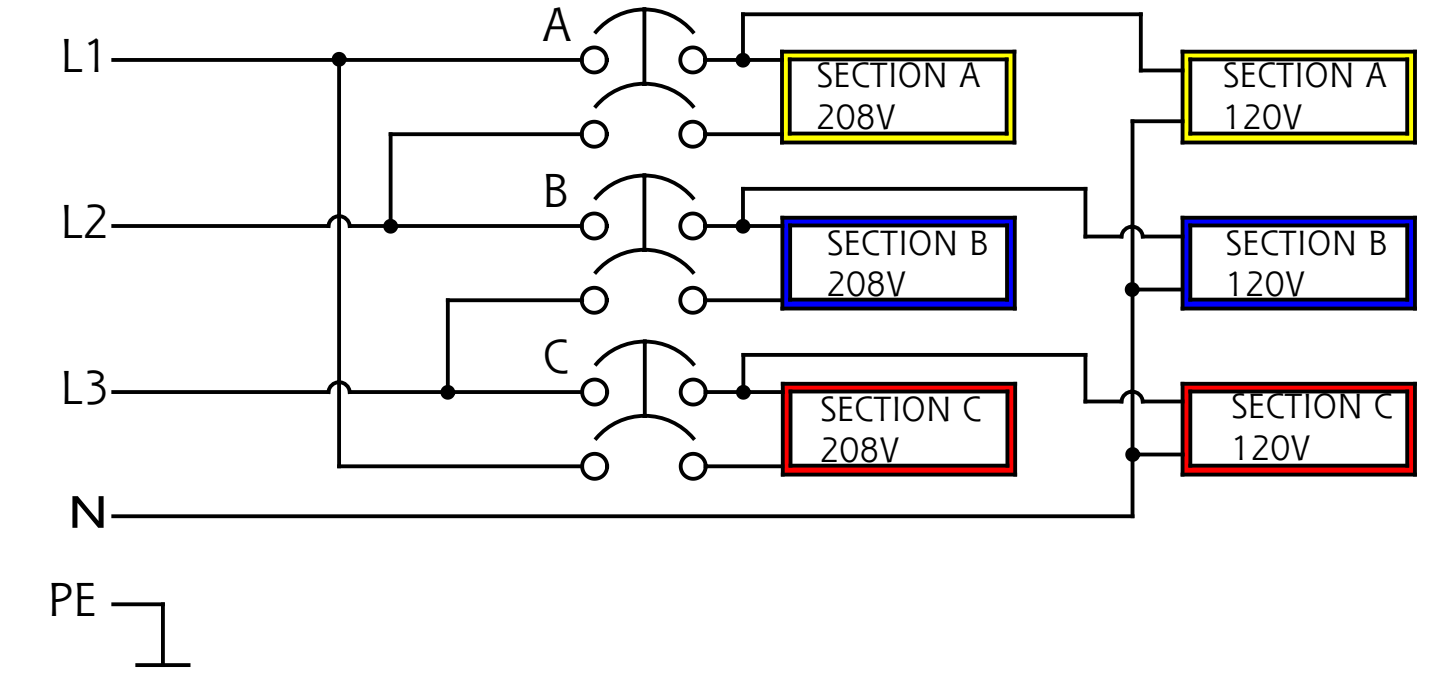


REV	ECO No.	REVISION	DR	CK	AP	DATE
001	100412	ENGINEERING RELEASE	RS			27 APR 16
002	103217	ADDED UL MARKING	RS			26 MAY 16



EBAU14-10 G3 BASIC

FUNCTIONALITY	INPUT	OUTPUT	ENVIRONMENTAL
POWER DISTRIBUTION	NEMA L21-30 PLUG 10FT 10AWG / 5C POWERCORD	(6) NEMA 5-20R (12) IEC60320 C13 GRIP (3) IEC 60320 C19 GRIP	32° TO 140° F 0° TO 60° C
MECHANICAL	INPUT RATING	OUTPUT RATING	CERTIFICATIONS
19.00" (482.7mm) WIDTH 3.44" (87.34mm) HEIGHT 8.00" (203.2mm) DEPTH STEEL BLACK CHASSIS	120/208V ~ 3W + N + PE 24A 50/60HZ	100-127V ~ ; 16APER 5-20R 200-240V ~ ; 15A PER C13, 16A PER C19 16A MAX PER SECTION 24A MAX PER PHASE	
CIRCUIT BREAKERS	FILTER AND SPIKE/SURGE	ACCESSORIES	CONFIGURATION
(3) 20A 2-POLE UL LISTED	NONE	INCLUDED SPK021 - INSTALLATION	EBAU14-10 SERIAL NUMBER B681 _____



METRIC		EATON CORPORATION, ELECTRICAL		EATON		SIZE D
DESCRIPTION: ePDU G3 SPECIFICATION FOR EBAU14-10						
MODIFIED BY: R. SIEGFRIED	DATE: 27 APR 16	UNLESS OTHERWISE SPECIFIED TOLERANCES ON DIMENSIONS ARE: ANGLES: ±1/2° HOLES: ±0.13			SCALE: 0.600 DO NOT SCALE DRAWING OR CHANGE MANUALLY	
ECO: 100412	STATE: RELEASE	DIMENSIONS ARE IN MILLIMETERS (INCHES) AND AFTER PLATING			REVISION: 002 SHEET: 1 of 1	
PRO-ENGINEER GENERATED		PART NAME: EBA3PDB5JFP23A1		REVISION: 002		SHEET: 1 of 1
EATON CORPORATION - CONFIDENTIAL AND PROPRIETARY NOTICE TO PERSONS RECEIVING THIS DOCUMENT AND/OR TECHNICAL INFORMATION THIS DOCUMENT, INCLUDING THE DRAWING AND INFORMATION CONTAINED THEREON, IS CONFIDENTIAL AND IS THE EXCLUSIVE PROPERTY OF EATON CORPORATION AND IS SUBJECT TO RECALL BY EATON AT ANY TIME. BY TAKING POSSESSION OF THIS DOCUMENT, THE RECIPIENT ACKNOWLEDGES AND AGREES THAT THIS DOCUMENT CANNOT BE USED IN ANY MANNER ADVERSE TO THE INTERESTS OF EATON, AND THAT NO PORTION OF THIS DOCUMENT MAY BE COPIED OR OTHERWISE REPRODUCED WITHOUT THE PRIOR WRITTEN CONSENT OF EATON. IN THE CASE OF CONFLICTING CONTRACTUAL PROVISIONS, THIS NOTICE SHALL GOVERN THE STATUS OF THIS DOCUMENT. © 2008 Eaton Corporation - All Rights Reserved.						