

RM3-300 Series Rectifier Magazine



The **Eaton® RM3-300 rectifier magazine** is a versatile and compact 1U high, 19-inch modular power shelf. It can accommodate both the Enterprise and Access series of Eaton 3G and Energy Saver (ES) rectifiers and can be configured for up to 3 rectifiers or, 2 rectifiers and a system controller.

The RM3-300 series has an output capacity of up to 150A (actual output is dependent on the rectifier model fitted). Both the top-entry AC cords and air exhaust airflow allow the RM3 to mount in limited depth of space applications.

The DC output is via a field wiring termination box to provide an easily accessed connection (take-off) point for flexible cables.

Independent AC supply to each rectifier position is via plug & cord sets where country and voltage specific sets are available upon request.

The RM3-300 series is suitable for both 600mm and 300mm deep cabinets and includes mounting brackets that can be moved along the chassis to provide a wide range of mounting position options.

Features

- 48V or 24V
- 19-inch cabinet mounting
- Compact 1U height, 150A output
- Suitable for Enterprise and Access 3G power rectifiers including Energy Saver Rectifier
- Independent AC input to each rectifier
- Compliance with international standards



Powering Business Worldwide



Technical Specifications

Input

AC Supply	1Ø or 2Ø via individual cord sets
-----------	-----------------------------------

Output

DC Output	24V: up to 150A 48V: up to 125A (dependent on rectifiers fitted) Interconnecting busbars with flexible cable take-off (field wire-able).
-----------	--

Mechanical

Dimensions H,W,D	Standard: 1U*, 19", 298mm [11.7"] <i>* Additional clear space is required for exhaust air and top AC cable entry at the rear.</i>
------------------	--

Weight	3.9kg [8.6lb] including AC cable sets.
--------	--

Rectifier Configurations	3 x EPR48-3G / APR48-3G / APR24-3G / APR48-ES 2 x EPR48-3G / APR48-3G / APR24-3G / APR48-ES plus system controller
--------------------------	---

Options	Rectifier cover for unused rectifier positions (RM3B-A01). AC cord sets - country/voltage specific. 23" mounting brackets.
---------	--

Versions	RM3-300 series (3 rectifiers, no system controller) RM3-310 series (2 rectifiers, SC300 system controller) RM3-320 series (2 rectifiers, SC300 system controller)
----------	---

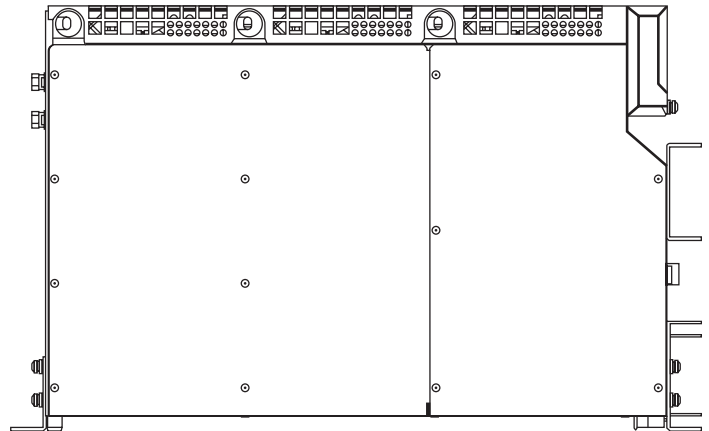
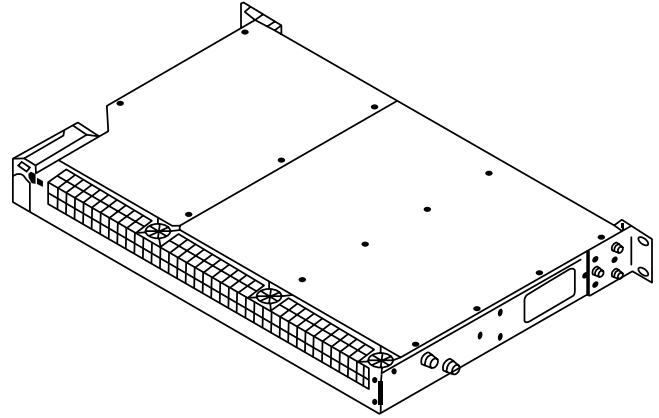
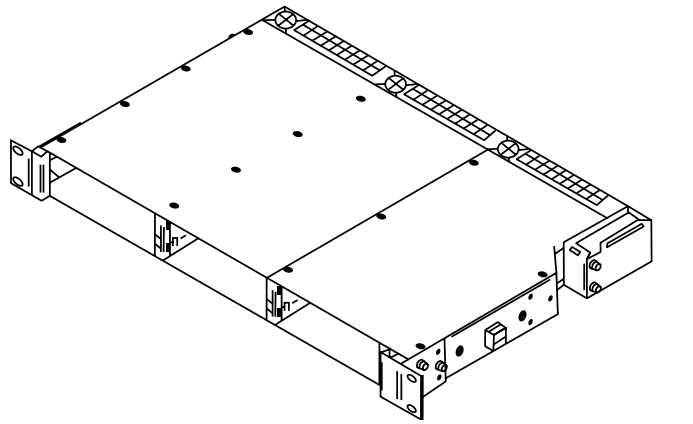
Certifications

All products comply with international standards. Contact your local Eaton DC representative for details on the specific product versions available with these safety and EMC approvals:

Europe	CE
--------	----

In the interests of continual product improvement all specifications are subject to change without notice.

Email: dc.info@eaton.com
www.eaton.com/dcpowersolutions



Eaton
EMEA Headquarters
Route de la Longeraie 7
1110 Morges, Switzerland
Eaton.com

© 2022 Eaton
All Rights Reserved
Publication No. PS154017EN
March 2022

Eaton, CellSure, SiteSure, DCTools and PowerManager are trade names, trademarks, and/or service marks of Eaton Corporation or its subsidiaries and affiliates. All other trademarks are property of their respective owners.

Eaton is a registered trademark.

All other trademarks are property of their respective owners.

Follow us on social media to get the latest product and support information.

