

Powerware Series

**Eaton® 9395 UPS**  
**650–825 kVA**  
**Single-Feed Kit Installation Instructions**



*Powering Business Worldwide*

# Eaton 9395 UPS (650–825 kVA) Single-Feed Kit Installation



**NOTE** Refer to the applicable installation and operation manual supplied with the UPS during installation.



## WARNING

Installation should be performed only by qualified personnel.

To install the single-feed kit:

1. If not already accomplished, remove one top screw and two bottom screws securing each ISBM section left and right front panel (refer to the applicable Eaton 9395 UPS manual for panel location). Lift the panels straight up to remove them from the panel hanger brackets at the top of the cabinet.
2. If not already accomplished, remove the screws securing the top and bottom internal safety shield panels and remove the panels to gain access to the rectifier and bypass input terminals. Retain the hardware for later use.
3. Using M12 hardware from the UPS external wiring terminal hardware kit, install the single-feed bus bar extensions (see Table 1) onto the back side of the rectifier input bus bars (see Figure 1). Mount the extension bar using the two rear holes on the bus bar. Tighten the bolts to the torque values in Table 2.
4. Using M12 hardware from the UPS external wiring terminal hardware kit, install the single-feed jumper cables from the kit (see Table 1) between the rectifier input bus bar extension and the bypass input terminal (see Figure 1). Verify each rectifier phase terminal is jumpered to the same phase on the bypass terminal. Use the two bottom rear holes on the bus bar extensions and bypass input bus bars. Tighten the bolts to the torque values listed in Table 2.

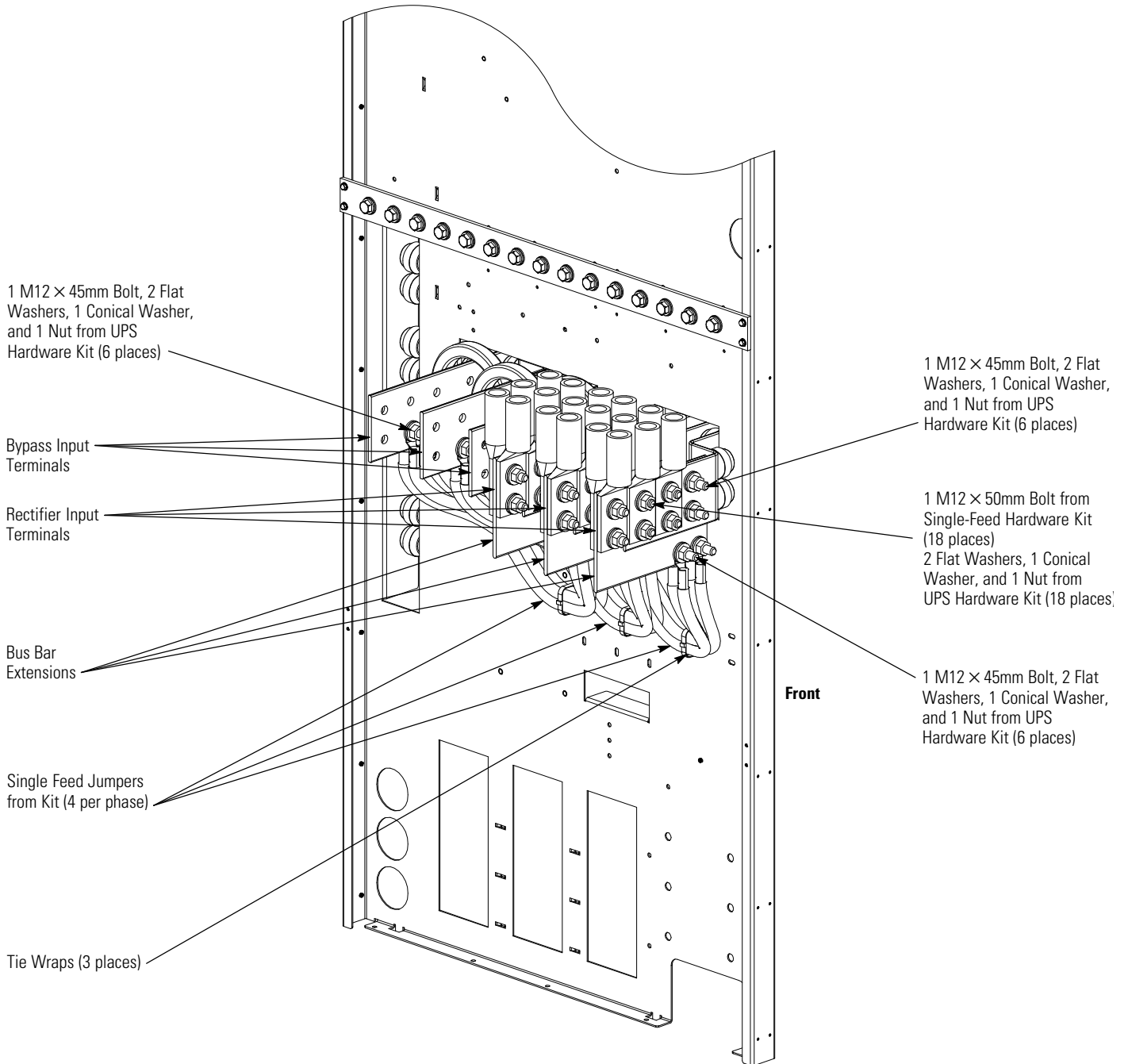
**Table 1. Supplied Terminal Hardware**

Part	Size	Quantity	Terminals Used On	Eaton Part Number
Jumper Cable	N/A	12 (4 per phase)	Rectifier and Bypass Input	152602718 (wire kit with 12 cables)
Bus Bar Extension	N/A	3	Rectifier Input	119201546
Bolt, Grade 5	M12 × 50 mm	18	Rectifier and Bypass Input	180190078-115
Tie Wrap	0.30" W × 14.5" L	6	Jumper Cables	152201082

**Table 2. Single-Feed Power Cable Terminations**

Terminal Function	Terminal	Function	Bus Landing	Tightening Torque Nm (lb ft)	Bolt Size
Bus Bar Extension	E1	Phase A	2 – 1 bolt mounting	76 (56)	M12
	E2	Phase B	2 – 1 bolt mounting	76 (56)	M12
	E3	Phase C	2 – 1 bolt mounting	76 (56)	M12
Rectifier Input	E1	Phase A	2 – 1 bolt mounting	76 (56)	M12
	E2	Phase B	2 – 1 bolt mounting	76 (56)	M12
	E3	Phase C	2 – 1 bolt mounting	76 (56)	M12
Bypass Input	E6	Phase A	2 – 1 bolt mounting	76 (56)	M12
	E7	Phase B	2 – 1 bolt mounting	76 (56)	M12
	E8	Phase C	2 – 1 bolt mounting	76 (56)	M12

5. Using tie wraps from the single-feed kit (see Table 1), secure cables to the internal cabinet divider (see Figure 1).
6. Return to the applicable Eaton 9395 UPS manual to complete the wiring. Use M12 × 50mm bolts from the single-feed kit (see Table 1) to install rectifier input lugs.



- NOTE** Install bus bar extensions to back side of rectifier input bus bars to provide clearance for bolts and wires.
- NOTE** Verify each rectifier phase terminal is jumpered to the same phase on the bypass terminal.
- NOTE** Install rectifier input lugs using M12 × 50mm bolts from the single-feed kit.

**Figure 1. 9395 650–825 kVA UPS Single-Feed Kit**



164201773 2