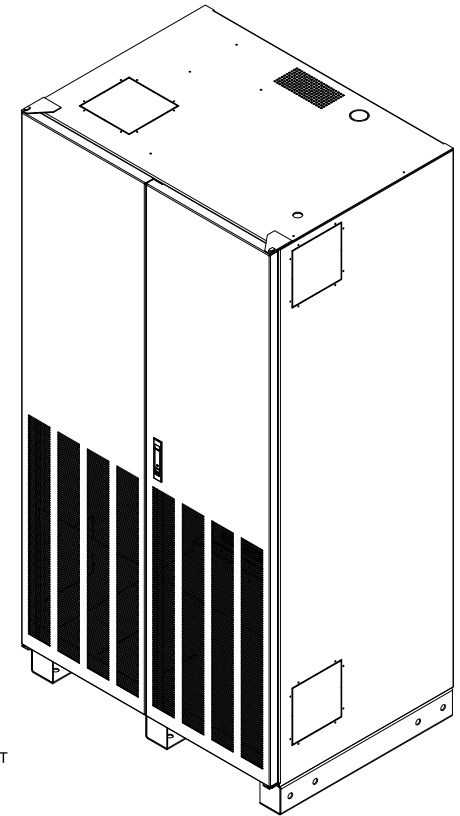
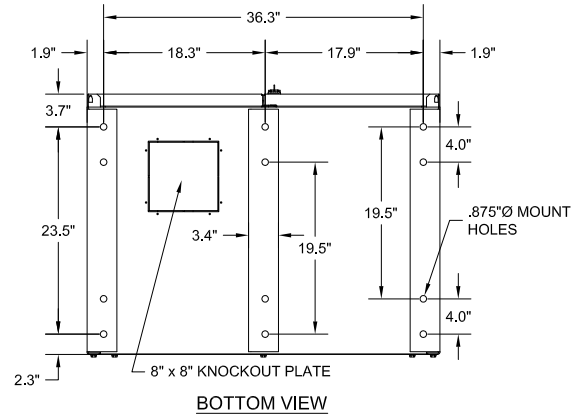
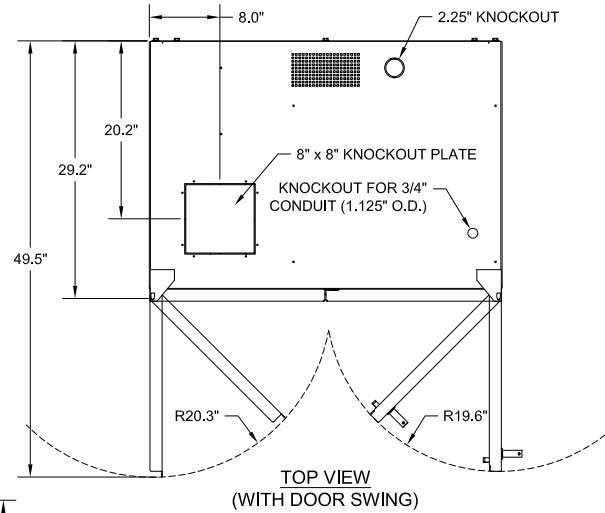
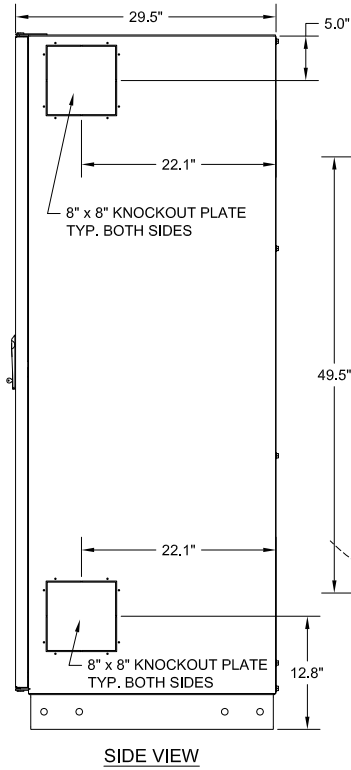


MOUNTING PAN FOR BREAKER, FUSES, TERMINAL BLOCKS, AND GROUND LUG.



- NOTES:**
EMPTY CABINET WEIGHT: 520 LBS
1. NEMA 1 ENCLOSED BATTERY CABINET.
 2. FACTORY ASSEMBLED CABINETS ARE LISTED TO UL 1778.
 3. HEAVY GAUGE WELDED STEEL CONSTRUCTION.
 4. AVAILABLE IN MULTIPLE COLORS OF DURABLE CHIP AND CORROSION RESISTANT POWDER COAT FINISH.
 5. A MINIMUM REAR CLEARANCE OF 2" IS RECOMMENDED FOR OPTIMAL COOLING OF THE EQUIPMENT.
 6. FOR EASE OF CONDUIT INSTALLATION, (1) 8" X 8" CONDUIT PLATE IS PROVIDED TO REPLACE A KNOCKOUT IN THE CABINET.
 7. BATTERIES CAN BE ACCESSED FROM THE FRONT AND REAR.
 8. CABINET CAN BE MOVED WITH PALLET JACK OR FORK LIFT AT PALLET JACK ACCESS POINTS LOCATED AT FRONT OR REAR OF CABINET. FROM THE SIDES, THE CABINET CAN BE MOVED WITH ROL-A-LIFT TYPE EQUIPMENT MOVER. THE CABINET IS ONLY TO BE LIFTED FROM THE BOTTOM.
 9. THE BC55S BATTERY CABINET (OPTIONAL CONFIGURATION) HAS BEEN CERTIFIED TO MEET THE 2012 EDITION OF THE INTERNATIONAL BUILDING CODE (IBC) AND THE 2013 EDITION OF THE CALIFORNIA BUILDING CODE (CBC) TO MEET DESIGN CATEGORY F, SS = 2.0 AND IMPORTANCE FACTOR 1.5.

**BC55 BATTERY CABINET
MECHANICAL DRAWING**

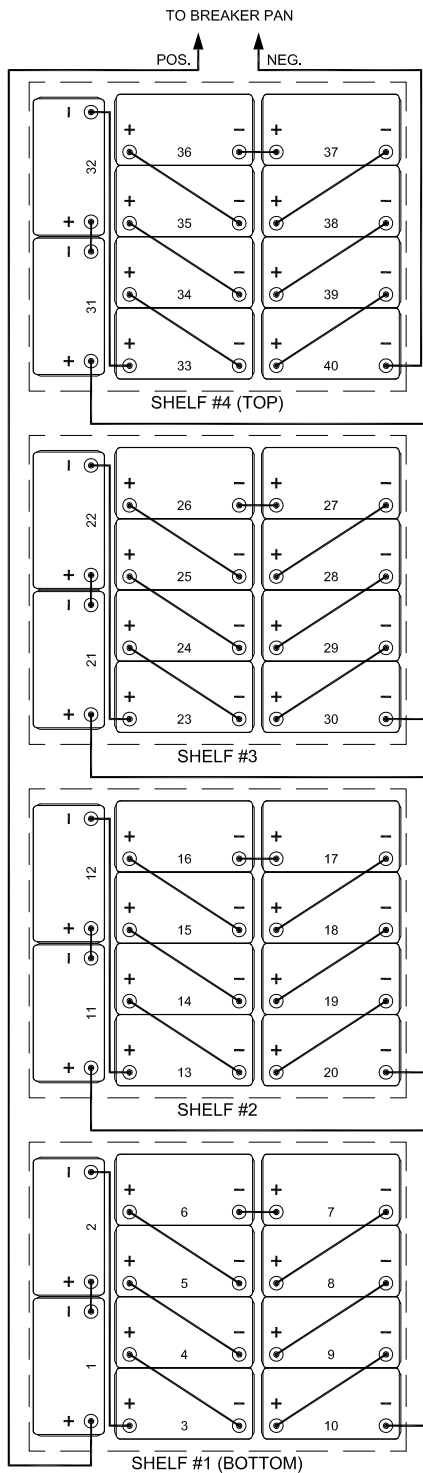
THE INFORMATION CONTAINED IN THIS DRAWING IS THE SOLE PROPERTY OF C&C POWER, INC. ANY REPRODUCTION WITHOUT THE WRITTEN CONSENT OF C&C POWER, INC IS PROHIBITED.

DIMENSIONS ARE IN INCHES		INITIALS	DATE
TOLERANCES:	DECIMALS:	DRAWN	JRL 01/29/2016
ANGLES:	±1"	CHECKED	CH 01/29/2016
SCALE:	SIZE:	REV:	9
NTS	A		

SHEET 1 OF 2

C&C POWER
ENGINEERED POWER PRODUCTS
WWW.CCPower.COM

© 2016 C&C POWER, INC.
ALL RIGHTS RESERVED



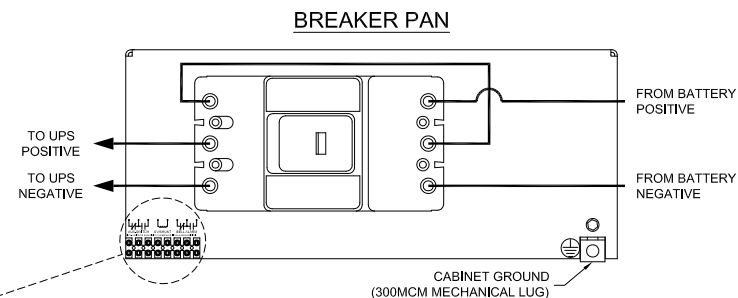
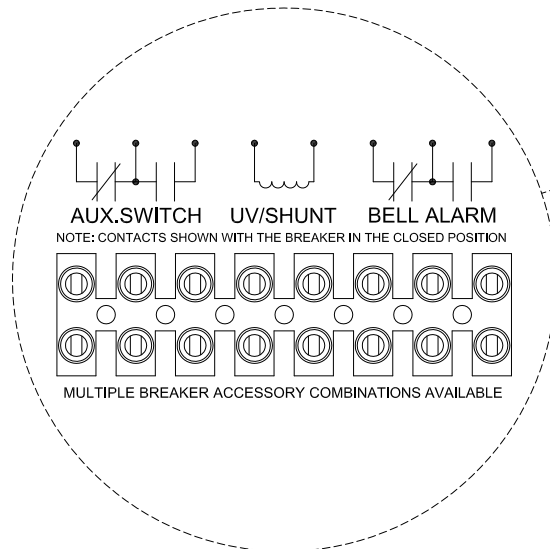
480 VDC TYPICAL WIRING

NOTES:

1. ALL INTERNAL WIRING IS UL LISTED, MTW, STYLE, 105C, EXTRA FLEXIBLE CABLE.
2. BREAKER IS UL LISTED.
3. CABINETS WITH BREAKERS ARE SHIPPED WITH BREAKER IN THE OFF/OPEN POSITION.
4. CABINETS ARE SHIPPED WITH BATTERY JUMPER REMOVED TO BREAK STRING VOLTAGE FOR ADDED SAFETY IN SHIPPING.
5. THE TERMINAL BLOCKS ARE UL RECOGNIZED, 600V RATED.
6. CABLES FROM BATTERY CABINET TO UPS SYSTEM ARE OPTIONAL.
7. GROUND CONNECTION IS #6-300MCM MECHANICAL LUG.

BATTERY CONFIGURATIONS

<u>WPC CAPACITY</u>	<u>MAXIMUM NUMBER OF BATTERIES</u>
200 W	80
300 W	48
350 W	40
400 W	40
500 W	40
540 W	40
620 W	40



**BC55 BATTERY CABINET
ELECTRICAL DRAWING**

THE INFORMATION CONTAINED IN THIS DRAWING IS THE SOLE PROPERTY OF C&C POWER, INC. ANY REPRODUCTION WITHOUT THE WRITTEN CONSENT OF C&C POWER, INC IS PROHIBITED.			
DIMENSIONS ARE IN INCHES	INITIALS	DATE	
TOLERANCES:	DRAWN JRL	01/29/2016	
DECIMALS: .XX ±.13	CHECKED CH	01/29/2016	
ANGLES: ±1°			
SCALE: NTS	SIZE: A	REV: 8	SHEET 2 OF 2

C&C POWER
ENGINEERED POWER PRODUCTS
 WWW.CCPOWER.COM
 © 2016 C&C POWER, INC.
 ALL RIGHTS RESERVED