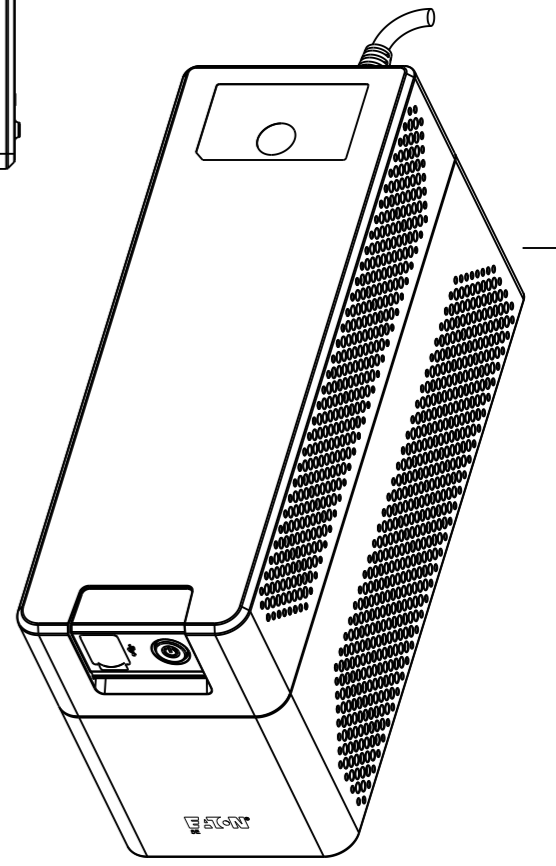
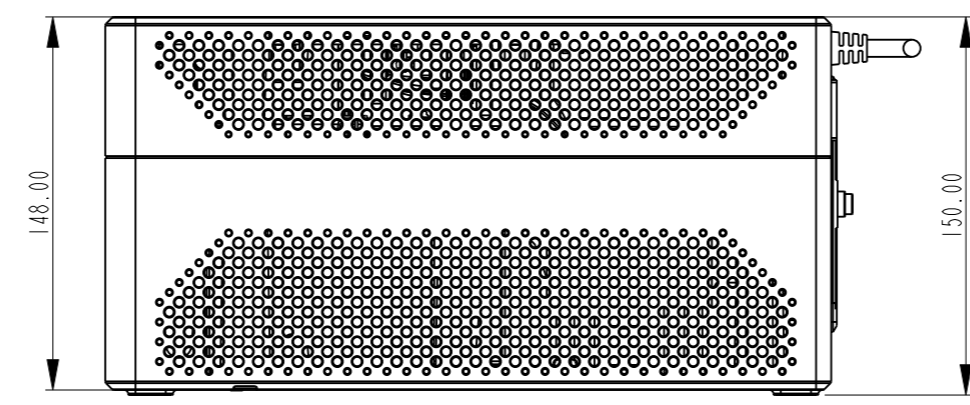
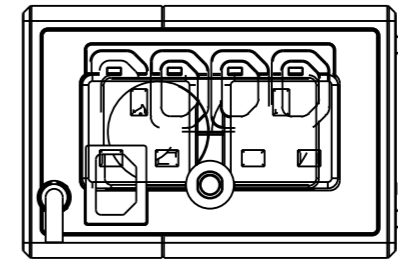
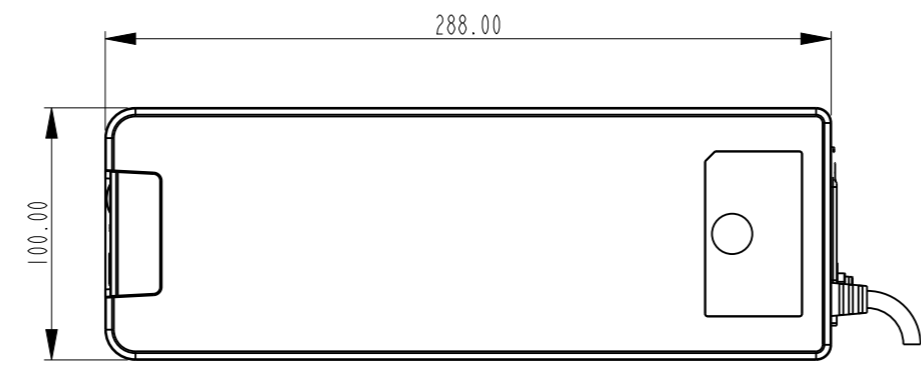
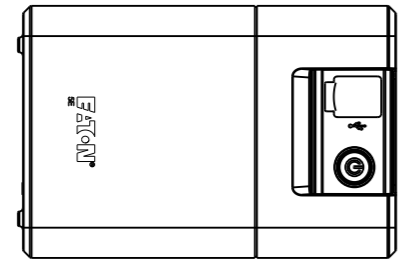
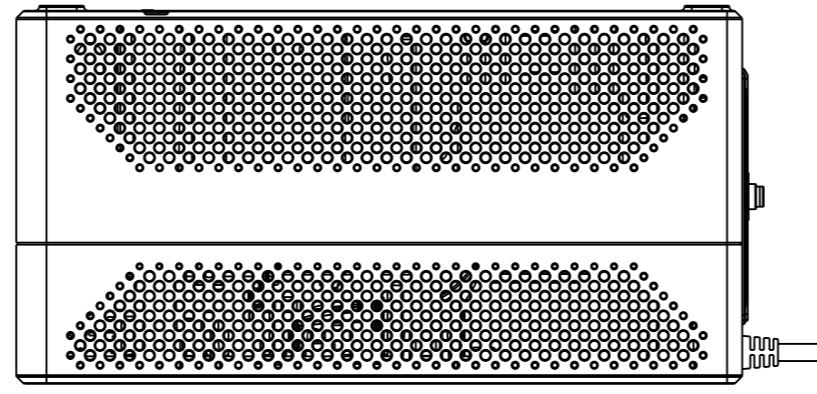


REV	DATE	ECO-CODE	MODIFICATION	PREPARED	APPROVED
00	28-Mar-2023		FIRST ISSUE	Yang, Xinwei	Su, Xin



9C00-53257	Eaton 5E 900 USB IEC G2 with USB Cable
9C00-53256	Eaton 5E 700 USB IEC G2 with USB Cable
9C00-53255	Eaton 5E 700 BS G2
9C00-53254	Eaton 5E 700 FR G2
9C00-53253	Eaton 5E 700 DIN G2
9C00-53252	Eaton 5E 900i USB EA G2
9C00-53251	Eaton 5E 900 USB AU G2
9C00-53250	Eaton 5E 700i USB EA G2
9C00-53249	Eaton 5E 700 USB AU G2
9C00-53248	Eaton 5E 700 IEC G2
9C00-53247	Eaton 5E 900 USB IEC G2
9C00-53246	Eaton 5E 900 USB FR G2
9C00-53245	Eaton 5E 900 USB DIN G2
9C00-53244	Eaton 5E 900 USB BS G2
9C00-53243	Eaton 5E 700 USB IEC G2
9C00-53242	Eaton 5E 700 USB FR G2
9C00-53241	Eaton 5E 700 USB DIN G2
9C00-53240	Eaton 5E 700 USB BS G2
9C00-43371	Eaton 5E 550 IEC G2
PART NO.	DESCRIPTION

METRIC		EATON CORPORATION			
DIMENSIONS ARE IN MILLIMETERS AFTER PLATING. DIMENSIONS AND TOLERANCES IN ACCORDANCE WITH ASME Y14.5M-1994. SEE NOTES FOR TOLERANCES.					
DESCRIPTION:					
ORIGINATED:	Yang, Xinwei	28-Mar-2023	ECO:	NAME:	REVISION: 00
MODIFIED:	Yang, Xinwei	28-Mar-2023	DOCUMENT TYPE:	9C00-43371	STATE:
CHECKED:	Long, Peng	28-Mar-2023	PRO-E DRAWING	9C00-532XX	SIZE: A3
SAFETY:	Yuan, Rachell	28-Mar-2023			SCALE: 0.333
APPROVED:	Su, Xin	28-Mar-2023			SHEET: 1 OF 1

EATON CORPORATION - CONFIDENTIAL AND PROPRIETARY
 NOTICE TO PERSONS RECEIVING THIS DOCUMENT AND/OR TECHNICAL INFORMATION
 THIS DOCUMENT, INCLUDING THE DRAWING AND INFORMATION CONTAINED THEREON, IS CONFIDENTIAL AND IS THE EXCLUSIVE PROPERTY OF EATON CORPORATION, AND IS MERELY ON LOAN AND SUBJECT TO RECALL BY EATON AT ANY TIME. BY TAKING POSSESSION OF THIS DOCUMENT, THE RECIPIENT ACKNOWLEDGES AND AGREES THAT THIS DOCUMENT CANNOT BE USED IN ANY MANNER ADVERSE TO THE INTERESTS OF EATON AND THAT NO PORTION OF THIS DOCUMENT MAY BE COPIED OR OTHERWISE REPRODUCED WITHOUT THE PRIOR WRITTEN CONSENT OF EATON. IN THE CASE OF CONFLICTING CONTRACTUAL PROVISIONS, THIS NOTICE SHALL GOVERN THE STATUS OF THIS DOCUMENT.
 © 2011 Eaton Corporation - All Rights Reserved.