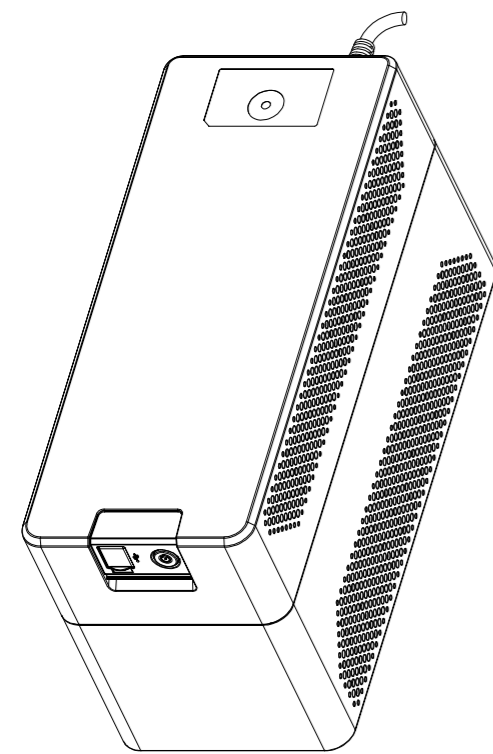
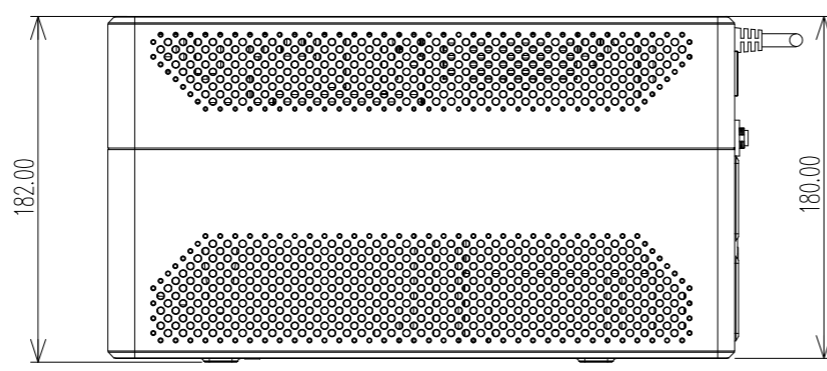
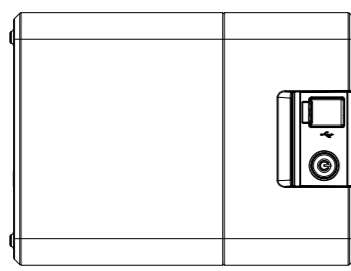
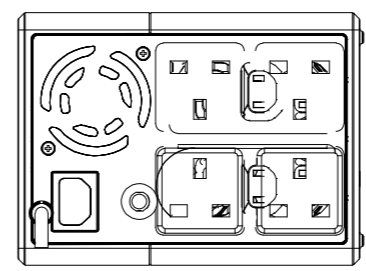
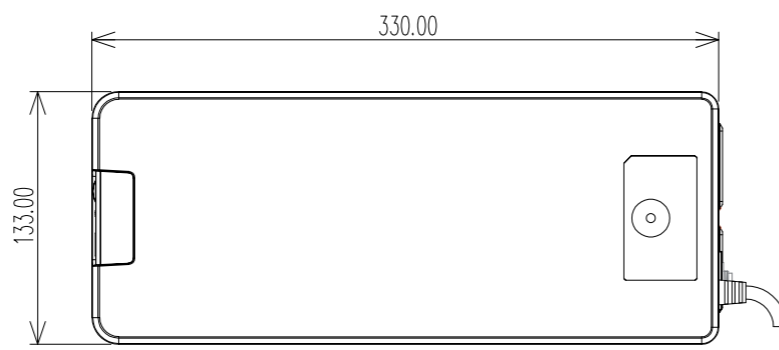
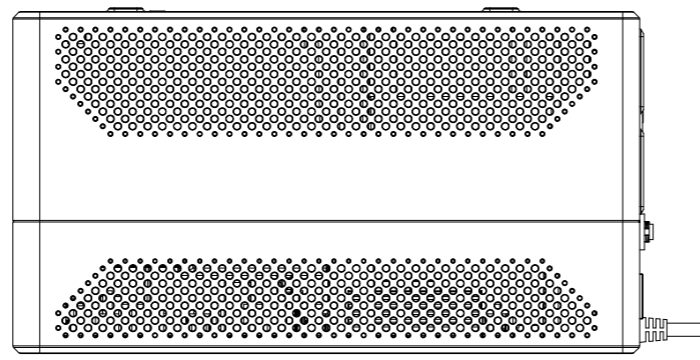


REV	DATE	ECO-CODE	MODIFICATION	PREPARED	APPROVED
00	27-Mar-2023		FIRST ISSUE	Yang, Xinwei	Su, Xin



9C00-83008	Eaton 5E 2200 USB AU G2
9C00-83010	Eaton 5E 2200 USB IEC G2 with USB cable
9C00-83009	Eaton 5E 2200i USB EA G2
9C00-83007	Eaton 5E 2200 USB IEC G2
9C00-73009	Eaton 5E 1600 USB AU G2
9C00-73007	Eaton 5E 1600 USB FR G2
9C00-73006	Eaton 5E 1600 USB DIN G2
9C00-73005	Eaton 5E 1600 USB BS G2
9C00-73011	Eaton 5E 1600 USB IEC G2 with USB cable
9C00-73010	Eaton 5E 1600i USB EA G2
9C00-73008	Eaton 5E 1600 USB IEC G2
9C00-63018	Eaton 5E 1200 USB AU G2
9C00-63016	Eaton 5E 1200 USB FR G2
9C00-63015	Eaton 5E 1200 USB DIN G2
9C00-63014	Eaton 5E 1200 USB BS G2
9C00-63020	Eaton 5E 1200 USB IEC G2 with USB cable
9C00-63019	Eaton 5E 1200i USB EA G2
9C00-63017	Eaton 5E 1200 USB IEC G2
PART NUMBER	DESCRIPTION

METRIC	THIRD ANGLE PROJECTION	EATON CORPORATION		EATON	
DIMENSIONS ARE IN MILLIMETERS AFTER PLATING, DIMENSIONS AND TOLERANCES IN ACCORDANCE WITH ASME Y14.5M-1994. SEE NOTES FOR TOLERANCES.					
DESCRIPTION:					
ORIGINATED:	Yang, Xinwei	27-Mar-2023	ECO:	NAME:	REVISION: 00
MODIFIED:	Yang, Xinwei	27-Mar-2023	DOCUMENT TYPE:	9C00-XXXXX	STATE:
CHECKED:	Li, Bo	27-Mar-2023	PRO-E DRAWING		SCALE:
SAFETY:	Yuan, Rachell	27-Mar-2023	APPROVED:	Su, Xin	27-Mar-2023
					SIZE: A3
					SCALE: 0.250
					SHEET: 1 OF 1

ITEM	TYPE	PART NUMBER	DESCRIPTION	MATERIAL	WEIGHT(Kg)/PCS	Q'TY	Q_UNIT	REMARK
TC-RDW-49-19	REV E							

EATON CORPORATION - CONFIDENTIAL AND PROPRIETARY
 NOTICE TO PERSONS RECEIVING THIS DOCUMENT AND/OR TECHNICAL INFORMATION
 THIS DOCUMENT, INCLUDING THE DRAWING AND INFORMATION CONTAINED THEREON, IS CONFIDENTIAL AND IS THE EXCLUSIVE PROPERTY OF EATON CORPORATION, AND IS MERELY ON LOAN AND SUBJECT TO RECALL BY EATON AT ANY TIME. BY TAKING POSSESSION OF THIS DOCUMENT, THE RECIPIENT ACKNOWLEDGES AND AGREES THAT THIS DOCUMENT CANNOT BE USED IN ANY MANNER ADVERSE TO THE INTERESTS OF EATON AND THAT NO PORTION OF THIS DOCUMENT MAY BE COPIED OR OTHERWISE REPRODUCED WITHOUT THE PRIOR WRITTEN CONSENT OF EATON. IN THE CASE OF CONFLICTING CONTRACTUAL PROVISIONS, THIS NOTICE SHALL GOVERN THE STATUS OF THIS DOCUMENT.