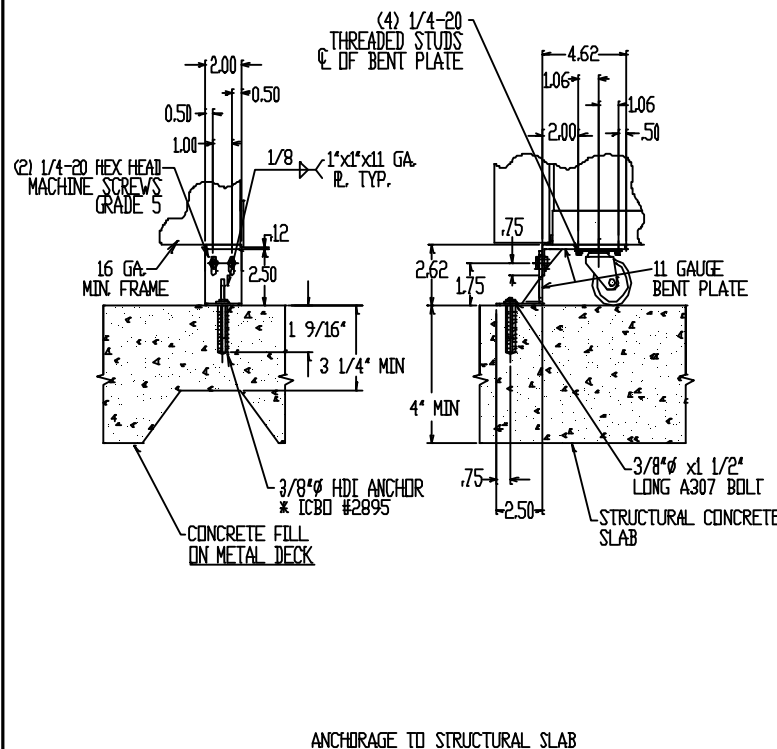
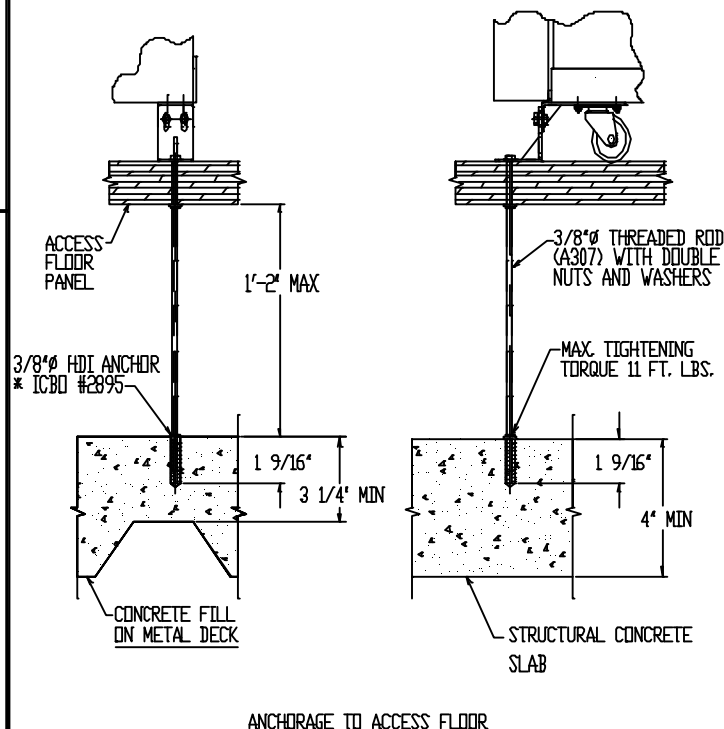


DWG NO. 2676 G01 SH 2 REV D

REVISIONS						
REV	CHG. NO.	DESCRIPTION	DATE	BY	CHKR	ENGR
0	EDN-6580	NO CHANGES TO THIS SHEET, SEE SHEET 1.	2-7-00	GRD	ROM	CP

NOTE:  
FOR INFORMATION NOT SHOWN  
SEE DETAILS ON ANCHORAGE TO  
STRUCTURAL SLAB



CAD SYSTEM <b>AUTOCAD</b>	DIMENSION TOLERANCE NONE ±	APPROVED <b>RJM</b>	<b>BEST POWER</b> A UNIT OF GENERAL SIGNAL P.O. BOX 280 WISCONSIN, WI 53018 (608) 808-7200
DATABASE arad/2000-2999	DESIGN CODES, STANDARDS AND TOLERANCES ARE: NONE ±	DATE 4-15-91	FE 4.3KVA SEISMIC ANCHORAGE, TO FLOOR AND SLAB
PROPRIETARY PROPRIETARY INFORMATION IN THIS DOCUMENT IS THE EXCLUSIVE PROPERTY OF BEST POWER, UNIT OF GENERAL SIGNAL AND MAY BE USED ONLY FOR INSTALLATION OR SERVICE OF BEST POWER'S PRODUCTS. ANY OTHER USE, EXPRESSLY PROHIBITED. THIS DOCUMENT MUST NOT BE REPRODUCED WITHOUT BEST POWER'S WRITTEN PERMISSION AND MUST BE RETURNED TO BEST POWER UPON DEMAND.	DES. BY RM	DATE 4-13-91	SIZE B
DO NOT SCALE DRAWING	SCALE NONE	DWG NO. 2676 G01	REV D
SHEET 2 OF 2			