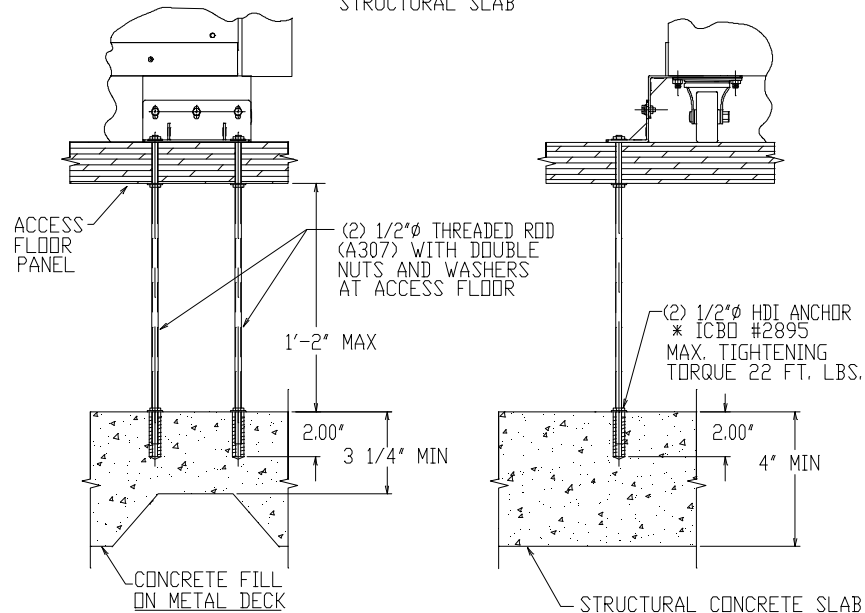
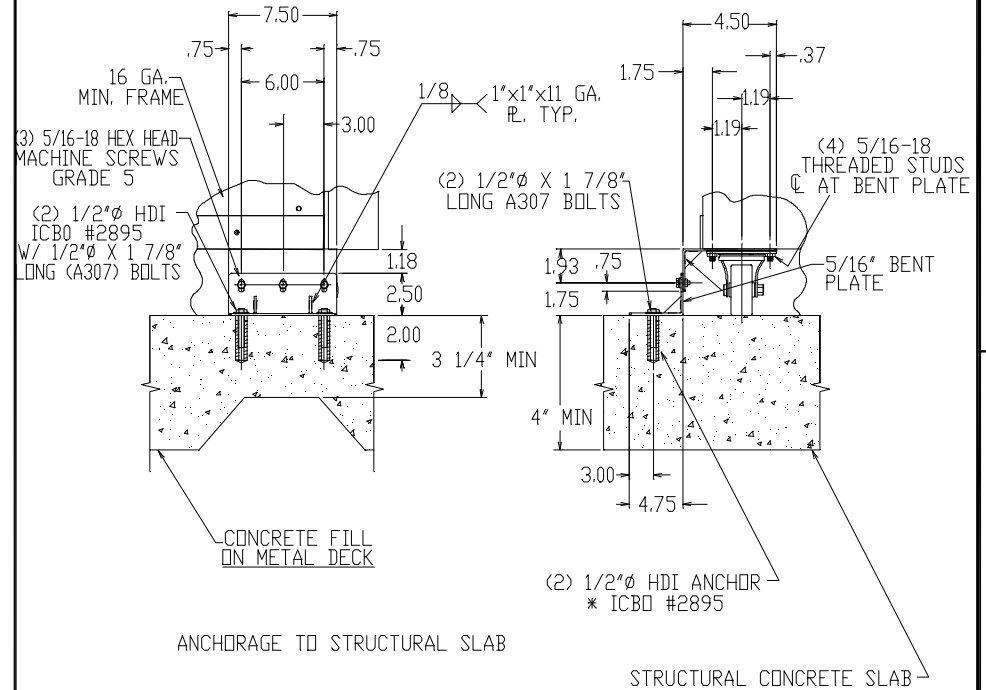


REVISIONS						
REV	CHG. NO.	DESCRIPTION	DATE	BY	CHKR	ENGR
D	ECN-6580	NO CHANGES TO THIS SHEET, SEE SHEET 1.	2-9-00	GRD	RCM	CDP

NOTE:
FOR INFORMATION NOT SHOWN
SEE DETAILS ON ANCHORAGE TO
STRUCTURAL SLAB



ANCHORAGE TO ACCESS FLOOR



CAD SYSTEM AUTOCAD	DIMENSION TOLERANCE UNLESS OTHERWISE SPECIFIED DIMENSIONS ARE IN INCHES TOLERANCES ARE: INCHES ± DEC. DIM. .XX = ± .02 DEC. DIM. .XXX = ± .010 ANGLES ± 2'	APPROVED	BEST POWER A UNIT OF GENERAL SIGNAL P.O. BOX 280 NECEDAH, WI 54646 (608) 568-7200 TITLE: FE SERIES "P" BATTERY CAB, SEISMIC ANCHORAGE, TO FLOOR & SLAB
DATABASE acad/2000-2999 PROPRIETARY	PROPRIETARY INFORMATION IN THIS DOCUMENT IS THE EXCLUSIVE PROPERTY OF BEST POWER, UNIT OF GENERAL SIGNAL AND MAY BE USED SOLELY FOR INSTALLATION OR SERVICE OF BEST POWER'S PRODUCTS. ANY OTHER USE EXPRESSLY PROHIBITED. THIS DOCUMENT MUST NOT BE REPRODUCED WITHOUT BEST POWER'S WRITTEN PERMISSION AND MUST BE RETURNED TO BEST POWER UPON DEMAND.	DRAWN BY: RJW DATE: 1-25-91 CHECKED BY: DSK DATE: 4-15-91 ENGINEER: RM DATE: 4-13-91 STANDARDS ENGINEER: _____ MANUFACTURING ENG: _____ QUALITY ASSURANCE: _____	
DO NOT SCALE DRAWING		PART NO.	SCALE: NONE