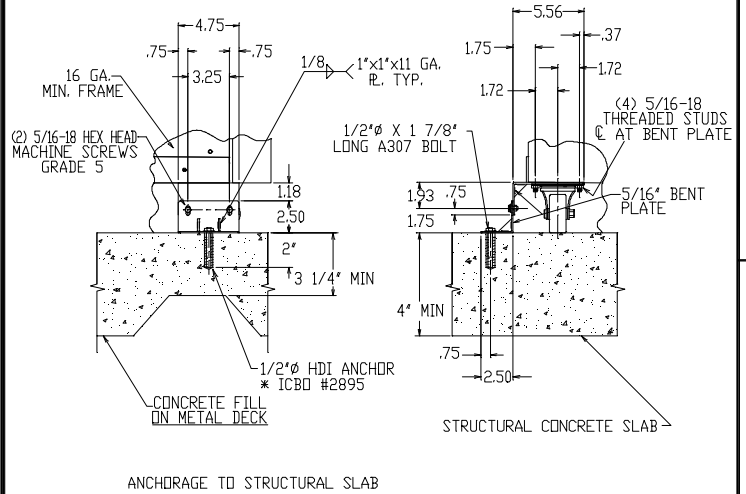
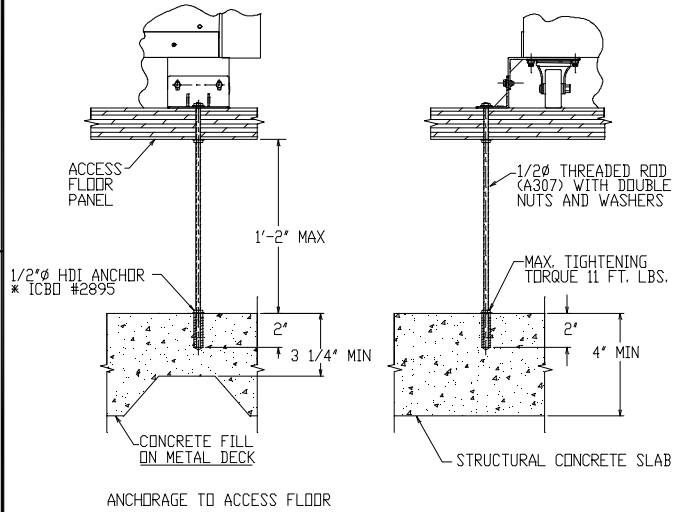


DWG NO. 2678 G01 SH 2 REV D

REVISIONS						
REV	CHG. NO.	DESCRIPTION	DATE	BY	CHKR	ENGR
D	ECN-6580	NO CHANGES TO THIS SHEET, SEE SHEET 1.	2-7-00	GRD	RCM	CDP

NOTE:  
FOR INFORMATION NOT SHOWN  
SEE DETAILS ON ANCHORAGE TO  
STRUCTURAL SLAB



CAD SYSTEM <b>AUTOCAD</b>	DIMENSION TOLERANCE UNLESS OTHERWISE SPECIFIED DIMENSIONS ARE IN INCHES TOLERANCES ARE: INCHES ± DEC. DIM. XXX = ± .02 DEC. DIM. XXXX = ± .010 ANGLES ± 2°	APPROVED DRAWN BY: R.J.W. DATE: 4-13-91 CHECKED BY: DSK DATE: 4-15-91 ENGINEER: RM DATE: 4-13-91 STANDARDS ENGINEER: _____ MANUFACTURING ENG: _____ QUALITY ASSURANCE: _____	<b>BEST POWER</b> A UNIT OF GENERAL SIGNAL P.O. BOX 280 NEEBING, WI 53448 (608) 888-7200 TITLE: FE 10KVA SEISMIC ANCHORAGE, TO FLOOR & SLAB SIZE: B DWG NO.: 2678 G01 REV: D SCALE: NONE SHEET 2 OF 2
DATABASE acad/2000-2999	PROPRIETARY PROPRIETARY INFORMATION IN THIS DOCUMENT IS THE EXCLUSIVE PROPERTY OF BEST POWER, UNIT OF GENERAL SIGNAL, AND MAY BE USED SOLELY FOR INSTALLATION OR SERVICE OF BEST POWER'S PRODUCTS. ANY OTHER USE EXPRESSLY PROHIBITED. THIS DOCUMENT MUST NOT BE REPRODUCED WITHOUT BEST POWER'S WRITTEN PERMISSION AND MUST BE RETURNED TO BEST POWER UPON DEMAND.	DO NOT SCALE DRAWING	