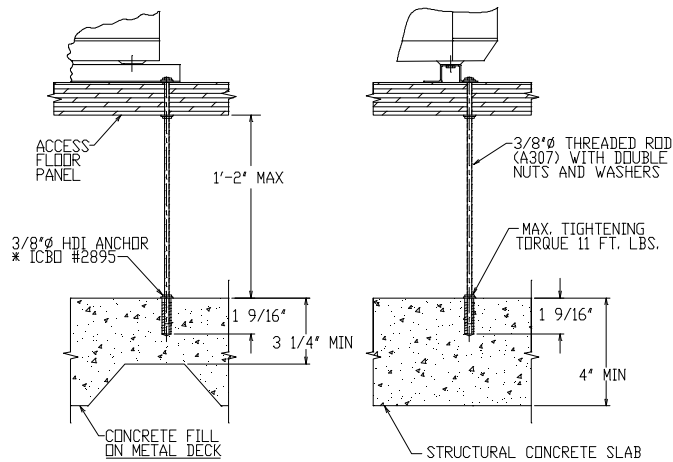
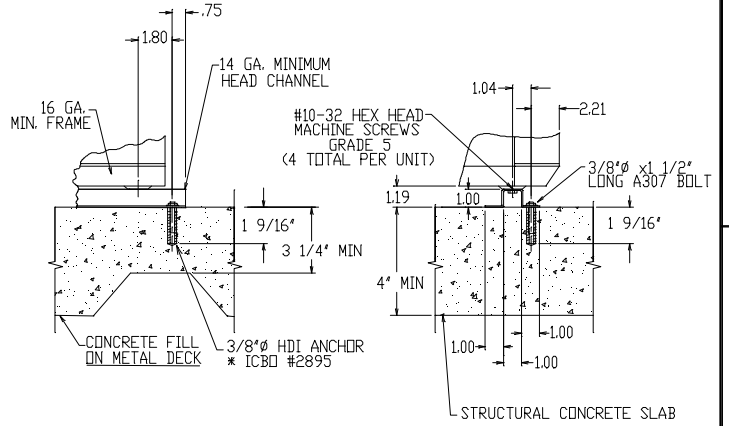


REVISIONS						
REV	CHG. NO.	DESCRIPTION	DATE	BY	CHKR	ENGR
D	ECN-6580	NO CHANGES TO THIS SHEET, SEE SHEET 1.	2-8-00	GRD	RCM	CDP

NOTE:
FOR INFORMATION NOT SHOWN
SEE DETAILS ON ANCHORAGE TO
STRUCTURAL SLAB



ANCHORAGE TO ACCESS FLOOR



ANCHORAGE TO STRUCTURAL SLAB

CAD SYSTEM AUTOCAD	DIMENSION TOLERANCE	APPROVED	BEST POWER
DATABASE a.cad/2000-2999	UNLESS OTHERWISE SPECIFIED DIMENSIONS ARE IN INCHES TOLERANCES ARE: INCHES ± DEC. DIM. XXX ± .02 DEC. DIM. XXXX ± .010 ANGLES ± 2°	DRAWN BY: R.J.W. CHECKED BY: J.S.K. ENGINEER: R.M. STANDARDS ENGINEER: MANUFACTURING ENG: QUALITY ASSURANCE:	A UNIT OF GENERAL SIGNAL P.O. BOX 280 NEEBEDI, WI 53418 (800) 888-7200 TITLE: FE 1.8 KVA SEISMIC ANCHORAGE, TO FLOOR & SLAB
PROPRIETARY INFORMATION IN THIS DOCUMENT IS THE EXCLUSIVE PROPERTY OF BEST POWER, UNIT OF GENERAL SIGNAL, AND MAY BE USED SOLELY FOR INSTALLATION OR SERVICE OF BEST POWER'S PRODUCTS. ANY OTHER USE EXPRESSLY PROHIBITED. THIS DOCUMENT MUST NOT BE REPRODUCED WITHOUT BEST POWER'S WRITTEN PERMISSION AND MUST BE RETURNED TO BEST POWER UPON DEMAND.	DO NOT SCALE DRAWING	DATE: 4-15-91 4-13-91	SIZE: B DWG NO.: 2686 G01 REV: D