

1 2 3 4 5 6 7 8 9 10 11 12

A

B

C

D

E

F

G

H

A

B

C

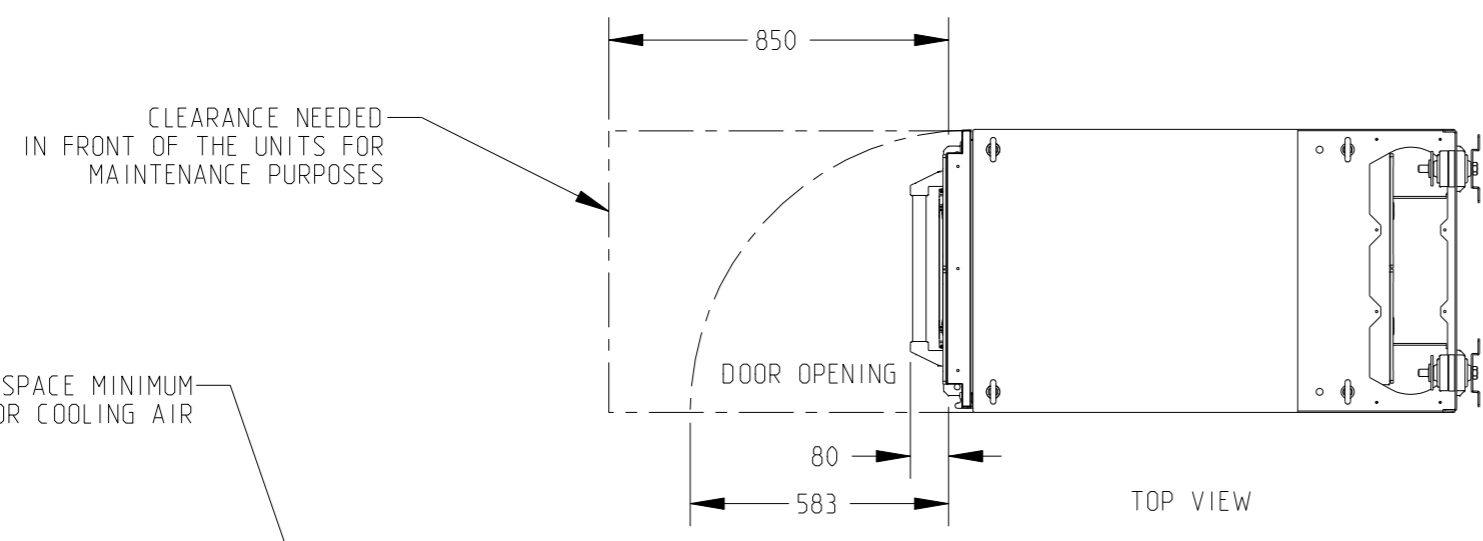
D

E

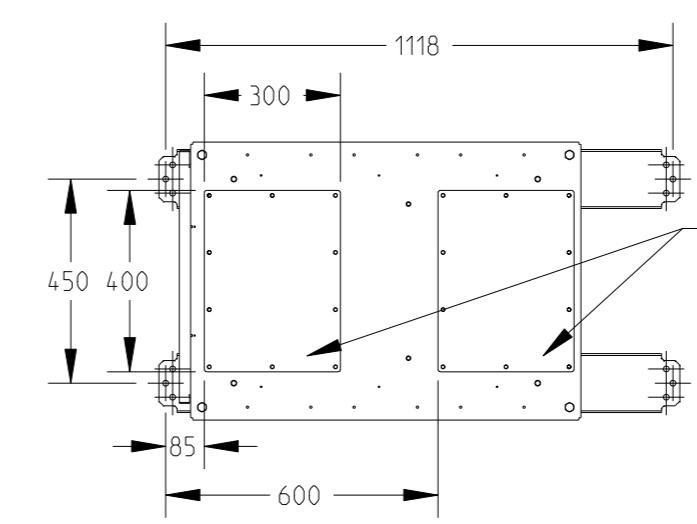
F

G

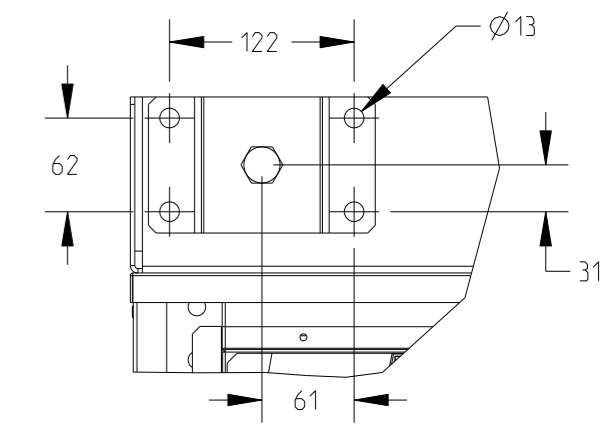
H



TOP VIEW

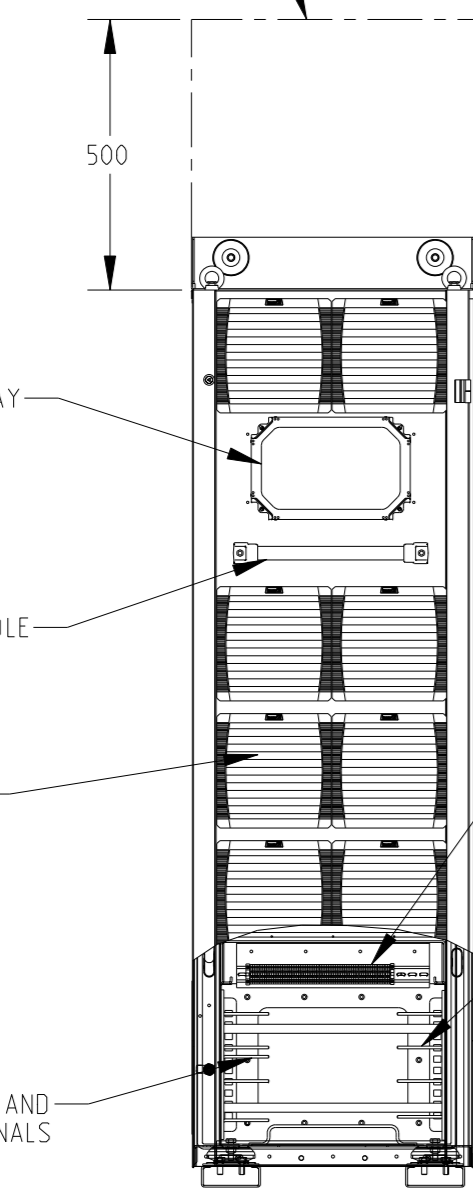


TOP VIEW (FLOOR ATTACHMENT)

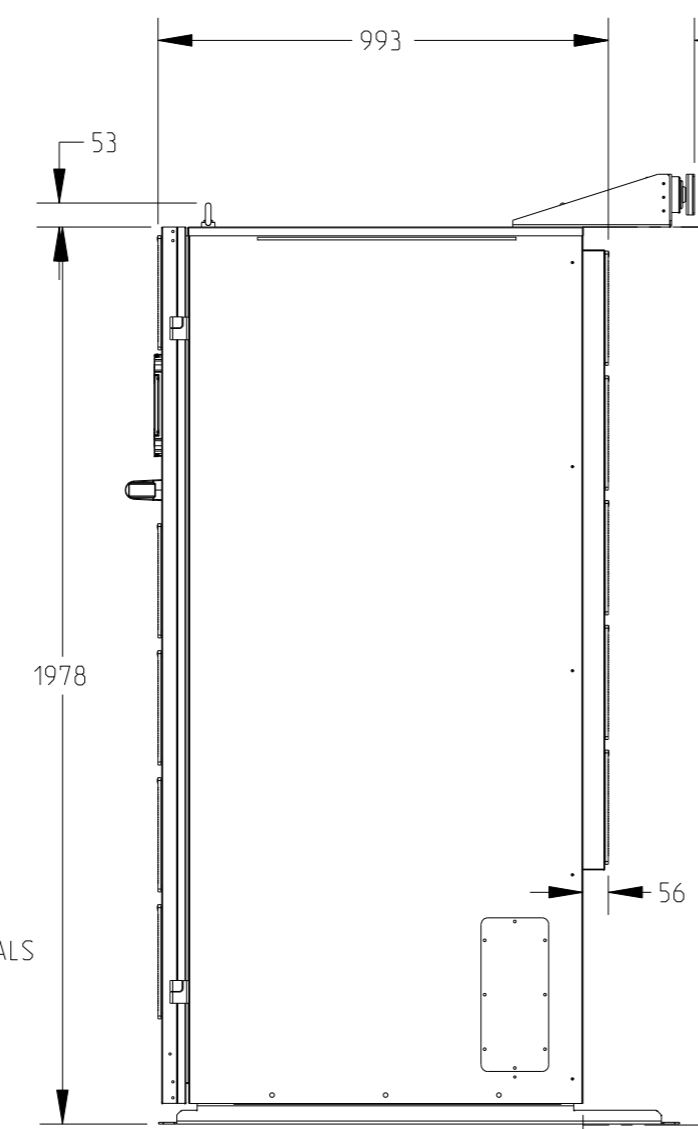


DETAIL B SCALE 1:5

FREE SPACE MINIMUM ON TO FOR COOLING AIR



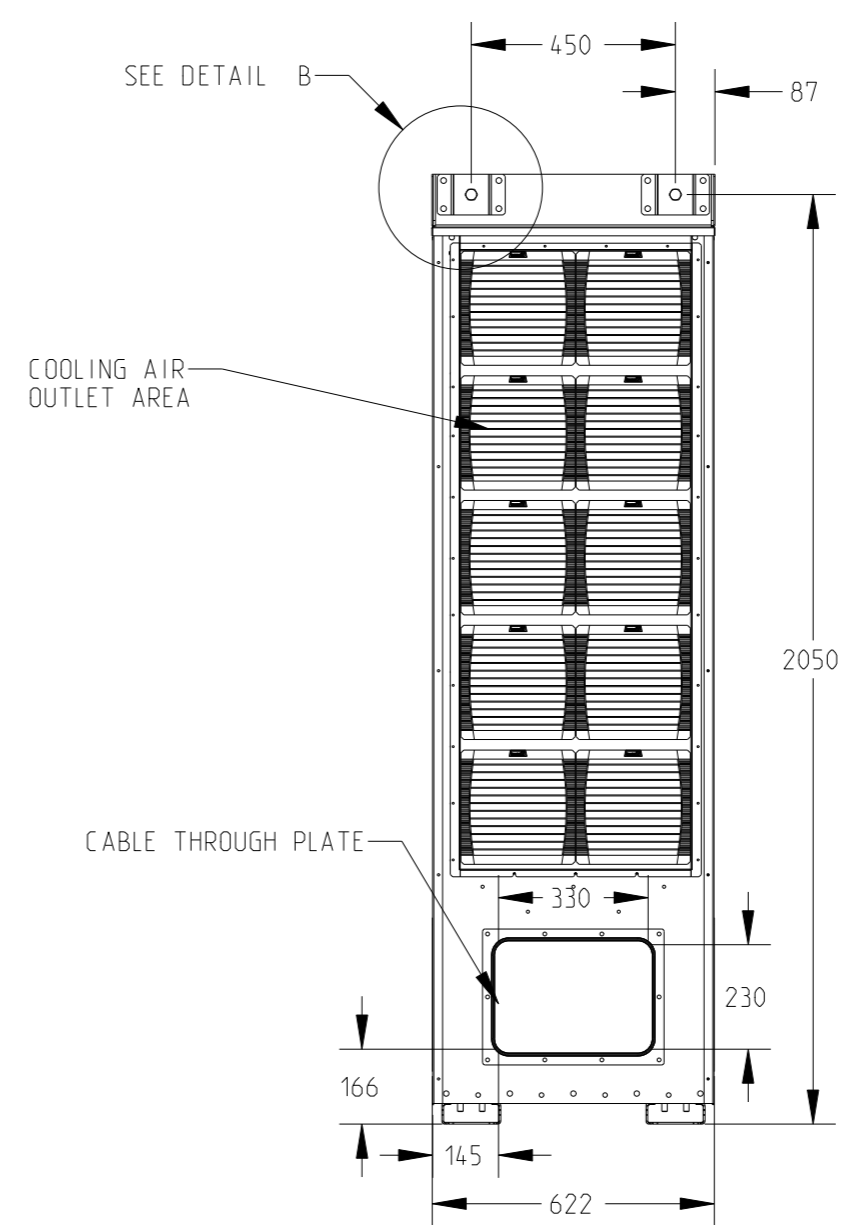
FRONT VIEW



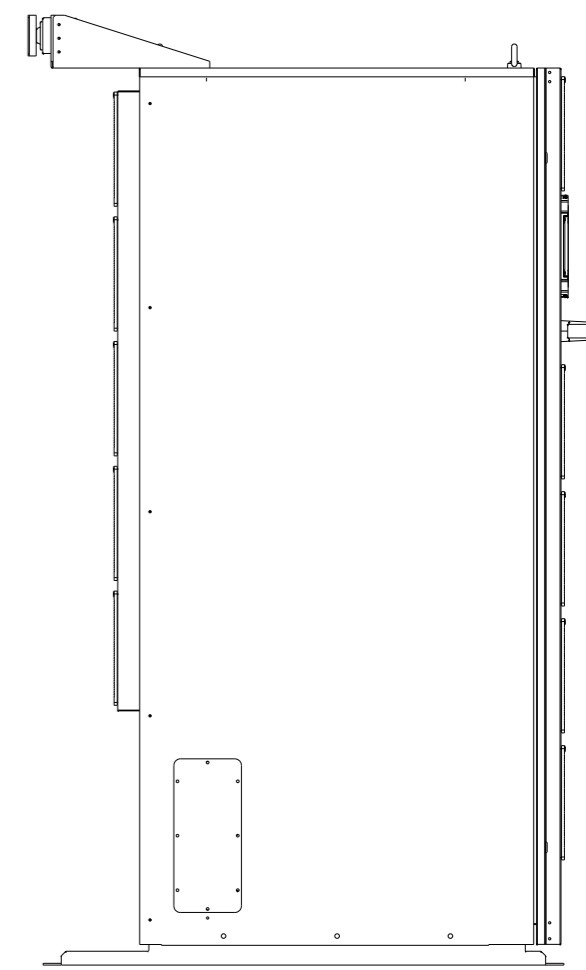
RIGHT VIEW

190 (Can be adjusted to 246 for increased free space)

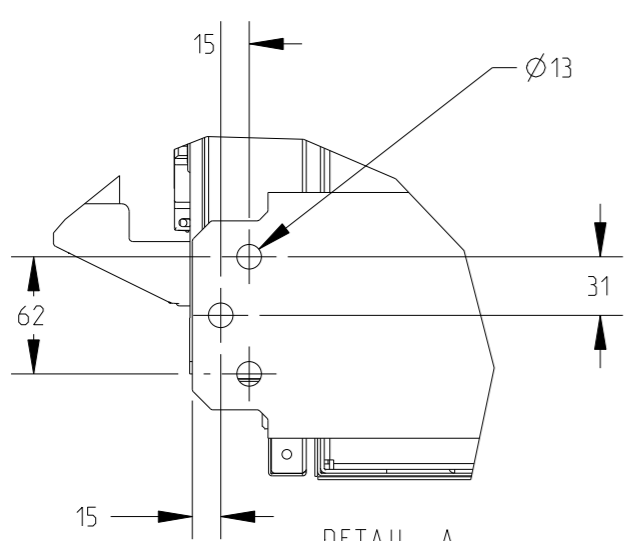
* FREE SPACE MINIMUM IN REAR FOR COOLING AIR
** FREE SPACE MINIMUM IN REAR FOR COOLING AIR WITH TWO INTERNAL TRANSFORMERS



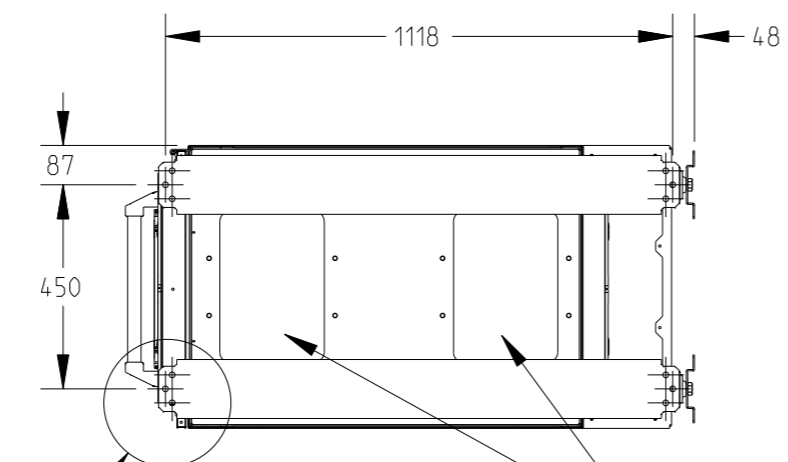
REAR VIEW



LEFT VIEW



DETAIL A SCALE 1:4



BOTTOM VIEW

Shipping dimensions
LxWxH (mm):
1380x750x2250

Maximum weights and floor loading	30-50 kW without internal transformer	30-50 kW with internal transformer	30-50 kW with 2 internal transformers	80-100 kW without internal transformer
Shipping weight	350 kg	590 kg	830 kg	430 kg
Installed weight	290 kg	530 kg	770 kg	370 kg
Floor loading	565 kg/m ²	1030 kg/m ²	1500 kg/m ²	720 kg/m ²

METRIC		EATON CORPORATION		EATON	
THIRD ANGLE PROJECTION					
DIMENSIONS ARE IN MILLIMETERS AFTER PLATING. DIMENSIONS AND TOLERANCES IN ACCORDANCE WITH ASME Y14.5M-1994. SEE NOTES FOR TOLERANCES.					
DESCRIPTION: D 9PHD NARROW MARINE IP54 WH OPTIONS					
ORIGINATED: HUOTARI J.	11-AUG-2017	ECO:	NAME:	REVISION: 03	SIZE: A2
MODIFIED: YRJÖLÄ E.	24-JAN-2018	DOCUMENT TYPE:	HPO-1043586	STATE:	SCALE: 3:100
CHECKED:		PRO-E DRAWING			SHEET: 1 OF 1
SAFETY:					
APPROVED:					

EATON CORPORATION - CONFIDENTIAL AND PROPRIETARY
NOTICE TO PERSONS RECEIVING THIS DOCUMENT AND/OR TECHNICAL INFORMATION
THIS DOCUMENT, INCLUDING THE DRAWING AND INFORMATION CONTAINED THEREON, IS CONFIDENTIAL AND IS THE EXCLUSIVE PROPERTY OF EATON CORPORATION, AND IS MERELY ON LOAN AND SUBJECT TO RECALL BY EATON AT ANY TIME. BY TAKING POSSESSION OF THIS DOCUMENT, THE RECIPIENT ACKNOWLEDGES AND AGREES THAT THIS DOCUMENT CANNOT BE USED IN ANY MANNER ADVERSE TO THE INTERESTS OF EATON AND THAT NO PORTION OF THIS DOCUMENT MAY BE COPIED OR OTHERWISE REPRODUCED WITHOUT THE PRIOR WRITTEN CONSENT OF EATON. IN THE CASE OF COMPLETING CONTRACTUAL PROVISIONS, THIS NOTICE SHALL GOVERN THE STATUS OF THIS DOCUMENT.
© 2011 Eaton Corporation - All Rights Reserved

1 2 3 4 5 6 7 8 9 10 11 12 A2