

1 2 3 4 5 6 7 8 9 10 11 12

A A

B B

C C

D D

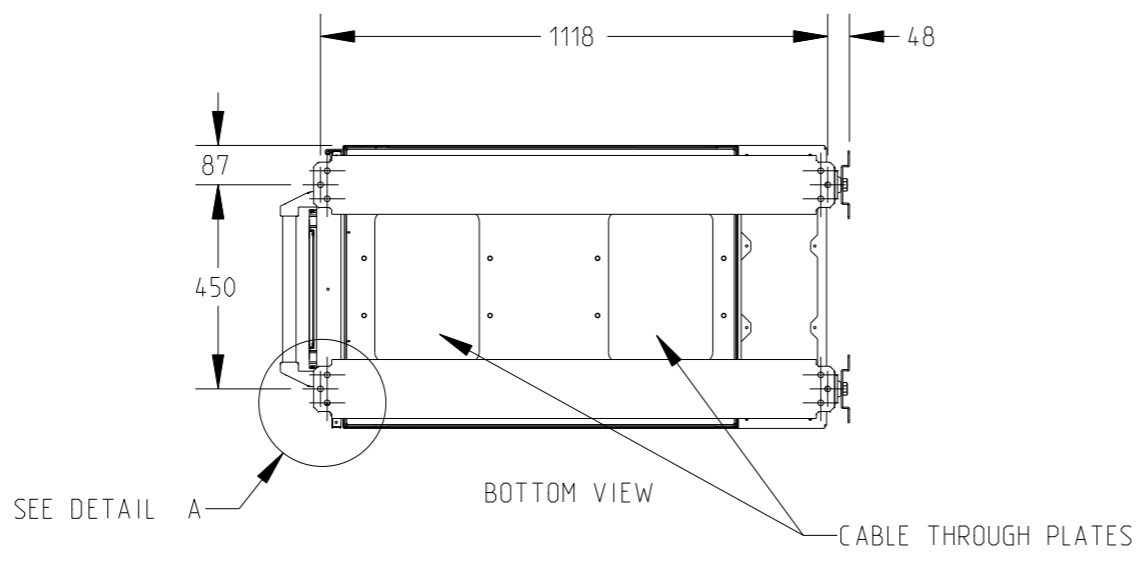
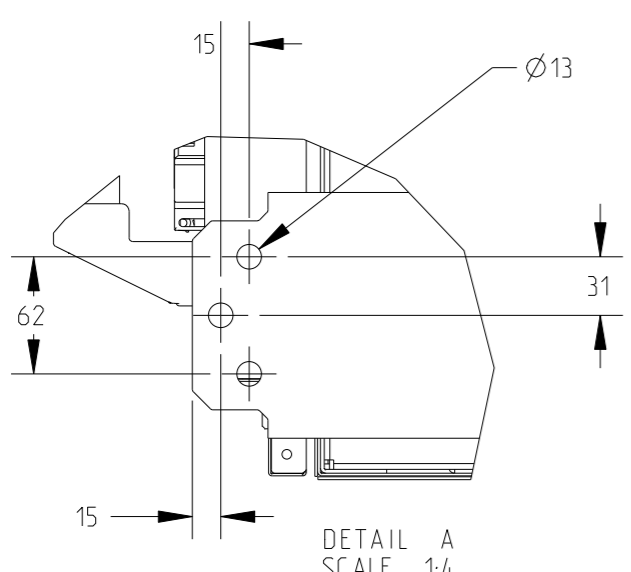
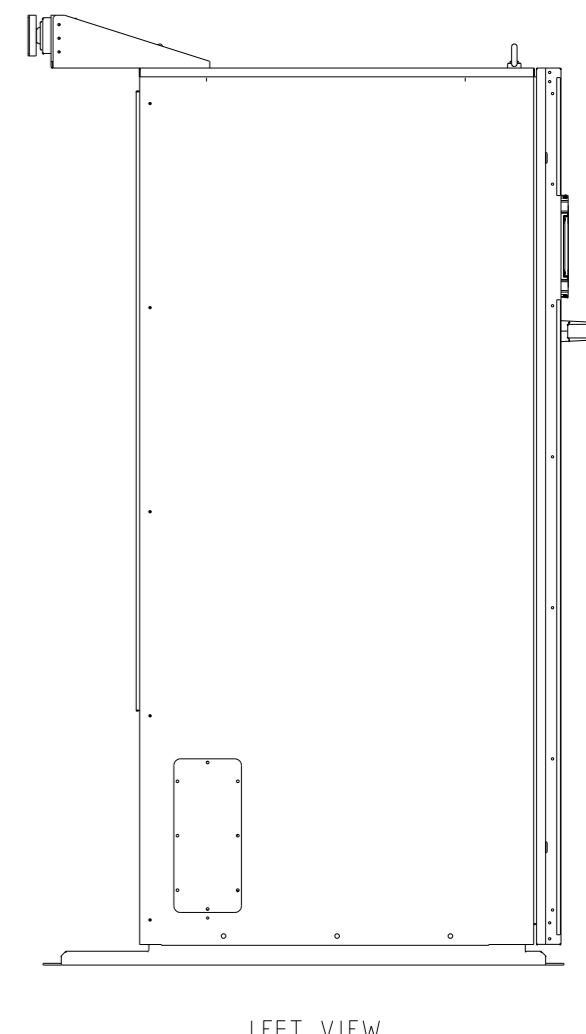
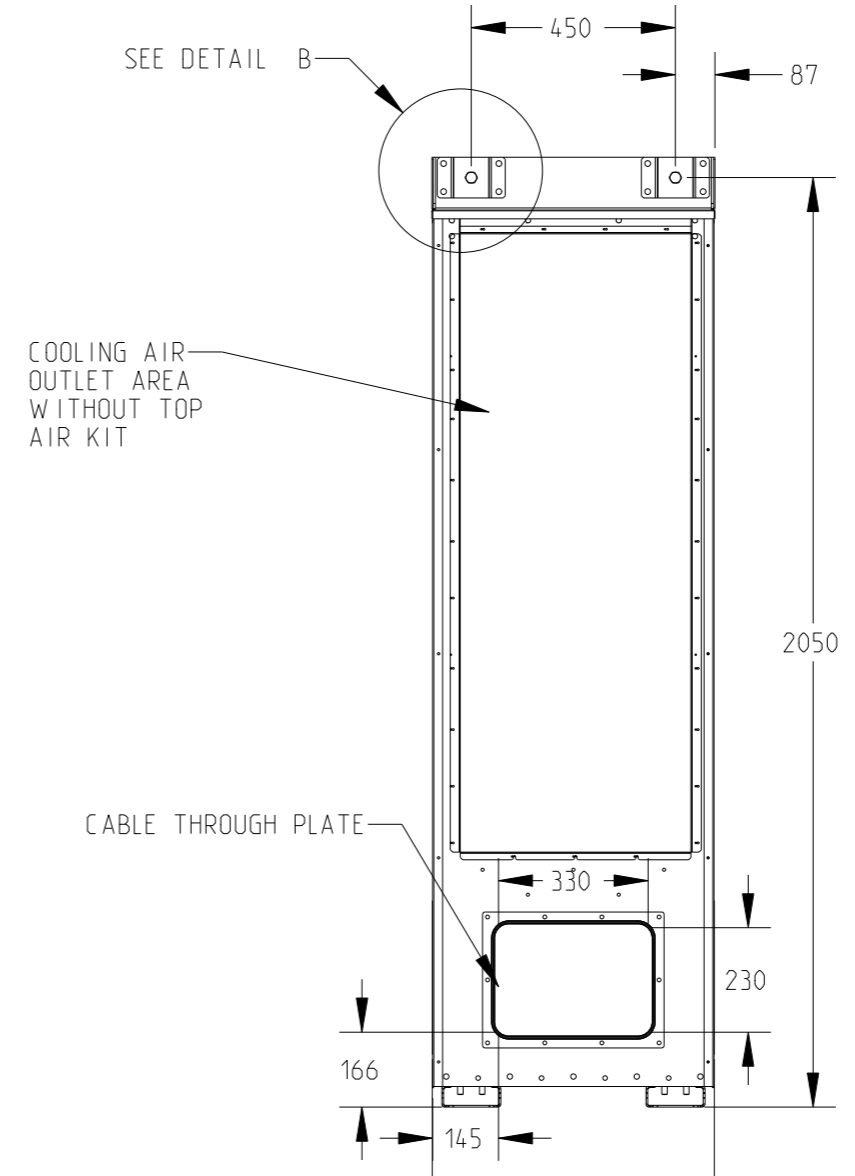
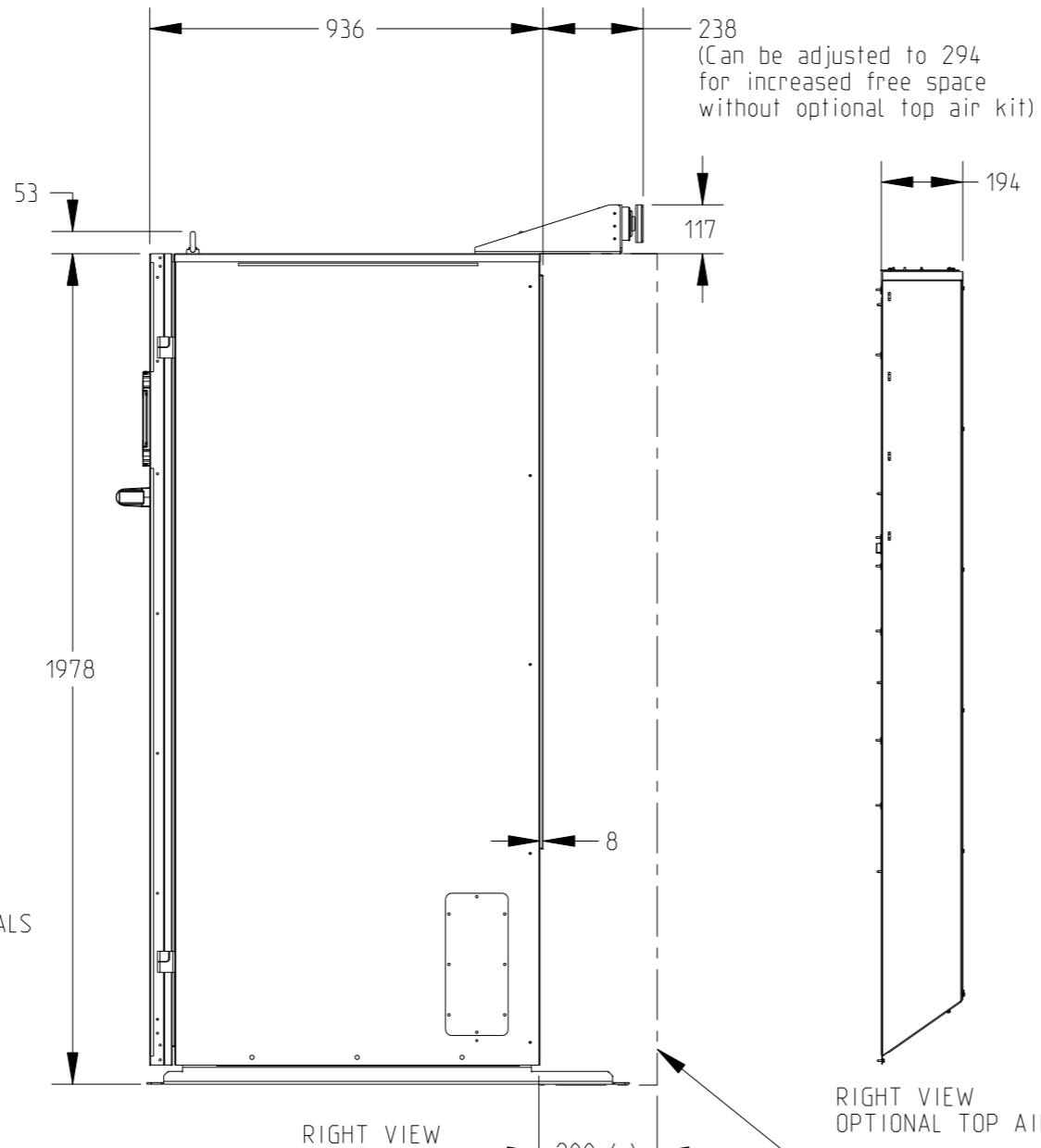
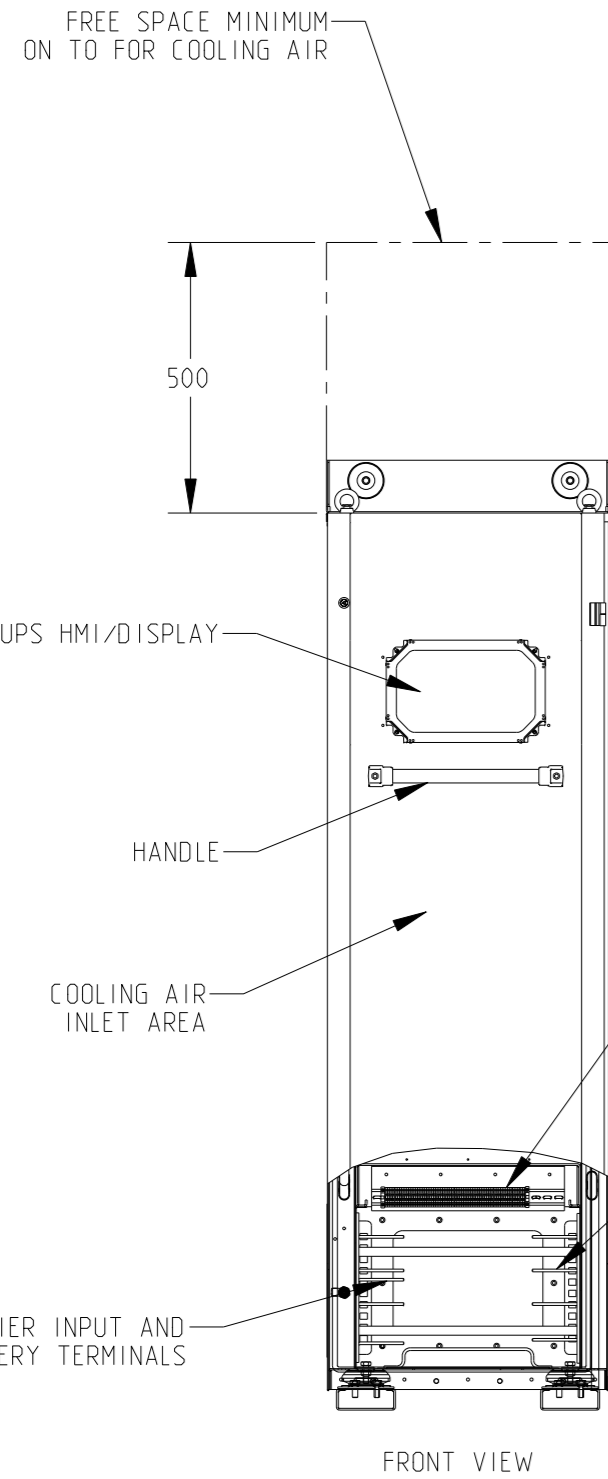
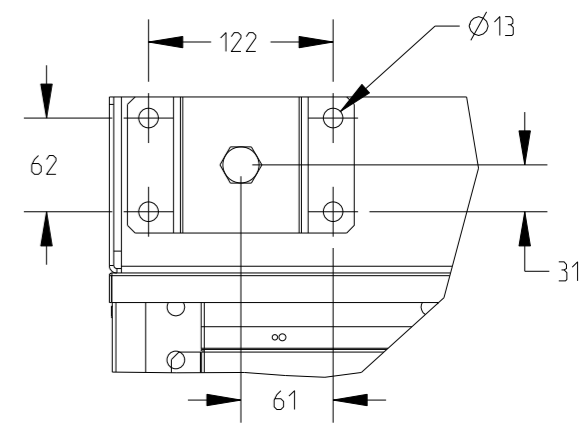
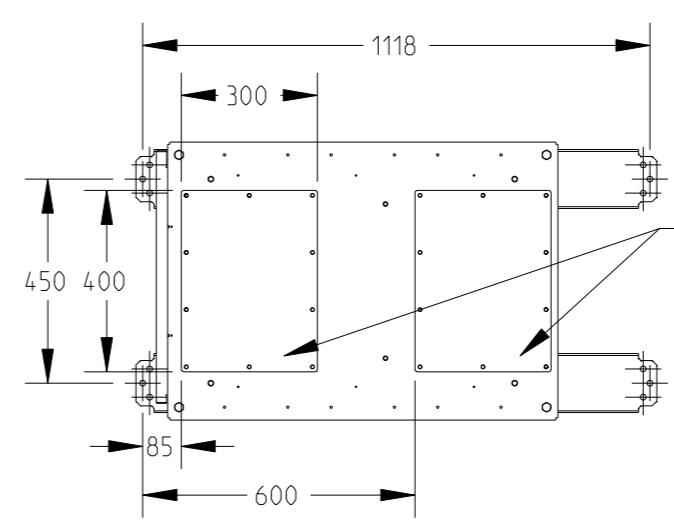
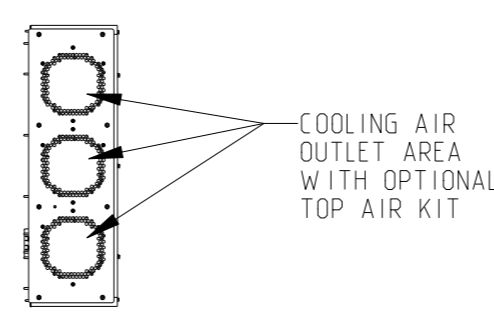
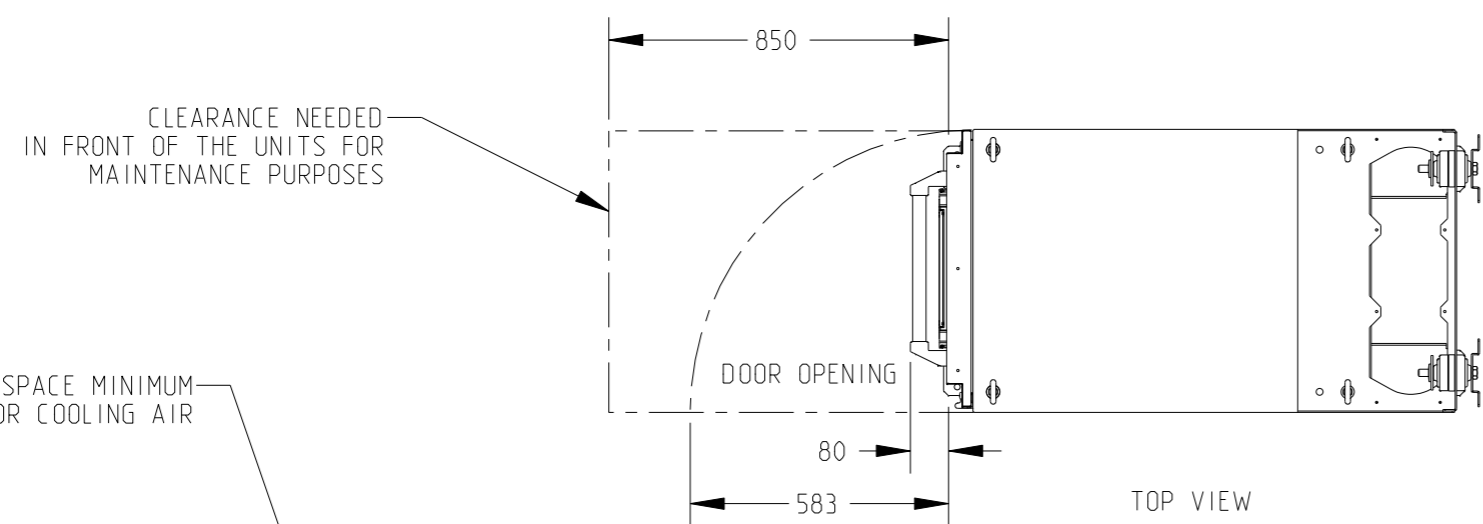
E E

F F

G G

H H

1 2 3 4 5 6 7 8 9 10 11 12 A2



* FREE SPACE MINIMUM IN REAR FOR COOLING AIR WITHOUT OPTIONAL TOP AIR KIT
 ** FREE SPACE MINIMUM IN REAR WITH TWO INTERNAL TRANSFORMERS

Shipping dimensions
 LxWxH (mm):
 1380x750x2250

Maximum weights and floor loading	30-50 kW without internal transformer	30-50 kW with internal transformer	30-50 kW with 2 internal transformers	80-100 kW without internal transformer
Shipping weight	350 kg	590 kg	830 kg	430 kg
Installed weight	290 kg	530 kg	770 kg	370 kg
Floor loading	565 kg/m ²	1030 kg/m ²	1500 kg/m ²	720 kg/m ²

METRIC THIRD ANGLE PROJECTION **EATON CORPORATION** **EATON**

DESCRIPTION: D 9PHD NARROW MARINE IP23/33 WH OPTIONS

ORIGINATED: HUOTARI J.	11-AUG-2017	ECO:	NAME:	REVISION: 03	SIZE: A2
MODIFIED: YRJÖLÄ E.	24-JAN-2018	DOCUMENT TYPE:	HPO-1043587	STATE:	SCALE: 3:100
CHECKED:		PRO-E DRAWING			SHEET: 1 OF 1
SAFETY:					
APPROVED:					

EATON CORPORATION - CONFIDENTIAL AND PROPRIETARY
 NOTICE TO PERSONS RECEIVING THIS DOCUMENT AND/OR TECHNICAL INFORMATION
 THIS DOCUMENT, INCLUDING THE DRAWING AND INFORMATION CONTAINED THEREON, IS CONFIDENTIAL AND IS THE EXCLUSIVE PROPERTY OF EATON CORPORATION, AND IS MERELY ON LOAN AND SUBJECT TO RECALL BY EATON AT ANY TIME. BY TAKING POSSESSION OF THIS DOCUMENT, THE RECIPIENT ACKNOWLEDGES AND AGREES THAT THIS DOCUMENT CANNOT BE USED IN ANY MANNER ADVERSE TO THE INTERESTS OF EATON AND THAT NO PORTION OF THIS DOCUMENT MAY BE COPIED OR OTHERWISE REPRODUCED WITHOUT THE PRIOR WRITTEN CONSENT OF EATON. IN THE CASE OF CONFLICTING CONTRACTUAL PROVISIONS, THIS NOTICE SHALL GOVERN THE STATUS OF THIS DOCUMENT.
 © 2011 Eaton Corporation - All Rights Reserved.