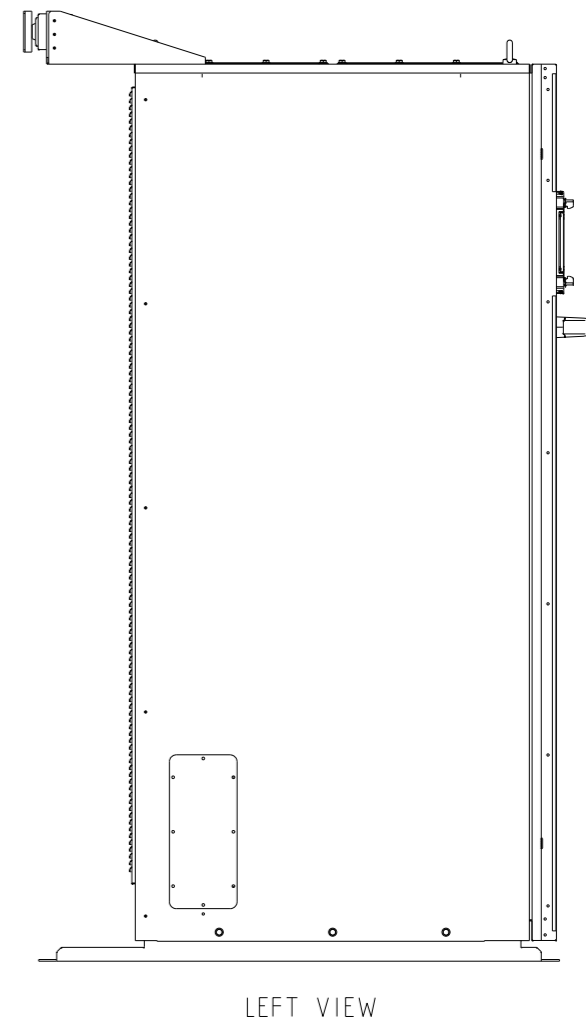
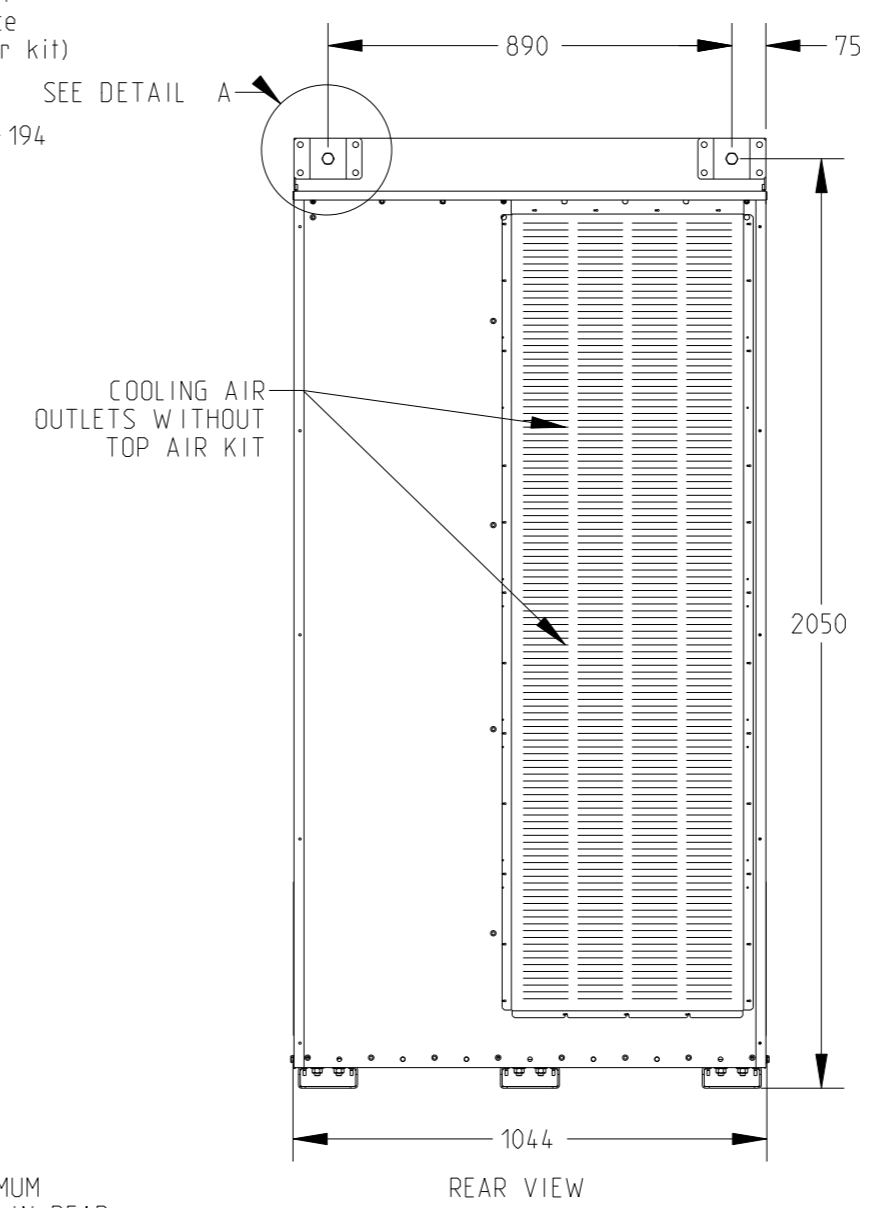
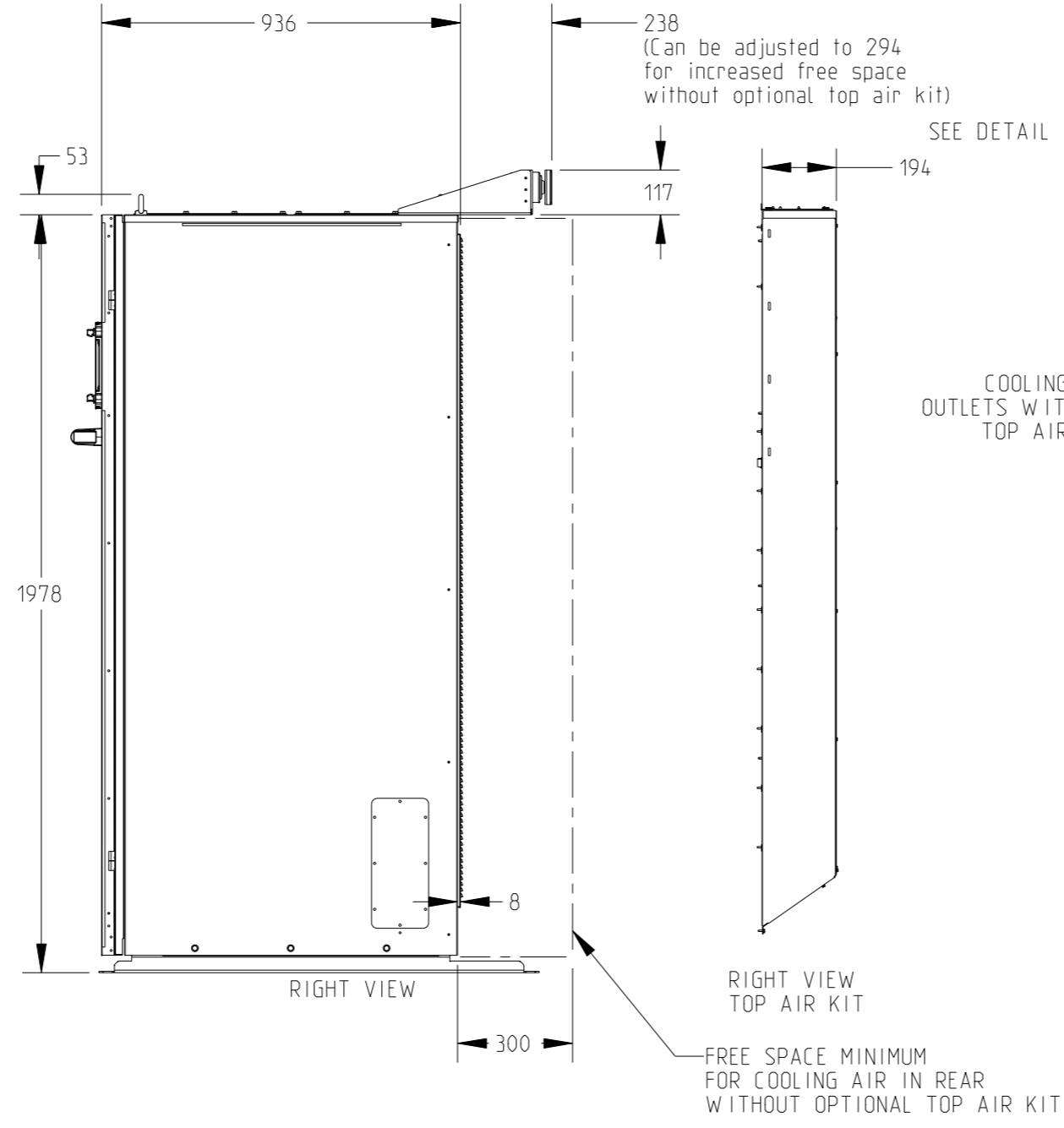
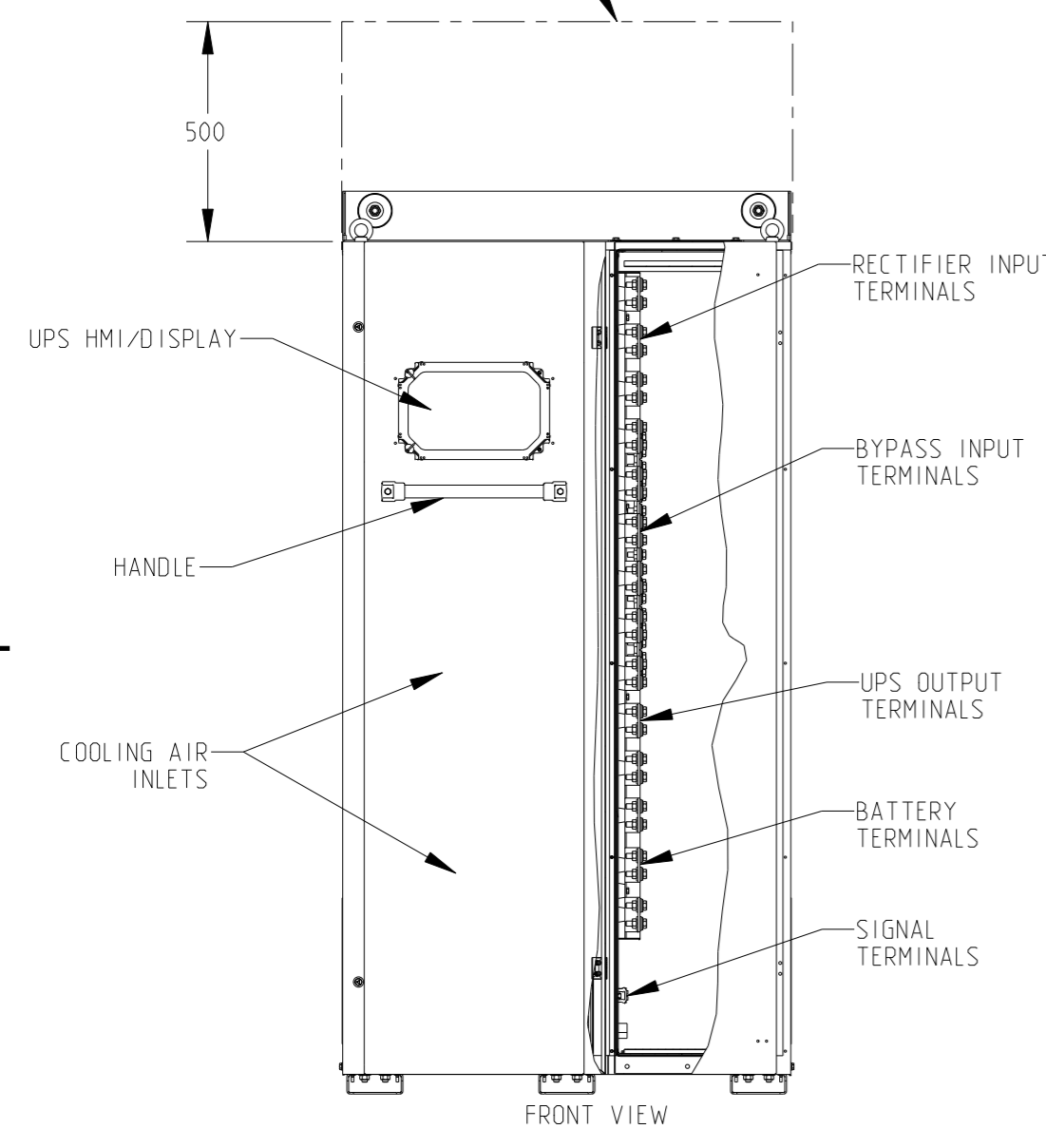
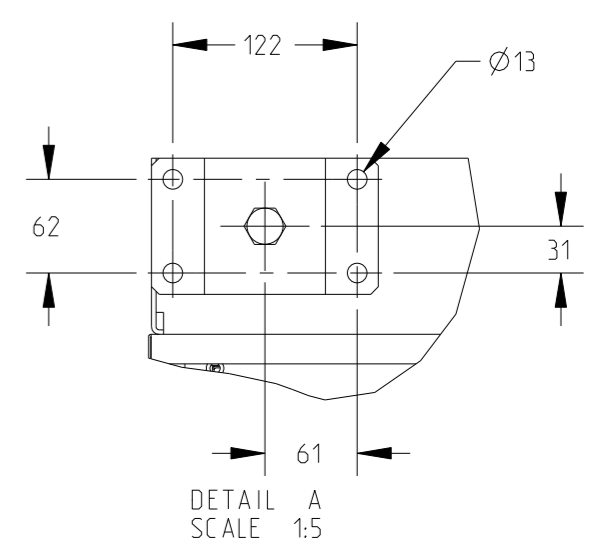
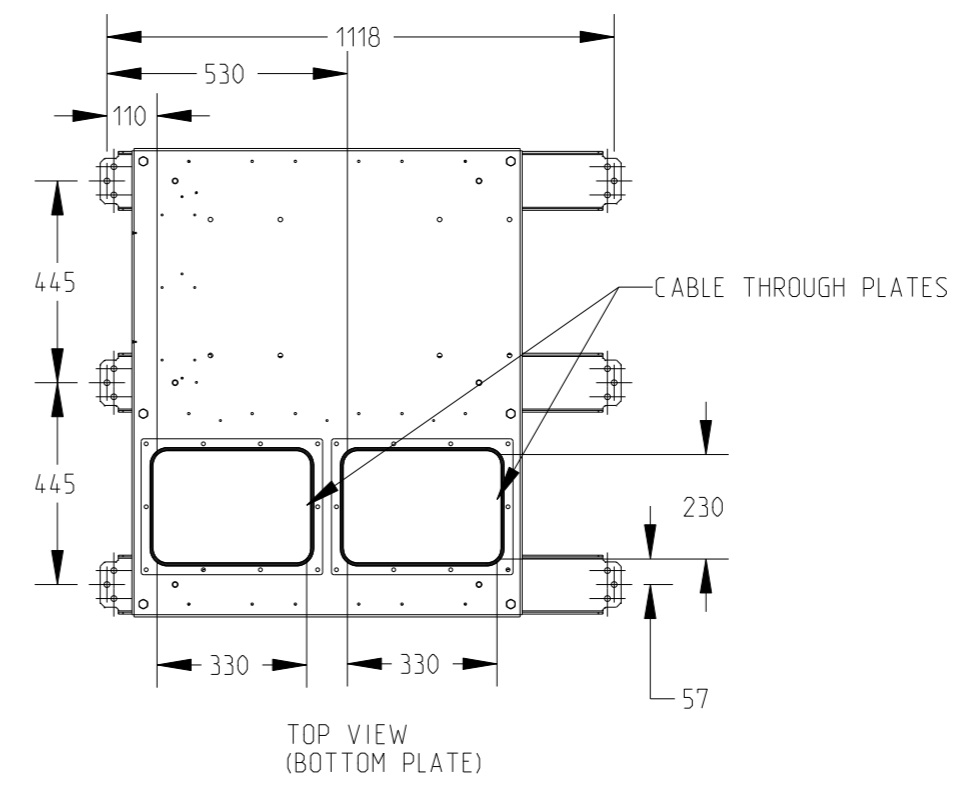
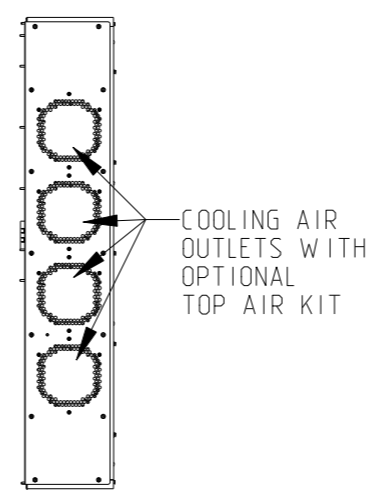
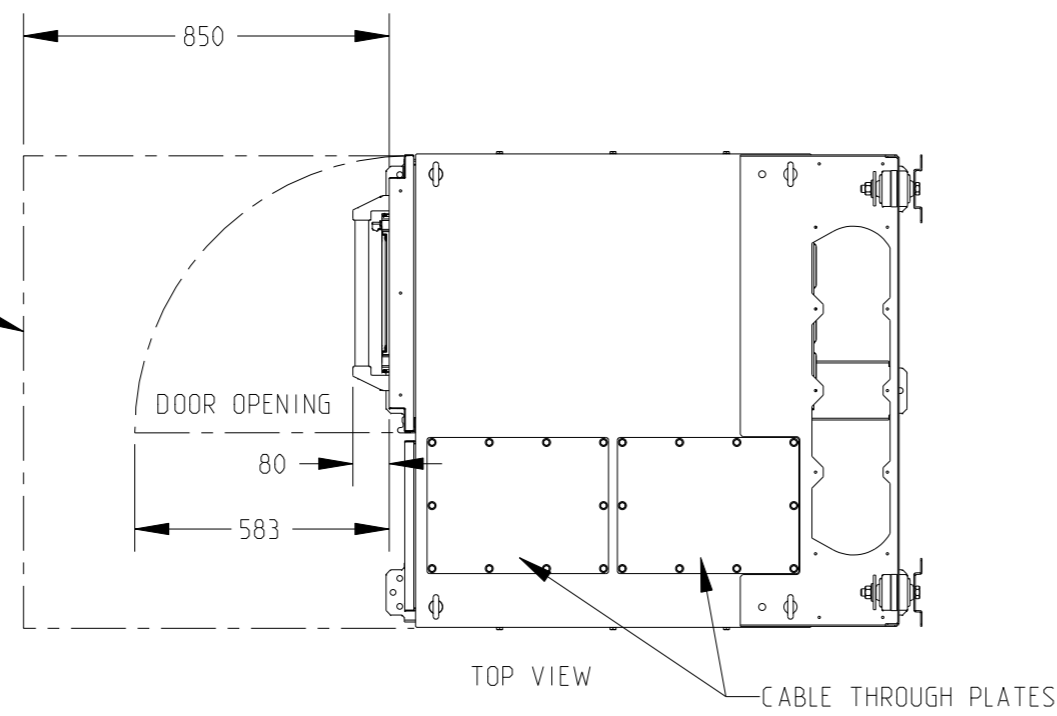


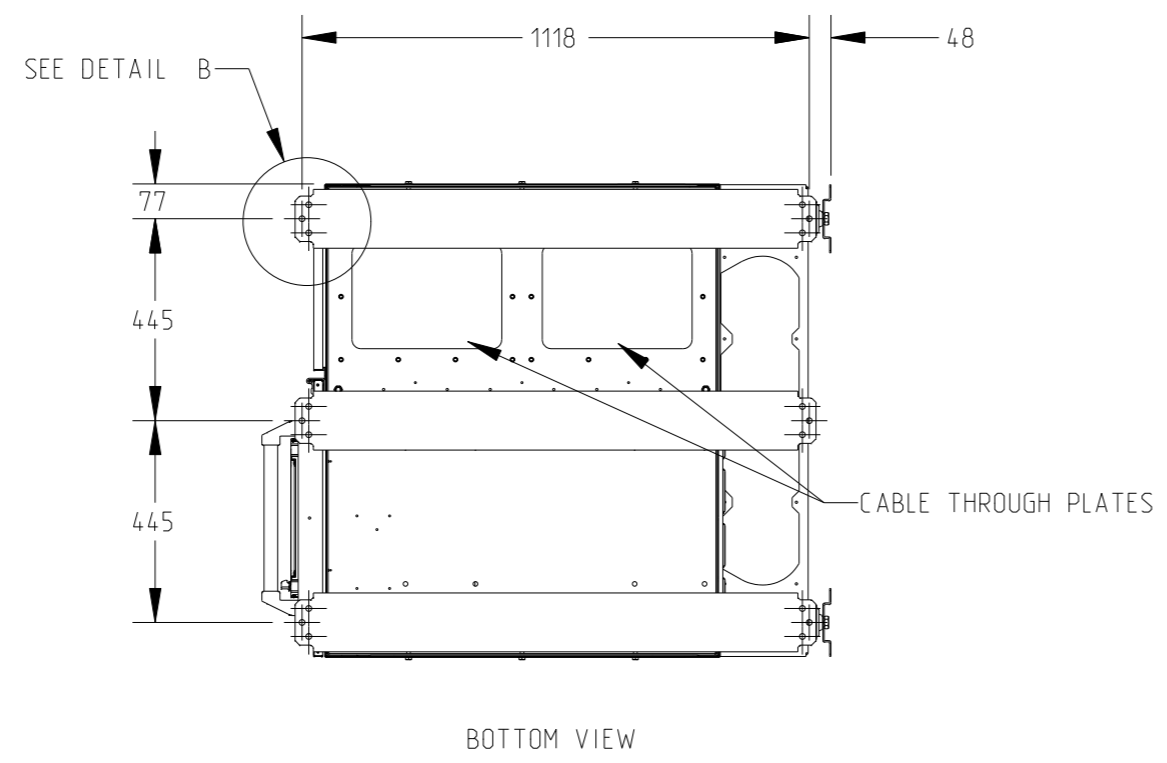
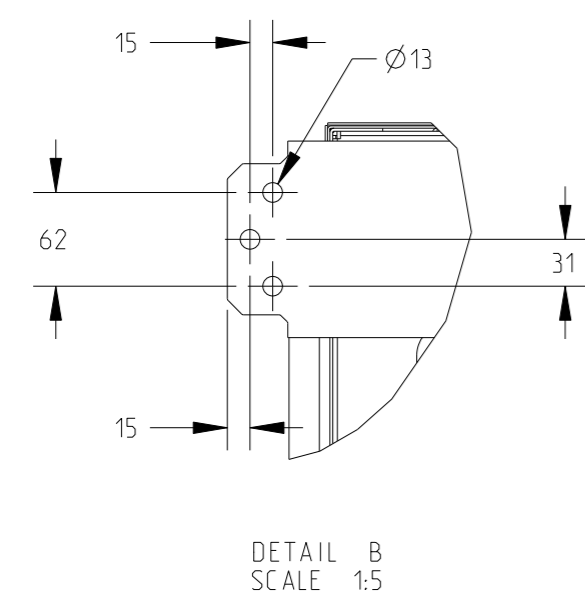
CLEARANCE NEEDED IN FRONT OF THE UNITS FOR MAINTENANCE PURPOSES

FREE SPACE MINIMUM ON TO FOR COOLING AIR



Shipping dimensions
LxWxH (mm)
1380x1170x2250

Maximum weights	100 kW with internal transformer	150 kW	200 kW
Shipping weight	1020 kg	700 kg	780 kg
Installed weight	940 kg	620 kg	700 kg
Floor loading	1060 kg/m ²	700 kg/m ²	780 kg/m ²



METRIC THIRD ANGLE PROJECTION **EATON CORPORATION** **EATON**

DESCRIPTION: D 9PHD MARINE WIDE FRAME IP23/33 WH OPTIONS

ORIGINATED: HUOTARI J.	15-AUG-2017	ECO:	NAME:	REVISION: 03	SIZE: A2
MODIFIED: YRJÖLÄ E.	29-JAN-2018	DOCUMENT TYPE:	HPO-1043593	STATE:	SCALE: 3:100
CHECKED:		PRO-E DRAWING			SHEET: 1 OF 1
SAFETY:					
APPROVED:					

EATON CORPORATION - CONFIDENTIAL AND PROPRIETARY
NOTICE TO PERSONS RECEIVING THIS DOCUMENT AND/OR TECHNICAL INFORMATION
THIS DOCUMENT, INCLUDING THE DRAWING AND INFORMATION CONTAINED THEREON, IS CONFIDENTIAL AND IS THE EXCLUSIVE PROPERTY OF EATON CORPORATION, AND IS MERELY ON LOAN AND SUBJECT TO RECALL BY EATON AT ANY TIME. BY TAKING POSSESSION OF THIS DOCUMENT, THE RECIPIENT ACKNOWLEDGES AND AGREES THAT THIS DOCUMENT CANNOT BE USED IN ANY MANNER ADVERSE TO THE INTERESTS OF EATON AND THAT NO PORTION OF THIS DOCUMENT MAY BE COPIED OR OTHERWISE REPRODUCED WITHOUT THE PRIOR WRITTEN CONSENT OF EATON. IN THE CASE OF CONFLICTING CONTRACTUAL PROVISIONS, THIS NOTICE SHALL GOVERN THE STATUS OF THIS DOCUMENT.