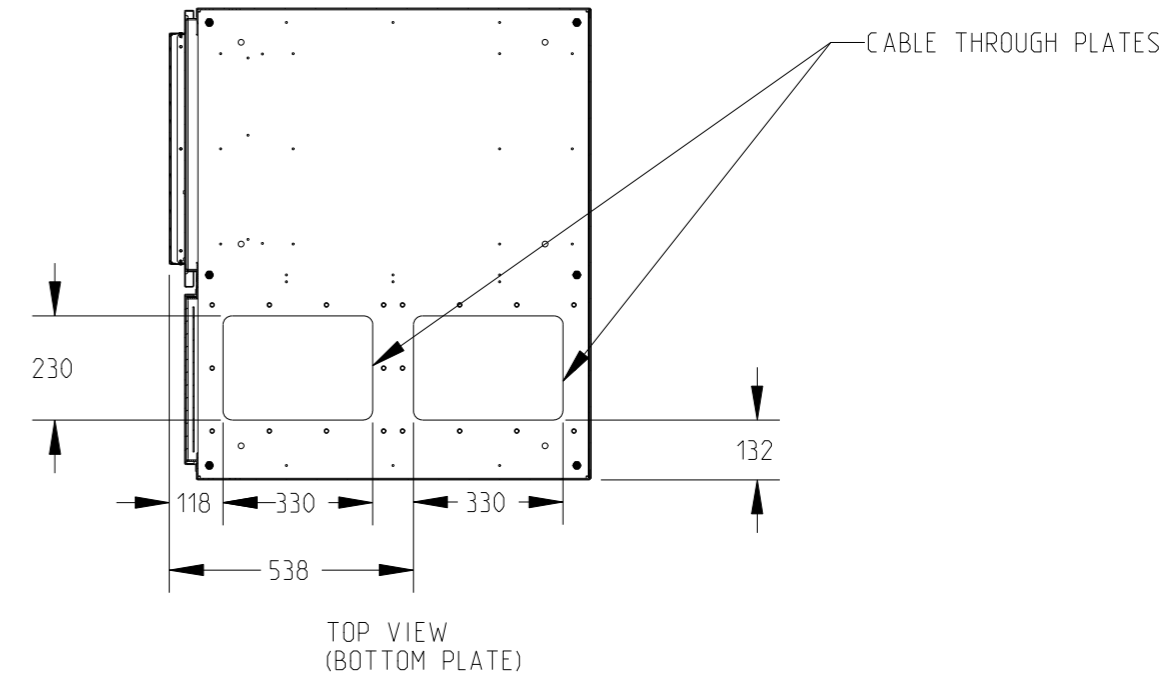
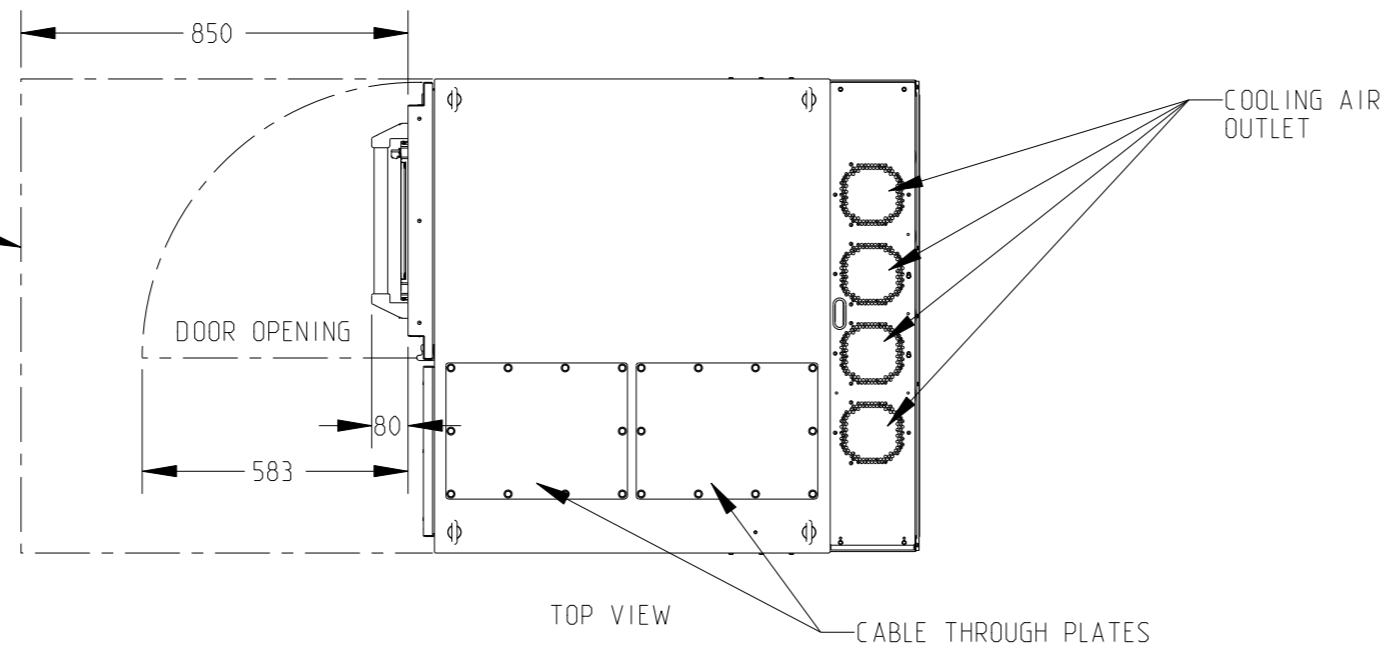
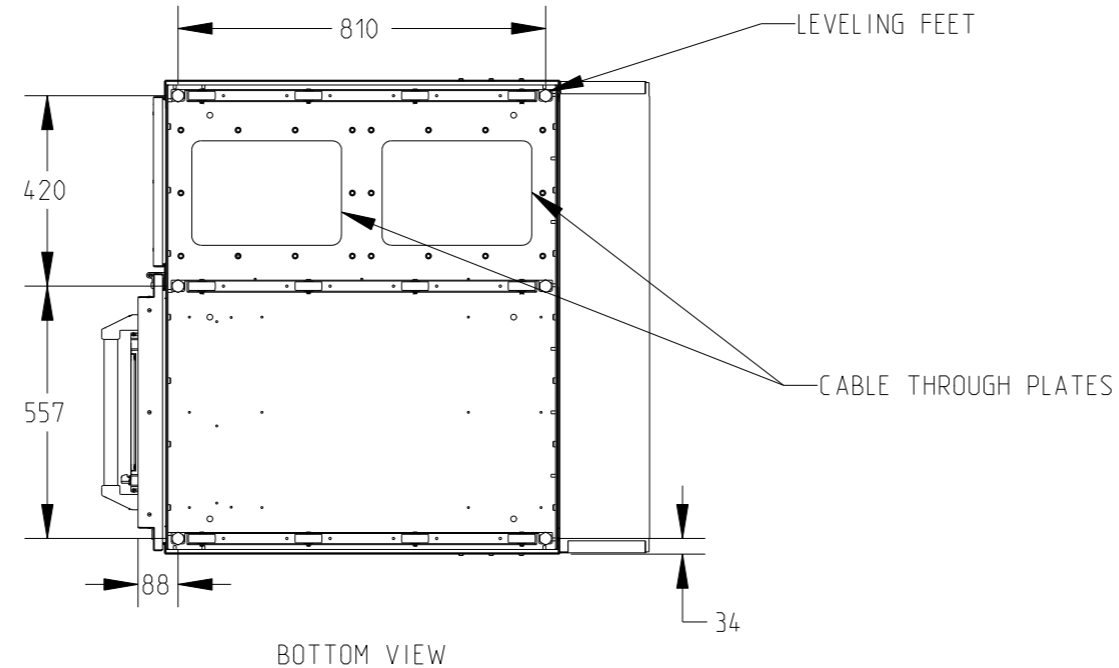
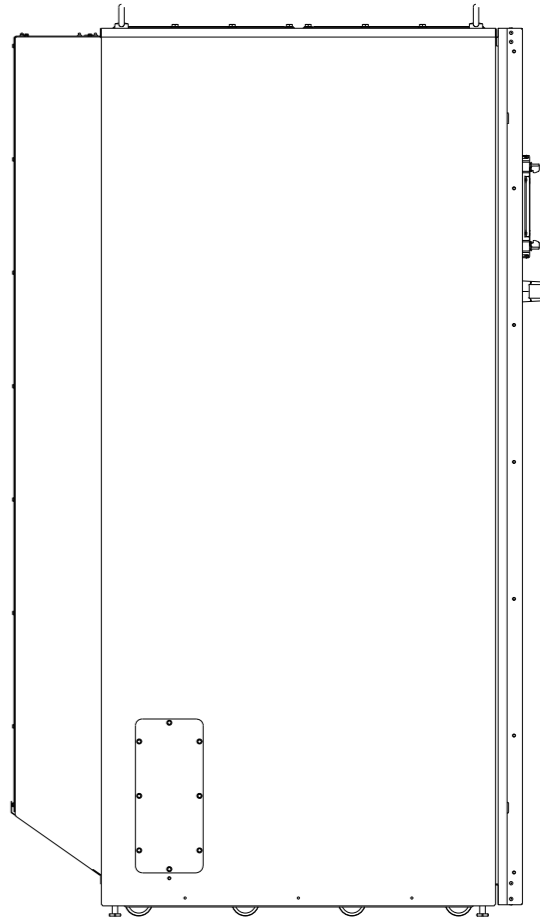
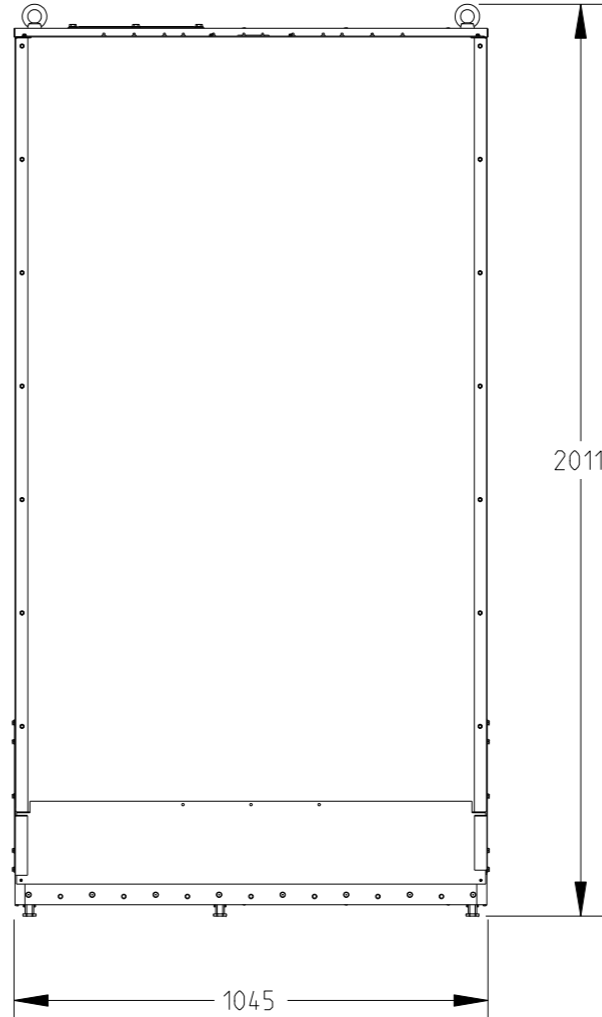
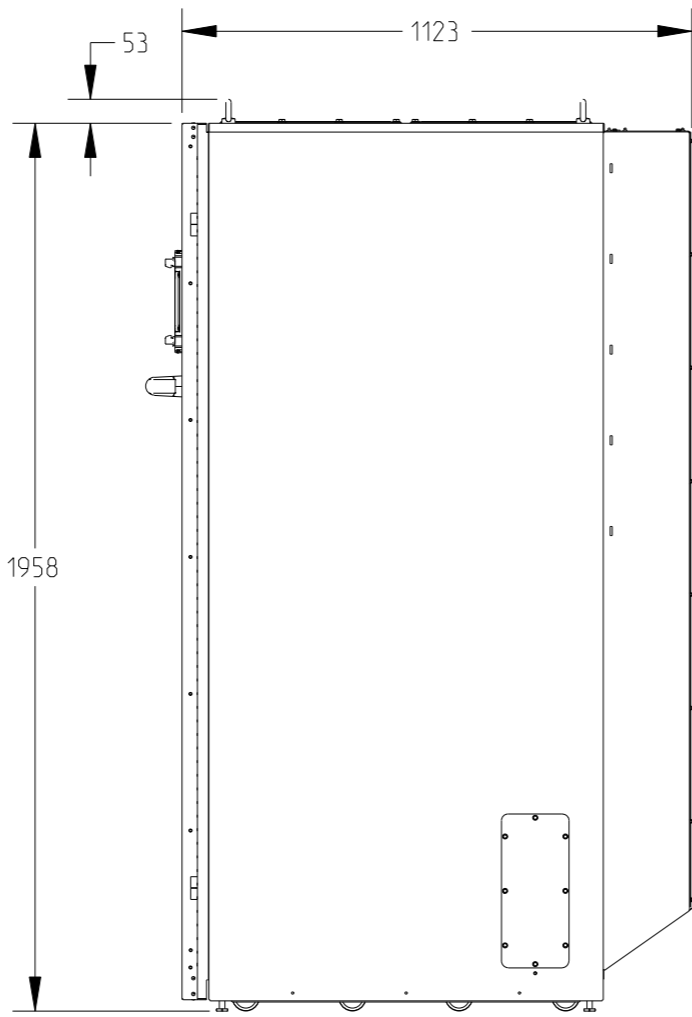
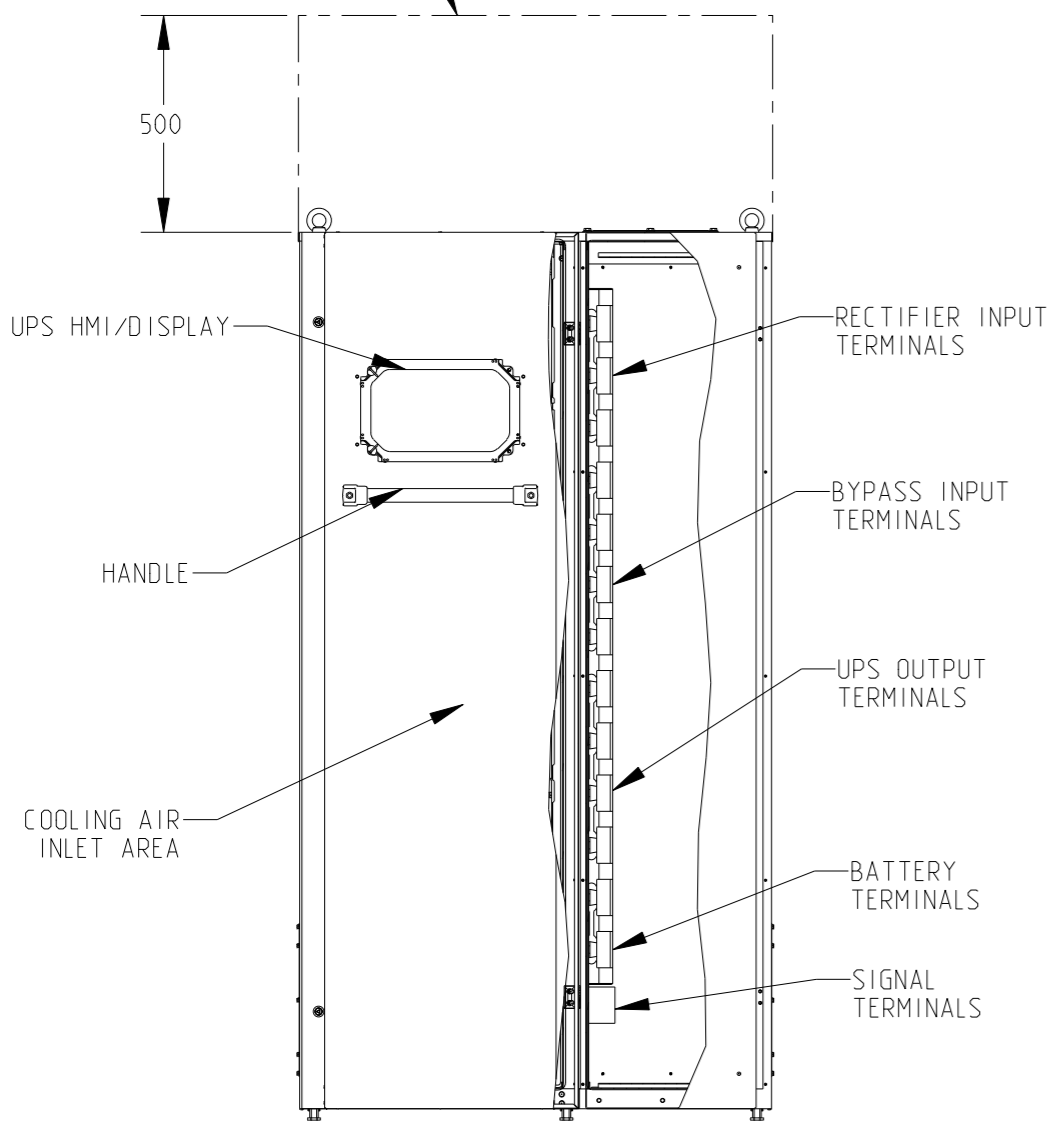


CLEARANCE NEEDED IN FRONT OF THE UNITS FOR MAINTENANCE PURPOSES



FREE SPACE MINIMUM ON TOP FOR COOLING AIR



Maximum weights	80-100 kW with internal transformer	120-150 kW	180-200 kW
Shipping weight	1020 kg	700 kg	780 kg
Installed weight	940 kg	620 kg	700 kg
Floor loading	1060 kg/m <sup>2</sup>	700 kg/m <sup>2</sup>	780 kg/m <sup>2</sup>

**METRIC** **EATON CORPORATION**

DESCRIPTION: D 9PHD UPS 80-200 kW INDUSTRIAL IP23/33 WITH TOP AIR EXHAUST

ORIGINATED: ALAPASSI T.	31 DEC 2015	ECO:	NAME:	REVISION: 001	SIZE: A2
CHECKED:		DOCUMENT TYPE:	HPO-1042259	STATE: RELEASE	SCALE: 3:50
SAFETY:		PRO-E DRAWING			SHEET: 1 OF 1
APPROVED:					

EATON CORPORATION - CONFIDENTIAL AND PROPRIETARY  
NOTICE TO PERSONS RECEIVING THIS DOCUMENT AND/OR TECHNICAL INFORMATION  
THIS DOCUMENT, INCLUDING THE DRAWING AND INFORMATION CONTAINED THEREON, IS CONFIDENTIAL AND IS THE EXCLUSIVE PROPERTY OF EATON CORPORATION, AND IS MERELY ON LOAN AND SUBJECT TO RECALL BY EATON AT ANY TIME. BY TAKING POSSESSION OF THIS DOCUMENT, THE RECIPIENT ACKNOWLEDGES AND AGREES THAT THIS DOCUMENT CANNOT BE USED IN ANY MANNER ADVERSE TO THE INTERESTS OF EATON AND THAT NO PORTION OF THIS DOCUMENT MAY BE COPIED OR OTHERWISE REPRODUCED WITHOUT THE PRIOR WRITTEN CONSENT OF EATON. IN THE CASE OF CONFLICTING CONTRACTUAL PROVISIONS, THIS NOTICE SHALL GOVERN THE STATUS OF THIS DOCUMENT.