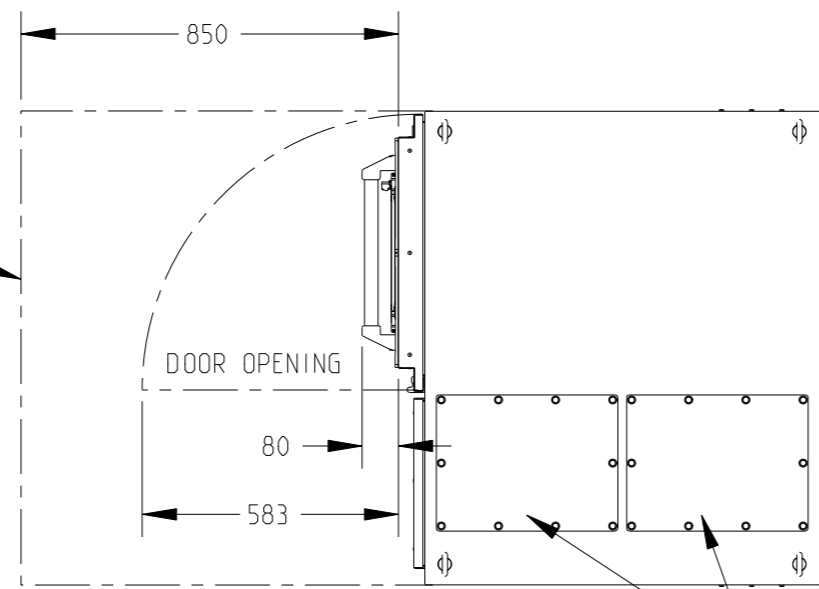
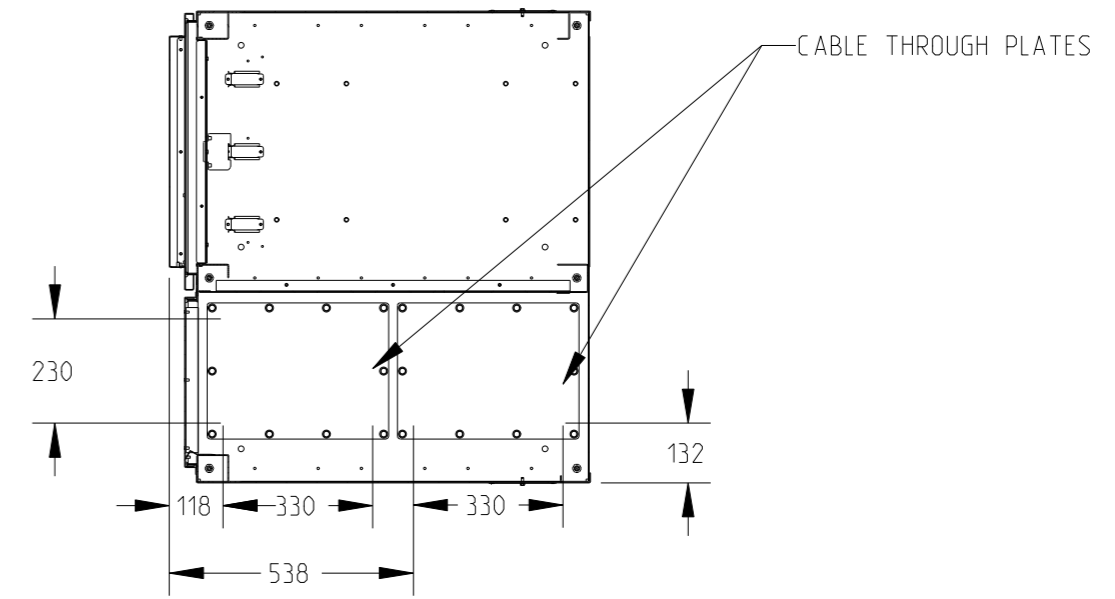


CLEARANCE NEEDED
IN FRONT OF THE UNITS FOR
MAINTENANCE PURPOSES

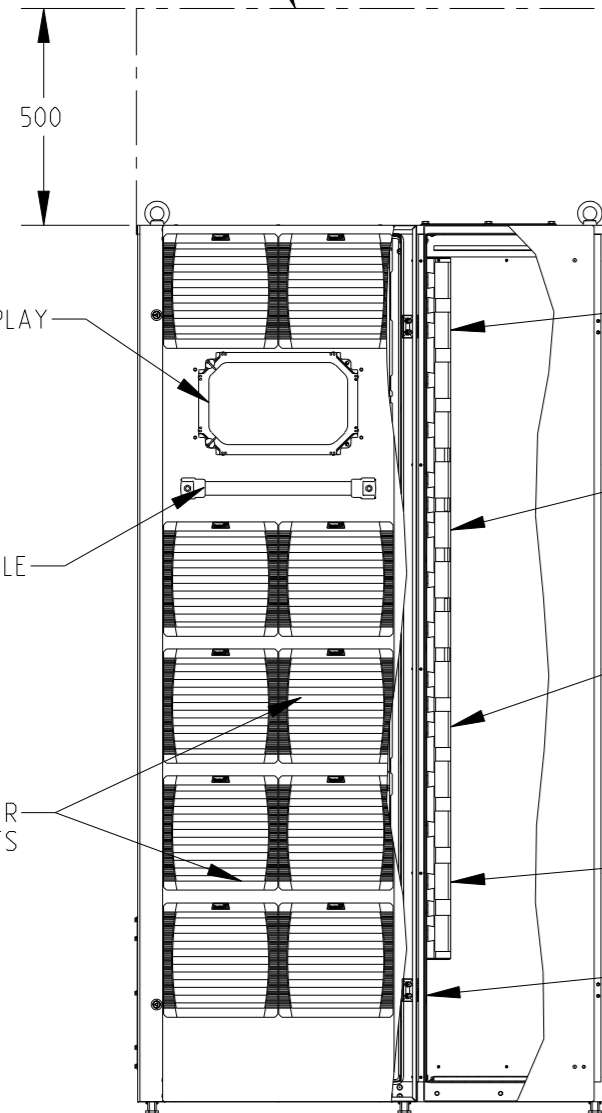


TOP VIEW
CABLE THROUGH PLATES

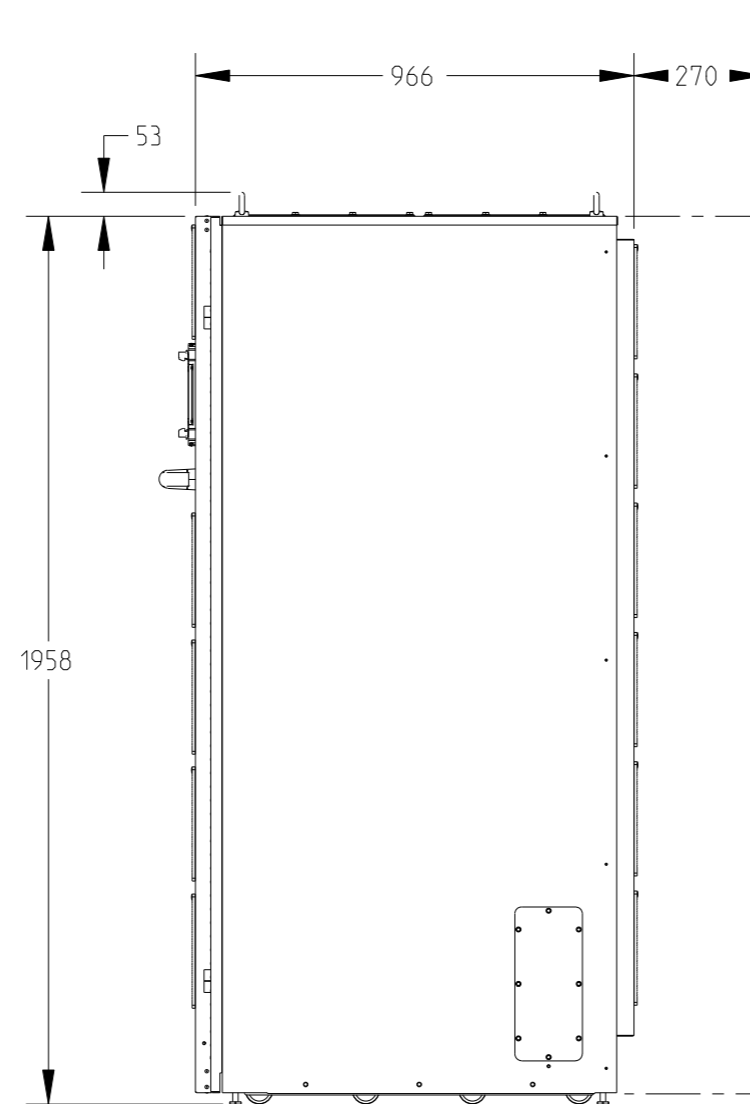


TOP VIEW
(BOTTOM PLATE)

FREE SPACE MINIMUM
ON TOP FOR COOLING AIR

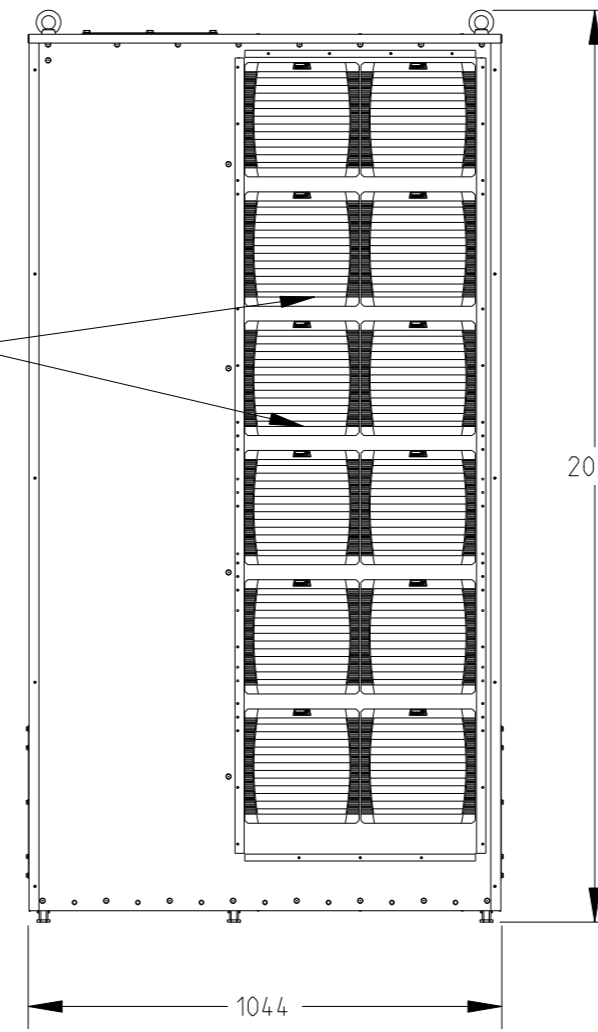


FRONT VIEW

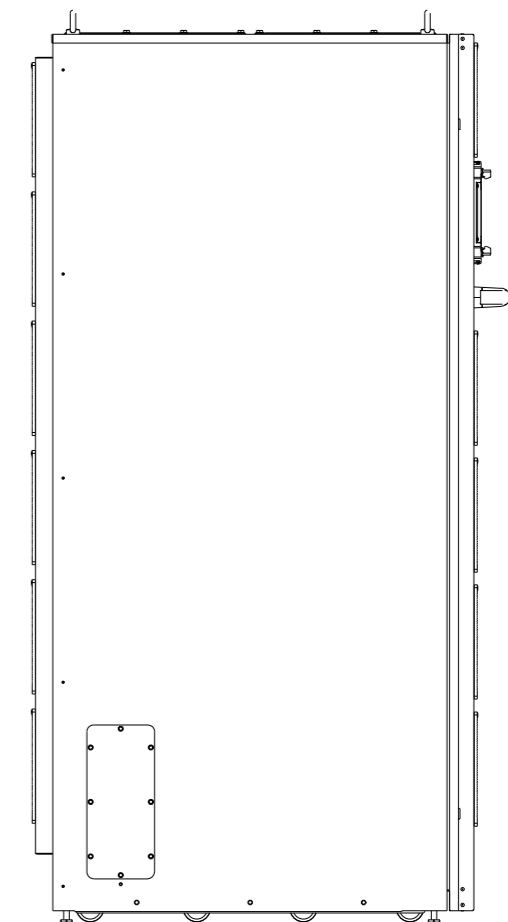


RIGHT VIEW

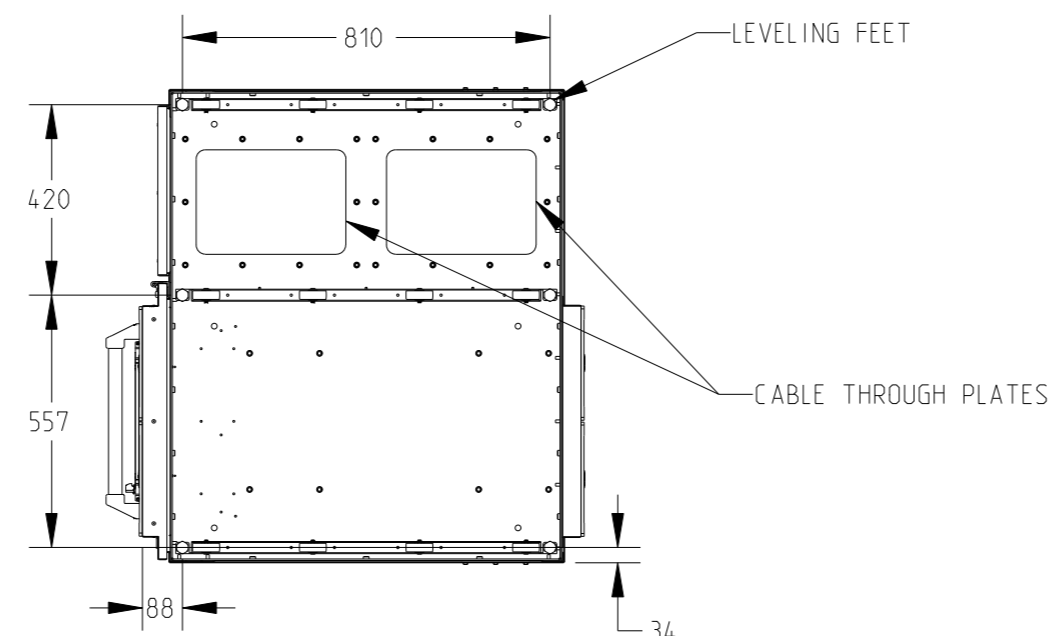
FREE SPACE MINIMUM
FOR COOLING AIR



REAR VIEW



LEFT VIEW



BOTTOM VIEW

Maximum weights	80 kW with internal transformer	120 kW	160 kW
Shipping weight	1020 kg	700 kg	780 kg
Installed weight	940 kg	620 kg	700 kg
Floor loading	1060 kg/m ²	700 kg/m ²	780 kg/m ²

METRIC	THIRD ANGLE PROJECTION	EATON CORPORATION		EATON	
DIMENSIONS ARE IN MILLIMETERS AFTER PLATING. DIMENSIONS AND TOLERANCES IN ACCORDANCE WITH ASME Y14.5M-1994. SEE NOTES FOR TOLERANCES.					
DESCRIPTION: D 9PHD UPS 80-160 KW INDUSTRIAL IP54					
ORIGINATED: ALAPASSI T.	24 FEB 2016	ECO:	NAME:	REVISION: 001	SIZE: A2
CHECKED:		DOCUMENT TYPE:	HPO-1042386	STATE: RELEASE	SCALE: 3:50
SAFETY:		PRO-E DRAWING			SHEET: 1 OF 1
APPROVED:					
<p>EATON CORPORATION - CONFIDENTIAL AND PROPRIETARY</p> <p>NOTICE TO PERSONS RECEIVING THIS DOCUMENT AND/OR TECHNICAL INFORMATION</p> <p>THIS DOCUMENT, INCLUDING THE DRAWING AND INFORMATION CONTAINED THEREON, IS CONFIDENTIAL AND IS THE EXCLUSIVE PROPERTY OF EATON CORPORATION, AND IS MERELY ON LOAN AND SUBJECT TO RECALL BY EATON AT ANY TIME. BY TAKING POSSESSION OF THIS DOCUMENT, THE RECIPIENT ACKNOWLEDGES AND AGREES THAT THIS DOCUMENT CANNOT BE USED IN ANY MANNER ADVERSE TO THE INTERESTS OF EATON AND THAT NO PORTION OF THIS DOCUMENT MAY BE COPIED OR OTHERWISE REPRODUCED WITHOUT THE PRIOR WRITTEN CONSENT OF EATON. IN THE CASE OF CONFLICTING CONTRACTUAL PROVISIONS, THIS NOTICE SHALL GOVERN THE STATUS OF THIS DOCUMENT.</p> <p>© 2011 Eaton Corporation - All Rights Reserved.</p>					