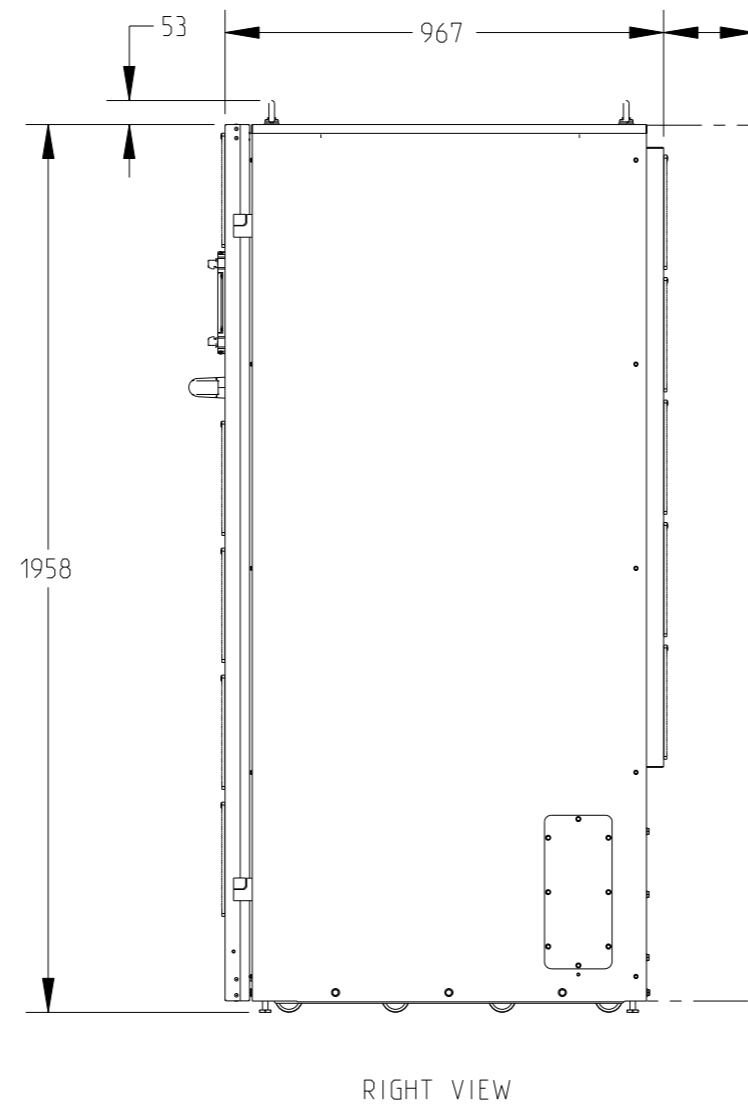
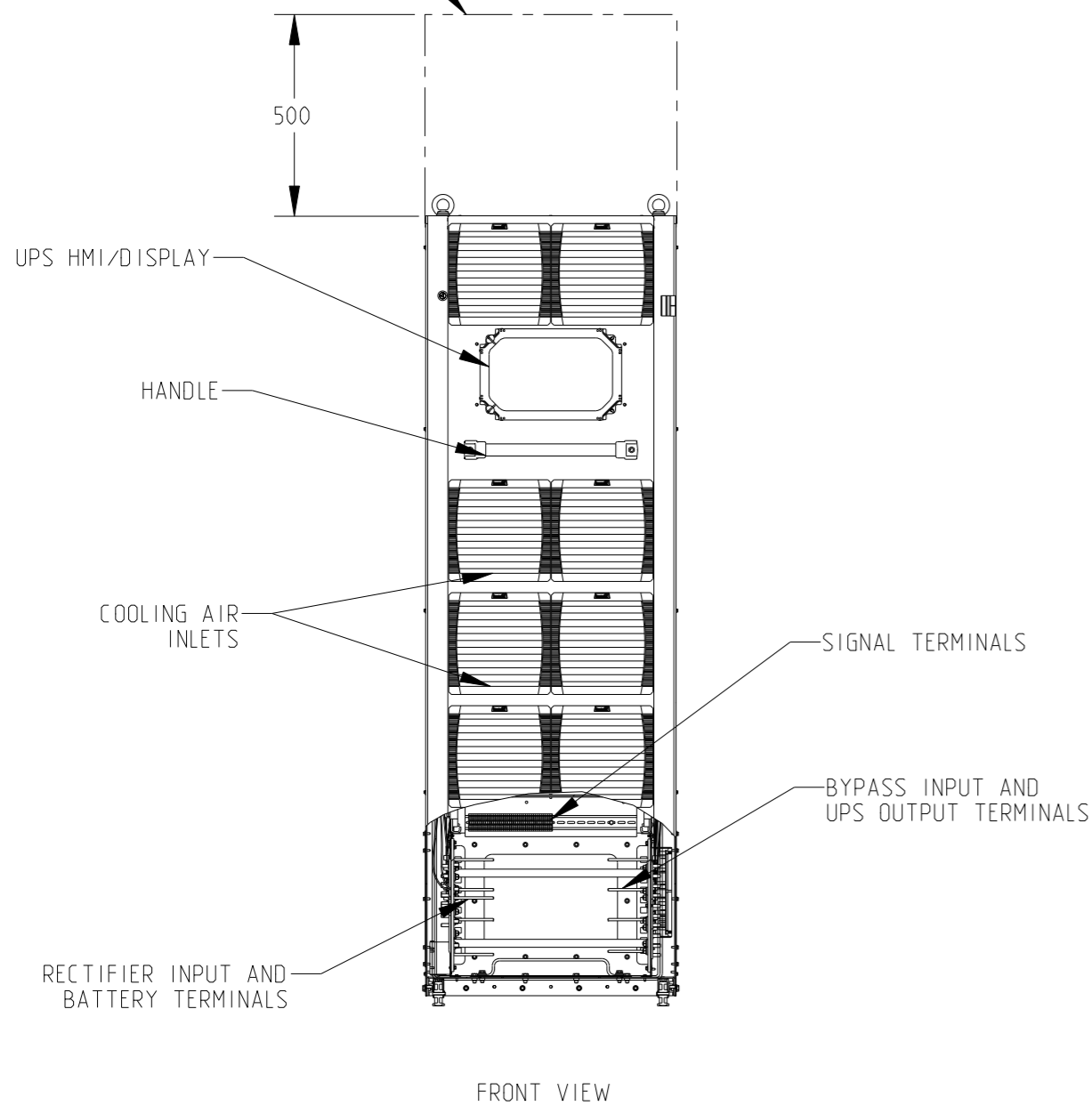


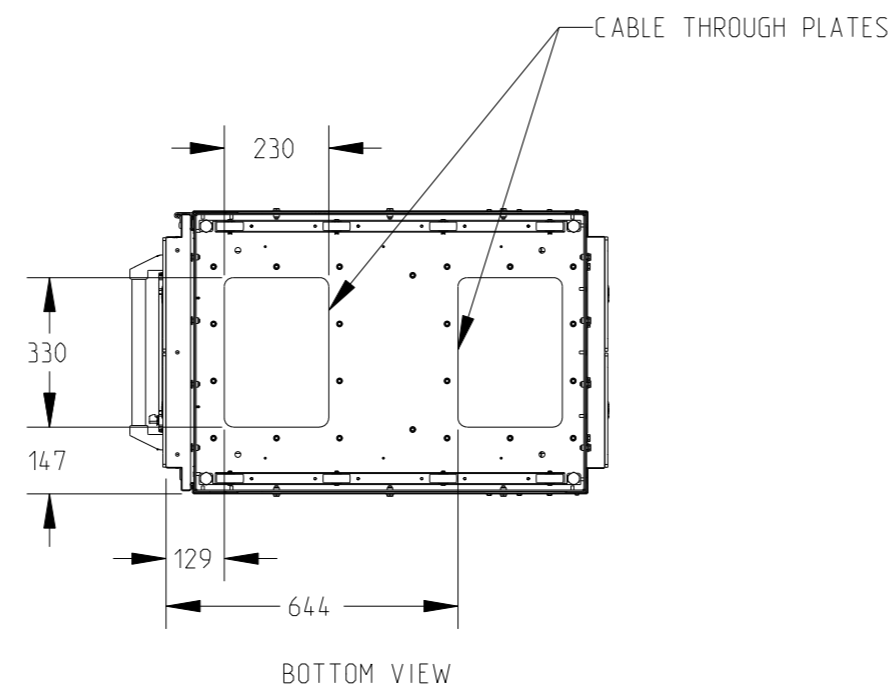
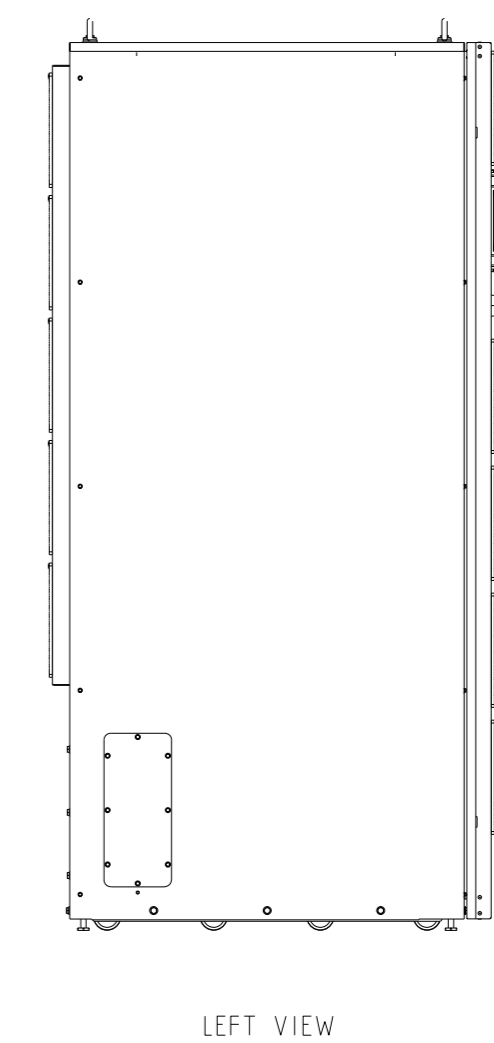
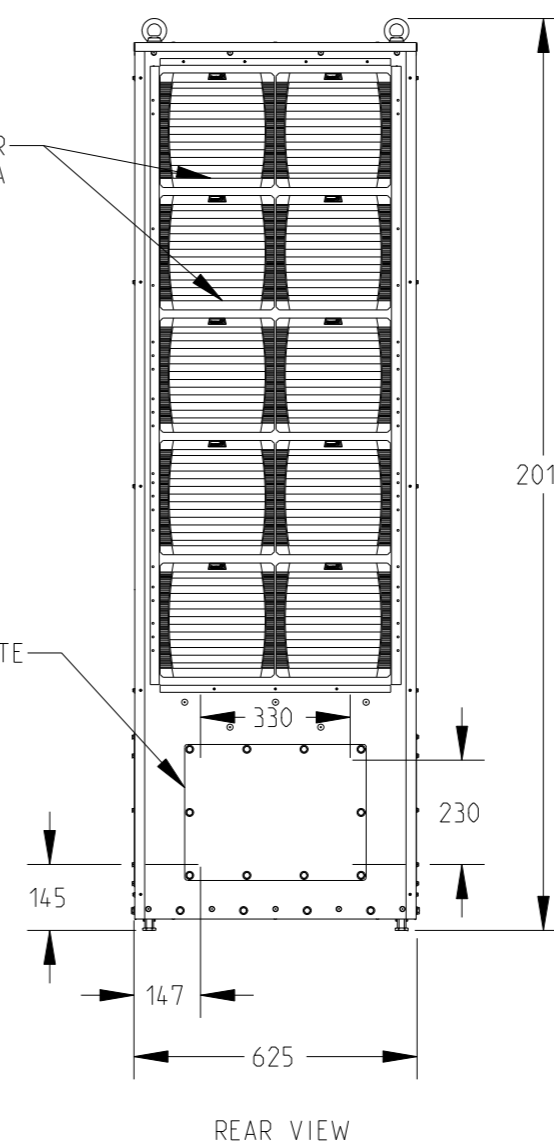
FREE SPACE MINIMUM ON TOP FOR COOLING AIR



FREE SPACE MINIMUM FOR COOLING AIR

COOLING AIR OUTLET AREA

CABLE THROUGH PLATE



| Maximum weights and floor loading | 30-40 kW without internal transformer | 30-40 kW with internal transformer | 30-40 kW with 2 internal transformers | 80 kW without internal transformer |
|-----------------------------------|---------------------------------------|------------------------------------|---------------------------------------|------------------------------------|
| Shipping weight | 350 kg | 590 kg | 830 kg | 430 kg |
| Installed weight | 290 kg | 530 kg | 770 kg | 370 kg |
| Floor loading | 565 kg/m ² | 1030 kg/m ² | 1500 kg/m ² | 720 kg/m ² |

(*) MIN. 300 MM WITH 2 INTERNAL TRANSFORMERS

| | | | | | | | |
|---|-------------|------------------------|-------------|-------------------|----------|-------|--|
| METRIC | | THIRD ANGLE PROJECTION | | EATON CORPORATION | | EATON | |
| DIMENSIONS ARE IN MILLIMETERS AFTER PLATING. DIMENSIONS AND TOLERANCES IN ACCORDANCE WITH ASME Y14.5M-1994. SEE NOTES FOR TOLERANCES. | | | | | | | |
| DESCRIPTION: D 9PHD UPS 30-80 KW INDUSTRIAL IP54 | | | | | | | |
| ORIGINATED: ALAPASSI T. | 24 FEB 2016 | ECO: | NAME: | REVISION: 001 | SIZE: A2 | | |
| MODIFIED: | | | | | SCALE: | | |
| CHECKED: | | DOCUMENT TYPE: | HPO-1042384 | STATE: RELEASE | 3:50 | | |
| SAFETY: | | PRO-E DRAWING | | | SHEET: | | |
| APPROVED: | | | | | 1 OF 1 | | |

EATON CORPORATION - CONFIDENTIAL AND PROPRIETARY
 NOTICE TO PERSONS RECEIVING THIS DOCUMENT AND/OR TECHNICAL INFORMATION
 THIS DOCUMENT, INCLUDING THE DRAWING AND INFORMATION CONTAINED THEREON, IS CONFIDENTIAL AND IS THE EXCLUSIVE PROPERTY OF EATON CORPORATION, AND IS MERELY ON LOAN AND SUBJECT TO RECALL BY EATON AT ANY TIME. BY TAKING POSSESSION OF THIS DOCUMENT, THE RECIPIENT ACKNOWLEDGES AND AGREES THAT THIS DOCUMENT CANNOT BE USED IN ANY MANNER ADVERSE TO THE INTERESTS OF EATON AND THAT NO PORTION OF THIS DOCUMENT MAY BE COPIED OR OTHERWISE REPRODUCED WITHOUT THE PRIOR WRITTEN CONSENT OF EATON. IN THE CASE OF CONFLICTING CONTRACTUAL PROVISIONS, THIS NOTICE SHALL GOVERN THE STATUS OF THIS DOCUMENT.
 © 2011 Eaton Corporation - All Rights Reserved.