



EXTERNAL MBS 20kW WITH BYPASS AND
RECTIFIER INPUT BREAKER

Product number: P-105000044-004

METRIC



EATON CORPORATION



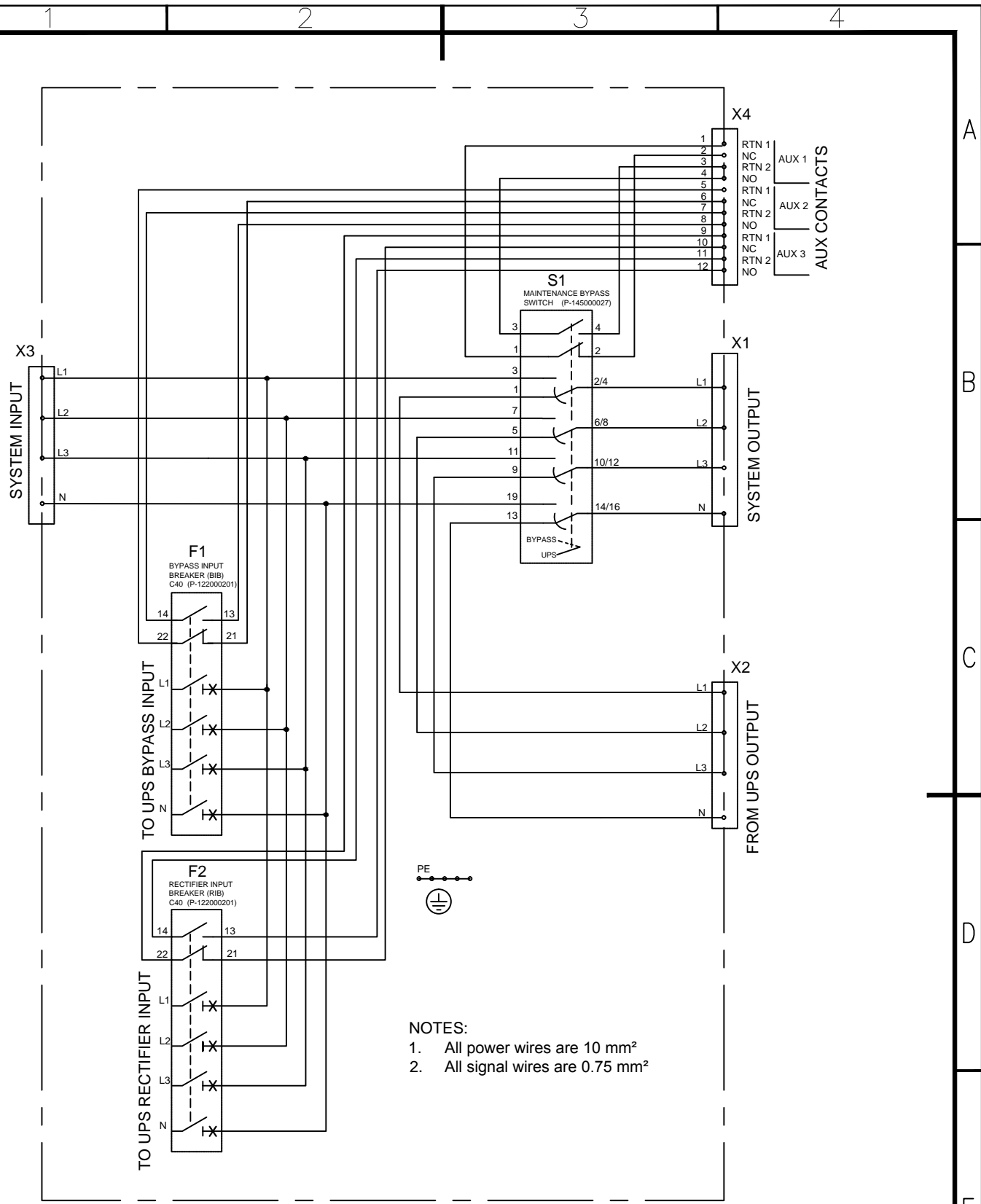
DIMENSIONS ARE IN MILLIMETERS AFTER PLATING, DIMENSIONS AND TOLERANCES IN ACCORDANCE WITH ASME Y14.5M-1994. SEE NOTES FOR TOLERANCES.

DESCRIPTION: EXTERNAL MBS 20kW WITH BIB AND RIB (SINGLE FEED)

ORIGINATED: E5900083 /JP	13.05.2015	ECO:	NAME:	REVISION:	SIZE: A4
MODIFIED: E5900083/JP	20.11.2015	ECD-092408	P-110000473-004	001	NOT TO SCALE
CHECKED: E5900525/TMK		DOCUMENT TYPE:		STATE:	SHEET:
SAFETY:		AUTOCAD DRAWING		Release	1 OF 8
APPROVED: E5900096/JE		Common sheet			

EATON CORPORATION - CONFIDENTIAL AND PROPRIETARY
NOTICE TO PERSONS RECEIVING THIS DOCUMENT AND/OR TECHNICAL INFORMATION

THIS DOCUMENT, INCLUDING THE DRAWING AND INFORMATION CONTAINED THEREON, IS CONFIDENTIAL AND IS THE EXCLUSIVE PROPERTY OF EATON CORPORATION, AND IS MERELY ON LOAN AND SUBJECT TO RECALL BY EATON AT ANY TIME. BY TAKING POSSESSION OF THIS DOCUMENT, THE RECIPIENT ACKNOWLEDGES AND AGREES THAT THIS DOCUMENT CANNOT BE USED IN ANY MANNER ADVERSE TO THE INTERESTS OF EATON AND THAT NO PORTION OF THIS DOCUMENT MAY BE COPIED OR OTHERWISE REPRODUCED WITHOUT THE PRIOR WRITTEN CONSENT OF EATON. IN THE CASE OF CONFLICTING CONTRACTUAL PROVISIONS, THIS NOTICE SHALL GOVERN THE STATUS OF THIS DOCUMENT.



- NOTES:
1. All power wires are 10 mm²
 2. All signal wires are 0.75 mm²

METRIC



EATON CORPORATION



DIMENSIONS ARE IN MILLIMETERS AFTER PLATING, DIMENSIONS AND TOLERANCES IN ACCORDANCE WITH ASME Y14.5M-1994. SEE NOTES FOR TOLERANCES.

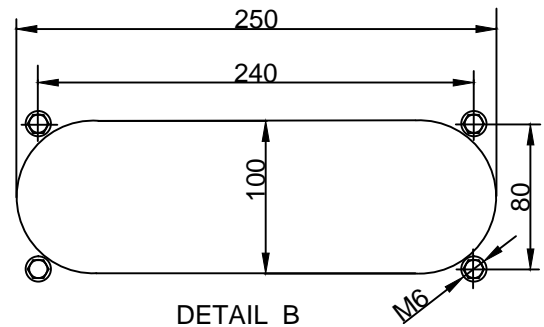
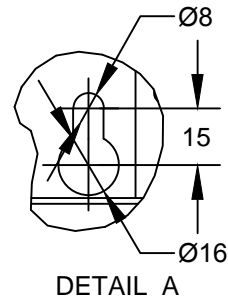
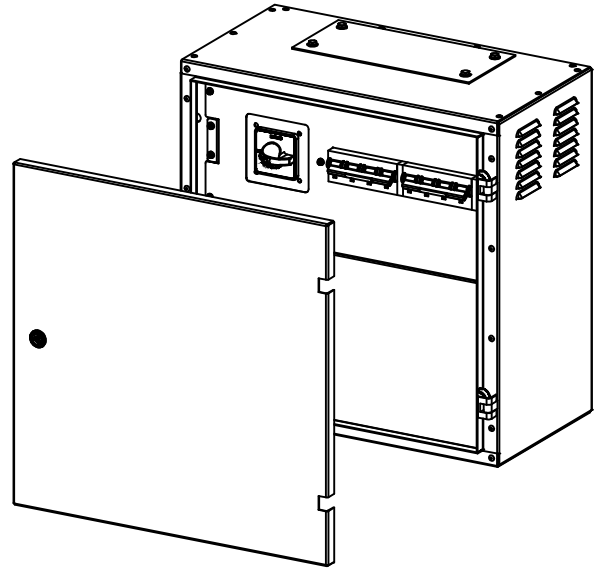
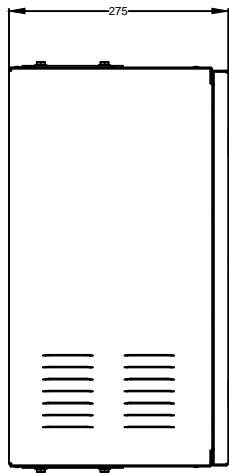
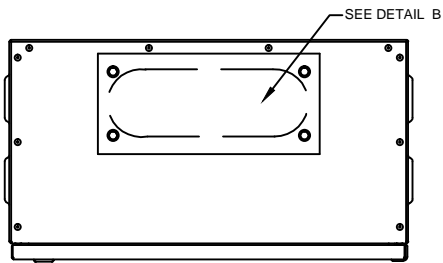
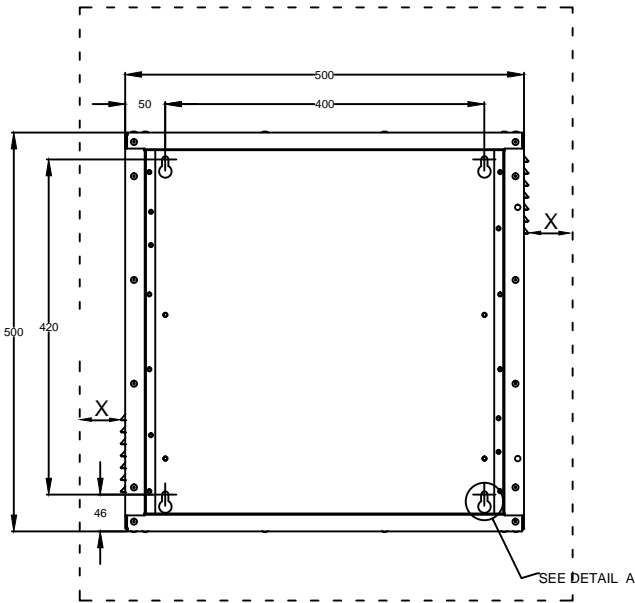
DESCRIPTION: EXTERNAL MBS 20kW WITH BIB AND RIB (SINGLE FEED)

ORIGINATED: E5900083 /JP	13.05.2015	ECO:	NAME:	REVISION:	SIZE: A4
MODIFIED: E5900083/JP	20.11.2015	ECO-092408	P-110000473-004	001	NOT TO SCALE
CHECKED: E5900525/TMK		DOCUMENT TYPE:		STATE:	SHEET:
SAFETY:		AUTOCAD DRAWING		Release	2 OF 8
APPROVED: E5900096/JE			Switchgear diagram		

EATON CORPORATION - CONFIDENTIAL AND PROPRIETARY
 NOTICE TO PERSONS RECEIVING THIS DOCUMENT AND/OR TECHNICAL INFORMATION

THIS DOCUMENT, INCLUDING THE DRAWING AND INFORMATION CONTAINED THEREON, IS CONFIDENTIAL AND IS THE EXCLUSIVE PROPERTY OF EATON CORPORATION, AND IS MERELY ON LOAN AND SUBJECT TO RECALL BY EATON AT ANY TIME. BY TAKING POSSESSION OF THIS DOCUMENT, THE RECIPIENT ACKNOWLEDGES AND AGREES THAT THIS DOCUMENT CANNOT BE USED IN ANY MANNER ADVERSE TO THE INTERESTS OF EATON AND THAT NO PORTION OF THIS DOCUMENT MAY BE COPIED OR OTHERWISE REPRODUCED WITHOUT THE PRIOR WRITTEN CONSENT OF EATON. IN THE CASE OF CONFLICTING CONTRACTUAL PROVISIONS, THIS NOTICE SHALL GOVERN THE STATUS OF THIS DOCUMENT.

X = clearance at both sides of cabinet min. 50mm



METRIC



EATON CORPORATION



DIMENSIONS ARE IN MILLIMETERS AFTER PLATING, DIMENSIONS AND TOLERANCES IN ACCORDANCE WITH ASME Y14.5M-1994. SEE NOTES FOR TOLERANCES.

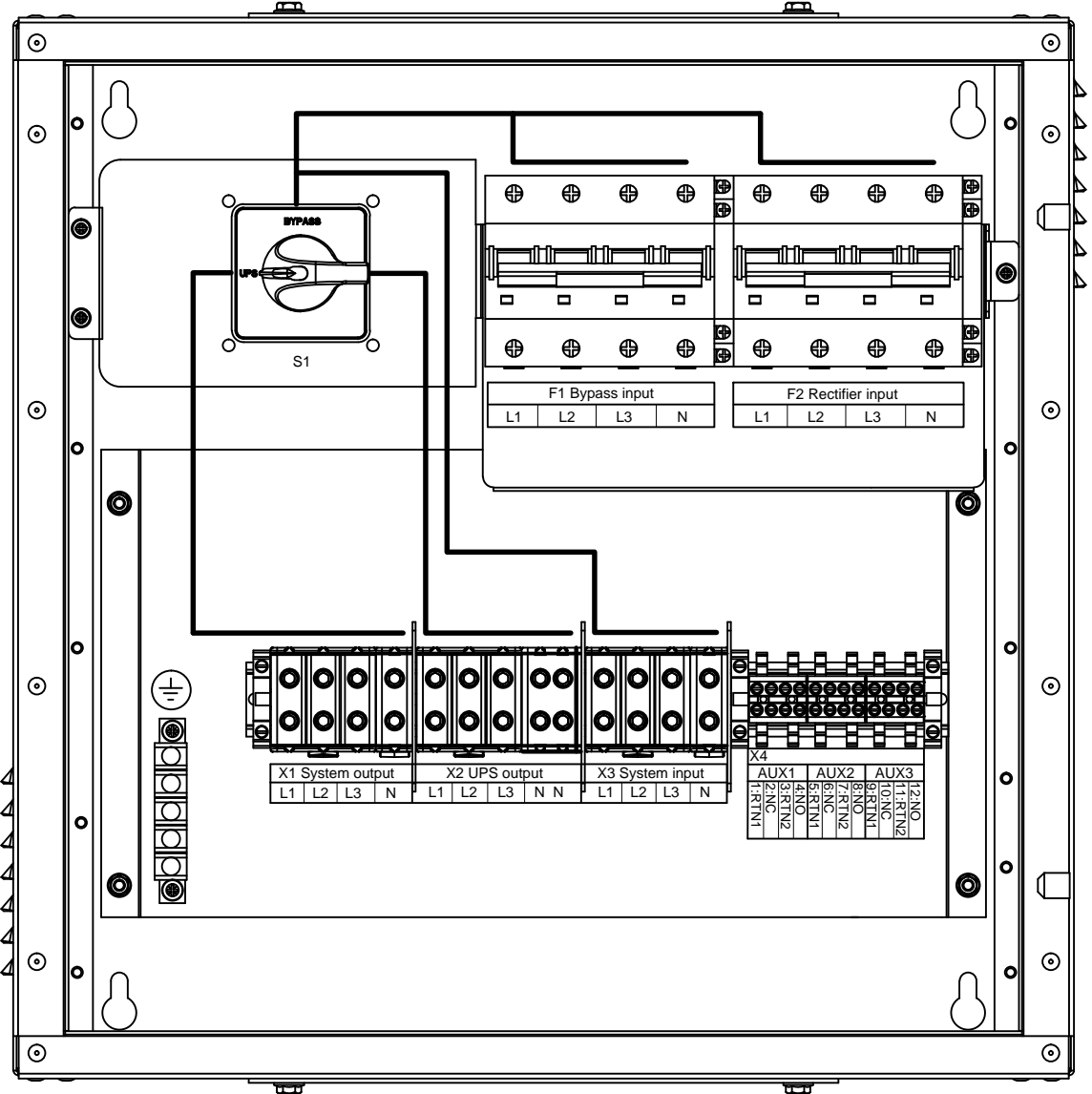
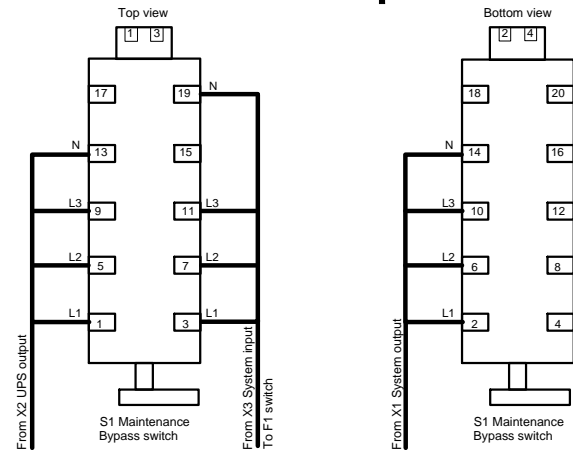
DESCRIPTION: EXTERNAL MBS 20kW WITH BIB AND RIB (SINGLE FEED)

ORIGINATED: E5900083 /JP	13.05.2015	ECO:	NAME:	REVISION:	SIZE: A4
MODIFIED: E5900083/JP	20.11.2015	ECO-092408	P-110000473-004	001	NOT TO SCALE
CHECKED: E5900525/TMK		DOCUMENT TYPE:		STATE:	SHEET:
SAFETY:		AUTOCAD DRAWING		Release	3 OF 8
APPROVED: E5900096/JE		Dimension diagram			

EATON CORPORATION - CONFIDENTIAL AND PROPRIETARY
NOTICE TO PERSONS RECEIVING THIS DOCUMENT AND/OR TECHNICAL INFORMATION

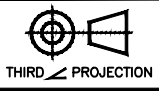
THIS DOCUMENT, INCLUDING THE DRAWING AND INFORMATION CONTAINED THEREON, IS CONFIDENTIAL AND IS THE EXCLUSIVE PROPERTY OF EATON CORPORATION, AND IS MERELY ON LOAN AND SUBJECT TO RECALL BY EATON AT ANY TIME. BY TAKING POSSESSION OF THIS DOCUMENT, THE RECIPIENT ACKNOWLEDGES AND AGREES THAT THIS DOCUMENT CANNOT BE USED IN ANY MANNER ADVERSE TO THE INTERESTS OF EATON AND THAT NO PORTION OF THIS DOCUMENT MAY BE COPIED OR OTHERWISE REPRODUCED WITHOUT THE PRIOR WRITTEN CONSENT OF EATON. IN THE CASE OF CONFLICTING CONTRACTUAL PROVISIONS, THIS NOTICE SHALL GOVERN THE STATUS OF THIS DOCUMENT.

1 2 3 4



A
B
C
D
E

METRIC



EATON CORPORATION



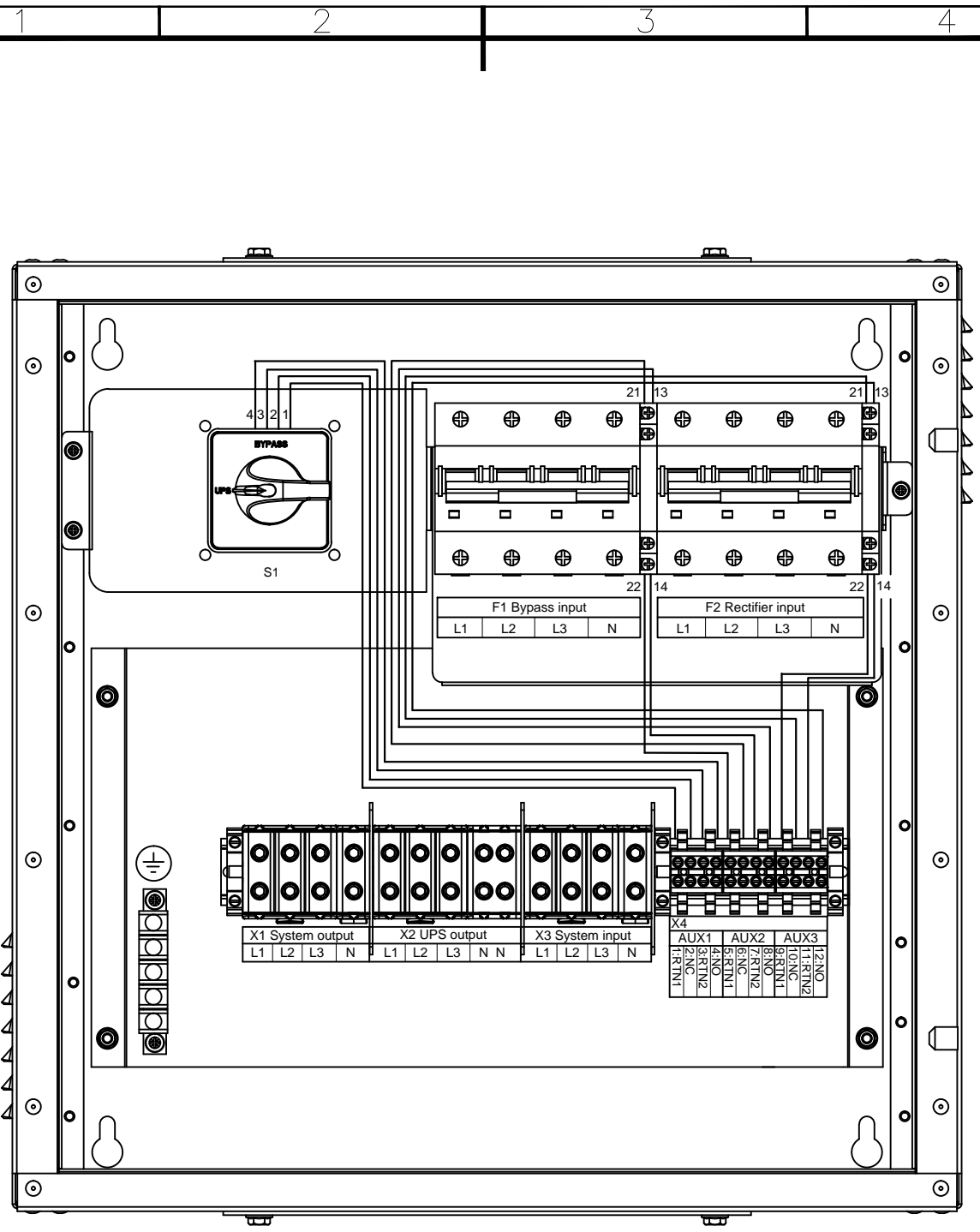
DIMENSIONS ARE IN MILLIMETERS AFTER PLATING, DIMENSIONS AND TOLERANCES IN ACCORDANCE WITH ASME Y14.5M-1994. SEE NOTES FOR TOLERANCES.

DESCRIPTION: EXTERNAL MBS 20kW WITH BIB AND RIB (SINGLE FEED)

ORIGINATED: E5900083 /JP	13.05.2015	ECO:	NAME:	REVISION:	SIZE: A4
MODIFIED: E5900083/JP	20.11.2015	ECO-092408	P-110000473-004	001	NOT TO SCALE
CHECKED: E5900525/TMK		DOCUMENT TYPE:		STATE:	SHEET:
SAFETY:		AUTOCAD DRAWING		Release	4 OF 8
APPROVED: E5900096/JE		Component layout and power wiring diagram			

EATON CORPORATION - CONFIDENTIAL AND PROPRIETARY
NOTICE TO PERSONS RECEIVING THIS DOCUMENT AND/OR TECHNICAL INFORMATION

THIS DOCUMENT, INCLUDING THE DRAWING AND INFORMATION CONTAINED THEREON, IS CONFIDENTIAL AND IS THE EXCLUSIVE PROPERTY OF EATON CORPORATION, AND IS MERELY ON LOAN AND SUBJECT TO RECALL BY EATON AT ANY TIME. BY TAKING POSSESSION OF THIS DOCUMENT, THE RECIPIENT ACKNOWLEDGES AND AGREES THAT THIS DOCUMENT CANNOT BE USED IN ANY MANNER ADVERSE TO THE INTERESTS OF EATON AND THAT NO PORTION OF THIS DOCUMENT MAY BE COPIED OR OTHERWISE REPRODUCED WITHOUT THE PRIOR WRITTEN CONSENT OF EATON. IN THE CASE OF CONFLICTING CONTRACTUAL PROVISIONS, THIS NOTICE SHALL GOVERN THE STATUS OF THIS DOCUMENT.



METRIC



EATON CORPORATION



DIMENSIONS ARE IN MILLIMETERS AFTER PLATING, DIMENSIONS AND TOLERANCES IN ACCORDANCE WITH ASME Y14.5M-1994. SEE NOTES FOR TOLERANCES.

DESCRIPTION: EXTERNAL MBS 20kW WITH BIB AND RIB (SINGLE FEED)

ORIGINATED: E5900083 /JP	13.05.2015	ECO:	NAME:	REVISION:	SIZE: A4
MODIFIED: E5900083/JP	20.11.2015	ECO-092408	P-110000473-004	001	NOT TO SCALE
CHECKED: E5900525/TMK		DOCUMENT TYPE:		STATE:	SHEET:
SAFETY:		AUTOCAD DRAWING		Release	5 OF 8
APPROVED: E5900096/JE		Control wiring Diagram			

EATON CORPORATION - CONFIDENTIAL AND PROPRIETARY
 NOTICE TO PERSONS RECEIVING THIS DOCUMENT AND/OR TECHNICAL INFORMATION


THIS DOCUMENT, INCLUDING THE DRAWING AND INFORMATION CONTAINED THEREON, IS CONFIDENTIAL AND IS THE EXCLUSIVE PROPERTY OF EATON CORPORATION, AND IS MERELY ON LOAN AND SUBJECT TO RECALL BY EATON AT ANY TIME. BY TAKING POSSESSION OF THIS DOCUMENT, THE RECIPIENT ACKNOWLEDGES AND AGREES THAT THIS DOCUMENT CANNOT BE USED IN ANY MANNER ADVERSE TO THE INTERESTS OF EATON AND THAT NO PORTION OF THIS DOCUMENT MAY BE COPIED OR OTHERWISE REPRODUCED WITHOUT THE PRIOR WRITTEN CONSENT OF EATON. IN THE CASE OF CONFLICTING CONTRACTUAL PROVISIONS, THIS NOTICE SHALL GOVERN THE STATUS OF THIS DOCUMENT.

A TECHNICAL SPECIFICATION
STANDARD IEC/EN 61439-2

TYPE PLATE, SAMPLE

MAINS TN-S, 5W/3P+N+PE, 380/400/415VAC 3~

- | | | |
|--------------------------|-----------|-------------------------------------|
| 1. Nominal Voltage | U_n | <u>380/400/415</u> V |
| 2. Nominal Current | I_{nA} | <u>30/29/28</u> A |
| 3. Maximum Current | I_{max} | <u>36</u> A |
| 4. Nominal Frequency | f_n | <u>50/60</u> Hz |
| 5. Operating Temperature | T | <u>max +40</u> °C |
| 6. Current capability | | |
| Thermal | I_{cc} | <u>10</u> kA *) |
| Dynamical | I_{pk} | <u> </u> kA |
| 7. Power dissipation | P | <u> </u> W |
| 8. Electrical Wiring AC | | |
| | L1 | <input checked="" type="checkbox"/> |
| | L2 | <input checked="" type="checkbox"/> |
| | L3 | <input checked="" type="checkbox"/> |
| | N | <input checked="" type="checkbox"/> |
| | PE | <input checked="" type="checkbox"/> |
| | PEN | <input type="checkbox"/> |



EXT MBS 20kW WITH BIB AND RIB (SF)

PART Nr: P-105000044-004 Rev:003

SERIAL Nr: 2761000100 1545

MAINS: TN-S CLASS: IP21




Un: 380/400/415V WEIGHT: 25kg

InA: 30 /29 /28A

fn: 50/60Hz

Icc: 10kA

IEC61439-2

Made in Finland

CONSTRUCTION OF SWITCHGEAR



- | | | |
|---------------------------|----------------------|-------------------------------------|
| 1. Enclosure Class | IP <u>21</u> | <input checked="" type="checkbox"/> |
| Outfield location | | <input type="checkbox"/> |
| Interior location | | <input checked="" type="checkbox"/> |
| 2. Installation | | |
| Surficial | | <input checked="" type="checkbox"/> |
| Wall mounting | | <input checked="" type="checkbox"/> |
| Floor mounting | | <input type="checkbox"/> |
| 3. Additional door | | <input checked="" type="checkbox"/> |
| Lock-up | | <input type="checkbox"/> |
| 4. Color | | |
| Common color | RAL7035 | <input type="checkbox"/> |
| Custom color | <u>Eaton dwg</u> | <input checked="" type="checkbox"/> |
| 5. Cabling entry | <u>164700509-001</u> | |
| Top entry | | <input checked="" type="checkbox"/> |
| Bottom entry | | <input checked="" type="checkbox"/> |
| Conduit flange of cable | | <input checked="" type="checkbox"/> |
| 6. Material specification | | |
| Cable material | <u>90°C, H07V2-K</u> | <input checked="" type="checkbox"/> |
| Cable U/Uo | <u>450/750</u> | <input checked="" type="checkbox"/> |
| Cover material | <u> </u> | <input type="checkbox"/> |
| Other demand | <u> </u> | <input type="checkbox"/> |
| 7. Handle location | <u>Door handle</u> | |
| | <u> </u> | <input type="checkbox"/> |
| | <u> </u> | <input type="checkbox"/> |
| | <u> </u> | <input type="checkbox"/> |
| | <u> </u> | <input type="checkbox"/> |

Note !

1. Back-up fuse required for system input 40A gG
2. For external wiring use wire with temperature class min +90°C
3. _____
4. _____
5. _____

C CUSTOMER ELECTRICAL INFORMATION

- | | | |
|---------------|--------|-------------------------------------|
| 1. MAINS | TN-C-S | <input type="checkbox"/> |
| | TN-S | <input checked="" type="checkbox"/> |
| | IT | <input type="checkbox"/> |
| 2. LOAD POWER | S | <u> </u> kVA |
| | P | <u> </u> kW |
| | p.f. | <u> </u> |

METRIC	 <p>THIRD ANGLE PROJECTION</p>	EATON CORPORATION	
DIMENSIONS ARE IN MILLIMETERS AFTER PLATING, DIMENSIONS AND TOLERANCES IN ACCORDANCE WITH ASME Y14.5M-1994. SEE NOTES FOR TOLERANCES.			
DESCRIPTION: EXTERNAL MBS 20kW WITH BIB AND RIB (SINGLE FEED)			
ORIGINATED: E5900083 /JP	13.05.2015	ECO: ECO-092408	NAME: P-110000473-004
MODIFIED: E5900083/JP	20.11.2015	DOCUMENT TYPE: AUTOCAD DRAWING	REVISION: 001
CHECKED: E5900525/TMK			STATE: Release
SAFETY:			SHEET: 6 OF 8
APPROVED: E5900096/JE		General information	

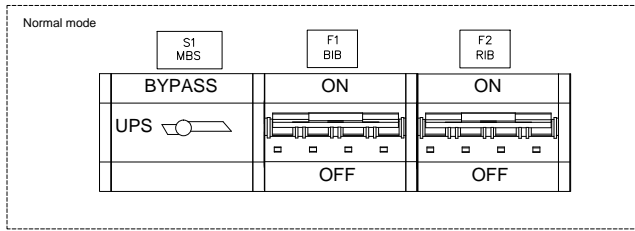
EATON CORPORATION - CONFIDENTIAL AND PROPRIETARY
NOTICE TO PERSONS RECEIVING THIS DOCUMENT AND/OR TECHNICAL INFORMATION

THIS DOCUMENT, INCLUDING THE DRAWING AND INFORMATION CONTAINED THEREON, IS CONFIDENTIAL AND IS THE EXCLUSIVE PROPERTY OF EATON CORPORATION, AND IS MERELY ON LOAN AND SUBJECT TO RECALL BY EATON AT ANY TIME. BY TAKING POSSESSION OF THIS DOCUMENT, THE RECIPIENT ACKNOWLEDGES AND AGREES THAT THIS DOCUMENT CANNOT BE USED IN ANY MANNER ADVERSE TO THE INTERESTS OF EATON AND THAT NO PORTION OF THIS DOCUMENT MAY BE COPIED OR OTHERWISE REPRODUCED WITHOUT THE PRIOR WRITTEN CONSENT OF EATON. IN THE CASE OF CONFLICTING CONTRACTUAL PROVISIONS, THIS NOTICE SHALL GOVERN THE STATUS OF THIS DOCUMENT.

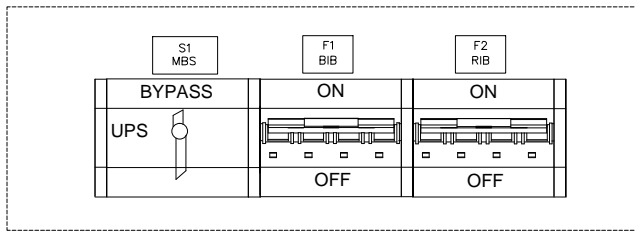
© 2011 Eaton Corporation - All Rights Reserved.

Turn UPS from NORMAL MODE to MECHANICAL BYPASS

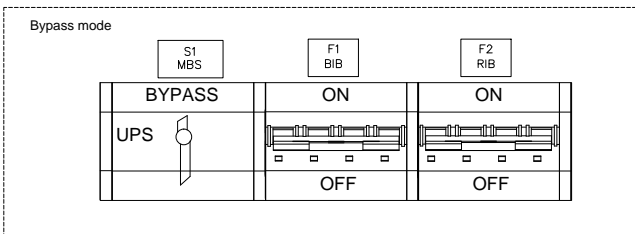
1. The start position is following:



2. Use UPS display to turn the UPS on internal static bypass mode. Remember to verify the transfer before proceeding the next step.
3. Turn the MBS (S1) to bypass position to bypass UPS:



4. Use UPS display to turn UPS OFF.
5. Turn the UPS Battery Breaker (CB1) if not automatically tripped and UPS Rectifier Input Switch (S1) to OFF position.
6. Turn OFF the BIB (F1) and RIB (F2) to disconnect UPS from bypass and rectifier input.



METRIC



THIRD ANGLE PROJECTION

EATON CORPORATION



DIMENSIONS ARE IN MILLIMETERS AFTER PLATING, DIMENSIONS AND TOLERANCES IN ACCORDANCE WITH ASME Y14.5M-1994. SEE NOTES FOR TOLERANCES.

DESCRIPTION: EXTERNAL MBS 20kW WITH BIB AND RIB (SINGLE FEED)

ORIGINATED: E5900083 /JP	13.05.2015	ECO:	NAME:	REVISION:	SIZE: A4
MODIFIED: E5900083/JP	20.11.2015	ECO-092408	P-110000473-004	001	NOT TO SCALE
CHECKED: E5900525/TMK		DOCUMENT TYPE:		STATE:	SHEET:
SAFETY:		AUTOCAD DRAWING		Release	7 OF 8
APPROVED: E5900096/JE		Operating Instructions			

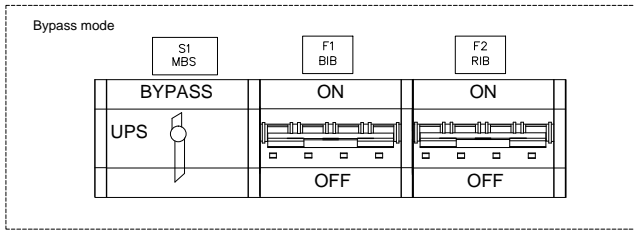
EATON CORPORATION - CONFIDENTIAL AND PROPRIETARY
NOTICE TO PERSONS RECEIVING THIS DOCUMENT AND/OR TECHNICAL INFORMATION

THIS DOCUMENT, INCLUDING THE DRAWING AND INFORMATION CONTAINED THEREON, IS CONFIDENTIAL AND IS THE EXCLUSIVE PROPERTY OF EATON CORPORATION, AND IS MERELY ON LOAN AND SUBJECT TO RECALL BY EATON AT ANY TIME. BY TAKING POSSESSION OF THIS DOCUMENT, THE RECIPIENT ACKNOWLEDGES AND AGREES THAT THIS DOCUMENT CANNOT BE USED IN ANY MANNER ADVERSE TO THE INTERESTS OF EATON AND THAT NO PORTION OF THIS DOCUMENT MAY BE COPIED OR OTHERWISE REPRODUCED WITHOUT THE PRIOR WRITTEN CONSENT OF EATON. IN THE CASE OF CONFLICTING CONTRACTUAL PROVISIONS, THIS NOTICE SHALL GOVERN THE STATUS OF THIS DOCUMENT.

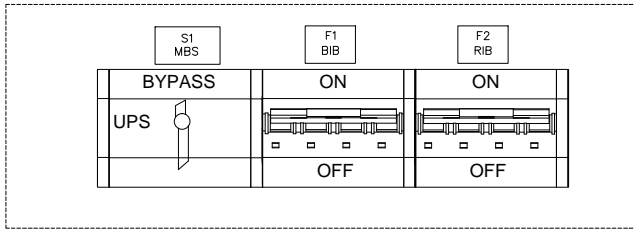
© 2011 Eaton Corporation - All Rights Reserved.

Turn UPS from MECHANICAL BYPASS to NORMAL MODE

1. The start position is following:



2. Turn ON the BIB (F1) and RIB (F2) to connect Bypass and rectifier input to UPS:

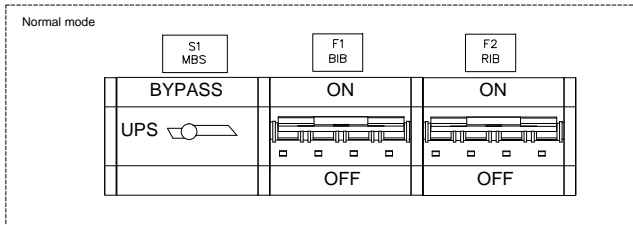


3. Turn the UPS Battery Breaker (CB1) and UPS Rectifier Input Switch (S1) to ON position.

4. Use UPS display to transfer the UPS to static bypass and give "Start Module" command to start the UPS(s) to "ready "-state.

- Make sure the UPS is not displaying any alarms or notices.
- You may verify the output voltage from the meters screen of the display.

5. Turn the MBS (S1) to UPS position to switch the output to UPS:



6. Use UPS display to transfer the UPS to normal mode (Give "Go Online"- command in the "Controls"-menu). Verify the UPS is running in "Normal"-mode, green LED is lit, status is displayed "Online" and no alarms are present.

METRIC



EATON CORPORATION



DIMENSIONS ARE IN MILLIMETERS AFTER PLATING, DIMENSIONS AND TOLERANCES IN ACCORDANCE WITH ASME Y14.5M-1994. SEE NOTES FOR TOLERANCES.

DESCRIPTION: EXTERNAL MBS 20kW WITH BIB AND RIB (SINGLE FEED)

ORIGINATED: E5900083 /JP	13.05.2015	ECO:	NAME:	REVISION:	SIZE: A4
MODIFIED: E5900083/JP	20.11.2015	ECO-092408	P-110000473-004	001	NOT TO SCALE
CHECKED: E5900525/TMK		DOCUMENT TYPE:		STATE:	SHEET:
SAFETY:		AUTOCAD DRAWING		Release	8 OF 8
APPROVED: E5900096/JE		Operating Instructions			

EATON CORPORATION - CONFIDENTIAL AND PROPRIETARY
NOTICE TO PERSONS RECEIVING THIS DOCUMENT AND/OR TECHNICAL INFORMATION

THIS DOCUMENT, INCLUDING THE DRAWING AND INFORMATION CONTAINED THEREON, IS CONFIDENTIAL AND IS THE EXCLUSIVE PROPERTY OF EATON CORPORATION, AND IS MERELY ON LOAN AND SUBJECT TO RECALL BY EATON AT ANY TIME. BY TAKING POSSESSION OF THIS DOCUMENT, THE RECIPIENT ACKNOWLEDGES AND AGREES THAT THIS DOCUMENT CANNOT BE USED IN ANY MANNER ADVERSE TO THE INTERESTS OF EATON AND THAT NO PORTION OF THIS DOCUMENT MAY BE COPIED OR OTHERWISE REPRODUCED WITHOUT THE PRIOR WRITTEN CONSENT OF EATON. IN THE CASE OF CONFLICTING CONTRACTUAL PROVISIONS, THIS NOTICE SHALL GOVERN THE STATUS OF THIS DOCUMENT.