



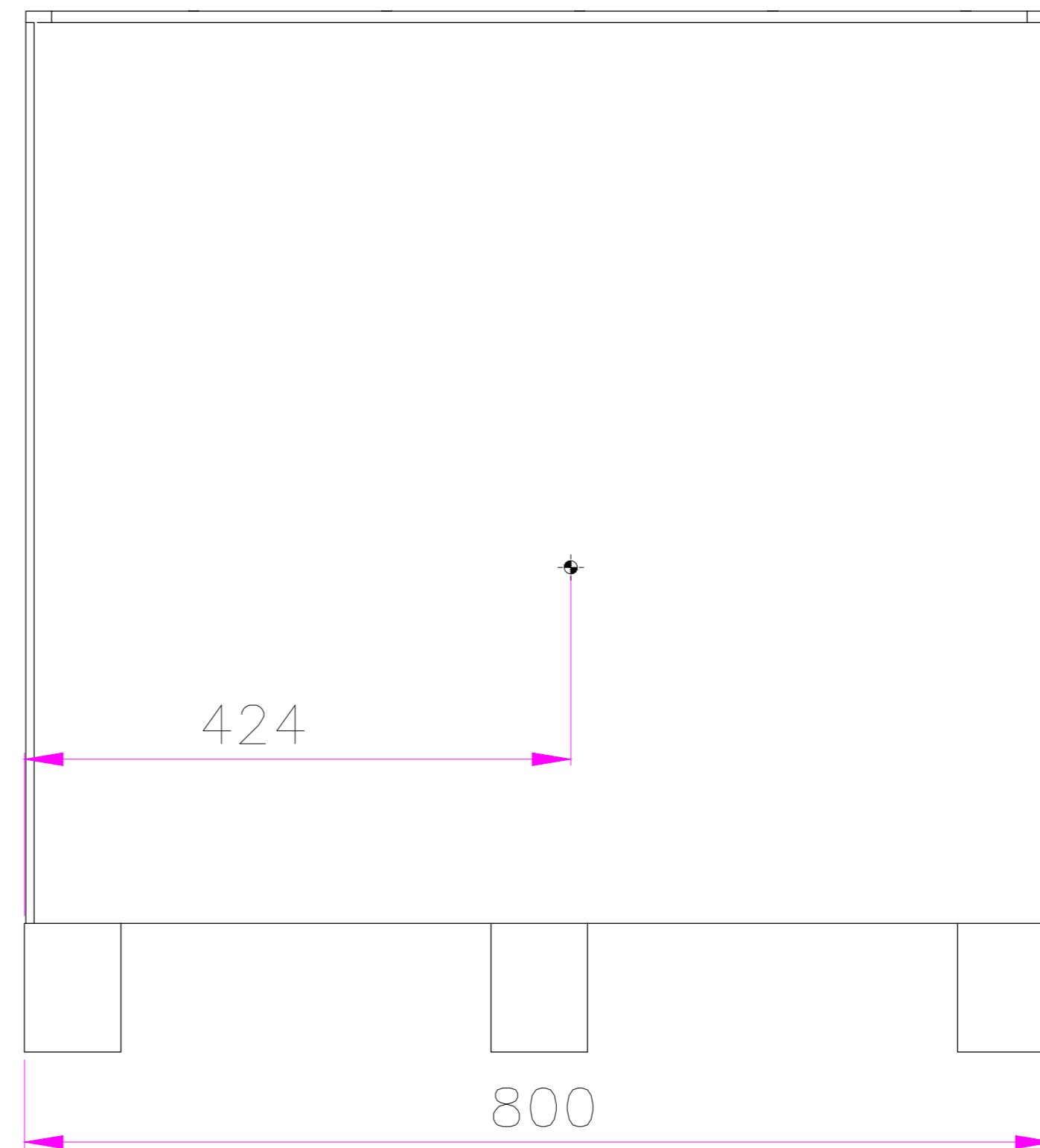
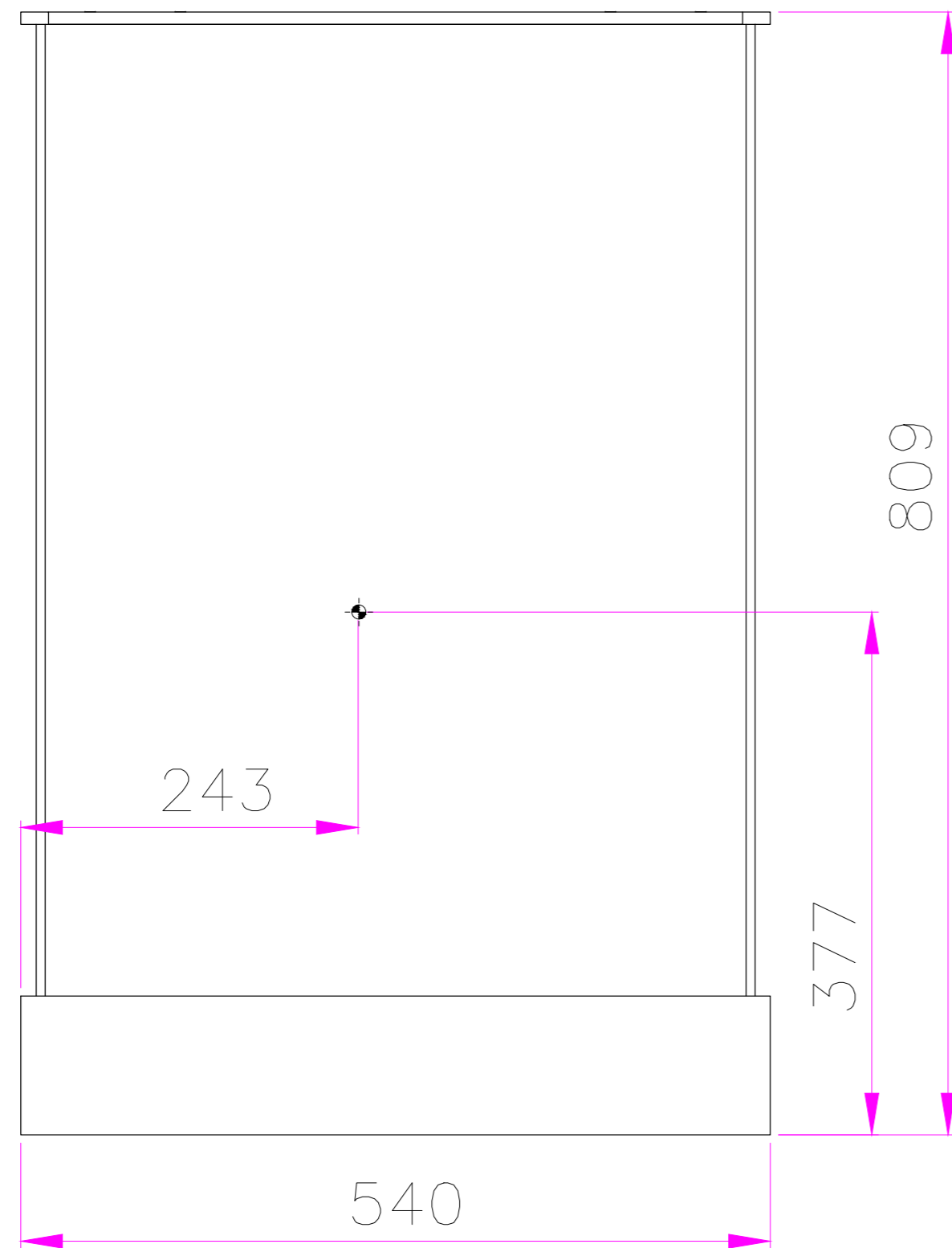
Powering Business Worldwide

## SITE PLANNING DATA 93PS 8-20KW C-model/Super-sized static switch

Page 1	Packaging Dimensions
Page 2	Dimensional Drawings
Page 3	COG and Clearance Dimensions
Page 4	Customer Connections
Page 5	Electrical Wiring of Single Unit
Page 6	Electrical & Signal Wiring of Parallel Units
Page 7	Product Specifications



METRIC		EATON CORPORATION			
DIMENSIONS ARE IN MILLIMETERS AFTER PLATING, DIMENSIONS AND TOLERANCES IN ACCORDANCE WITH ASME Y14.5M-1994. SEE NOTES FOR TOLERANCES.					
DESCRIPTION: 93PS 8-20KW C-model/Super-sized static switch					
ORIGINATED: Jenny Zhang	15-03-2015	ECO:	NAME:	REVISION: 001	SIZE: A2
MODIFIED:				STATE: RELEASED	SCALE: 1:1
CHECKED: Rabbe Johansson	15-03-2016	DOCUMENT TYPE:	P-110000492		SHEET: OF
SAFETY:		AUTOCAD DRAWING			
APPROVED:					
EATON CORPORATION - CONFIDENTIAL AND PROPRIETARY NOTICE TO PERSONS RECEIVING THIS DOCUMENT AND/OR TECHNICAL INFORMATION THIS DOCUMENT, INCLUDING THE DRAWING AND INFORMATION CONTAINED THEREON, IS CONFIDENTIAL AND IS THE EXCLUSIVE PROPERTY OF EATON CORPORATION, AND IS MERELY ON LOAN AND SUBJECT TO RECALL BY EATON AT ANY TIME. BY TAKING POSSESSION OF THIS DOCUMENT, THE RECIPIENT ACKNOWLEDGES AND AGREES THAT THIS DOCUMENT CANNOT BE USED IN ANY MANNER ADVERSE TO THE INTERESTS OF EATON AND THAT NO PORTION OF THIS DOCUMENT MAY BE COPIED OR OTHERWISE REPRODUCED WITHOUT THE PRIOR WRITTEN CONSENT OF EATON. IN THE CASE OF CONFLICTING CONTRACTUAL PROVISIONS, THIS NOTICE SHALL GOVERN THE STATUS OF THIS DOCUMENT.					
© 2011 Eaton Corporation - All Rights Reserved.					



Notes:

1. The COG dimensions of UPS cabinet with package are X=243mm, Y=424mm, Z=377mm.
2. Store the unit in dry and clean environment. Protect the unit from high humidity, rain or other direct exposure to water and also protect it from exposure to dirt and dust.
3. Optimal storing temperature for the unit without batteries is +15°C to +30°C and for batteries +20°C to +25°C.
4. Unites without batteries can be stored in -25°C to +55°C without risk of remediate damaging.
5. Storing batteries above +25°C will shorten the battery lifetime.
6. Batteries can be stored for six months without charging in temperature +20°C to +25°C, but batteries should not be stored uninstalled more than absolute necessary.
7. If batteries are stored above +25°C then batteries should be charged every four months.
8. Storing batteries longer than recommended without charging can harm the battery permanently.

Product Specifications

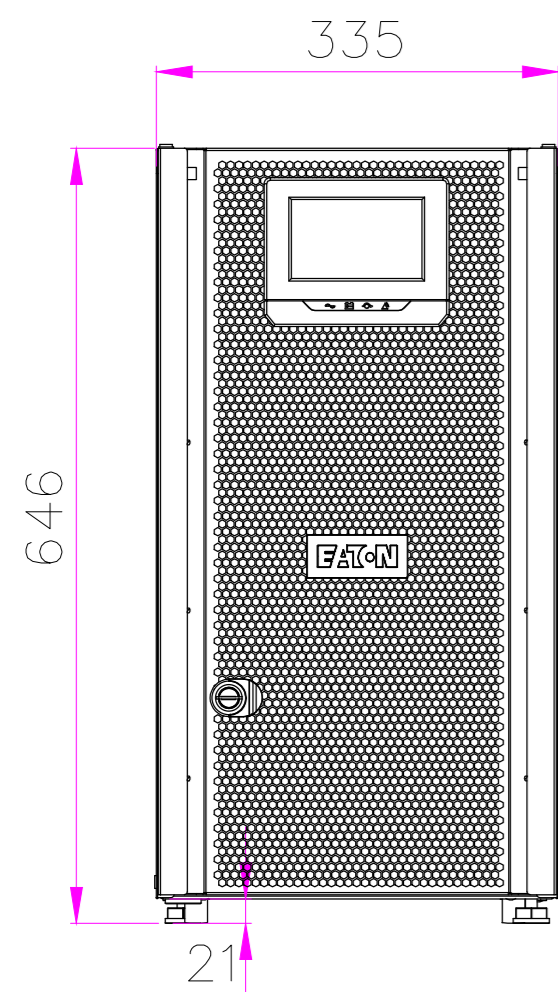
UPS Rating		Shipping Dimensions WXDXH	Approx. Weight
KVA	KW	MM	Kg
8-20	8-20	540X800X809	101

METRIC		EATON CORPORATION		
DIMENSIONS ARE IN MILLIMETERS AFTER PLATING, DIMENSIONS AND TOLERANCES IN ACCORDANCE WITH ASME Y14.5M-1994. SEE NOTES FOR TOLERANCES.				
DESCRIPTION: 93PS 8-20KW C-model/Super-sized static switch Packaging Dimensions				
ORIGINATED: Jenny Zhang	15-03-2016	ECO:	NAME:	REVISION: 001
MODIFIED:				SIZE: A2
CHECKED: Rabbe Johansson	15-03-2016	DOCUMENT TYPE:	P-110000492	
SAFETY:		AUTOCAD DRAWING	STATE: RELEASED	SHEET: 1 OF 7
APPROVED:				

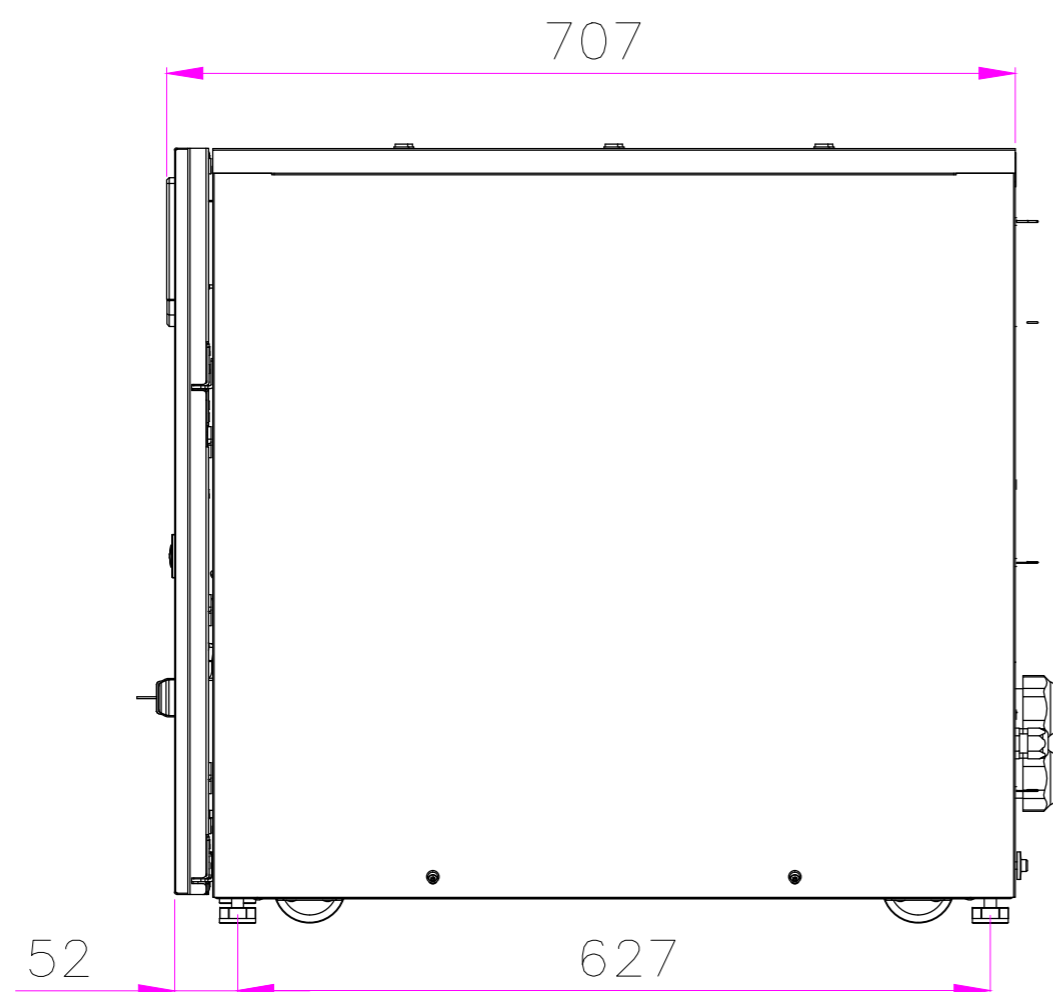
NOTICE TO PERSONS RECEIVING THIS DOCUMENT AND/OR TECHNICAL INFORMATION: EATON CORPORATION - CONFIDENTIAL AND PROPRIETARY. THIS DOCUMENT, INCLUDING THE DRAWING AND INFORMATION CONTAINED THEREON, IS CONFIDENTIAL AND IS THE EXCLUSIVE PROPERTY OF EATON CORPORATION AND IS LOANED SUBJECT TO RECALL BY EATON AT ANY TIME. BY TAKING POSSESSION OF THIS DOCUMENT, THE RECIPIENT ACKNOWLEDGES AND AGREES THAT THIS DOCUMENT CANNOT BE USED IN ANY MANNER ADVERSE TO THE INTERESTS OF EATON AND THAT NO PORTION OF THIS DOCUMENT MAY BE COPIED OR OTHERWISE REPRODUCED WITHOUT THE PRIOR WRITTEN CONSENT OF EATON. IN THE CASE OF CONFLICTING CONTRACTUAL PROVISIONS, THIS NOTICE SHALL GOVERN THE STATUS OF THIS DOCUMENT.



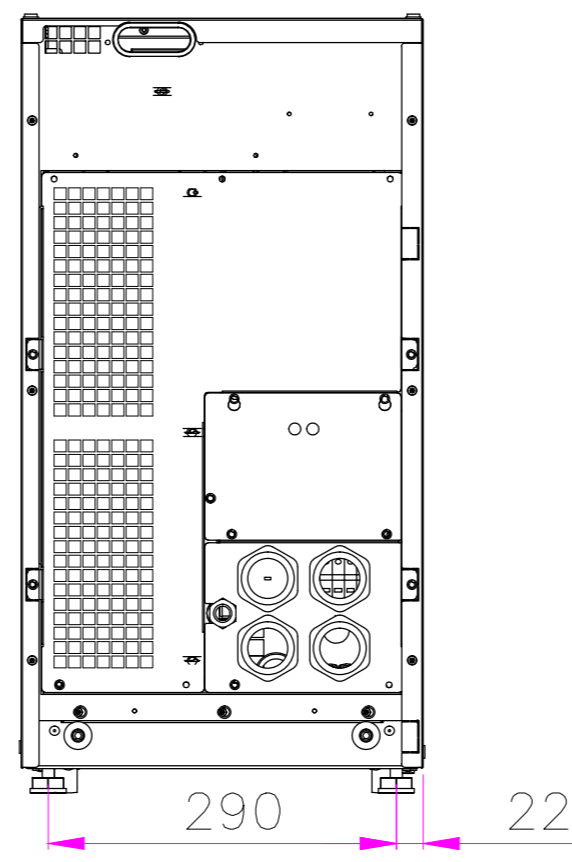
Product Specifications								
UPS Rating		Max Heat Dissipation at 100% Load	Cabinet Dimensions WXD <sub>X</sub> H	Shipping Dimensions WXD <sub>X</sub> H	Approx. Weight	Approx. Shipping Weight	Floor Landing	Cooling Air
KVA	KW	KW	MM	MM	Kg	Kg	Kg/m <sup>2</sup>	m <sup>3</sup> /H
8	8	0.3	335X707X646	540X800X809	86	101	310	3
10	10	0.4	335X707X646	540X800X809	86	101	310	3
15	15	0.6	335X707X646	540X800X809	86	101	310	3
20	20	0.9	335X707X646	540X800X809	86	101	310	3



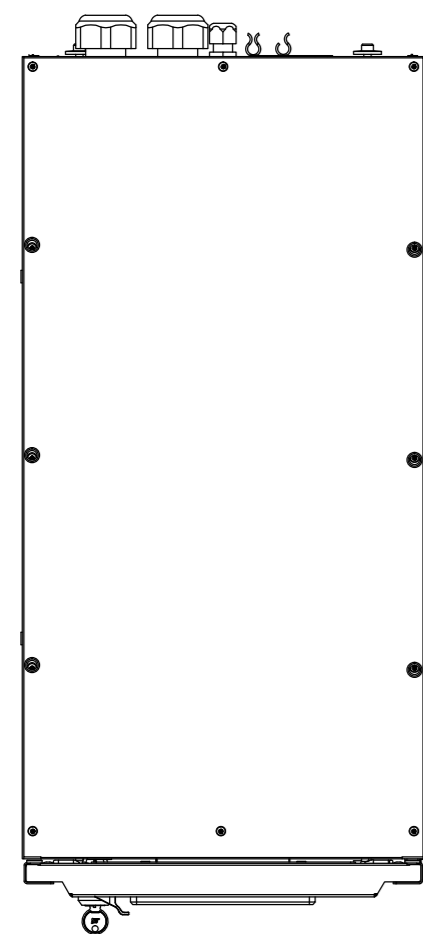
FRONT VIEW



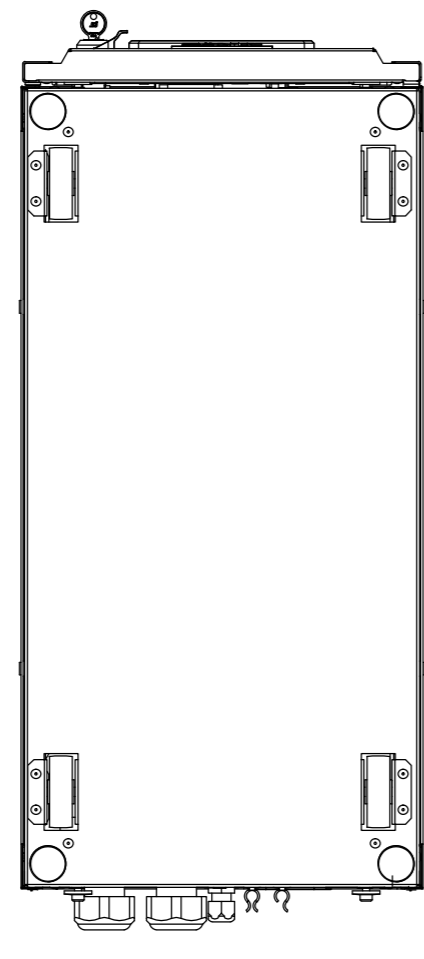
SIDE VIEW



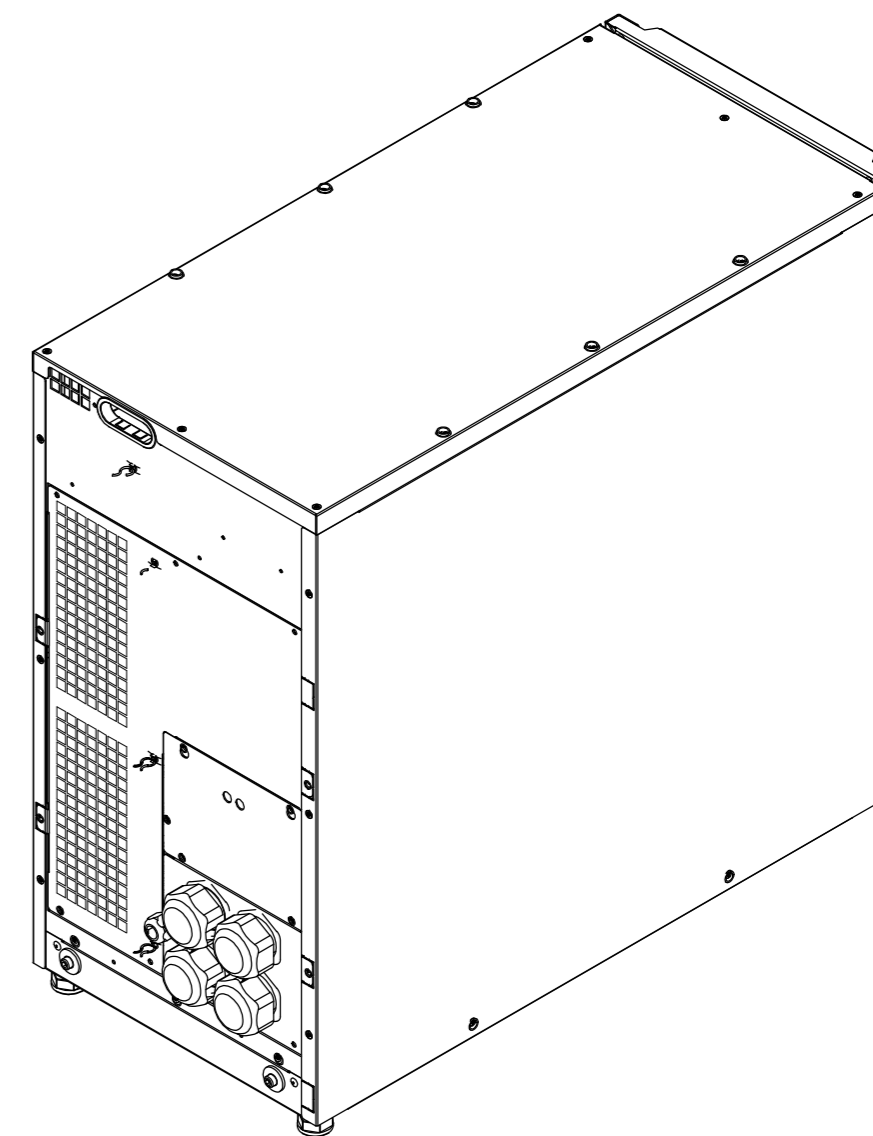
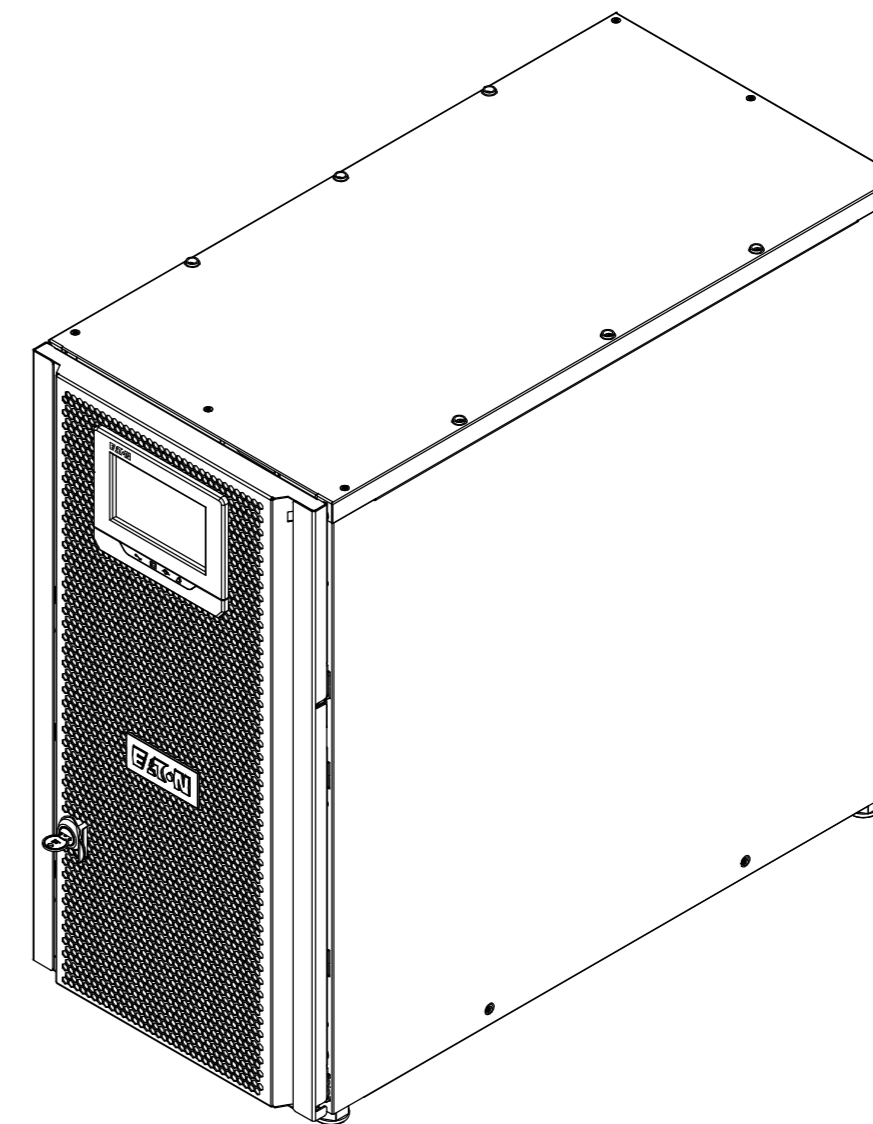
REAR VIEW



TOP VIEW



BOTTOM VIEW

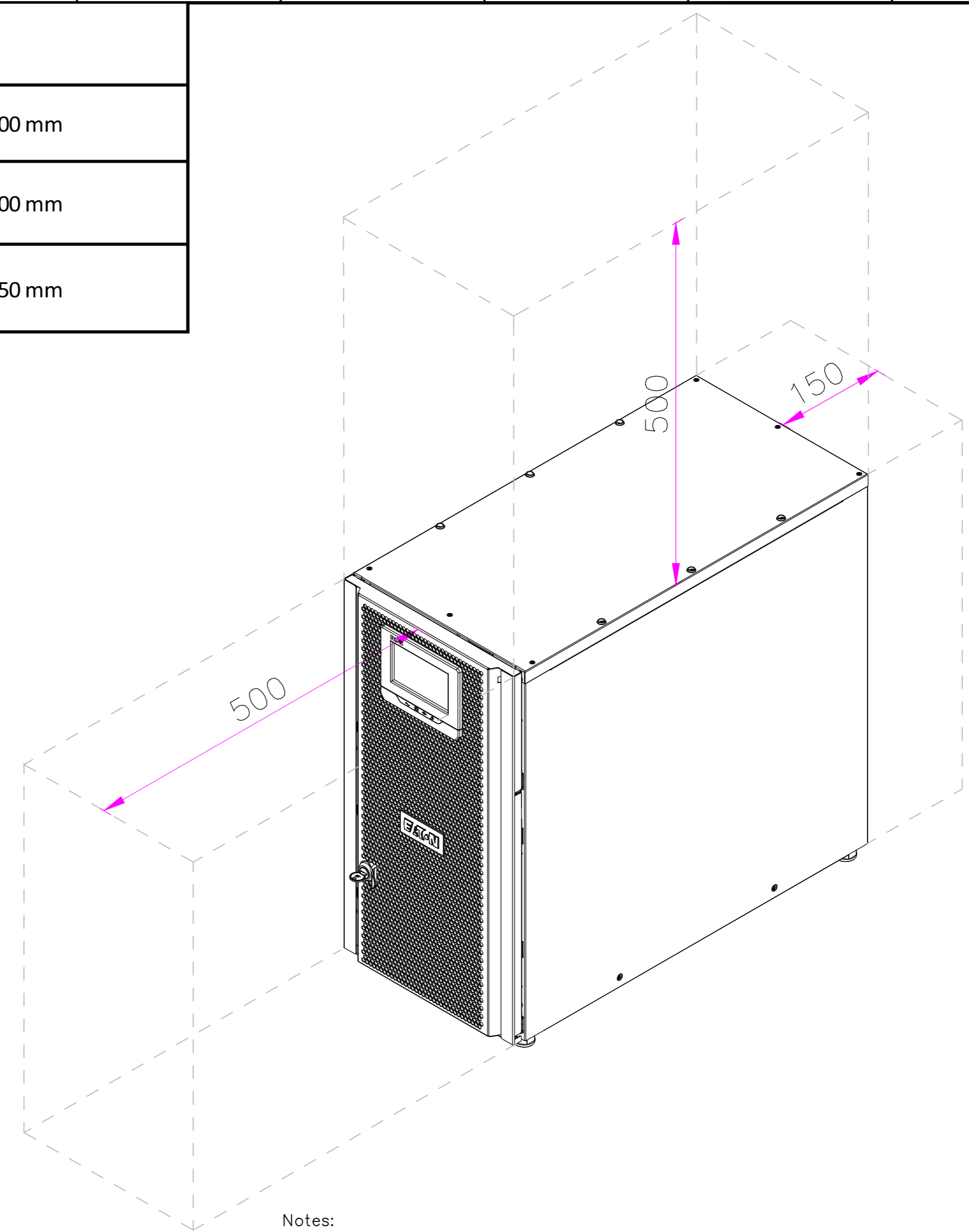
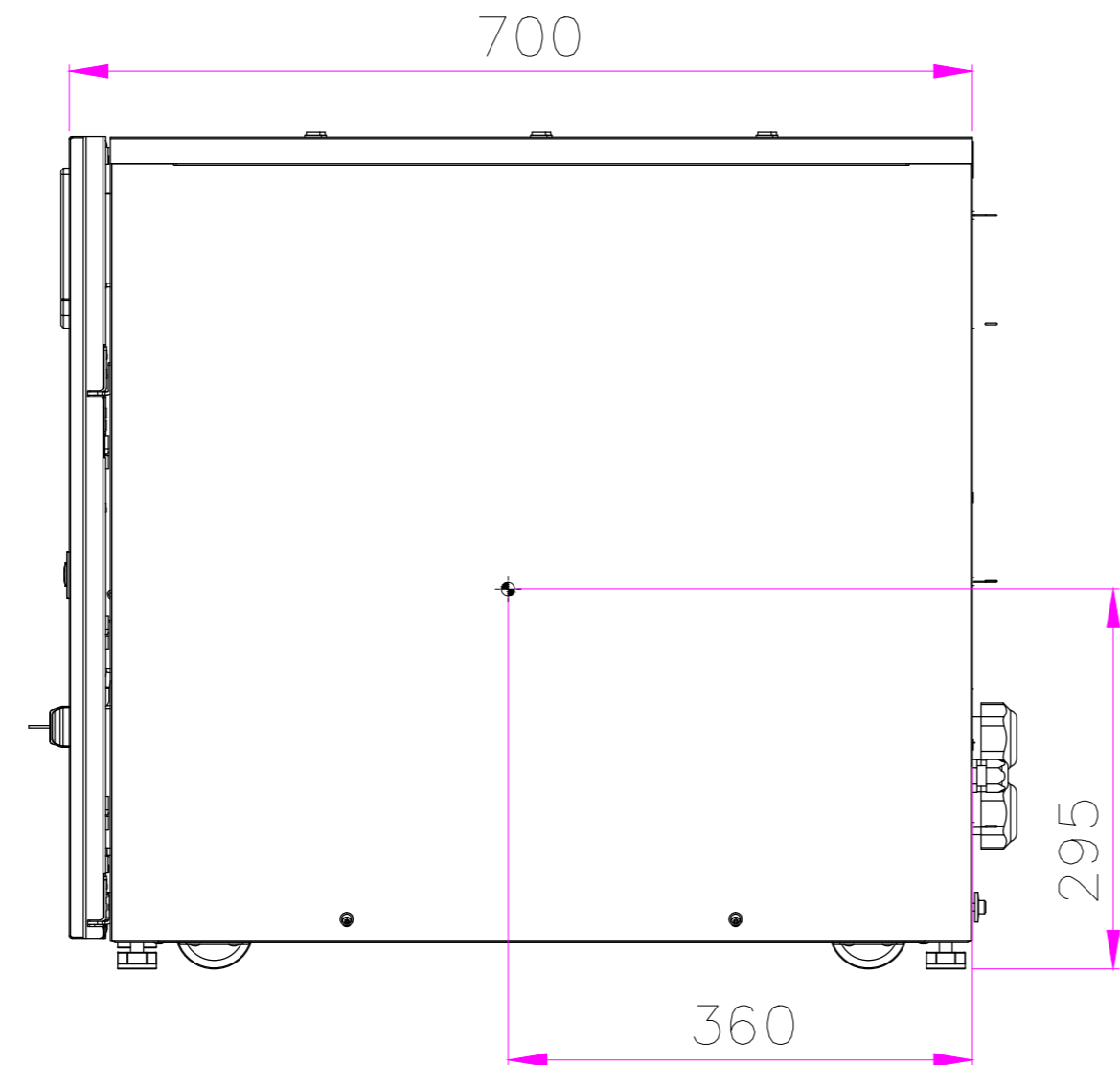
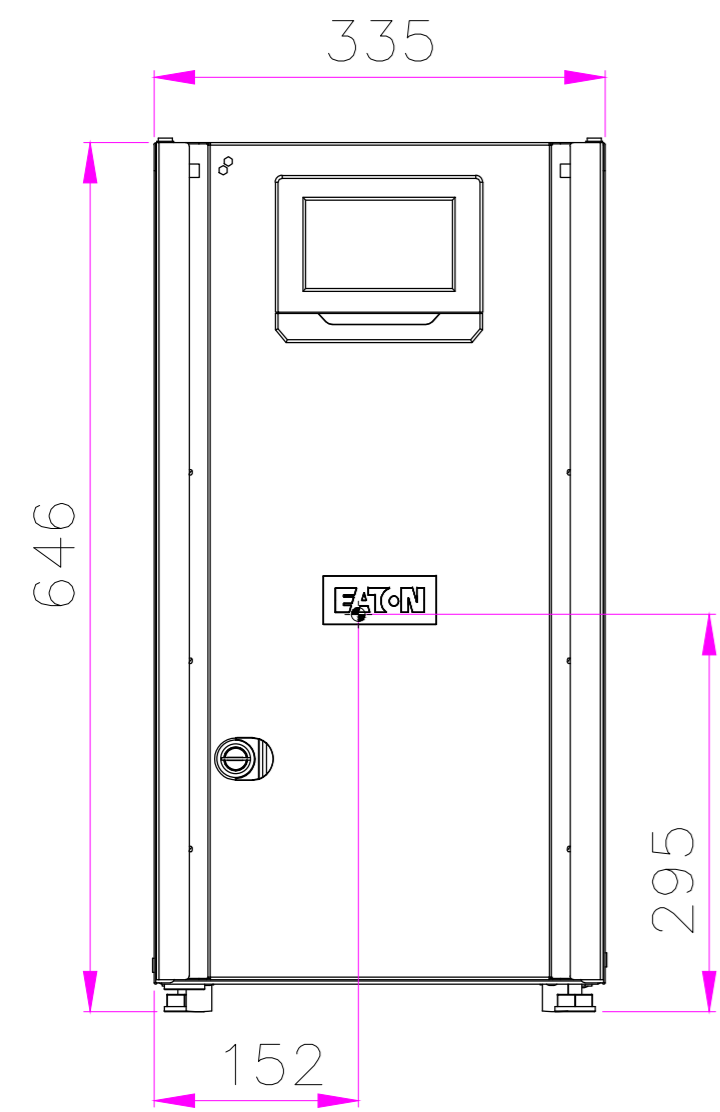


Notes:

1. The system must be installed in a temperature and humidity controlled indoor area free of conductive contaminants.
2. Continuous ambient temperature range: 0–40°C (32–104°F); Maximum relative humidity: 95% non-condensing.
3. The UPS can be installed in line-up-and-match or standalone configurations.
4. The rear cable entries through the removable access gland plate are standard. Access plates shall be custom-modified to suit conduit sizes.

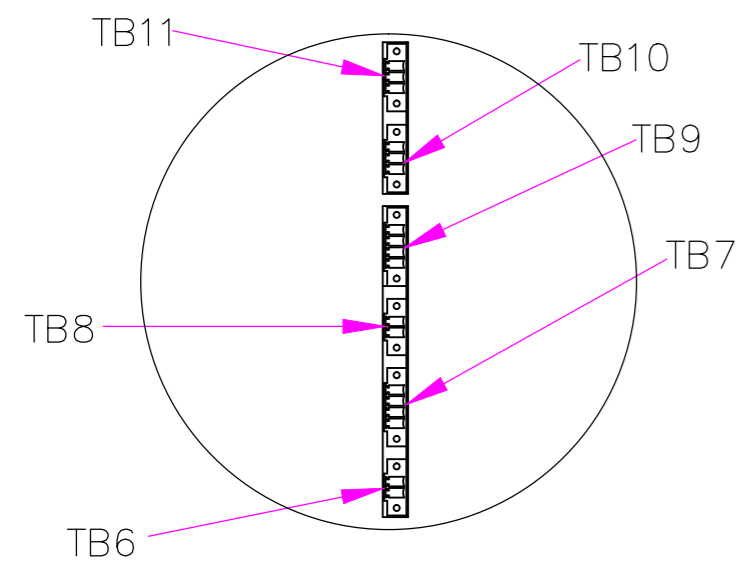
METRIC		EATON CORPORATION		
DIMENSIONS ARE IN MILLIMETERS AFTER PLATING, DIMENSIONS AND TOLERANCES IN ACCORDANCE WITH ASME Y14.5M-1994. SEE NOTES FOR TOLERANCES.				
DESCRIPTION: 93PS 8-20KW C-model/Super-sized static switch Dimensional Drawing				
ORIGINATED: Jenny Zhang	15-03-2016	ECO:	NAME:	REVISION: 001
CHECKED: Rabbe Johansson	15-03-2016	DOCUMENT TYPE:	P-110000492	STATE: RELEASED
SAFETY:		AUTOCAD DRAWING		SHEET: 2 OF 7
APPROVED:				
<small>EATON CORPORATION - CONFIDENTIAL AND PROPRIETARY          NOTICE TO PERSONS RECEIVING THIS DOCUMENT AND/OR TECHNICAL INFORMATION          THIS DOCUMENT, INCLUDING THE DRAWING AND INFORMATION CONTAINED THEREON, IS CONFIDENTIAL AND IS THE EXCLUSIVE PROPERTY OF EATON CORPORATION, AND IS HEREBY ON LOAN AND SUBJECT TO RECALL BY EATON AT ANY TIME.          BY TAKING POSSESSION OF THIS DOCUMENT, THE RECIPIENT ACKNOWLEDGES AND AGREES THAT THIS DOCUMENT CANNOT BE USED IN ANY MANNER ADVERSE TO THE INTERESTS OF EATON AND THAT NO PORTION OF THIS DOCUMENT MAY BE COPIED OR OTHERWISE REPRODUCED WITHOUT THE PRIOR WRITTEN CONSENT OF EATON. IN THE CASE OF CONFLICTING CONTRACTUAL PROVISIONS, THIS NOTICE SHALL GOVERN THE STATUS OF THIS DOCUMENT.          © 2011 Eaton Corporation - All Rights Reserved.</small>				

Clearances	
From Top of cabinet	500 mm
From Front of cabinet	500 mm
From Back of cabinet	150 mm

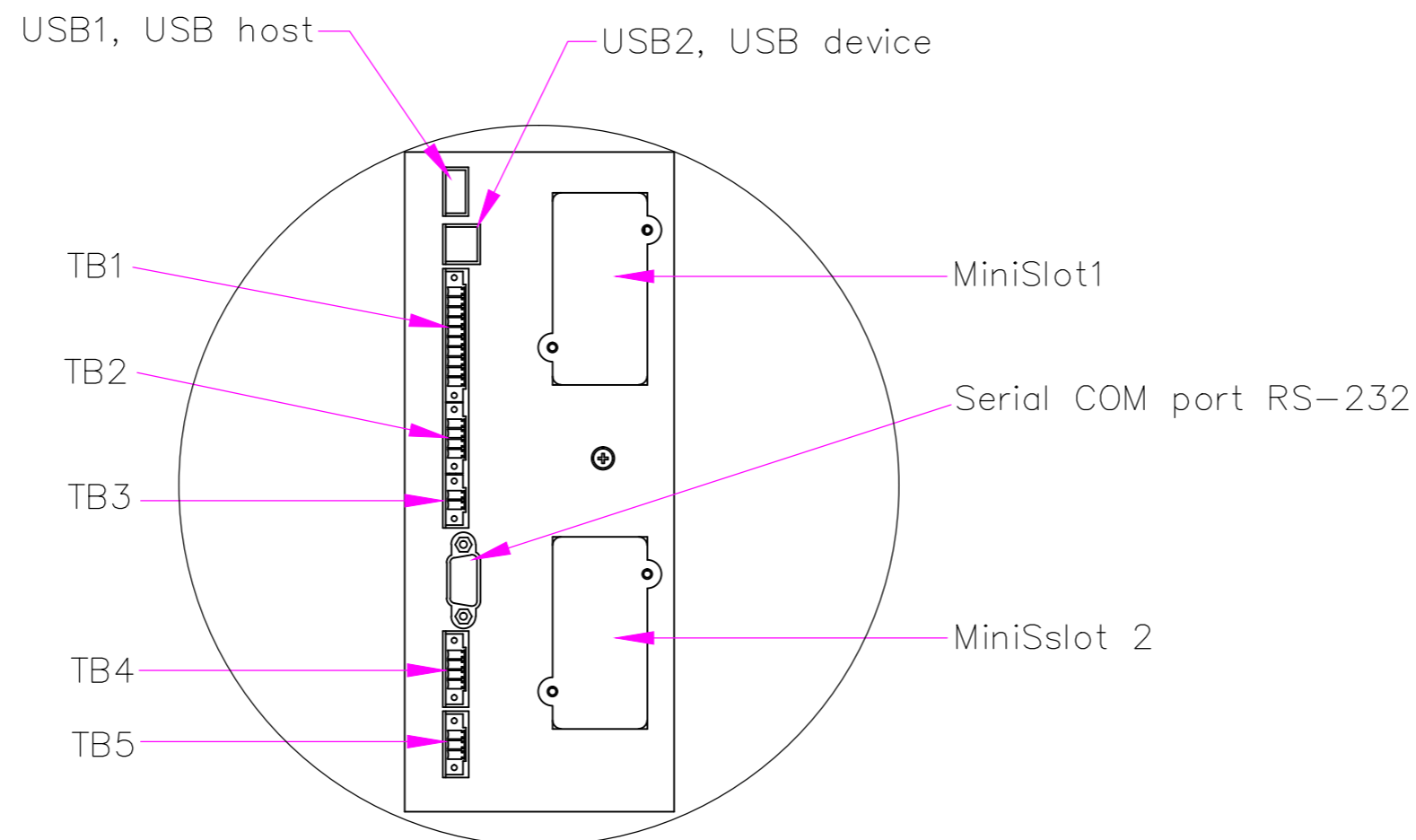


- Notes:
1. The COG dimensions of UPS cabinet without package are X=152mm , Y=360mm, Z=295mm.
  2. Minimum overhead clearance above the UPS cabinet is 500mm (20in.) for servicing space.
  3. Minimum 500mm (20in.) clearance in front of the UPS cabinet is required for cooling air intake and servicing space.
  4. Minimum 150mm (6in.) clearance in back of the UPS cabinet is required for cooling air exhaust and servicing space.

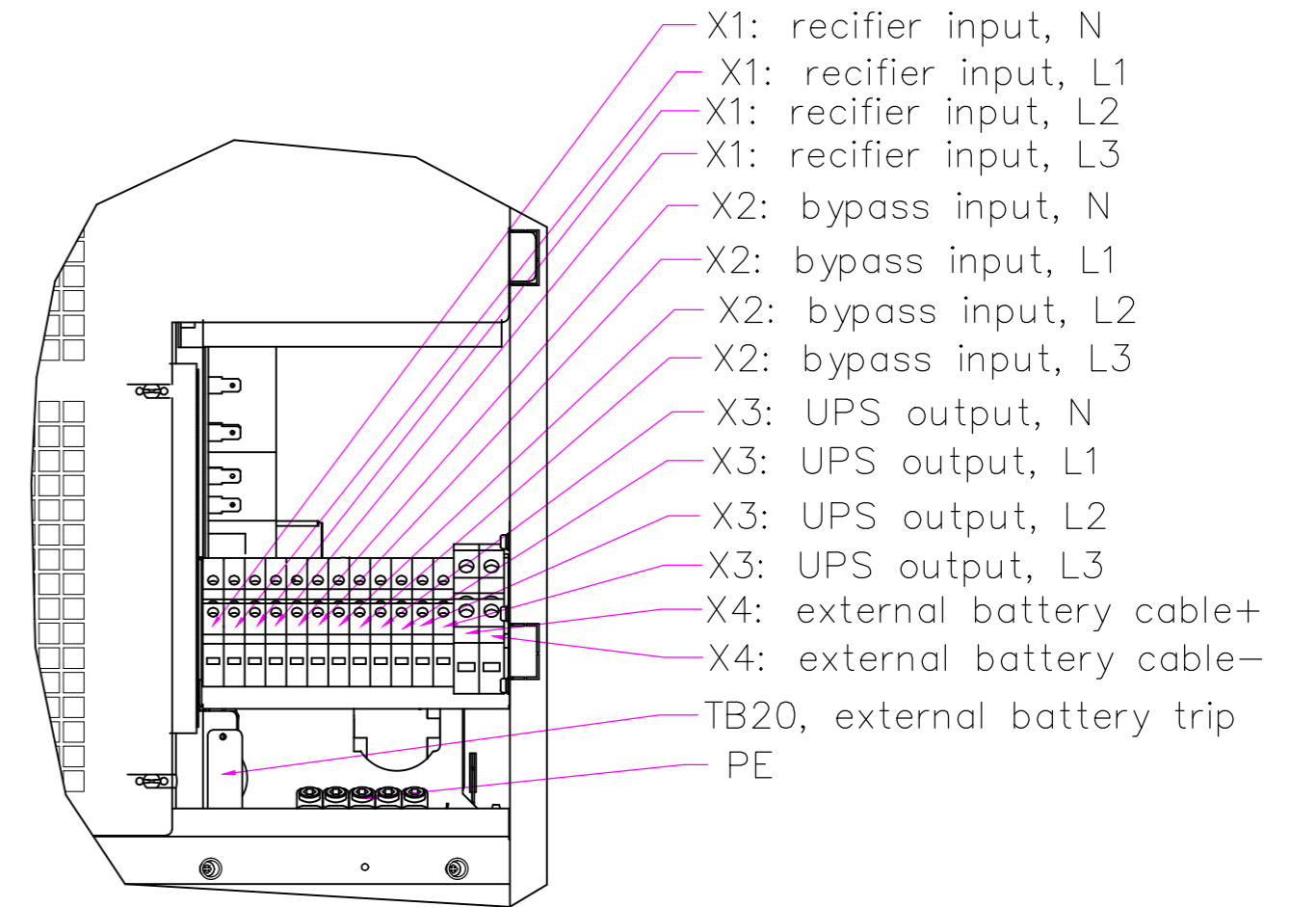
METRIC		EATON CORPORATION		
DIMENSIONS ARE IN MILLIMETERS AFTER PLATING, DIMENSIONS AND TOLERANCES IN ACCORDANCE WITH ASME Y14.5M-1994. SEE NOTES FOR TOLERANCES.				
DESCRIPTION: 93PS 8-20KW C-model/Super-sized static switch Clearance and COG				
ORIGINATED: Jenny Zhang	15-03-2016	ECO:	NAME:	REVISION: 001
MODIFIED:				SIZE: A2
CHECKED: Rabbe Johansson	15-03-2016	DOCUMENT TYPE:	P-110000492	STATE: RELEASED
SAFETY:		AUTOCAD DRAWING		SHEET: 3 OF 7
APPROVED:				
EATON CORPORATION - CONFIDENTIAL AND PROPRIETARY				
NOTICE TO PERSONS RECEIVING THIS DOCUMENT AND/OR TECHNICAL INFORMATION				
THIS DOCUMENT, INCLUDING THE DRAWING AND INFORMATION CONTAINED THEREON, IS CONFIDENTIAL AND IS THE EXCLUSIVE PROPERTY OF EATON CORPORATION AND IS HEREBY ON LOAN AND SUBJECT TO RECALL BY EATON AT ANY TIME. BY TAKING POSSESSION OF THIS DOCUMENT, THE RECIPIENT ACKNOWLEDGES AND AGREES THAT THIS DOCUMENT CANNOT BE USED IN ANY MANNER ADVERSE TO THE INTERESTS OF EATON AND THAT NO PORTION OF THIS DOCUMENT MAY BE COPIED OR OTHERWISE REPRODUCED WITHOUT THE PRIOR WRITTEN CONSENT OF EATON. IN THE CASE OF CONFLICTING CONTRACTUAL PROVISIONS, THIS NOTICE SHALL GOVERN THE STATUS OF THIS DOCUMENT.				
© 2011 Eaton Corporation - All Rights Reserved.				



SCALE 3:1  
DETAIL VIEW A

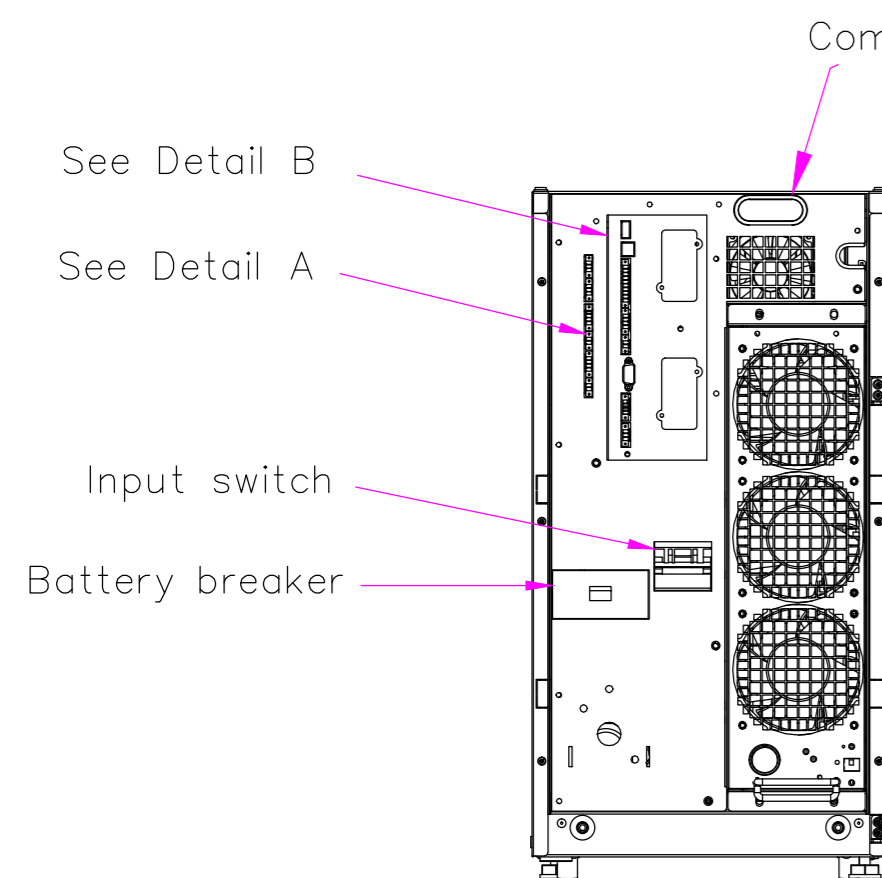


SCALE 3:1  
DETAIL VIEW B

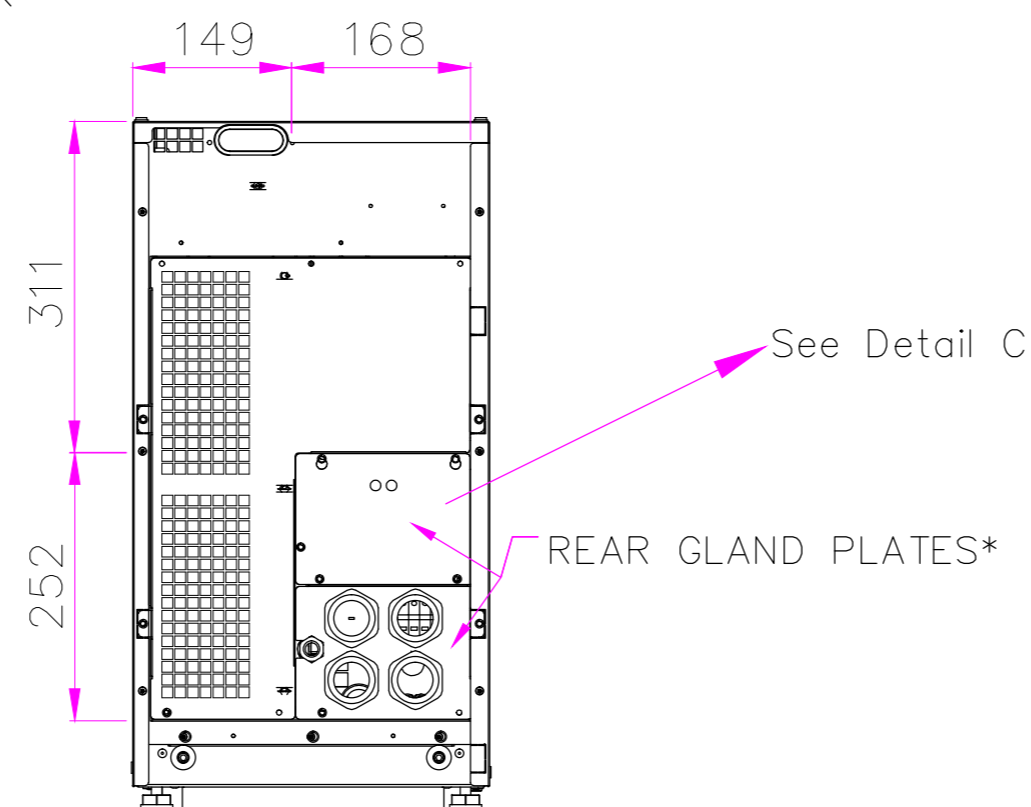


CONNECTIONS BEHIND GLAND PLATES

SCALE 5:1  
DETAIL VIEW C



CONNECTIONS WITH FRONT PANEL REMOVED

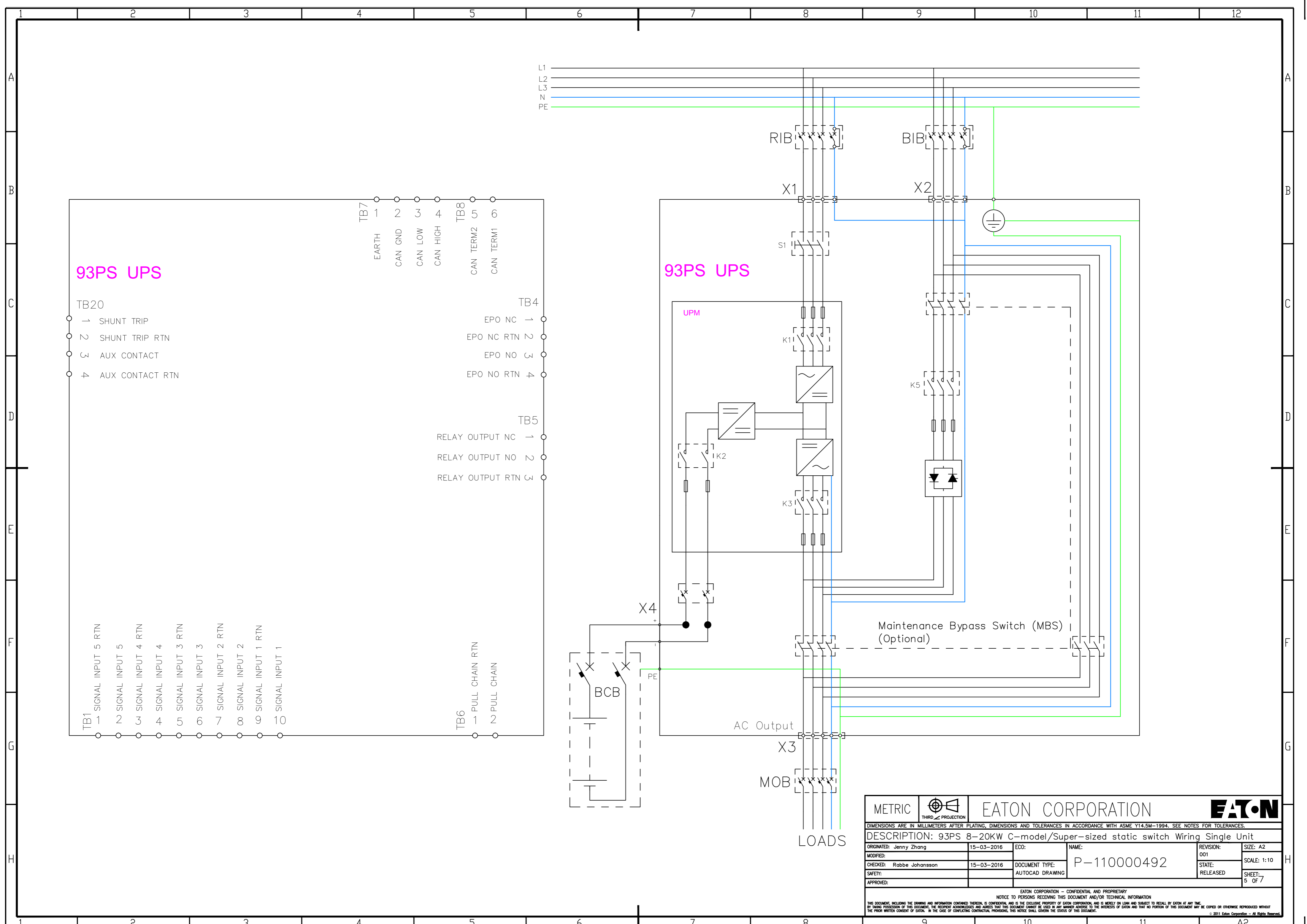


REAR CONNECTIONS

Notes:  
1. M40 size cable gland plates with strain relief bushing are used on the rear side of unit for power cabling and cables diameter should be of range 16–28mm.

METRIC		THIRD ANGLE PROJECTION		EATON CORPORATION		<b>EATON</b>	
DIMENSIONS ARE IN MILLIMETERS AFTER PLATING, DIMENSIONS AND TOLERANCES IN ACCORDANCE WITH ASME Y14.5M-1994. SEE NOTES FOR TOLERANCES.							
DESCRIPTION: 93PS 8-20KW C-model/Super-sized static switch Customer Connections							
ORIGINATED: Jenny Zhang	15-03-2016	ECO:	NAME:	REVISION: 001	SIZE: A2		
MODIFIED:					SCALE: 1:10		
CHECKED: Rabbe Johansson	15-03-2016	DOCUMENT TYPE:	P-110000492	STATE: RELEASED	SHEET: 4 OF 7		
SAFETY:		AUTOCAD DRAWING					
APPROVED:							
<small>           EATON CORPORATION - CONFIDENTIAL AND PROPRIETARY            NOTICE TO PERSONS RECEIVING THIS DOCUMENT AND/OR TECHNICAL INFORMATION            THIS DOCUMENT, INCLUDING THE DRAWING AND INFORMATION CONTAINED THEREIN, IS CONFIDENTIAL AND IS THE EXCLUSIVE PROPERTY OF EATON CORPORATION AND IS MERELY ON LOAN AND SUBJECT TO RECALL BY EATON AT ANY TIME.            BY TAKING POSSESSION OF THIS DOCUMENT, THE RECIPIENT ACKNOWLEDGES AND AGREES THAT THIS DOCUMENT CANNOT BE USED IN ANY MANNER ADVERSE TO THE INTERESTS OF EATON AND THAT NO PORTION OF THIS DOCUMENT MAY BE COPIED OR OTHERWISE REPRODUCED WITHOUT THE PRIOR WRITTEN CONSENT OF EATON. IN THE CASE OF CONFLICTING CONTRACTUAL PROVISIONS, THIS NOTICE SHALL GOVERN THE TERMS OF THIS DOCUMENT.            © 2011 Eaton Corporation - All Rights Reserved         </small>							





**93PS UPS**

- TB20
- SHUNT TRIP
  - ↺ SHUNT TRIP RTN
  - ↻ AUX CONTACT
  - ↻ AUX CONTACT RTN

- TB1
- 1 SIGNAL INPUT 5 RTN
  - 2 SIGNAL INPUT 5
  - 3 SIGNAL INPUT 4 RTN
  - 4 SIGNAL INPUT 4
  - 5 SIGNAL INPUT 3 RTN
  - 6 SIGNAL INPUT 3
  - 7 SIGNAL INPUT 2 RTN
  - 8 SIGNAL INPUT 2
  - 9 SIGNAL INPUT 1 RTN
  - 10 SIGNAL INPUT 1

- TB7
- 1 EARTH
  - 2 CAN GND
  - 3 CAN LOW
  - 4 CAN HIGH
- TB8
- 5 CAN TERM2
  - 6 CAN TERM1
- TB4
- EPO NC
  - ↺ EPO NC RTN
  - ↻ EPO NO
  - ↻ EPO NO RTN
- TB5
- RELAY OUTPUT NC
  - ↺ RELAY OUTPUT NO
  - ↻ RELAY OUTPUT RTN

- TB6
- 1 PULL CHAIN RTN
  - 2 PULL CHAIN

**93PS UPS**

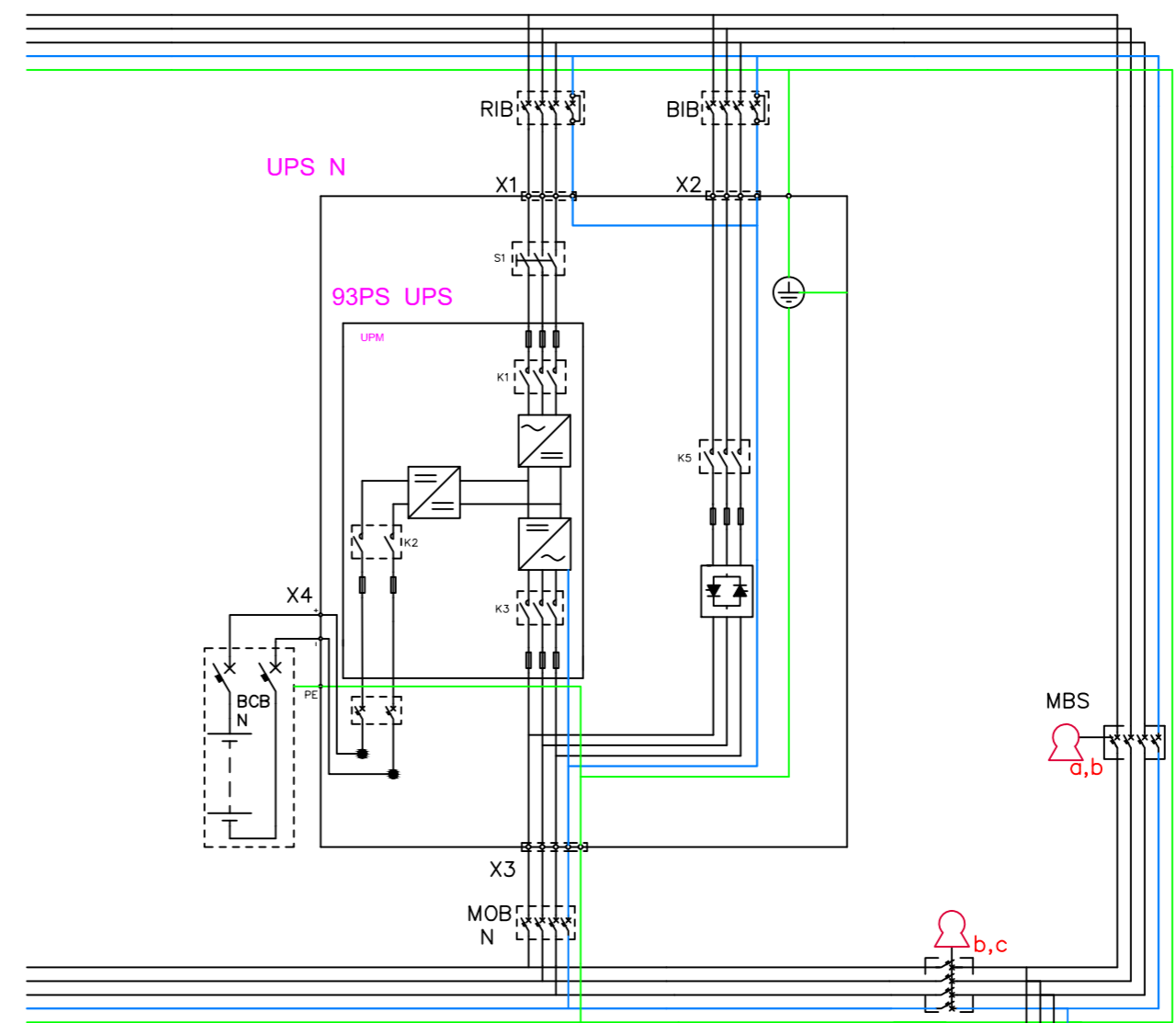
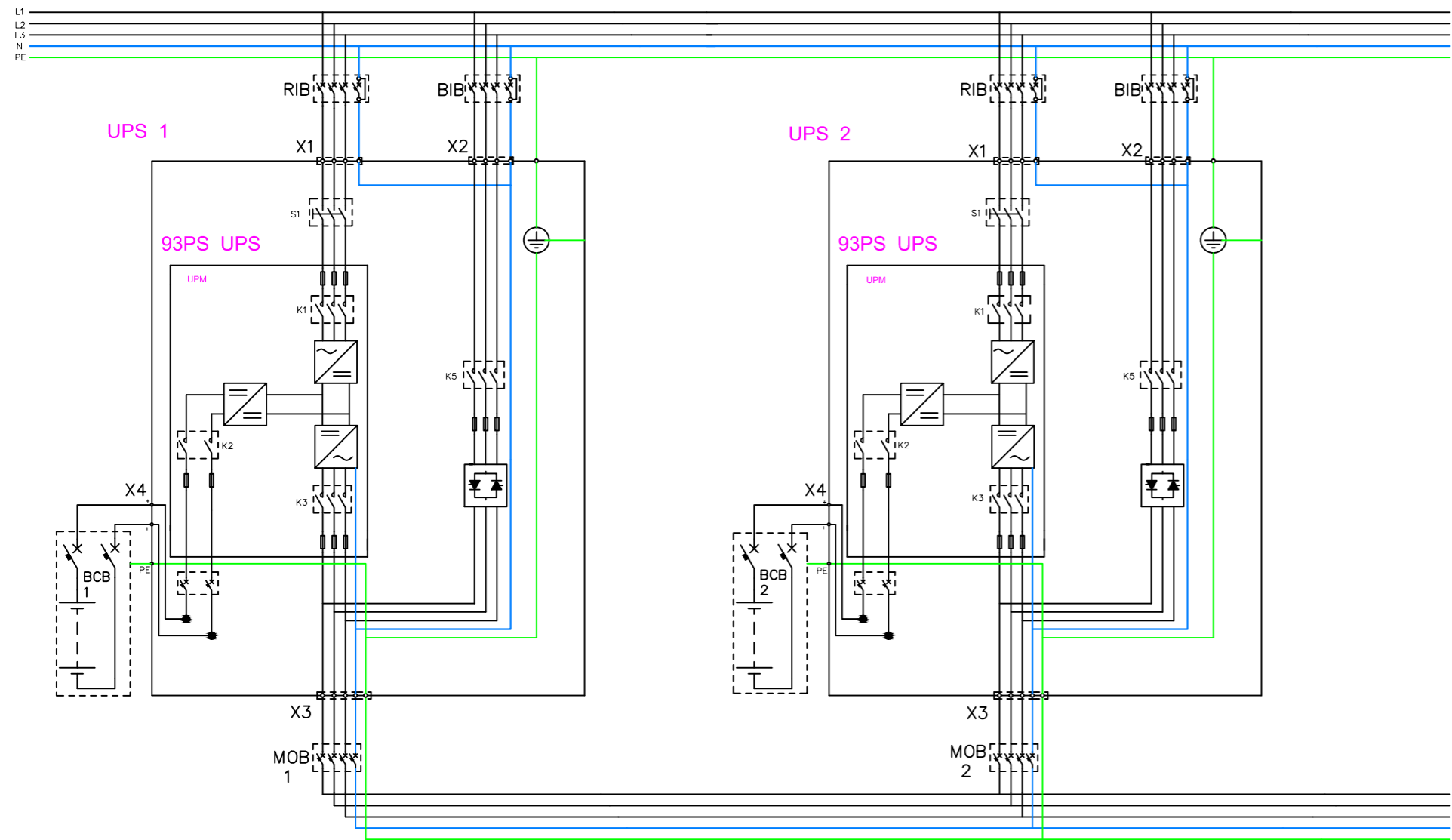
UPM

Maintenance Bypass Switch (MBS)  
(Optional)

AC Output

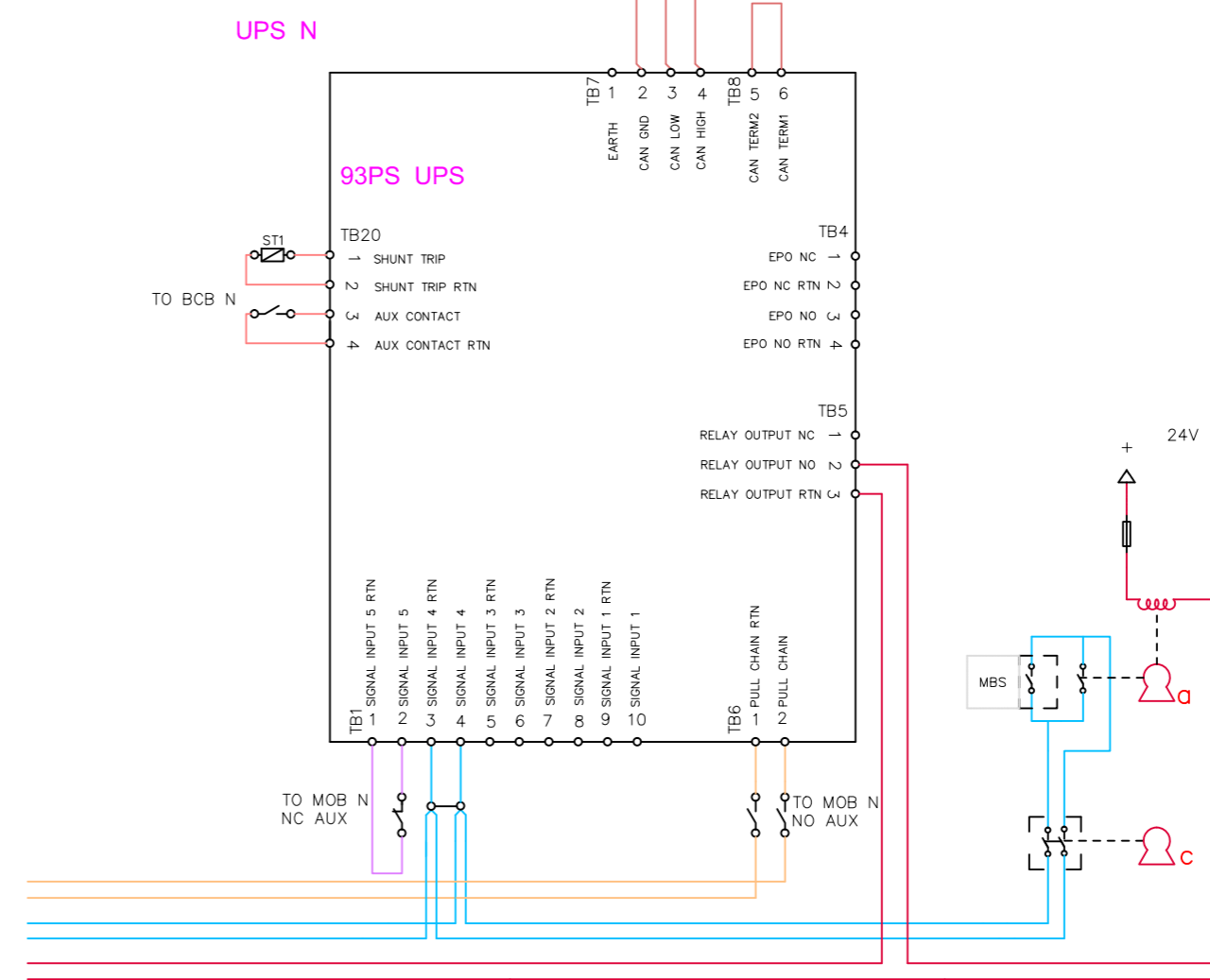
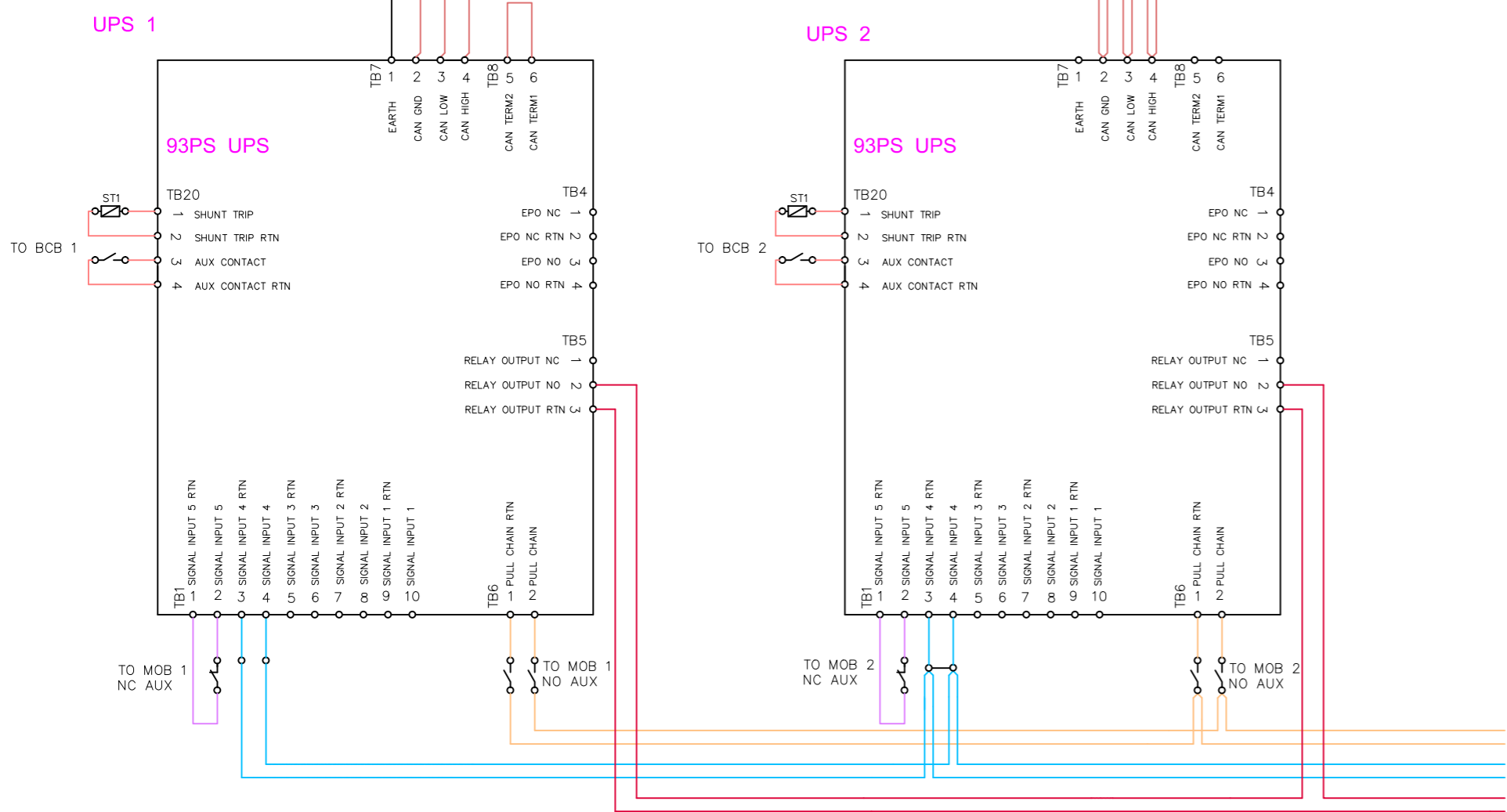
LOADS

METRIC		THIRD ANGLE PROJECTION		EATON CORPORATION		<b>EATON</b>	
DIMENSIONS ARE IN MILLIMETERS AFTER PLATING, DIMENSIONS AND TOLERANCES IN ACCORDANCE WITH ASME Y14.5M-1994. SEE NOTES FOR TOLERANCES.							
DESCRIPTION: 93PS 8-20KW C-model/Super-sized static switch Wiring Single Unit							
ORIGINATED: Jenny Zhang	15-03-2016	ECO:	NAME:	REVISION: 001	SIZE: A2	SCALE: 1:10	
CHECKED: Rabbe Johansson	15-03-2016	DOCUMENT TYPE: AUTOCAD DRAWING	P-110000492	STATE: RELEASED	SHEET: 5 OF 7		
APPROVED:							
EATON CORPORATION - CONFIDENTIAL AND PROPRIETARY NOTICE TO PERSONS RECEIVING THIS DOCUMENT AND/OR TECHNICAL INFORMATION THIS DOCUMENT, INCLUDING THE DRAWING AND INFORMATION CONTAINED THEREON, IS CONFIDENTIAL AND IS THE EXCLUSIVE PROPERTY OF EATON CORPORATION AND IS MERELY ON LOAN AND SUBJECT TO RECALL BY EATON AT ANY TIME. BY TAKING POSSESSION OF THIS DOCUMENT, THE RECIPIENT ACKNOWLEDGES AND AGREES THAT THIS DOCUMENT CANNOT BE USED IN ANY MANNER ADVERSE TO THE INTERESTS OF EATON AND THAT NO PORTION OF THIS DOCUMENT MAY BE COPIED OR OTHERWISE REPRODUCED WITHOUT THE PRIOR WRITTEN CONSENT OF EATON. IN THE CASE OF CONFLICTING CONTRACTUAL PROVISIONS, THIS NOTICE SHALL GOVERN THE STATUS OF THIS DOCUMENT. © 2011 Eaton Corporation - All Rights Reserved.							



POWER WIRING

SIGNAL WIRING



**MBS STATUS** (Provided by others, Installed by others)  
0.75 - 2.5mm<sup>2</sup> twisted pair (if possible, else shielded)  
No earth needed

**MOB STATUS** (Provided by others, Installed by others)  
0.75 - 2.5mm<sup>2</sup> twisted pair (if possible, else shielded)  
No earth needed

**PCAN (DUAL AS OPTION)**  
Provided by Eaton, Installed by Eaton

**PULL CHAIN (REDUNDANT ON BYP STATUS)**  
Provided by Eaton, Installed by Eaton

**ON BYPASS STATUS (NO INVERTORS ONLINE)**  
1.5 - 2.5mm<sup>2</sup>, provided by others, Installed by others

- Mechanical bypass interlocking sequence
1. Place UPS system to bypass. On bypass status (K3) will energize Key A solenoid to release it
  2. Removing key A will switch on "force bypass" to the UPS system
  3. Place key A to MBS breaker and close breaker. Key B will be released.
  4. Aux contact of MBS will keep "force bypass" on UPS system
  5. Place key B to MIS breaker and open MIS to isolate UPS system from load. Key C will be released
  6. Place key C to it's dedicated keyhole to release "force bypass" command to allow UPS system testing

METRIC		THIRD ANGLE PROJECTION		EATON CORPORATION		<b>EATON</b>	
DIMENSIONS ARE IN MILLIMETERS AFTER PLATING, DIMENSIONS AND TOLERANCES IN ACCORDANCE WITH ASME Y14.5M-1994. SEE NOTES FOR TOLERANCES.							
DESCRIPTION: 93PS 8-20KW C-model/Super-sized static switch Wiring Parallel Units							
ORIGINATED: Jenny Zhang	15-03-2016	ECO:	NAME:	REVISION: 001	SCALE: 1:1	SHEET: 6 OF 7	
MODIFIED:		DOCUMENT TYPE:	P-110000492	STATE: RELEASED			
CHECKED: Rabbe Johansson	15-03-2016	AUTOCAD DRAWING					
SAFETY:							
APPROVED:							
EATON CORPORATION - CONFIDENTIAL AND PROPRIETARY NOTICE TO PERSONS RECEIVING THIS DOCUMENT AND/OR TECHNICAL INFORMATION THIS DOCUMENT, INCLUDING THE DRAWING AND INFORMATION CONTAINED THEREON, IS CONFIDENTIAL AND IS THE EXCLUSIVE PROPERTY OF EATON CORPORATION, AND IS MERELY ON LOAN AND SUBJECT TO RECALL BY EATON AT ANY TIME. BY TAKING POSSESSION OF THIS DOCUMENT, THE RECIPIENT ACKNOWLEDGES AND AGREES THAT THIS DOCUMENT CANNOT BE USED IN ANY MANNER ADVERSE TO THE INTERESTS OF EATON AND THAT NO PORTION OF THIS DOCUMENT MAY BE COPIED OR OTHERWISE REPRODUCED WITHOUT THE PRIOR WRITTEN CONSENT OF EATON. IN THE CASE OF CONFLICTING CONTRACTUAL PROVISIONS, THIS NOTICE SHALL GOVERN THE STATUS OF THIS DOCUMENT. © 2011 Eaton Corporation - All Rights Reserved.							

# 93PS 8-20KW C-model/Super-sized static switch UPS Site Planning Data

## Product Specifications

UPS Rating		AC Input		3P+Bolted N Rectifier Input Breaker (RIB)		3P+Bolted N Bypass Input Breaker (BIB)			4P Inverter AC output Breaker MOB			Battery Breaker (BCB) (Ratings at the end of discharge, 1.67VPC)				For Single Unit Maintenance Bypass Switch (MBS)	For Parallel Units Common Maintenance Bypass Switch (MBS)		
				Nominal Current	Maximum Current	Nominal Current at 400v Input	Maximum Current at 15% under voltage	Integrated Bypass Fuse	AC Output	Output Current	Inverter Short Circuit Current	Auxiliary Switches	Rating	Separate Battery Configuration (UPM Bttery)	Common Battery Configuration (UPS Battery)	Trip Device (Shunt Trip)	Auxiliary Switches	Rating	Rating
KVA	KW	v	A	A	A	A	Type	v	A	A / 300ms	Qty	VDC	A	A	VDC	Qty	A	A	Qty
8	8	400	12	18	12	17	200 FEE	400	12	72	2	500	NA	63	24	1	12	12 x N	1
10	10	400	15	22	15	21	200 FEE	400	15	72	2	500	NA	63	24	1	15	15 x N	1
15	15	400	23	29	22	32	200 FEE	400	22	72	2	500	NA	63	24	1	22	22 x N	1
20	20	400	30	38	29	42	200 FEE	400	29	72	2	500	NA	63	24	1	29	22 x N	1

## Minimum recommended cable and fuse sizes

UPS RATING KW	Cable [mm <sup>2</sup> ]	Rectifier Fuse [A]	Bypass Fuse [A]	PE Cable [mm <sup>2</sup> ]	POS. & NEG. Line [mm <sup>2</sup> ]	Battery Fuse [A]	EX BATT PE Cable [mm <sup>2</sup> ]
8	4*2.5	16	16	1*6	1*16	63	1*16
10	4*4	20	20	1*6	1*16	63	1*16
15	4*10	32	32	1*10	1*16	63	1*16
20	4*10	40	40	1*10	1*16	63	1*16

- Notes:
- Rectifier AC input current calculations: Nominal – 100% load without charging; Maximum – 100% load with maximum charging (Rectifier current limit).
  - Inverter AC output current calculation: At 100% rated output load.
  - The system must be installed on a level floor suitable for computer or electronic equipment.
  - All wiring and installations must be in accordance with applicable National and Local Electric Regulations.
  - AC input to UPS: (3) phases, (1) neutral, (1) ground.  
AC output to load: (3) phases, (1) neutral, (1) ground.  
DC input from battery to UPS: (1) positive, (1) negative, (1) ground.
  - All breakers should be adjusted according to the specified Ampere values to protect the UPS and installation.
  - For UPS installation that utilizes single feed input, The input breaker should be configured according to the rated rectifier input current.
  - Cable sizing is based on the standard IEC 60364–5–52 and IEC 60364–5–54. The sizing is for 70°C rated copper cables.
  - Specifications are subject to change.

METRIC	THIRD ANGLE PROJECTION	EATON CORPORATION	
DIMENSIONS ARE IN MILLIMETERS AFTER PLATING. DIMENSIONS AND TOLERANCES IN ACCORDANCE WITH ASME Y14.5M-1994. SEE NOTES FOR TOLERANCES.			
DESCRIPTION: 93PS 8-20KW C- model/Super-sized static switch Specifications			
ORIGINATED: Jenny Zhang	15-03-2016	ECO:	NAME:
MODIFIED:	15-03-2016	DOCUMENT TYPE:	P-110000492
CHECKED: Rabbe Johansson	15-03-2016	SAFETY:	RELEASED
APPROVED:		REVISION:	001
		STATE:	RELEASED
		SHEET:	7 OF 7
EATON CORPORATION - CONFIDENTIAL AND PROPRIETARY NOTICE TO PERSONS RECEIVING THIS DOCUMENT AND/OR TECHNICAL INFORMATION THIS DOCUMENT, INCLUDING THE DRAWING AND INFORMATION CONTAINED THEREON, IS CONFIDENTIAL AND IS THE EXCLUSIVE PROPERTY OF EATON CORPORATION, AND IS MERELY ON LOAN AND SUBJECT TO RECALL BY EATON AT ANY TIME. BY TAKING POSSESSION OF THIS DOCUMENT, THE RECIPIENT ACKNOWLEDGES AND AGREES THAT THIS DOCUMENT CANNOT BE USED IN ANY MANNER ADVERSE TO THE INTERESTS OF EATON AND THAT NO PORTION OF THIS DOCUMENT MAY BE COPIED OR OTHERWISE REPRODUCED WITHOUT THE PRIOR WRITTEN CONSENT OF EATON. IN THE CASE OF CONFLICTING CONTRACTUAL PROVISIONS, THIS NOTICE SHALL GOVERN THE STATUS OF THIS DOCUMENT. © 2011 Eaton Corporation - All Rights Reserved.			