

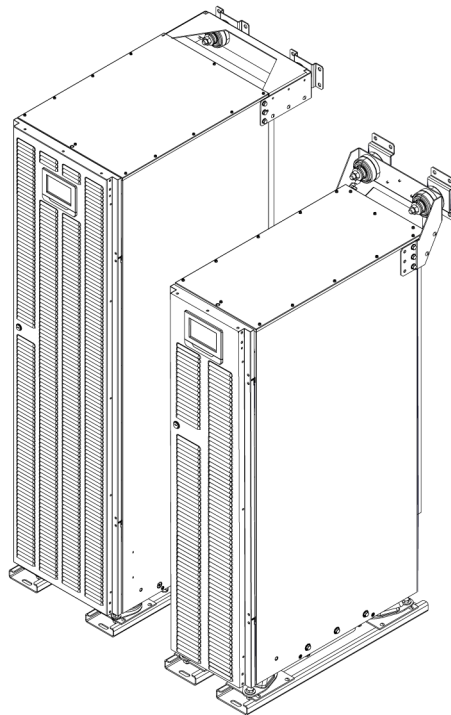


Powering Business Worldwide

User's and installation guide

Eaton 93PS Marine UPS 8–40 kW

P-164000727



Copyright © 2017 Eaton Corporation plc. All rights reserved.

This manual contains important instructions that you should follow during installation and maintenance of the UPS and batteries. Please read all instructions before operating the equipment and save this manual for future reference.

This is a product for commercial and industrial application in the second environment. Installation restrictions or additional measures may be needed to prevent disturbances. The contents of this manual are the copyright of the publisher and may not be reproduced (even extracts) without the written approval of Eaton Corporation. Every care has been taken to ensure the accuracy of the information contained in this manual, but no liability can be accepted for any errors or omission. The right to make design modifications is reserved.

Unauthorized copying and lending are prohibited.

Eaton Power Quality Oy

Address: Koskelontie 13
FI-02920 Espoo
FINLAND

Internet: www.eaton.eu

Approvals and version history

Revision	Date	Description of change	Approved by
001	09.11.2017	First issue	Tommi Berg

Original instructions / Translation of the original instructions

Contents

1	How to read this manual.....	7
1.1	Safety-related signs.....	7
1.2	Safety symbols.....	7
1.2.1	Hazard symbols.....	7
1.2.2	Prohibited action symbols.....	7
1.2.3	Mandatory action symbols.....	8
1.3	Conventions used in this document.....	8
1.4	Glossary.....	8
2	Safety instructions.....	10
2.1	Audience.....	12
2.2	CE marking.....	12
2.3	User precautions.....	12
2.4	Environment.....	13
2.5	Symbols on the UPS and accessories.....	13
2.6	For more information.....	14
3	Introduction to Eaton UPS.....	15
3.1	Looking inside the UPS system.....	17
3.2	UPS operating modes.....	19
3.2.1	Normal operating modes.....	20
3.2.2	Stored energy and battery mode.....	24
3.2.3	Bypass mode.....	26
3.3	UPS features.....	28
3.3.1	Advanced Battery Management.....	28
3.3.2	Hot Sync.....	28
3.3.3	Power Conditioner.....	29
3.3.4	Frequency Converter.....	29
3.3.5	Vibration dampers.....	29
3.4	Software and connectivity features.....	30
3.4.1	User interface.....	30
3.4.2	Power Management Software.....	30
3.5	Options and accessories.....	30
3.5.1	Maintenance Bypass Switch (optional).....	30
3.5.2	Field Installed UPM (accessory).....	30
3.5.3	Internal transformer.....	31
3.5.4	Earth fault monitoring.....	31
3.5.5	Emergency power off 24 V.....	31
3.6	Battery system.....	31
3.7	Basic system configurations.....	32

4	UPS installation plan and unpacking	34
4.1	Creating an installation plan	34
4.2	Installation checklist	35
4.3	Site preparations	35
4.3.1	Environmental and installation considerations	36
4.3.2	UPS system power wiring preparations	39
4.4	Unpacking and unloading the UPS	47
5	UPS system installation	52
5.1	Steps to install the UPS	52
5.2	Battery system installation	54
5.2.1	Battery trip wiring	55
5.3	Installing UPS external battery cabinet and battery power cabling	55
5.4	Installing a remote EPO switch	56
5.5	Installing EPO 24 V input (option)	57
5.6	Installing interface connections	57
5.6.1	Installing customer input signals interface	57
5.6.2	Insulation monitor signals (option)	57
5.6.3	Battery breaker wiring interface	58
5.6.4	Relay output interface connections	58
5.6.5	Industrial Relay Card interface connections	58
5.6.6	MiniSlot interface connections	59
5.6.7	Installing signal interface connections in a parallel system	60
5.7	Wiring parallel UPS systems	60
5.7.1	Power wiring overview	60
5.7.2	Control signals overview	62
5.7.3	Installing bypass control wiring	63
5.8	UPS system interface wiring preparation	66
6	Communication interfaces	67
6.1	MiniSlot cards	69
6.2	Intelligent Power Software	71
6.3	Signal input monitoring	72
6.4	General purpose relay contact	72
6.5	Configuring relays	72
7	UPS operating instructions	77
7.1	UPS controls and indicators	77
7.1.1	Control panel	77
7.1.2	Status indicators	78




	7.1.3	System events.....	79
	7.1.4	Menu structure of the 93PS UPS.....	79
7.2		Signing in.....	83
7.3		System control instructions.....	83
	7.3.1	Start the UPS system in the double conversion mode.....	83
	7.3.2	Start the UPS system in the bypass mode.....	84
	7.3.3	Transfer from the double conversion mode to the bypass mode.....	85
	7.3.4	Transfer from the bypass mode to the double conversion mode.....	85
	7.3.5	Transfer from the double conversion mode to the Energy Saver System mode.....	86
	7.3.6	Transfer from the Energy Saver System mode to the double conversion mode.....	86
	7.3.7	Shut down the UPS system and critical load.....	86
	7.3.8	De-energize the critical load.....	87
7.4		UPS control instructions.....	87
	7.4.1	Start a single UPS.....	87
	7.4.2	Shut down a single UPS.....	88
	7.4.3	Enable and disable the battery charger.....	89
7.5		UPM control instructions.....	89
	7.5.1	Start the UPMs.....	89
	7.5.2	Shut down the UPMs.....	90
7.6		Use the Remote Emergency Power-off switch.....	90
7.7		Turn the UPS from the double conversion mode to the maintenance bypass mode.....	91
7.8		Turn the UPS from the maintenance bypass mode to the double conversion mode.....	92
8		UPS maintenance.....	94
	8.1	Important safety instructions.....	94
	8.2	Preventive maintenance.....	95
	8.2.1	Daily maintenance.....	95
	8.2.2	Monthly maintenance.....	96
	8.2.3	Periodic maintenance.....	96
	8.2.4	Annual maintenance.....	96
	8.2.5	Battery maintenance.....	96
	8.3	Recycling the used UPS or batteries.....	97
	8.4	Maintenance training.....	99
9		Technical data.....	100
	9.1	Directives and standards.....	100
	9.2	UPS system input.....	100
	9.3	UPS system output.....	101

9.4	UPS environmental specifications.....	102
9.5	Battery specification.....	102
10	Warranty.....	104
10.1	General.....	104
10.2	Whom to contact in case of Warranty.....	105

1 How to read this manual

1.1 Safety-related signs

The following table explains the safety-related signs used in this document.

 DANGER	DANGER indicates a hazard with a high level of risk which, if not avoided, will result in serious injury or death.
 WARNING	WARNING indicates a hazard with a medium level of risk which, if not avoided, could result in serious injury or death, or damage to your machine.
 CAUTION	CAUTION indicates a hazard with a low level of risk which, if not avoided, could result in minor or moderate injury, or damage to your machine.








Note: Notes are used to indicate important information and useful tips.

1.2 Safety symbols




1.2.1 Hazard symbols

These symbols indicate a hazardous situation or action. Symbols are used to warn of situations, which may cause environmental damage and personal injury.

	General warning sign		Explosion and fire hazard
	Electrical hazard		Corrosive hazard
	Battery hazard		




1.2.2 Prohibited action symbols

These symbols are used to indicate an action that should not be taken.

	General symbol for prohibited action		No smoking
	Limited or restricted access		

1.2.3 Mandatory action symbols

These symbols are used to indicate an action that must be taken.

	General symbol for mandatory action		Disconnect from power source
	Read the manual or instructions		

1.3 Conventions used in this document

This document uses the following type conventions:

- **Bold type** highlights important concepts in discussions, key terms in procedures and menu options, or represents a command or option that you type or enter at a prompt.
- *Italic type* highlights notes and new terms when they are defined.
- **Screen type** represents information that appears on the screen or LCD.

1.4 Glossary

Eaton documentation uses these acronyms to refer to Eaton UPS products or their parts:

Table 1: Glossary of acronyms

ABM	Advanced Battery Management
BIB	Bypass Input Breaker
EAA	Energy Advanced Architecture
EBC	External Battery Cabinet

EMBS	External Maintenance Bypass Switch
EPO	Emergency Power-off
ESS	Energy Saver System
FI-UPM	Field Installed UPM
IPM	Intelligent Power Manager
IPP	Intelligent Power Protector
MBP	Maintenance Bypass
MBS	Maintenance Bypass Switch
MCB	Miniature Circuit Breaker
MIS	Maintenance Isolation Switch
MOB	Module Output Breaker
REPO	Remote Emergency Power-off
RIB	Rectifier Input Breaker
SCR	Silicon-controlled Rectifier
SNMP	Simple Network Management Protocol
STSW	Static (bypass) Switch
UPM	Uninterruptible Power Module
UPS	Uninterruptible Power Supply
VMMS	Variable Module Management System

2 Safety instructions



DANGER

Important safety instructions!
Keep these instructions!

This document contains important instructions that must be obeyed during the installation, operation and maintenance of the UPS and the batteries. Read all of the instructions before operating the equipment. Keep this manual for future reference.



DANGER

Operations inside the UPS must be done by an authorized Eaton Customer Service Engineer or by other qualified service personnel authorized by Eaton. There are no user-serviceable parts in the UPS.

The UPS operates with mains, battery or bypass power. It contains components that carry high currents and voltage. A properly installed UPS is earthed and IP23 rated against electric shock and foreign objects. However, the UPS is a sophisticated power system and only qualified personnel are allowed to install and service it.



DANGER

This UPS carries lethal voltages. All repairs and service must be done by authorized personnel only. There are no user-serviceable parts inside the UPS.



WARNING

The UPS is powered by its own energy source (batteries). The output terminals may be energized even when the UPS is disconnected from an AC source. To reduce the risk of fire or electric shock, install this UPS in a temperature and humidity controlled, indoor environment that is free of conductive contaminants.

The ambient temperature must not exceed the specification. Do not operate the UPS in water or excessive humidity (95% maximum). The system is not intended for outdoor use.

Before you start any installation or service work, make sure that all AC and DC power sources are disconnected. Power can come from multiple sources. Also ensure system grounding / PE continuity.

In a parallel system, the output terminals could be energized even when the UPS is turned off.

WARNING

Batteries present a risk of electrical shock or burn from high short-circuit current. Obey the precautions.

Electric energy hazard. Do not attempt to alter any battery wiring or connectors. Attempting to alter wiring can cause injury.

Do not open or mutilate batteries. Released electrolyte may be toxic and is harmful to the skin and eyes.

Batteries may contain HIGH VOLTAGES, and CORROSIVE, TOXIC and EXPLOSIVE substances. Because of the battery string the output receptacles can carry high voltage even when the AC supply is not connected to the UPS. Read the shutdown instructions carefully.

IMPORTANT: The battery can consist of multiple parallel strings. Make sure that you disconnect all strings before installation.

CAUTION

Only qualified service personnel knowledgeable of batteries and the required precautions are allowed to perform installation or service work on batteries. Keep unauthorized personnel away from the batteries. Before you install or replace batteries, consider all the warnings, cautions, and notes concerning appropriate handling. Do not disconnect the batteries when the UPS is in the Battery mode.

Make sure that your replacement batteries are of the same number and type as the battery that was originally installed in the UPS. See more accurate instructions on the UPS.

Before you connect or disconnect battery terminals, disconnect the charging source by opening the corresponding battery circuit breaker.

Examine if the battery is inadvertently grounded. If it is, remove the source of the ground. If you contact any part of a grounded battery it can cause a risk of electric shock. If you disconnect the grounding connection before you work on the batteries, the risk of an electric shock is less likely.

Discard batteries according to your local disposal requirements. Do not discard batteries in a fire. When exposed to flame, batteries may explode.

To ensure proper cooling airflow and to protect personnel from dangerous voltages inside the unit, keep the UPS door closed and the front panels installed.

Do not install or operate the UPS system close to gas or electric heat sources. Keep the operating environment within the parameters stated in this document.

**CAUTION**

Keep the surroundings of the UPS uncluttered, clean, and free from excess moisture.

Obey all DANGER, CAUTION, and WARNING notices in and out of the equipment.

2.1 Audience

The intended audience of this document:

- People who plan and do the installation of the UPS
- People who use the UPS

This document gives guidelines on how to examine the UPS delivery and how to install and operate the UPS.

The reader should know the fundamentals of electricity, wiring, electrical components and electrical schematic symbols. This document is written for a global reader.

CAUTION

Read this document before you start to operate or do any work on the UPS.

2.2 CE marking

The product has a CE marking in compliance with the following European directives:

- LV Directive (Safety) 2014/35/EU
- EMC Directive 2014/30/EU

Declarations of conformity with UPS harmonized standards and directives EN 62040-1 (Safety) and EN 62040-2 (EMC) are available at www.eaton.eu or by contacting your nearest Eaton office or authorized partner.

2.3 User precautions

The only permitted user operations:

- Startup and shutdown of the UPS, excluding the commissioning startup.
- Use of the LCD control panel and the Maintenance Bypass Switch (MBS).
- Use of optional connectivity modules and their software.

Obey the precautions and do only the described operations. Any deviation from the instructions can be dangerous to you or cause accidental load loss.

DANGER

Do not open any other screws in the unit than those holding the cover plates of the MiniSlots and the MBS locking plate. It can be fatal if you fail to recognize the electric hazards.

CAUTION

The 8-40 kW models are available as a C2 UPS product in regard to emissions and a C3 UPS product in regard to immunity. The UPS can be placed both in residential and commercial or industrial environments. When included in a residential environment, this product can cause radio interference. In that case you could have to take additional preventive measures.

2.4 Environment

The UPS must be installed according to the recommendations in this document. Never install the UPS in an airtight room, in the presence of flammable gases, or in an environment exceeding the specifications.

Excessive amount of dust in the operating environment of the UPS may cause damage or lead to malfunction. Always protect the UPS from the outside weather and sunshine. In order to maximize internal battery service life time, the recommended operating temperature range is from +20 °C to +25 °C.

WARNING





During charge, float charge, heavy discharge, and overcharge, hydrogen and oxygen gases are emitted from lead-acid and NiCd batteries into the surrounding atmosphere. Explosive gas mixture may be created if the hydrogen concentration exceeds 4% by volume in air. Ensure the necessary air flow rate for the ventilation of the UPS location.

2.5 Symbols on the UPS and accessories

The following are examples of symbols used on the UPS or its accessories. The symbols are used to alert you of important information.

**RISK OF ELECTRIC SHOCK**

Indicates that a risk of electric shock is present and the associated warning should be observed.

	<p>CAUTION: REFER TO OPERATOR'S MANUAL</p> <p>Refer to your operator's manual for additional information, such as important operating and maintenance instructions.</p>
 <p>Pb</p>	<p>This symbol indicates that you may not discard the UPS or the UPS batteries in the trash. This product involves sealed, lead-acid batteries and they must be disposed of properly. For more information, contact your local recycling / reuse or hazardous waste center.</p>
 	<p>This symbol indicates that you may not discard waste electrical or electronic equipment (WEEE) in the trash. For proper disposal, contact your local recycling / reuse or hazardous waste center.</p>

2.6 For more information

Address any inquiries about the UPS and the battery cabinet to the local office or an agent authorized by the manufacturer. Quote the type code and the serial number of the equipment.

Call your local service representative if you need help with any of the following:

- scheduling initial startup
- regional locations and telephone numbers
- a question about any of the information in this manual
- a question that this manual does not answer



Note: For more information about the installation space, safe operation and working, see IEC 62485-2: Safety requirements for secondary batteries and battery installations.

3 Introduction to Eaton UPS

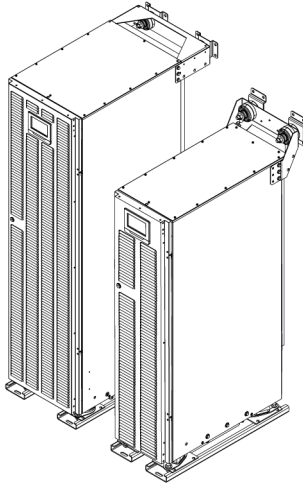


Figure 1. 93PS 20 and 40 kW Marine UPS frames

The Eaton® 93PS uninterruptible power supply (UPS) is a true online, continuous-duty, transformerless, double-conversion, solid-state, three-phase system that supplies conditioned and uninterruptible AC power to critical load and protects it from power failures.

The UPS is used to prevent loss of valuable electronic information, minimize equipment downtime, and minimize the adverse effect on production equipment due to unexpected power problems.

The UPS continually monitors incoming electrical power and removes the surges, spikes, sags, and other irregularities that are inherent in utility power. Working with a vessel's electrical system, the UPS system supplies clean, consistent power that sensitive electronic equipment require for reliable operation. During brownouts, blackouts, and other power interruptions, batteries provide emergency power to safeguard operation.

The UPS system is housed in a single, free-standing cabinet with safety shields behind the door for protection against hazardous voltage. Each UPS cabinet has a centralized system static bypass. The available static bypass ratings are 20 kW and 40 kW. The static bypass size is chosen according to UPS system power. For example, if a future requirement is to upgrade the UPS capacity, the UPS bypass rating has to be selected accordingly. In addition, the bypass ratings of all the UPS cabinets in a parallel system need to be matched.

Vibration dampers are used in marine environments to eliminate vibration that could have a negative impact on the unit's performance. The vibration dampers

come with wall and floor mounting steel rails that enable firm fastening to vessel structure.

The output power ratings are based on uninterruptible power modules (UPMs). With the small 20 kW frame, a single UPS cabinet can house one UPM module to get ratings of 8 kW, 10 kW, 15 kW or 20 kW. With the large 40 kW UPS frame, a single UPS cabinet can house one or two UPM modules to get ratings of 8 kW, 10 kW, 15 kW, 20 kW, 30 kW or 40 kW.

A UPM includes a rectifier, inverter, battery converter, and independent controls. Each UPM is able to operate independently from the other power modules.



Note: Startup and operational checks must be done by an authorized Eaton Customer Service Engineer or by other qualified service personnel authorized by Eaton, or the terms specified in the Warranty (see Chapter 10) become void. This service is offered as part of the sales contract for the UPS. Contact service in advance (usually a two-week notice is required) to reserve a preferred startup date.

3.1 Looking inside the UPS system

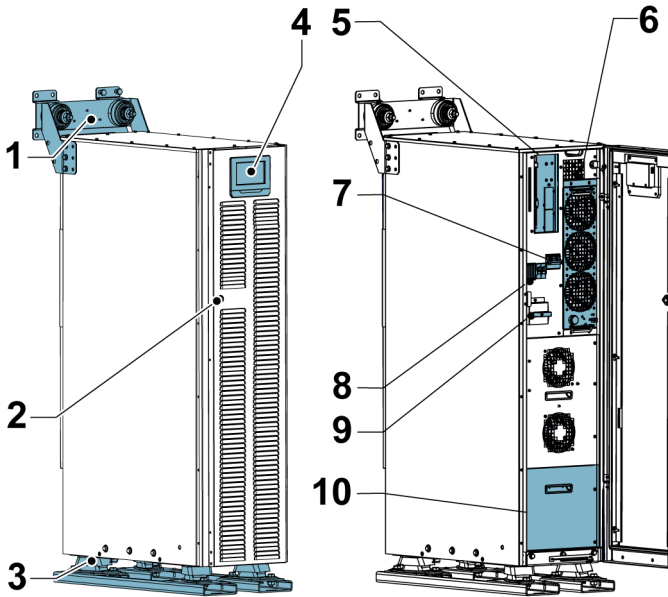


Figure 2. Looking inside the 20 kW frame UPS

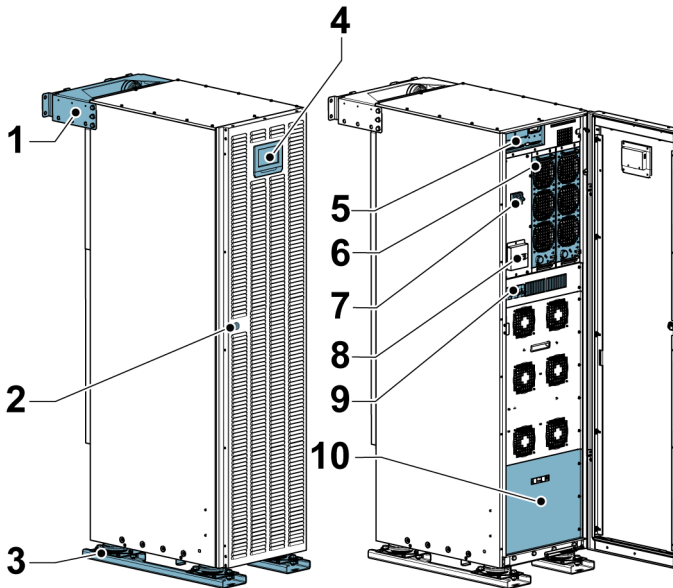


Figure 3. Looking inside the 40 kW frame UPS

- | | | | |
|----------|-------------------------------|-----------|---|
| 1 | <i>Vibration damper, rear</i> | 6 | <i>Uninterruptible Power Module (UPM)</i> |
| 2 | <i>Door lock</i> | 7 | <i>Input switch</i> |
| 3 | <i>Rails</i> | 8 | <i>Maintenance bypass switch (optional)</i> |
| 4 | <i>Control panel</i> | 9 | <i>Transformer fan breaker</i> |
| 5 | <i>Communications area</i> | 10 | <i>Dead-front</i> |

The system level static bypass in the UPS cabinet determines the attainable output power. The static bypass line consists of a static switch and a backfeed protection isolation device connected in series. In addition, there is a system level control unit that constantly monitors the power delivered through the bypass line or to the input of the UPS. Transfers to static bypass are seamless and performed automatically by the system as needed, for example, in case of an extended system overload.

Each UPM includes a rectifier, battery converter, inverter and independent controls. Each UPM is able to operate and share the load independently, despite the status of the other UPMs.

In addition, the system can have a UPS-internal maintenance bypass switch as a factory-installed option.

The UPS 20 kW frame includes one UPM. It can include a 20 kW or 40 kW rated static bypass. The UPS 40 kW frame includes one or two UPMs and a 40

kW rated static bypass. In the 40 kW frame, the two UPMs are paralleled internally.



WARNING

Hazardous voltage can exist in the battery circuit until disconnected from the external battery source.

The rectifier input switch is available as standard for all the models. The internal MBS is available as option for all the models.

Internal transformers are available as option. The unit can be equipped with a maximum of two transformers. Transformers can be used to match the UPS input, output or bypass source configuration and voltage to the input supply and load requirements. They can also be used for galvanic isolation, changing the grounding system, and creating neutral wiring (and, in a way, improve the short circuit capability).

If utility power is interrupted or falls outside the parameters specified in Chapter 9, the UPS uses a backup battery supply to maintain power to the critical load for a specified period of time or until the utility power returns. For extended power outages, the UPS allows you to either transfer to an alternative power system (such as a generator) or shut down your critical load in an orderly manner. The UPS bypass consists of a continuous-duty static switch and a backfeed protection isolation device. All the models also include an internal fuse in the bypass line. The backfeed protection and bypass fuse are located in series with the static switch.

3.2 UPS operating modes

Table 2: UPS operating modes

UPS operating mode	Description
Normal operating modes:	
Double conversion mode	Critical load is supplied by the inverter, which derives its power from rectified utility AC power. In this mode, the battery charger also provides charging current for the battery, if needed.

UPS operating mode	Description
Energy Saver System (ESS mode)	Critical load is supported securely by utility power through the static bypass switch with double conversion available on-demand with typically less than a 2 ms transition time, should any abnormal condition be detected in the utility. When operating in the ESS mode, the load is protected with inherent surge suppression. Operating the UPS in the ESS mode increases system efficiency up to 98.8%, allowing significant savings in energy losses without compromising system reliability.
Other operating modes:	
Stored energy mode	Energy is drawn from a DC backup power source and converted to AC power by the UPS inverter. Most commonly VRLA batteries are introduced to the system for this purpose, and the mode of operation is called the battery mode.
Bypass mode	Critical load is supported directly by utility power through the UPS static switch.

3.2.1 Normal operating modes

During normal UPS operation, power for the system is derived from a utility input source. **Unit Online** is displayed on the front panel, indicating that the incoming power is within voltage and frequency acceptance windows.

3.2.1.1 Double conversion mode

Figure 4 shows the path of electrical power through the UPS system when the UPS is operating in the double conversion mode.

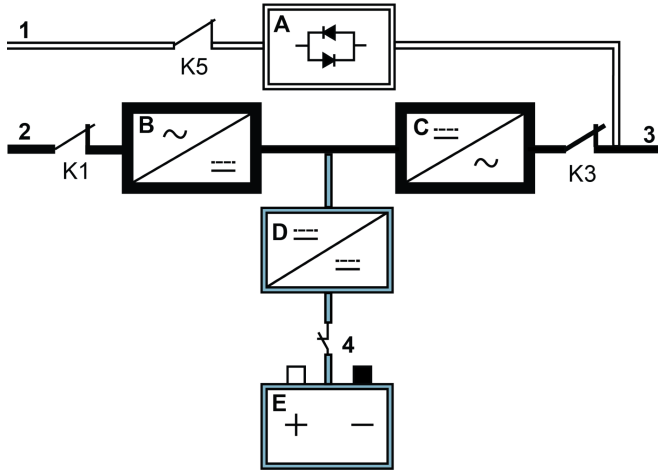


Figure 4. Path of current through the UPS in the double conversion mode

A	Static switch	1	Bypass input		Main power flow
B	Rectifier	2	Rectifier input		Energized
C	Inverter	3	Output		De-energized
D	Battery converter	4	Battery breaker		Trickle current
E	Battery		Closed		Open

Three-phase AC input power is converted to DC using a multilevel converter with IGBT devices to produce a regulated DC voltage to the inverter. The UPS status indicated on the display is **Unit Online** and the UPM status is **Active**.

The battery converter derives its input from the regulated DC output of the rectifier and provides regulated charge current to the battery. The battery is always connected to the UPS and ready to support the inverter should the utility input become unavailable.

The inverter produces a three-phase AC output to the critical load. The inverter uses multilevel converter technology with IGBT devices and pulse-width modulation (PWM) to produce a regulated and filtered AC output.

If the utility AC power is interrupted or is out of specification, the UPS automatically switches to the battery mode to support the critical load without interruption. When utility power returns, the UPS returns automatically to the double conversion mode.

If the UPS becomes overloaded or unavailable, the UPS seamlessly switches to the bypass mode and continues supplying the load through the static bypass. The UPS automatically returns to the double conversion mode when the abnormal condition, such as an extended time overload, is cleared and the system operation is restored within the specified limits.

If a UPM within the UPS suffers an internal failure, the remaining UPMs continue to support the load in the double conversion mode. The UPS is automatically internally redundant when the UPS is not operating at full load. However, if internal redundancy between the UPMs is not possible due to high load, the UPS switches automatically to the bypass mode and remains in that mode until the failure is corrected and the UPS is back in operation.

In an external parallel redundant system, each UPS can be isolated from the system for service while the remaining UPSs support the load in the double conversion mode.

3.2.1.2 Energy Saver System mode

Figure 5 shows the path of electrical power through the UPS system when the UPS is operating in the Energy Saver System (ESS) mode.

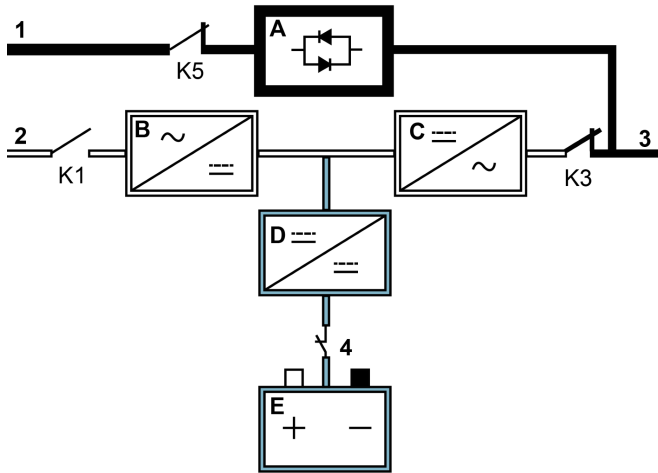


Figure 5. Path of current through the UPS in the Energy saver System mode

A	Static switch	1	Bypass input		Main power flow
B	Rectifier	2	Rectifier input		Energized
C	Inverter	3	Output		De-energized
D	Battery converter	4	Battery breaker		Trickle current
E	Battery				Closed
					Open

In the ESS mode, the UPS safely provides mains current directly to the load when the input is within the acceptable limits by its voltage and frequency. The UPS status indicated on the display is **Unit Online ESS**, and the UPM status is **Active**. Surge protection and some filtering is also provided, making sure that clean power is delivered to the load equipment. In case any disturbances are detected in the incoming power, the UPS switches to the double conversion mode and continues to supply the critical load through its inverter. In case of a complete utility outage or if the input power is outside the tolerances of the system, the UPS transfers to the battery mode and continues to supply conditioned, clean power to the critical load.

When operating in the ESS mode, the UPS's superior detection and control algorithms continuously monitor the incoming power quality and allow fast

engagement of the power converters. Typical transition time to the double conversion mode is less than 2 milliseconds, which is practically seamless.

When the power conditions are within acceptable limits, the UPS operates as a high efficiency, energy-saving system, providing surge protection for IT equipment and making sure that clean power is delivered to the facility. The energy saver system increases system efficiency up to 98.8% when supplying 20–100% of nominal load, reducing energy losses by up to 80%.

3.2.2 Stored energy and battery mode

When running normally in the double conversion or ESS mode, the UPS automatically transfers to supply the load from batteries or some other stored energy source if a utility power outage occurs, or if the utility power does not conform to the specified parameters. The UPS status indicated on the display is **On Battery**, and the UPM status is **Active**. In the battery mode, the battery provides emergency DC power, which is converted to regulated output power by the inverter.

Figure 6 shows the path of electrical power through the UPS system when operating in the battery mode.

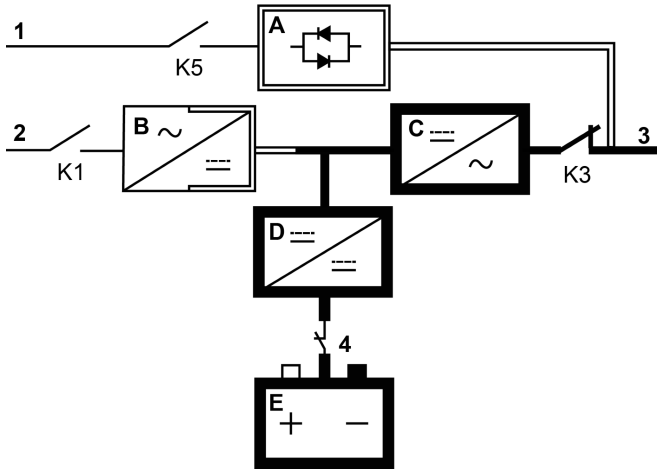








Figure 6. Path of current through the UPS in the battery mode

A	Static switch	1	Bypass input		Main power flow
B	Rectifier	2	Rectifier input		Energized
C	Inverter	3	Output		De-energized
D	Battery converter	4	Battery breaker		Trickle current
E	Battery		Closed		Open

During a utility power failure, the rectifier no longer has an AC utility source from which to supply the DC output current required to support the inverter. The input relay K1 opens and the UPS output is powered from the batteries through the inverter. As the inverter operates uninterrupted through the transition, the load remains supported continuously without disturbance. If the UPS static bypass is supplied from the same source as the UPS rectifier, the backfeed protection contactor K5 also opens. The opening of K1 and K5 prevent system voltages from bleeding backwards and re-entering the input source through the static switch or rectifier.

If the input power fails to return or is not within the acceptance windows required for normal operation, the battery continues discharging until a DC voltage level is reached where the inverter output can no longer support the connected loads. When this event occurs, the UPS issues a set of audible and visual alarms indicating that the batteries have a minimal capacity left and a system shutdown is imminent. Unless utility power is restored, the output can be supported for a

maximum of 2 minutes before the output of the system shuts down. If the bypass source is available, the UPS transfers to the bypass mode instead of shutting down.

If the input power becomes available again at any time during the battery discharge, K1 and K5 close and the UPS returns to normal operation. The UPS also starts to recharge the batteries to restore the capacity.

3.2.3 Bypass mode



CAUTION

The critical load is not protected while the UPS is in bypass mode.

The UPS automatically switches to the bypass mode if it detects an overload, load fault, or internal failure. The bypass source supplies the commercial AC power to the load directly. The UPS can also be commanded to transfer to the bypass mode manually through the display. The UPS status indicated on the display is **On Bypass**.

The UPS will return from the bypass mode back to online mode, if the condition (for example overload) that caused the transfer is cleared. If there is a condition that will not clear by itself (for example UPS internal failure), the UPS will remain on bypass operation.

Figure 7 shows the path of electrical power through the UPS system when operating in the bypass mode.

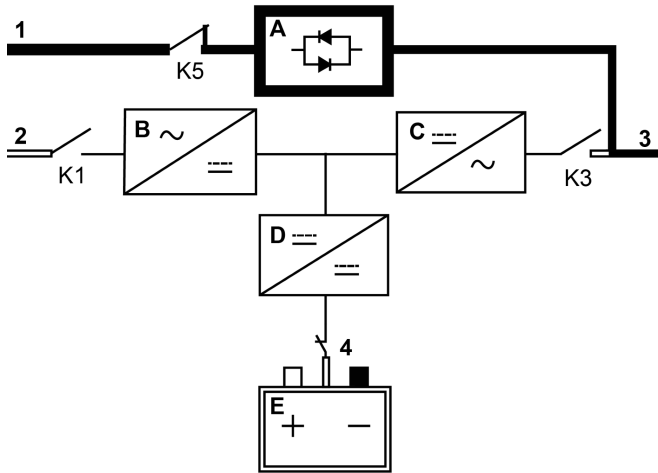


Figure 7. Path of current through the UPS in the bypass mode

A	Static switch	1	Bypass input		Main power flow
B	Rectifier	2	Rectifier input		Energized
C	Inverter	3	Output		De-energized
D	Battery converter	4	Battery breaker		Trickle current
E	Battery		Closed		Open

In the bypass mode, the output of the system is provided with three-phase AC power directly from the system input. While in this mode, the output of the system is not protected from voltage or frequency fluctuations or power outages from the source. Some power line filtering and transient protection is provided to the load, but no active power conditioning or battery support is available to the output of the system in the bypass mode.

The static bypass consists of a solid-state, silicon-controlled rectifier (SCR) static switch (STSW) and a backfeed protection isolation device K5. The static switch is rated as a continuous-duty device that is used anytime the inverter is unable to support the applied load. The static switch is wired in series with the backfeed protection. As the static switch is an electronically-controlled device, it can be turned on immediately to pick up the load from the inverter without interruption. The backfeed protection is normally always closed, ready to support the static switch unless the bypass input source becomes unavailable.

3.3 UPS features

The Eaton UPS has many features that provide cost-effective and consistently reliable power protection. The feature descriptions provide a brief overview of the UPS standard features.

3.3.1 Advanced Battery Management

The Advanced Battery Management technology uses sophisticated sensing circuitry and a three-stage charging technique that extends the useful service life of UPS batteries while optimizing the battery recharge time. ABM also protects batteries from damage caused by high current charging and inverter ripple currents. Charging at high currents can overheat and damage batteries.

In the *charge mode*, the batteries are recharged. Charging lasts only as long as it takes to bring the battery system up to a predetermined float level. Once this level is reached, the UPS battery charger enters the *float stage* and the charger operates in the constant voltage mode.

The *rest mode* begins at the end of the charge mode; that is, after 48 hours of float charging (user-adjustable). In the rest mode, the battery charger is completely turned off. The battery system receives no charge current during this rest period of approximately 28 days (user-adjustable). During the rest mode, the open circuit battery voltage is monitored constantly, and battery charging is resumed when necessary.

3.3.2 Hot Sync

The Eaton Hot Sync technology is an algorithm that eliminates the single point of failure in a parallel system and therefore enhances system reliability. The Hot Sync technology is incorporated in all UPSs, and it is utilized in both multi-module internal parallel and external parallel systems.

The Hot Sync technology enables all UPMs to operate independently in a parallel system, even without inter-module communications. The power modules utilizing the Hot Sync technology are completely autonomous; each module monitors its own output independently to remain in complete synchronization with the other modules. The UPM power modules share the load perfectly even in changing capacity or load conditions.

The Hot Sync technology combines digital signal processing and an advanced control algorithm to provide automatic load sharing and selective tripping in a parallel UPS system. The load share control algorithms maintain synchronization and load balance by constantly making minute adjustments to variations in the output power requirements. The modules conform to demand and are not in conflict with each other for the load. The Hot Sync systems are capable of paralleling for both redundancy and capacity.

3.3.3 Power Conditioner

The Power Conditioner mode is characterized by the UPS running in the double conversion mode without batteries connected. In the Power Conditioner mode, the UPS provides conditioned output voltage and frequency. The UPS can also support high nonlinear loads without ITHD on the input. The UPS meets the qualifications outlined in this product specification, except for the conditions below.

When in the Power Conditioner mode, the UPS has the following functionality and limitations:

1. The UPS runs in the double conversion mode.
2. Because there is no battery, loss of utility power results in the UPS losing power and shutting down.
3. The UPS sustains up to -50% input voltage tolerance, unless the current limit is reached.
4. If the rectifier is turned off, the UPS attempts a transfer to the bypass mode.
5. The ESS mode is not available.
6. The Power Conditioner mode is available in both 3 and 4 wire configurations.

3.3.4 Frequency Converter

The Frequency Converter mode is characterized by the UPS running without the bypass mode available. The output frequency can be configured to be different from the standard input frequency (e.g. 60 Hz output, 50 Hz input). The UPS can also support high nonlinear loads without iTHD on the input. The UPS meets the qualifications outlined in this product specification, except for the conditions below.

When in the Frequency Converter mode, the UPS has the following functionality and limitations:

1. Operation is the same as when in the double conversion mode with no bypass available.
2. Bypass alarms are suppressed.

3.3.5 Vibration dampers

Vibration dampers are used in marine environments to eliminate vibration that could have a negative impact on the unit's performance.

The vibration damper feature comes with wall and floor mounting steel rails that enable firm fastening to vessel structure.



Note: A minimum of 30 mm clearance is recommended on both sides of the cabinet to avoid the vibrating cabinet hitting any paralleled UPS or accessory cabinets.

3.4 Software and connectivity features

3.4.1 User interface

MiniSlot Communication Bays — there are 2 communication bays for MiniSlot connectivity cards. MiniSlot cards are quickly installed and are hot-pluggable. See Chapter 6 for additional information.

3.4.2 Power Management Software

Intelligent Power software products offer tools for monitoring and managing power devices across the network. See Chapter 6 for more information.

3.5 Options and accessories

Contact your Eaton sales representative for more information about the available options and accessories.

3.5.1 Maintenance Bypass Switch (optional)

The Maintenance Bypass Switch (MBS) enables power to completely bypass and isolate the UPS so that the UPS can be safely serviced or replaced without interrupting power to critical systems.

An internal Maintenance Bypass Switch is provided as a factory-installed option. Alternatively, MBS solutions are also available in an external enclosure as accessory items.

External Maintenance Bypass Switch Panel (accessory)

The external MBS is enclosed in its own separate, wall-mounted cabinet. The EMBS contains a rotary switch (MBP & MIS) to change the source that supplies the load between the UPS output and the mechanical bypass. It may additionally include two breakers: one for the rectifier inputs (RIB) and another for bypass inputs (BIB). It may also include auxiliary contacts to report the status of the switchgear to the UPS.

For external MBS installation instructions, see a separate manual.

3.5.2 Field Installed UPM (accessory)

With a UPS in a 40 kW frame that has only one UPM installed, a Field Installed UPM (FI-UPM) can be installed in the cabinet any time in the future when power

needs change. This enables the UPS system to grow with the business, thus lowering the initial investment required for the system on Day 1.

In order to install an FI-UPM, the UPS cabinet needs to have upgradeability, when purchasing the UPS. For example, if the UPS contains one 20 kW UPM, it is possible to add another 20 kW UPM to it.

For a listing of the upgradeable configurations, see Table 3.

CAUTION



Only an authorized Eaton Customer Service Engineer or other qualified service personnel authorized by Eaton can install an FI-UPM.



Note: Examine the cable and fuse rating before power upgrades.

3.5.3 Internal transformer

Internal transformers can be used to match the input source and load requirements to the internal voltages of the UPS. Auto or isolation transformers are used to match the input or output voltage to the UPS requirements. Isolation transformers can also be used to change the distribution system (for example IT or TN-S).

The UPS can be equipped with internal transformers. These transformers can be installed in the UPS output or UPS input (single feed for rectifier and bypass).

3.5.4 Earth fault monitoring

Earth fault monitoring is an option that can be used to monitor the earth fault condition and give alarms if the condition changes. If your model has this option, connect the monitored UPS system (input or output) to a distribution system, which is isolated from earth.

The alarm level can be set between 5 k Ω and 100 k Ω .

3.5.5 Emergency power off 24 V

By default, the emergency power off terminals in the UPS are drycontact type. A 24 V emergency power off input is available as option. With this option, the emergency power off sequence is activated when a 24 V control signal is supplied to the UPS.

3.6 Battery system

The battery system provides short-term emergency backup power to safeguard operation during brownouts, blackouts, and other power interruptions. By default, UPS is configured to use VRLA batteries. If other type of batteries or

other energy storage means need to be connected, consult a certified service technician prior to proceeding with the installation.

For detailed battery specifications, see Chapter 9.

3.7 Basic system configurations

UPS power rating

The maximum attainable UPS system power rating is determined by the size of the UPS cabinet frame. The number of UPM power modules determines the nominal power rating of the UPS. If upgradeability is required, the system static bypass should be chosen according to the future maximum load rating, and the number of UPMs is chosen according to the Day 1 capacity requirements.

The following UPS configurations with different static bypass sizes and number of UPMs are possible:

Table 3: UPS configurations

Description	System power [kW]	Power modules [kW]	Static switch [kW]
Single system configurations in the 20 kW frame size			
93PS-8(20)-20	8	1*8	20
93PS-10(20)-20	10	1*10	20
93PS-15(20)-20	15	1*15	20
93PS-20(20)-20	20	1*20	20
Single system configurations in the 40 kW frame size			
93PS-8+8(40)-40	8	8+8	40
93PS-10+10(40)-40	10	10+10	40
93PS-15+15(40)-40	15	15+15	40
93PS-20+20(40)-40	20	20+20	40
93PS-30(40)-40	30	2*15	40
93PS-40(40)-40	40	2*20	40

With a UPS 40 kW frame, a single UPS frame can house a maximum of 2 UPMs, resulting in the maximum power rating of 40 kW. In addition, up to 4 UPS frames can be connected in parallel to create even larger systems. With a UPS 20 kW frame, a single UPS frame can house only one power module.

UPS options and accessories

The following table shows different standard and optional UPS features.

Table 4: Standard and optional UPS features

Feature	93PS 8–40 kW
Battery star	Standard
Integrated backfeed protection	Standard
Internal MBS	Standard
Rectifier input switch S1	Standard
Smart touch screen display for system control and monitoring	Standard
SNMP web interface	Optional
Boost charge	Optional
Earth fault monitoring	Optional
24V EPO interface	Optional
Internal transformer	Optional

Additional options and accessories are also available. These include different software and connectivity options and external switchgear and power distribution options.

4 UPS installation plan and unpacking

Use these basic sequence of steps to install the UPS:

1. Create an installation plan for the UPS system.
2. Prepare your site for the UPS system.
3. Inspect and unpack the UPS cabinet.
4. Unload and install the UPS cabinet and wire the system.
5. Complete the installation checklist provided in Section [4.2](#).
6. Have authorized service personnel do the preliminary operational checks and startup.



Note: Startup and operational checks must be done by an authorized Eaton Customer Service Engineer or by other qualified service personnel authorized by Eaton, or the terms specified in the Warranty (see Chapter [10](#)) become void. This service is offered as a part of the sales contract for the UPS. Contact service in advance (usually a two-week notice is required) to reserve a preferred startup date.

4.1 Creating an installation plan

Before you install the UPS system, read and understand how these instructions apply to the system that you are going to install. Use the procedures and illustrations in Section [4.3](#) and Chapter [5](#) to create a logical plan for installing the system.

4.2 Installation checklist

Action	Yes / No
All packing materials and restraints are removed from each cabinet.	
Each cabinet in the UPS system is placed in its installed location.	
A cabinet grounding kit / mounting kit is installed between any cabinets that are bolted together.	
All conduits and cables are properly routed to the UPS and any additional cabinets.	
All power cables are properly sized and terminated.	
Neutral conductors are installed and bonded to ground according to the requirements.	
A ground conductor is properly installed.	
Battery cables are terminated and connected to battery connectors.	
Battery Shunt trip and Aux contact signal wiring is connected from the UPS to the battery breaker.	
LAN drops are installed.	
All LAN connections are completed.	
Air conditioning equipment is installed and operating correctly.	
There is adequate workspace around the UPS and other cabinets.	
Adequate lighting is provided around all the UPS equipment.	
A 230 VAC service outlet is located within 7.5 meters of the UPS equipment.	
The Remote Emergency Power-off (REPO) device is mounted in its installed location and its wiring is terminated inside the UPS cabinet.	
If EPO is used in the NC configuration, a jumper is installed on the EPO between pins 1 and 2.	
(OPTIONAL) Alarm relays and signal outputs are wired appropriately.	
A remote battery disconnect control is mounted in its installed location and its wiring is terminated inside the UPS and battery cabinet.	
(OPTIONAL) Accessories are mounted in their installed locations and their wiring is terminated inside the UPS cabinet.	
Start-up and operational checks are done by an authorized Eaton Customer Service Engineer.	

4.3 Site preparations

For the UPS system to operate at peak efficiency, the installation site must meet the environmental parameters outlined in these instructions. If the UPS needs to be operated at an altitude higher than 1,000 m, contact your service representative for important information about high altitude operation. The operating environment must meet the height, clearance, and environmental requirements specified.

4.3.1 Environmental and installation considerations

The UPS system without transformers can be installed where there is TN, TT, or IT power distribution system. The three phases must be symmetrical about ground (from a Wye source). If an optional isolation transformer is used in the rectifier and bypass inputs, the UPS can also be connected to unsymmetrical (for example, delta source and corner grounded) configurations.

The requirement of input neutral depends on the UPS model. Refer to the type plate on the UPS enclosure for the input wiring configuration.

- If the configuration is 3/N/PE, input neutral wire for rectifier and bypass feed is required.
- If the configuration is 3/PE, neutral wire is not required.
- If the output configuration is 3/N/PE, a neutral terminal is also available in the UPS output.

The UPS system installation must meet the following guidelines:

- The system must be installed on a level floor suitable for electronic equipment. The floor must be suitable for heavy weight.
- The system must be installed in a temperature and humidity controlled indoor area that is free of conductive contaminants.
- The cabinet can be installed in line-up-and-match or standalone configurations.

If you do not obey these guidelines your warranty could become void.

CAUTION



Do not stack anything on top of the UPS cabinet.

If it is installed on a shelf, use suitable supports to prevent the UPS from tipping or dropping.

The UPS equipment operating environment must meet the weight requirements shown in Table 6, and the size requirements shown in Table 5.

Table 5: Dimensions

	20 kW frame [mm]	40 kW frame [mm]
Shipping dimensions (WxDxH)	540 x 800 x 1700	750 x 850 x 2100

	20 kW frame [mm]	40 kW frame [mm]
Cabinet dimensions (WxDxH)	356 x 875 x 1370	503 x 975 x 1810

Table 6: UPS cabinet weights with plywood packaging

	20 kW frame	40 kW frame
Shipping weight	367 kg	617 kg
Installed weight	342 kg	582 kg
Floor loading	1,007 kg/m ²	1,478 kg/m ²

The UPS cabinets use forced air cooling to regulate internal component temperature. By default, air inlets are in the front of the cabinet and outlets are in the rear. Allow clearance in front of and behind each cabinet for proper air circulation.

The clearance required around the UPS cabinet is shown in Table 7.

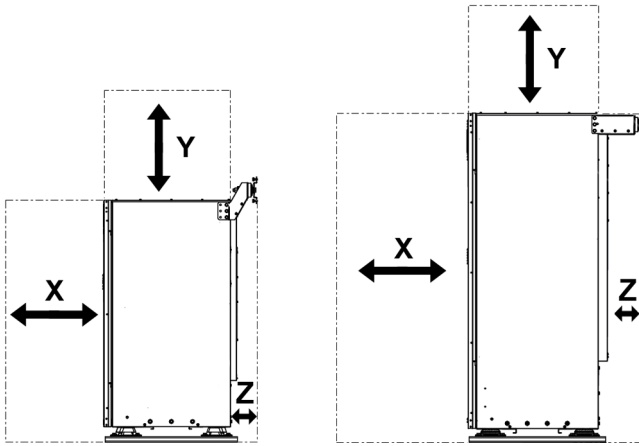


Note: This equipment is not intended for building-in, rack-mounting or for incorporation in larger equipment.

Table 7: UPS cabinet minimum clearances

	20 kW frame	40 kW frame
From the top of the cabinet	500 mm	500 mm
From the front of the cabinet	500 mm	650 mm
From the rear of the cabinet*	150 mm	250 mm
From the side of the cabinet	0 mm	0 mm

*) Determined by wall bracket.



- X = clearance in front of the UPS cabinet
- Y = clearance at the top of the UPS cabinet
- Z = clearance at the rear of the UPS cabinet

Figure 8. UPS cabinet clearances

The basic environmental requirements for the operation of the UPS system:

- Ambient temperature range: from +0 to +45 °C
- Recommended operating range: from +20 to +25 °C
- Maximum relative humidity: 95%, non-condensing

It is required that ventilation of the UPS room is arranged. Sufficient amount of air cooling is needed to keep the maximum room temperature rise at the desired level:

- Temperature rise of +5 °C maximum requires the airflow of 600 m³ per 1 kW of losses.
- Temperature rise of +10 °C maximum requires the airflow of 300 m³ per 1 kW of losses.

An ambient temperature from +20 °C to +25 °C is recommended to achieve a long life of the UPS and batteries. The cooling air that enters the UPS must not exceed +45 °C. Avoid high ambient temperature, moisture, and humidity.

For ventilation requirements, see the heat rejection in Table 8.

Table 8: Air conditioning or ventilation requirements during full load operation

	Heat rejection (BTU/h x 1,000)	Heat rejection (kW)
8 kW	1.17	0.3

	Heat rejection (BTU/h x 1,000)	Heat rejection (kW)
10 kW	1.46	0.4
15 kW	2.19	0.6
20 kW	2.92	0.9
30 kW	4.38	1.3
40 kW	5.84	1.7

Battery locations and enclosures must be ventilated to maintain the hydrogen concentration below the 4%_{vol} safety limit. Adequate air ventilation must be provided to locations where the UPS and batteries are located.

For the dimensions of the UPS cabinets, see Figure 9.

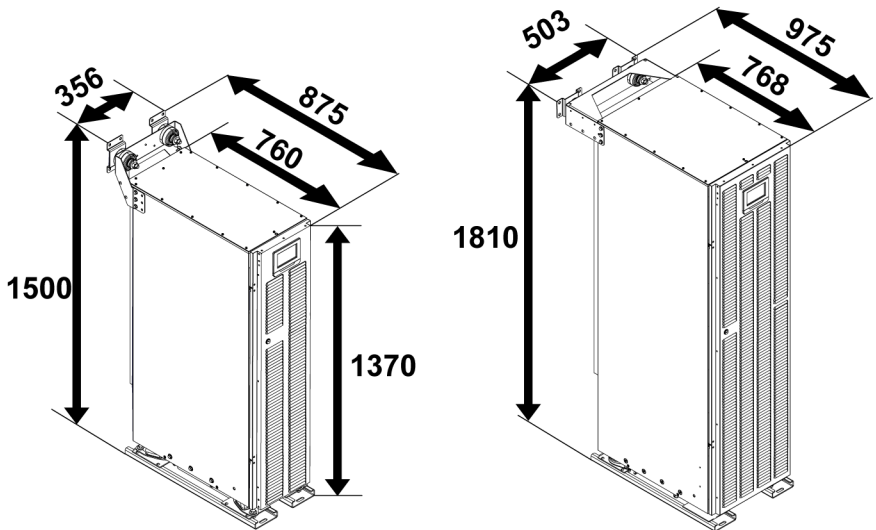


Figure 9. Dimensions of the 20 kW frame and the 40 kW frame

4.3.2 UPS system power wiring preparations



Note: If you install a maintenance bypass, provide one of the following:

- a minimum of 2 separate feeds with upstream feeder breakers
- a single feed with 2 upstream feeder breakers: one for the UPS or rectifier input breaker and one for the maintenance bypass input.

Do not use a single feed or a single feeder breaker to supply

- the maintenance bypass and the UPS, or

- the maintenance bypass and the rectifier input breaker.

If a bypass input breaker is installed in the maintenance bypass and a single-feed UPS is being installed, a single feed to the maintenance bypass is acceptable for supplying both the UPS and the bypass.

An additional single feed kit is available as an option.

When you plan and do the installation, read and understand the following notes:

- Refer to the national and local electrical codes for acceptable external wiring practices.
- To allow for future kVA upgrades (software and/or hardware), think about the use of conductors that are sized for the full bypass rating of the UPS.
- Designated personnel must give the material and labor for external wiring requirements.
- For external wiring, use copper cable rated for 70 °C at minimum. See the appropriate information in Table 9. Cable sizes are based on using the specified breakers.
- If the cables are run in an ambient temperature greater than 30 °C, higher temperature cable and/or larger size cable can be necessary.
- The bypass feed into this equipment uses four cables. The rectifier feed into this equipment uses three or four cables. The phases must be symmetrical about ground (from a Wye source) for proper equipment operation.
- If the load requires a neutral, give a bypass source neutral. If the load does not require a neutral and there is no neutral conductor connected at the bypass input, you must install a neutral to source star point.
- You must incorporate a readily accessible disconnect device in all fixed input wiring.

WARNING



Do not disconnect the bypass neutral if you do not disconnect the bypass phases at the same time.

Table 9: Minimum recommended multi-core cable and fuse sizes for rectifier and bypass input and UPS output cables

		UPS rating [kW]					
		8	10	15	20	30	40
208 Vac	Phase cable [mm ²]	6	10	16	25	50	70
	PE cable [mm ²]	6	10	16	16	25	35
	Rectifier and bypass fuse [A]	32	40	63	80	125	160

		UPS rating [kW]					
		8	10	15	20	30	40
230 Vac	Phase cable [mm ²]	6	10	16	25	35	50
	PE cable [mm ²]	6	10	16	16	16	25
	Rectifier and bypass fuse [A]	32	40	50	80	100	125
380 Vac	Phase cable [mm ²]	2.5	4	6	10	16	25
	PE cable [mm ²]	2.5	4	6	10	16	16
	Rectifier and bypass fuse [A]	20	25	32	40	63	80
400 Vac	Phase cable [mm ²]	2.5	4	6	10	16	25
	PE cable [mm ²]	2.5	4	6	10	16	16
	Rectifier and bypass fuse [A]	20	25	32	40	63	80
415 Vac	Phase cable [mm ²]	2.5	4	6	10	16	25
	PE cable [mm ²]	2.5	4	6	10	16	16
	Rectifier and bypass fuse [A]	16	20	32	40	63	80
440 Vac	Phase cable [mm ²]	2.5	4	6	10	16	25
	PE cable [mm ²]	2.5	4	6	10	16	16
	Rectifier and bypass fuse [A]	16	20	32	40	50	63
480 Vac	Phase cable [mm ²]	2.5	2.5	4	6	16	25
	PE cable [mm ²]	2.5	2.5	4	6	16	16
	Rectifier and bypass fuse [A]	16	20	25	32	50	63
690 Vac	Phase cable [mm ²]	2.5	2.5	2.5	4	6	10
	PE cable [mm ²]	2.5	2.5	2.5	4	6	10
	Rectifier and bypass fuse [A]	10	16	20	25	32	50
Maximum conductor cross section		20 kW frame: solid wire 50 mm ² , stranded wire with ferrule: 35 mm ² 40 kW frame: solid wire: 95 mm ² , stranded wire with ferrule: 70 mm ² Use ferrule with stranded wire.					

**Note:**

Power upgrading of the UPS is possible only if the sizing of external cables is sufficient. Alternatively, external cabling must be upgraded as well. The type of the fuses is gG.

Cable sizing is based on IEC 60364-5-52 and IEC 60364-5-54. Sizing is for installation method C (wall installation) with max conductor temperature: 70°C, ambient temperature: 30°C. Non-halogenated XLPE insulated cables (90°C), as an example, can be used for marine applications.

If you use aluminium cables, Eaton product support gives you sizing recommendations.

CAUTION



Make sure that prospective short-circuit current resulting at the input terminals of the UPS is equal or less than conditional short-circuit current declared on the type plate of the UPS.

Table 10: Minimum recommended cable and fuse sizes for external battery bank

UPS rating (kW)	8	10	15	20	30	40
Pos. & neg. line [mm ²]*	1*16	1*16	1*16	1*16	1*35	1*35
Battery fuse [A]	63	63	63	63	160	160
PE cable [mm ²]	1*16	1*16	1*16	1*16	1*16	1*16
Maximum conductor cross section	20 kW frame and 40 kW frame with separate battery: solid wire: 25 mm ² , stranded wire with ferrule: 16 mm ² 40 kW frame with common battery: solid wire: 90 mm ² , stranded wire with ferrule: 70 mm ²					
* Minimum recommended						



Note: UPS power upgrading is possible only if the sizing of the external cables is sufficient. Alternatively, the external cabling must be upgraded as well. Fuses are of the type gG.

Cable sizing is based on the standard IEC 60364-5-52 table B.52.2 and IEC 60364-5-54 table B.54.2. Sizing is for 70 °C rated copper cables.

When you connect external batteries to the UPS, Eaton recommends that you use the following NZM series molded case circuit breakers:

	Type	Article No	Nominal battery voltage	12V VRLA Blocks
With 93PS 8–20 kW	NZM1–A63	259083 (P-122000209)	336–432 V	28–36
	NZMH2–A63	259097	444–480 V	37–40
With 93PS 30–40 kW	NZM1–A160	281234 (P-122000199)	336–432 V	28–36
	NZMN2-A160	259092	444–480 V	37–40



Note: Contact your Eaton sales representative for more information about the circuit breakers, or if you need help choosing the right model for your UPS system.

Use this 24 V shunt release with early-make auxiliary contact together with the above circuit breakers:

Type	Article No
NZM1-XAHIVL24AC/DC	259792 (P-152001062)

Table 11: Rated and maximum currents for rated power and voltage

Rated power [kW]	Rated voltage [V]	Rectifier input		UPS output / bypass		Battery	
		Rated current [A]	Maximum current [A]	Rated current [A]	Maximum current [A]	Rated current [A]	Maximum current [A]
8	380	13	15	12	18	22	26
	400	12	14	12	17	22	26
	415	12	14	11	16	22	26
10	380	16	19	15	22	27	33
	400	15	18	15	21	27	33
	415	15	17	14	20	27	33
15	380	24	28	23	34	41	49
	400	23	27	22	32	41	49
	415	22	26	21	31	41	49
20	380	32	37	31	45	55	66
	400	30	36	29	42	55	66
	415	29	34	28	41	55	66
30	380	48	56	46	67	82	98
	400	45	53	44	64	82	98
	415	44	51	43	61	82	98
40	380	64	75	62	89	110	131
	400	60	71	59	85	110	131
	415	58	69	57	82	110	131

Notes:

1. Maximum rectifier current calculated at the -15% voltage tolerance and 102% continuous overload.
2. Maximum output/bypass current calculated at continuous 125% overload and at -15% voltage tolerance.
3. Maximum battery current calculated at rated load and 1.67 V cell voltage for the default 32 block string length.

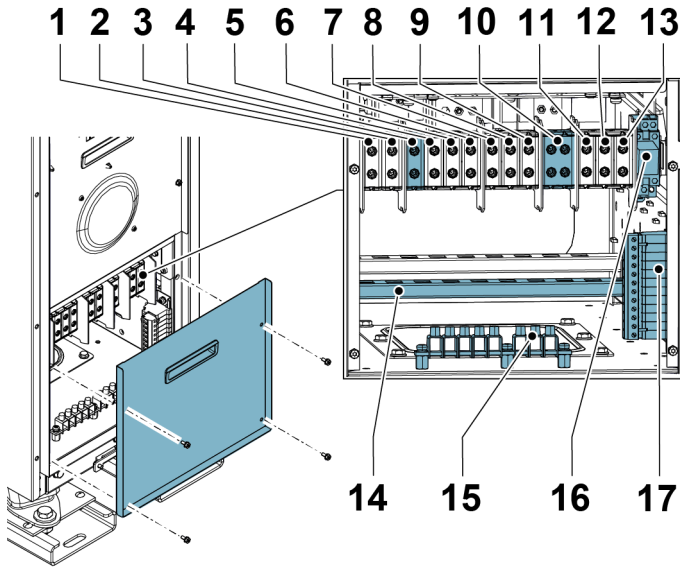


Figure 10. Power cable terminals in the 20 kW frame

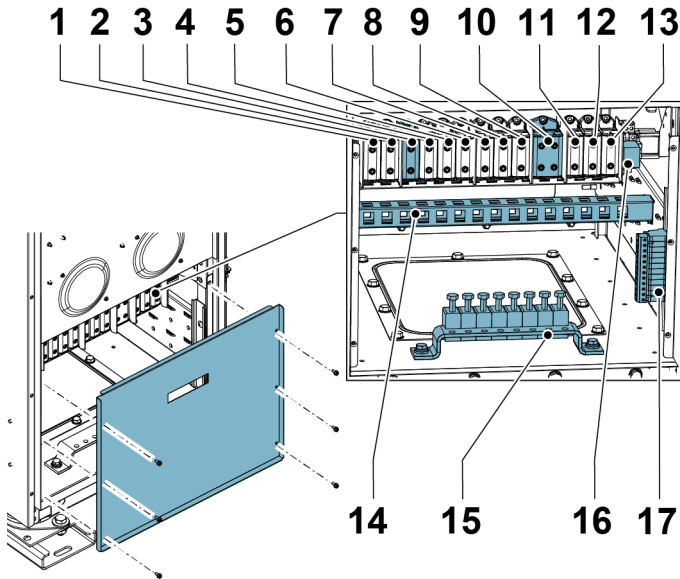


Figure 11. Power cable terminals in the 40 kW frame

- | | | | |
|----------|---------------------------------|-----------|--------------------------------------|
| 1 | <i>External battery cable +</i> | 10 | <i>Bypass and rectifier input, N</i> |
| 2 | <i>External battery cable -</i> | 11 | <i>Rectifier input, L1</i> |
| 3 | <i>UPS output, N</i> | 12 | <i>Rectifier input, L2</i> |
| 4 | <i>UPS output, L1</i> | 13 | <i>Rectifier input, L3</i> |
| 5 | <i>UPS output, L2</i> | 14 | <i>Movable cable support c-rail</i> |
| 6 | <i>UPS output, L3</i> | 15 | <i>PE connections</i> |
| 7 | <i>Bypass input, L1</i> | 16 | <i>24 V EPO interface</i> |
| 8 | <i>Bypass input, L2</i> | 17 | <i>Customer signal interface</i> |
| 9 | <i>Bypass input, L3</i> | | |

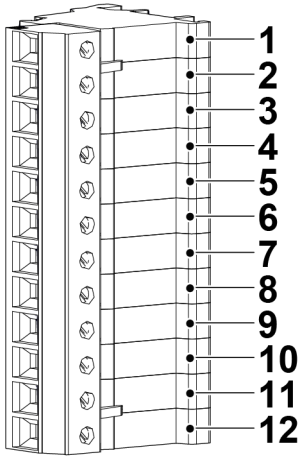


Figure 12. Customer signal interface

1	+24 V	7	IM_AUX_RTN
2	TRIP	8	IM_AUX_NO
3	DET	9	IM_AUX_NC
4	GND	10	Empty
5	EPO_24V	11	Empty
6	EPO_24V_RTN	12	Empty



Note: External overcurrent protection is not provided by this product, but is required by codes. Refer to Table 9 for wiring requirements. If a lockable output disconnect is required, it must be supplied by the user.

Table 12: UPS power cable terminal torques

UPS frame	Function	Tightening torque
20 kW	X11, X12, X13: L1, L2, L3, N	12 Nm
	X14: Battery +/-	12 Nm
	PE (ground)	3 Nm
40 kW	X11, X12, X13: L1, L2, L3, N	14 Nm
	X14: Battery +/-	14 Nm
	PE (ground)	10 Nm

CAUTION

To reduce the risk of a fire, connect only to a circuit that is provided with maximum input circuit breaker current ratings from Table 11 in accordance with the national and local installation rules.

The line-to-line unbalanced output capability of the UPS is limited only by the full load per phase current values for AC output to critical load shown in Table 11. The recommended line-to-line load unbalance is 50% or less.

Source protection for the AC input to bypass must suit the characteristics of the load and take into account effects such as inrush or starting current.

Bypass input and output overcurrent protection and bypass, output and accessory disconnect switches must be provided by the user.

4.4 Unpacking and unloading the UPS

Before you start to unpack and unload the UPS, look at the TipNTell indicator on the package surface. When you have unpacked and unloaded the UPS, look at the DropNTell indicator on the back of the UPS. If the equipment has been correctly transported in the upright position, the indicators should be intact. If the TipNTell indicator arrow has turned all blue or the arrow head(s) of the DropNTell are black, contact the appropriate parties to report inappropriate transportation.

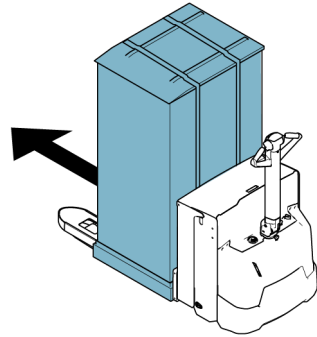
WARNING

The UPS cabinet is heavy. If the unpacking instructions are not closely obeyed, the cabinet can tip over and cause serious injury.

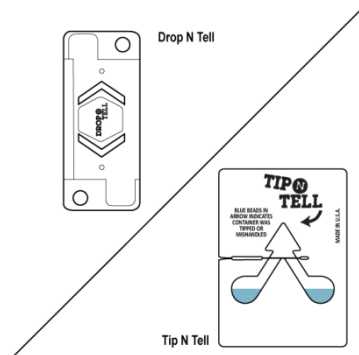
Do not tilt the UPS cabinet more than 10 degrees from the vertical or the cabinet may tip over.

For transportation purposes, the UPS cabinet is bolted onto a wooden pallet. To remove the pallet, do this:

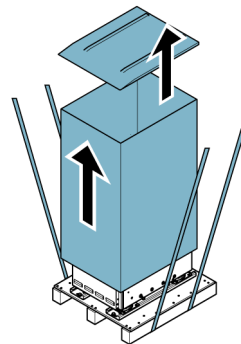
1. Before you unload the cabinet from the pallet, use a forklift or other material handling equipment to move the cabinet to the installation area. Insert the forks of the forklift between the skids on the bottom of the unit.



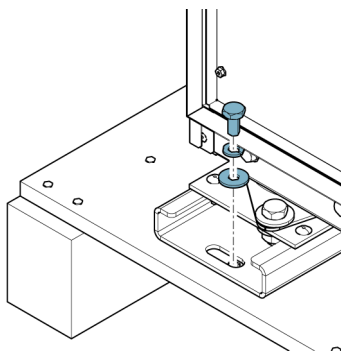
2. Make a visual inspection and examine that there are no signs of shipping damages. Examine the indicators. See the instructions next to the indicators on the package.



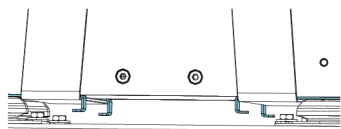
3. Open the UPS package.



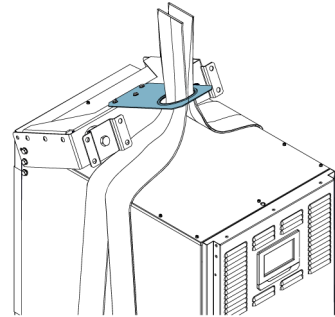
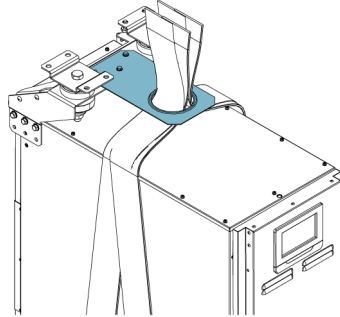
4. Remove 4 screws and washers that fasten the cabinet to the transportation pallet



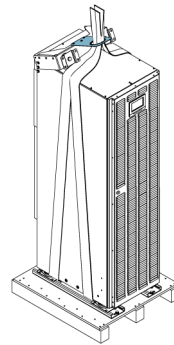
5. Attach the lifting slings using the sling guides on the bottom of the cabinet.



6. Use the lifting plate on top of the cabinet. Put the lifting slings through the hole in the plate.

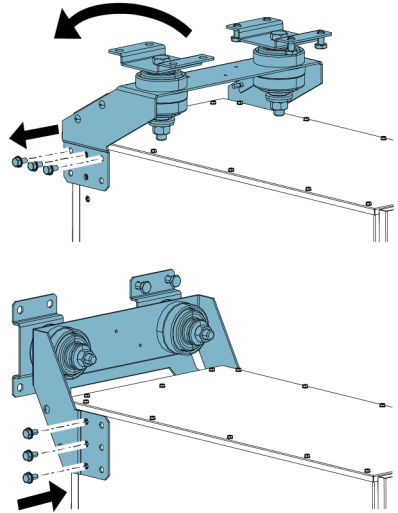


7. Lift the UPS carefully from the pallet
When you lift the UPS from the bottom with lifting slings, support the cabinet from the sides during lifting to avoid cabinet tipping and causing serious injury.

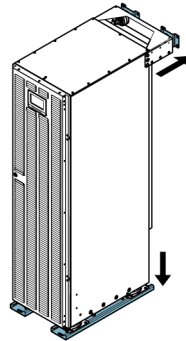


8. Carefully lower the UPS to its installation location.
9. Remove all lifting equipment including the lifting plate.

10. Remove the screws and put the rear spoiler into its correct position. Connect with the screws.



11. Fix the vibration dampers to the floor and the wall behind the cabinet with appropriate steel hardware or by welding.



5 UPS system installation

The operator has to supply the wiring to connect the UPS to the local power source. Only a locally qualified electrician can install the UPS. The electrical installation procedure is described in the following section.

Only an authorized Eaton Customer Service Engineer or other qualified service personnel authorized by Eaton can do the installation inspection and the initial start-up of the UPS. Only an authorized Eaton Customer Service Engineer or other qualified service personnel authorized by Eaton can install an additional battery cabinet.



CAUTION

To avoid physical injury or death, or damage to the UPS or the load equipment, obey these instructions during the UPS system installation.



CAUTION

In case of condensed moisture inside the UPS cabinet, dry the cabinet with a blower before you start up the system.

5.1 Steps to install the UPS

Power and control wiring are routed through the rear of the cabinet with connections made to easily accessible terminals, see Figure 13.

To install and connect the power cabling of the external battery to the UPS, see Section 5.2.

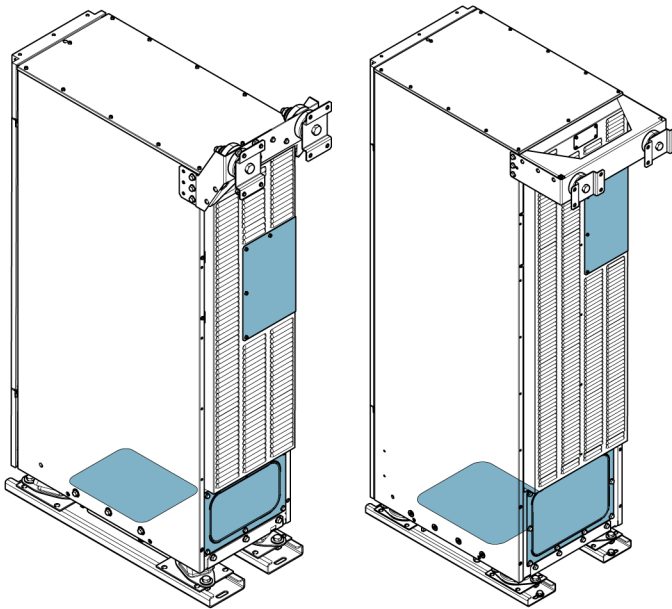
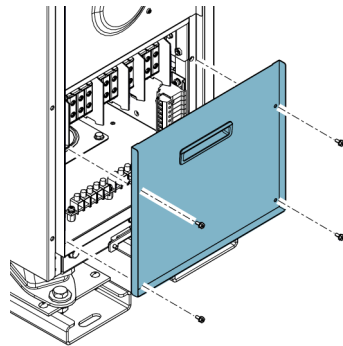
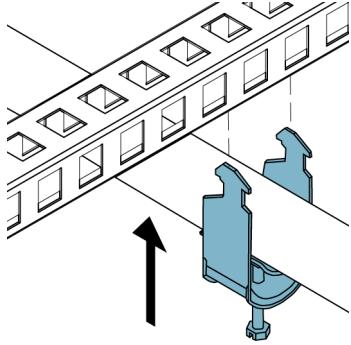
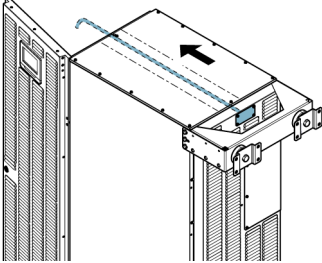


Figure 13. Gland plate locations in the 20 kW and 40 kW frames

1. To gain access to the terminal blocks, remove the screws securing the dead-front and gland plate. See Figure 13.



2. Install suitable cable glands into the gland plates.
3. Route the cables through the glands.

<p>4. Secure the cables with cable clamps to the cable support c-rail.</p>	
<p>5. Connect the cables to the respective terminal blocks, see Figures 10 and 11.</p>	
<p>6. Route the communication cables through the oval hole at the top.</p>	
<p>7. Connect the communication cables to the respective terminals and peripherals. For detailed information, see Figures 11 and 22, and Sections 5.4 and 5.6.</p>	

5.2 Battery system installation

DANGER



The batteries are designed to deliver a large amount of energy and an incorrect connection can lead to a short circuit and cause serious injuries to the personnel or damages to the equipment. In order to avoid damages to the equipment or injuries to personnel, only commissioning personnel can do the connection of these batteries.

If you install a customer-supplied battery system, install the battery system according to the battery and battery system manufacturer's instructions and all the applicable national codes and regulations. Only qualified personnel can

install the battery system. Battery cables must be protected against current and thermal overload, that is, the battery system must include proper fuses or breaker with protection function. Ground the external battery cabinet to the UPS.

The default battery settings of the UPS are for 12 V VRLA batteries. If you need to use any other type of batteries, contact your Eaton representative. For the battery specification, see Section [9.5](#).

5.2.1 Battery trip wiring

The battery breaker is a crucial part of the external battery cabinet or rack and must be placed in it. With the external battery breaker, signal cabling is important.

The battery breaker can be tripped (switched off) by energizing its shunt trip coil. The shunt trip coils of the external battery breaker are energized (controlled) through the X15:1-4 connector. The default voltage of the shunt trip coil is 24 Vdc.

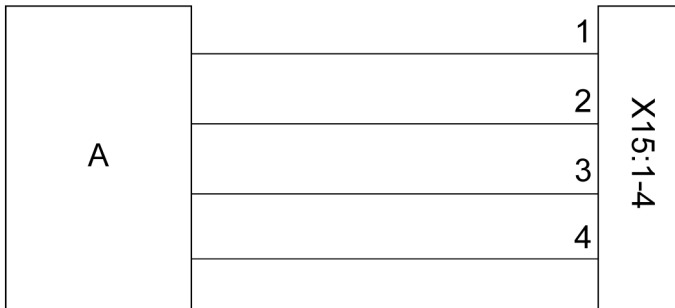


Figure 14. Battery trip wiring

- | | | | |
|----------|---------------------------------|----------|----------------------------------|
| A | <i>External battery breaker</i> | 3 | <i>Pin 3, AUX contact</i> |
| 1 | <i>Pin 1, shunt trip coil +</i> | 4 | <i>Pin 4, AUX contact return</i> |
| 2 | <i>Pin 2, shunt trip coil -</i> | | |

5.3 Installing UPS external battery cabinet and battery power cabling

For the product line, there are two different battery cabinets: EBC-I and EBC-J. The 8-40 kW UPSs use 32 battery blocks per string.



Note: Do not connect battery strings with different battery quantity and voltage in parallel.

Power and control wiring for the EBC-I and EBC-J cabinets are supplied with the cabinets. The battery cabinet can be located freely of the UPS cabinet. All the wiring goes through the back wall of the UPS cabinet.

For instructions on how to install the external battery cabinet and battery power cabling, see the instruction manual provided with the external battery cabinet. Earth the external battery cabinet / customer-supplied battery system to the PE terminal 16 shown in Figure 10 and Figure 11.



Note: If batteries are wired outside the cabinets, follow the installation instructions given in Section 4.3.2. See Table 9 for the recommended cable and fuse sizes.

5.4 Installing a remote EPO switch

A remote EPO switch can be used in case of an emergency to shut down the UPS and remove power to the critical load from a location away from where the UPS is installed.

EPO is connected to the UPS's top front panel, on connector EPO. Figure 15 shows the NO and NC connections of the EPO switch.

EPO connector (front view):

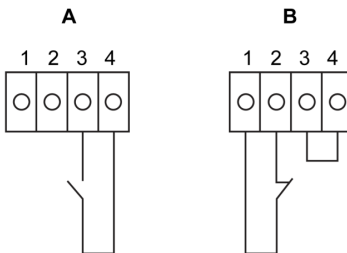


Figure 15. Connections of the EPO switch

A Normally open

B Normally closed

Table 13: Remote EPO wire terminations

From remote EPO switch	To user interface terminal block EPO in UPS cabinet	Remarks
NO	3-4	
NC	1-2	Wire jumper between 3-4 must be installed for proper functions

5.5 Installing EPO 24 V input (option)

The EPO 24 V input can be used to activate the emergency power off procedure by applying 24 V power. The input is to a relay coil, which is separated from other circuits.

The EPO 24 V input is connected to the signal interface terminal X15. The +24 V is connected to X15:5 and the return is connected to X15:6.

5.6 Installing interface connections

The UPS contains a total of 5 signal input connectors for operators which can be used for giving remote control commands to the UPS. User interface connector TB1 can be used for these purposes. Each input is a dry relay contact input and requires two-wire signaling. None of the inputs are pre-programmed but need to be separately programmed by qualified service personnel.

When using an external battery system (either the original battery cabinet or a customer-sourced battery cabinet/rack), external signaling wiring is recommended to be connected.

One general alarm relay output is also on the front panel. This output is either normally open (NO) or normally closed (NC). The polarity selection is made with a wiring connection. By default, the general alarm relay activates when a system alarm is active, that is, any *ALARM* condition is active in the system. Alternatively, it can be activated with any particular event, but this must be programmed separately by qualified service personnel. The alarm relay is designed for signal level (ELV or SELV) voltages only, not for utility use. For higher signaling circuit voltage requirements, please use an industrial relay adapter in the MiniSlot.

5.6.1 Installing customer input signals interface

These inputs are located behind the UPS door, in the top section of the UPS. See Figure 27 for the connector locations.

Tie points with strain relief for the communication cables are located on the right and left side of the cable conduit.

Signal inputs can be configured to different functions. Normally these functions are either informative (for example, “On Generator”) or functional (for example, a remote “Go to bypass” command).

5.6.2 Insulation monitor signals (option)

The insulation monitor is installed to one of the UPS signal inputs and is metering insulation resistance between the UPS output and optional internal output isolation transformers. Additionally, an auxiliary contact is available for

use outside the UPS equipment. The insulation monitor contact is available in signal terminal X10, with the following pins:

- X15:7 Return
- X15:8 NO
- X15:9 NC

This interface is separated from the UPS signal input, but it should maintain SELV characteristic, as it is not properly isolated from the UPS signal input. The maximum contact rating is 24 Vdc or 30 VAC. If utility level signaling is required, it can be arranged through an industrial relay card. To accomplish this, contact your local service representative.

5.6.3 Battery breaker wiring interface

When using the original accessory battery cabinet from the manufacturer, the battery breaker interface wiring is provided with the cabinet. Connecting it requires only routing the wires from the cabinet to terminal X15:1-4. In 8-20 kW UPS, the connector for the battery circuit breaker monitoring signal and battery circuit breaker trip signal is on the left side of the power cabling, see Figure 14.

When using a third-party battery system, the breaker must be equipped with auxiliary signal and should have a 24 V shunt trip for remote opening of the breaker, when needed.

See Section 5.2.1 for installation instructions.

5.6.4 Relay output interface connections

The general alarm relay is a dry relay signal output. The relay can be used for informing the operators about UPS alarm conditions, for example through a building management system. By default, the relay is configured to activate when the UPS general alarm is active, that is, any event when the *ALARM* status is active. The relay can also be configured to activate by some other event, but this needs to be done by authorized service personnel.

Relay signal wiring can be installed only through the signal cabling canal, from back to front, in the top section of the UPS.

Additional relay outputs are available with mini-slot cards. Relay outputs can be configured to be activated by various events. Configuration can be done by an authorized Eaton Customer Service Engineer or by other qualified service personnel authorized by Eaton.

5.6.5 Industrial Relay Card interface connections

Relays K1 through K5 are identical in function. Each output contact function can be assigned by the user. The UPS information may also be configurable.

To install the INDRELAY-MS:

1. Make sure that the ancillary equipment system is turned off and all the power sources are removed. Refer to the appropriate operation manual of any ancillary equipment for shutdown instructions.
2. Install wiring from the IRC to the monitoring equipment using appropriate conduits through the cable exit opening in the IRC.
3. Connect wiring between the IRC terminal blocks and the monitoring equipment using terminations. Connect one wire to COM (Common) and another to either NC or NO to select the Normally Open or Normally Closed option.
4. Install the INDRELAY-MS into an open MiniSlot communication bay in the UPS cabinet.

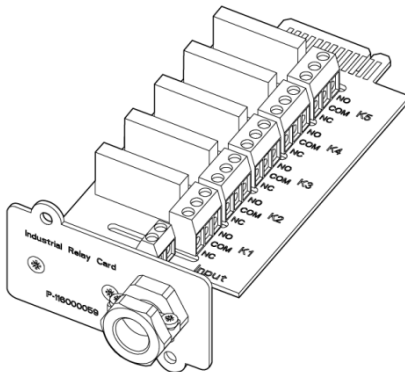


Figure 16. Industrial Relay Card INDRELAY-MS

5.6.6 MiniSlot interface connections

For MiniSlot accessories and communication devices selection, see Chapter 6. For installation and setup of a MiniSlot card, please contact your Eaton representative.

To install wiring to the connections:

1. If not already installed, install the LAN drops.
2. Open the front door of the UPS.
3. To remove the MiniSlot cover plate, remove the 2 screws securing the plate.
4. To install the MiniSlot communication device, push it all the way in.
5. Secure the MiniSlot communication device with 2 screws.
6. Route and install the LAN and other cables to the appropriate MiniSlot cards. The cable route is through the signal cable canal in the top section of the UPS.
7. For operator instructions, refer to the manual supplied with the MiniSlot card.

- When all the wiring is completed, close the front door and secure it with the latch.

5.6.7 Installing signal interface connections in a parallel system

The installation of the signal interface connections in a parallel system is done by following the aforementioned instructions. Signal inputs can be paralleled between the units, that is, the same contact can be used for several units' signal input signaling. This concerns also the EPO signal.

5.7 Wiring parallel UPS systems

The outputs of multiple UPS systems can be connected in parallel. Up to 4 units can be paralleled. The UPS static bypass power rating needs to be identical among all the paralleled units. However, paralleled UPS cabinets can be housed with different number of UPM power modules.

The outputs are paralleled to increase the load capacity of the power system and for redundancy. The system is paralleled for (N+1) redundancy as long as there is always one or more UPS online than required to support the load. The system is paralleled for capacity if all UPSs in a system are required to support the load.

Communication between the UPSs is required for system metering and mode control. The system level communication and control are accomplished using a Controller Area Network (CAN). A pull-chain signal in each UPS, connected to the other UPSs in parallel and tied to the bypass status relay in each UPS, is used for a secondary communication path. This arrangement ensures bypass control even if the CAN bus is lost.

WARNING



Do not connect units equipped with an internal Maintenance Bypass Switch (MBS) or internal transformers in parallel.

5.7.1 Power wiring overview

See Section [4.3.2](#) for the recommended cable and external fuse sizes and installation practices.

Input feed

The input feed is defined as the power source connected to the UPS rectifier. The feed to all UPS's inputs must be derived from the same source.

Bypass feed

The bypass feed is defined as the power source connected to the UPS bypass. The feed to all UPS's bypass must be derived from the same source. The

shortest length of power wire from the source to the UPS must be a minimum of 95% of the length of the longest wire.

Output

The neutrals of all the UPSs must be connected. The shortest length of wire from the source to the UPS must be a minimum of 95% of the length of the longest wire. The measurement is with respect to where the UPS's outputs are tied.

Dual source

The input feed and bypass feed may be separate sources. The sources must share a common neutral.

Battery connection

A separate battery shall be connected to each UPS, and the battery capacity for each UPS must be identical. A common battery for all UPSs is not supported.

MOBs

Module Output Breakers (MOBs) allow the output of an UPS to be disconnected from other UPSs and the system load for maintenance and service. Design considerations assume that each UPS has a Module Output Breaker (MOB). The breaker should also disconnect the neutral for improved safety during maintenance.

The MOB must have a Form "C" auxiliary contact. The N.C contact is connected to the corresponding UPS's input used for signal input. The N.O. contact is used to disconnect the bypass pull-chain when the MOB is open. Figure 17 shows the principles of paralleled UPS systems including MOBs and outputs from UPSs.

MOB override

Users without MOBs installed can simply leave the MOB signal input disabled. The user should be aware that systems without MOB have limited maintenance capability.

Parallel system cabling

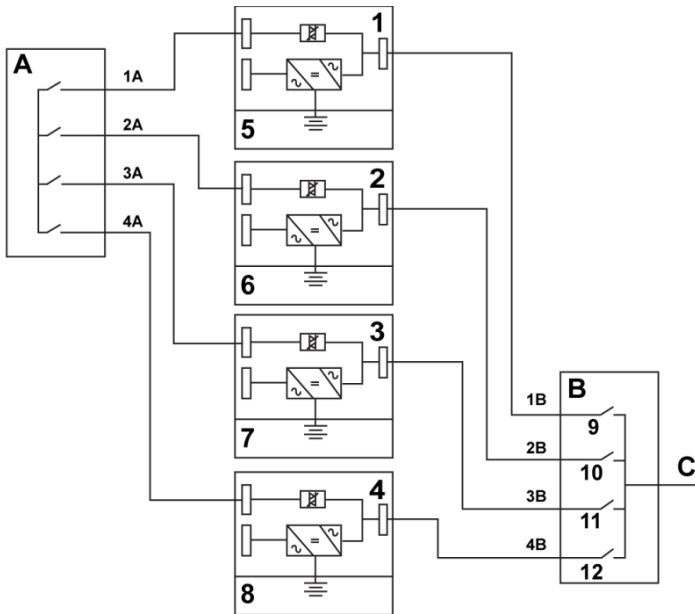


Figure 17. Principle of paralleled UPS systems

A	Bypass inputs to UPSs	1	UPS 1	7	Battery
B	Outputs from UPSs	2	UPS 2	8	Battery
C	Load	3	UPS 3	9	MOB1
		4	UPS 4	10	MOB2
		5	Battery	11	MOB3
		6	Battery	12	MOB4

The required parallel system wiring length must be equal to ensure approximately equal current sharing when in the bypass mode.

For proper operation, the following must be true: $1A+1B=2A+2B=3A+3B=4A+4B$.

Any differences in wire length result in decreased capacity and improper operation of the UPS system while in the bypass mode.

5.7.2 Control signals overview

2 controls signals (External CAN Network, Bypass Pull-Chain) are required for external paralleling. Both of these control signals are fault-tolerant and alarmed when disconnected.

External CAN (ECAN)

ECAN provides means for communication between the UPS's in a parallel system. When this network fails, the system continues to share load and protect the load.

Bypass Pull-Chain

Bypass Pull-Chain is an open collector signal that goes low when the bypass static switch of any UPS is online. When External CAN (ECAN) is down, the pull-chain is low and the UPS is online, the UPS locks to and transfers to the bypass mode. Service can manually short this signal in some rare failure modes to force a system transfer to bypass.

Signal Inputs Actions

Each UPS has a maximum of 7 signal inputs, 5 native and one in each MiniSlot when using a suitable connectivity device. These inputs can be configured with action items. The following action items affect all the UPSs in the system. When an action item is active on a UPS and the MOB is closed, the action item is transmitted on the ECAN to all the UPSs. All the UPSs react in the same manner as if the action item was active on that UPS.

Wiring the EPO switch in parallel

It is recommended to use separate EPO circuits for each parallel unit.

5.7.3 Installing bypass control wiring

1. During the installation, obey all the safety instructions given in this document.
2. Terminal blocks TB6, TB7 and TB8 are for external parallel control signals (see Figure 21 and Figure 22).
3. The Phoenix Contact FRONT-MSTB 2,5/2-STF-5,08 and 2,6/4-SFT-5,08 plug components are used for cable wiring termination.

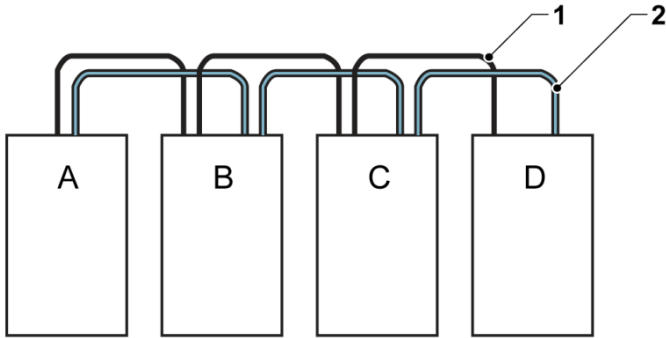


Figure 18. Simplified CAN and Pull-Chain wiring for parallel UPS system

A	UPS 1	1	CAN
B	UPS 2	2	Pull chain
C	UPS 3 (if installed)		
D	UPS 4 (if installed)		



Note: This drawing is for distributed bypass wiring purposes and it is not a floor layout plan. UPSs can be placed in any physical order.

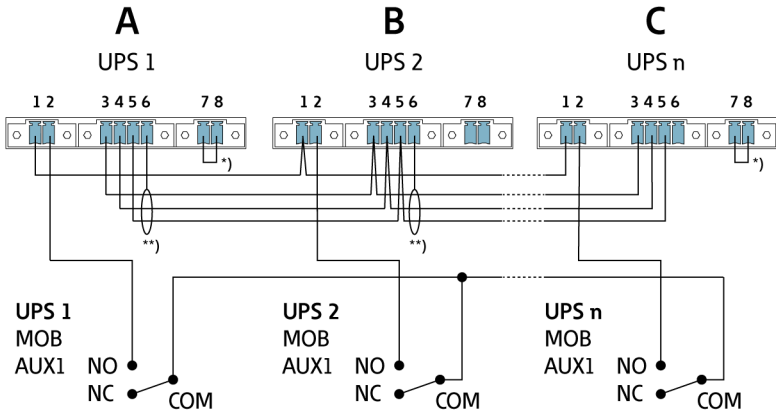


Figure 19. CAN and Pull-Chain wiring for parallel UPS with MOB's

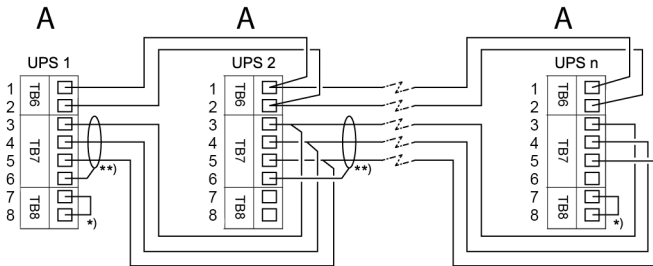


Figure 20. CAN and Pull-Chain wiring for parallel UPS without MOB's

- | | |
|---|---|
| A External parallel connectors TB6–8 | 6 TB7:1: Earth |
| 1 TB6:2: Pull chain | 7 TB8:1: CAN Termination 2 |
| 2 TB6:1: Pull chain RTN | 8 TB8:2: CAN Termination 1 |
| 3 TB7:4: CAN High | *) Terminate the first and last UPS with a jumper. |
| 4 TB7:3: CAN Low | **) Connect the shield on one end only. |
| 5 TB7:2: CAN GND | |



Note: NC and NO designations on MOB AUX contacts are defined with the breaker in the OFF (open) position. If the MOB contacts have pigtail leads, use the same wire gauge to connect to the UPS and use the correct crimp connections for the wire gauge. External CAN connections between the UPS cabinets require shielded twisted pair wire. Use twisted pair wiring between the UPS and MOB AUX contacts. Always confirm contact operation prior to wiring.

5.8 UPS system interface wiring preparation

Control wiring for features and options should be connected at the user interface terminal blocks located on top front of the UPS, behind the door.



Note: Do not connect relay contacts directly to the mains-related circuits. Reinforced insulation to the mains is required.

When you are planning and performing the installation, make sure you understand the following notes:

- All the interface wiring is provided by the operator.
- When installing internal interface wiring to MiniSlot terminals, route the wiring through the internal opening in the MiniSlot communication bay.
- All signal inputs or remote features require an isolated normally-open contact or switch (rated at 24 VDC, 20 mA minimum) connected between the alarm input and the common terminal. All control wiring and relay and switch contacts are supplied by the operator. Use twisted-pair wires for each alarm input and common.
- The signal inputs can be programmed to display the alarm's functional name.
- LAN drops for use with MiniSlot cards are provided by facility planners or the operator.
- The UPS Battery Aux and 24 VDC Shunt Trip signal wiring from the UPS must be connected to the DC source disconnect device. See Figure 14.
- Battery Aux and 24 VDC Shunt Trip wiring must be a minimum of 1.5 mm².
- The Remote EPO feature opens all switchgear in the UPS cabinet and isolates power from your critical load. Local electrical codes may also require tripping upstream protective devices to the UPS.
- The Remote EPO switch must be a dedicated switch that is not tied to any other circuits.
- If the normally-closed (NC) Remote EPO contact is used, a jumper wire must be connected between pins 1 and 2 on connector EPO.
- Remote EPO wiring should be a minimum of 0.75 mm² and a maximum of 2.5 mm².
- The distance between the Remote EPO and the UPS cannot exceed 150 meters.
- Alarm relay contacts have a maximum current rating of 5 A and a switched voltage rating of 30 VAC (RMS) and 30 VDC.
- Alarm relay wiring must be a minimum of 0.75 mm².

6 Communication interfaces

This section describes the communication features of the Eaton 93PS UPS.

CAUTION



All the communication interfaces are SELV circuits. When you connect to other equipment, make sure that you maintain this characteristic.

The UPS has the following communication interfaces:

1. MiniSlot 1
2. MiniSlot 2
3. USB device (connection to computer)
4. Communication cable conduit
5. Emergency Power Off (EPO)
6. Relay output
7. USB host (connection to accessories)
8. Signal inputs
9. RS-232 port for service

See Figure [21](#) and Figure [22](#) for the location of communication interfaces. The numbered parts are explained after the figures.

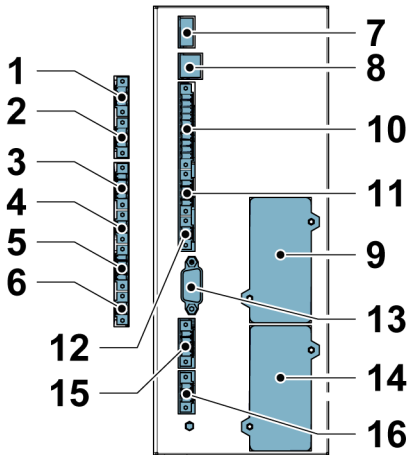


Figure 21. Communication interfaces in the UPS 20 kW frame

- | | | | |
|----------|---|-----------|-------------------------------|
| 1 | <i>TB11, not used</i> | 9 | <i>MiniSlot 1</i> |
| 2 | <i>TB10, not used</i> | 10 | <i>TB1, signal input 1–5</i> |
| 3 | <i>TB9, not used</i> | 11 | <i>TB2, not used</i> |
| 4 | <i>TB8, external CAN termination</i> | 12 | <i>TB3, not used</i> |
| 5 | <i>TB7, external CAN</i> | 13 | <i>Serial COM port RS-232</i> |
| 6 | <i>TB6, pull chain bus</i> | 14 | <i>MiniSlot 2</i> |
| 7 | <i>USB1, USB host (connection to accessories)</i> | 15 | <i>TB4, EPO</i> |
| 8 | <i>USB2, USB device (connection to computer)</i> | 16 | <i>TB5, relay output</i> |

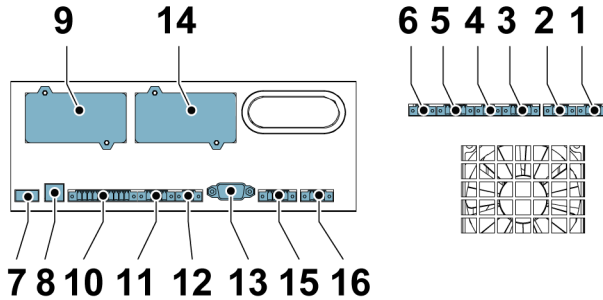


Figure 22. Communication interfaces in the UPS 40 kW frame

1	<i>TB11, not used</i>	9	<i>MiniSlot 1</i>
2	<i>TB10, not used</i>	10	<i>TB1, signal input 1–5</i>
3	<i>TB9, not used</i>	11	<i>TB2, not used</i>
4	<i>TB8, external CAN termination</i>	12	<i>TB3, not used</i>
5	<i>TB7, external CAN</i>	13	<i>Serial COM port RS-232</i>
6	<i>TB6, pull chain bus</i>	14	<i>MiniSlot 2</i>
7	<i>USB1, USB host (connection to accessories)</i>	15	<i>TB4, EPO</i>
8	<i>USB2, USB device (connection to computer)</i>	16	<i>TB5, relay output</i>

6.1 MiniSlot cards

The Eaton 93PS UPS has 2 MiniSlot communication bays. To install a MiniSlot card, follow the instructions in Section [5.6.6](#).

The UPS is compatible with the following MiniSlot cards:

- **Network Card-MS**
Provides remote monitoring through a Web browser interface, e-mail, and a network management system (NMS) using SNMP and connects to a twisted-pair Ethernet (10/100BaseT) network.



Figure 23. Network Card - MS

- **PX Gateway Card**
Provides remote monitoring through a Web browser interface, e-mail, and a network management system (NMS) using SNMP and connects to a twisted-pair Ethernet (10/100BaseT) network. The card also provides direct integration of UPS information (meters and status) to a Building Management System (BMS) using the Modbus RTU and TCP protocols as well as BACnet protocols.



Figure 24. PX Gateway Card

- **Industrial Relay Card-MS**
The MiniSlot Industrial Relay Card provides a way of connecting the 93PS to industrial and electrical monitoring systems. It also enables a wide range of control applications by allowing up to 250 volts and 6 Amperes through its 5 relay connections. By connecting wires to the corresponding places in its terminal blocks, you can choose Normally Open or Normally Closed setup for each output.
For information on how to configure Industrial Relay Card-MS, see Section [6.5](#).

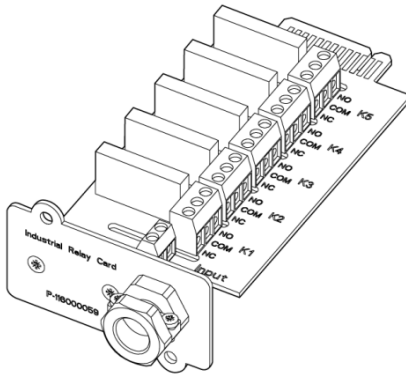


Figure 25. Industrial Relay Card-MS

6.2 Intelligent Power Software

Intelligent Power Software are productivity tools for UPS power management. These software solutions enhance the protection provided by a UPS by shutting down applications and operating systems, triggering disaster recovery procedures and migrating virtual machines in case of an extended power outage. They also help in reducing downtime and increasing the reliability of the UPS by alarming the operators of issues and monitoring vital meters. The software can also be used to view the usage characteristics of power equipment across the enterprise and use the data to optimize the use of the facilities.

Intelligent Power Software is web-based, which means that the information can be accessed through any device that has a web browser.

On one hand, Intelligent Power Manager (IPM) is a monitoring system that can concentrate the data and alarms of hundreds of UPS, ePDU and other devices into a single view. On the other hand, it provides a link to virtualization through management systems, such as VMware vCenter. This way an administrator gets a single pane of glass to manage both IT equipment and the supporting infrastructure. IPM provides the shutdown, migration, disaster recovery and load shedding features in virtualized environments.

Intelligent Power Protector (IPP) is a shutdown agent with basic monitoring and alarming capability. It provides automatic, graceful shutdown of computers and virtual machines or servers powered by an Eaton UPS during a power outage that lasts longer than your available battery runtime. Intelligent Power Protector can be remotely supervised and managed by the Intelligent Power Manager (IPM) application.

Intelligent Power Software is delivered on a CD with the UPS. Alternatively, you can download it from the Eaton web page. Some of the advanced features of IPM require a license, contact your Eaton representative for details.

6.3 Signal input monitoring

This standard feature lets you connect smoke detectors or over-temperature alarms to your signal inputs. The user interface terminals for external connections are located inside the UPS. Use twisted-pair wires for each alarm input and common.

The signal inputs can be programmed to display the alarm functional name.

6.4 General purpose relay contact

One general purpose relay contact is provided as a standard feature on the UPS. An alarm contact is also provided.

You can use a normally-closed or normally-open contact. If the state of the contact changes from the state you specify as normal, a signal is issued. You can connect this contact to equipment at your facility (such as a light or an alarm bell) to let you know when an alarm is active on the UPS. This feature is useful if the UPS is located in a remote area where the UPS horn may not be heard immediately.



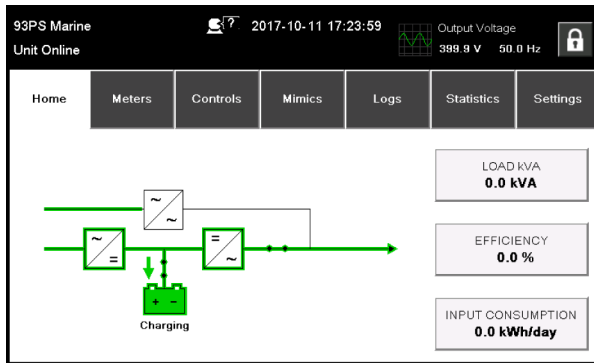
Note: Do not operate the contacts in excess of 30 VAC (RMS) and 30 VDC at 5 A maximum.

6.5 Configuring relays

93PS offers one native relay output. Additionally, each of the 2 MiniSlots can be equipped with a relay card, including 5 relays. The following instructions guide you through the relay configuration.

Currently the relay configuration can be done only using the display. The service tool does not yet have support for nodebit functions.

The maximum voltage of the relay is 30 V. Examine the voltage and current specifications of the other cards from the previous sections.



The process for relay configuration is as follows:

1. In the home screen of the display, click the lock icon in the top right corner to type in the service password.
2. In the sign in window, click the password field containing the 4 dots.

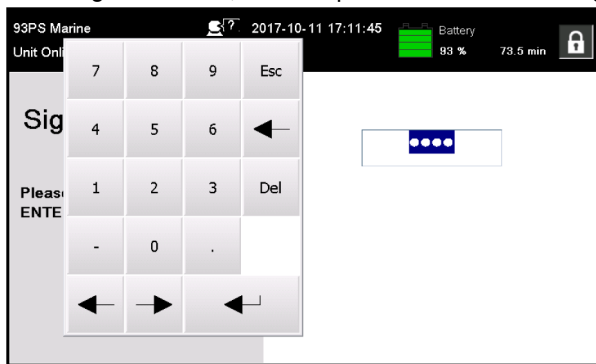



Figure 26. Sign in window with the password field

3. Enter the password 0101 and press .
4. Select **Continue**.
5. Select **Configuration** and then **Relays Outputs**.

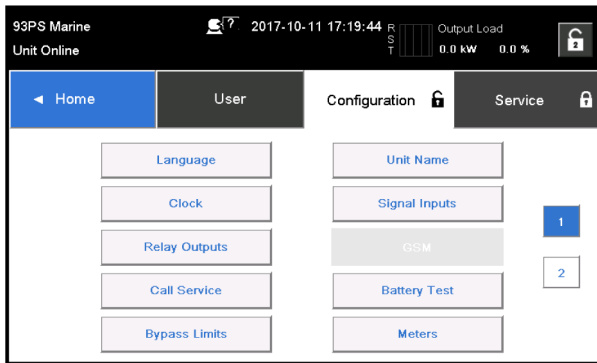


Figure 27. Selecting Relay Outputs in the Configurations screen

6. Select out of the following options:
 - Native (Alarm) relay
It is possible to set 8 different events for the native relay. If any of the set events occurs, the relay is activated
 - MiniSlot 1
 - MiniSlot 2

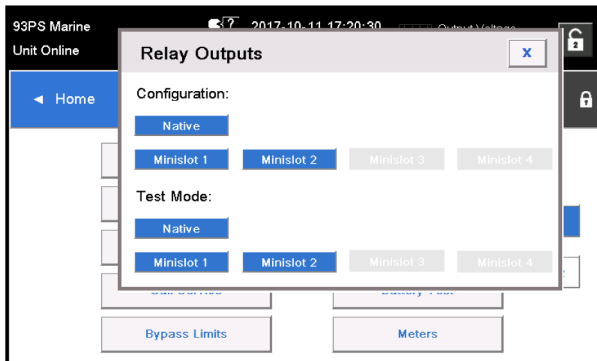


Figure 28. Options for relay outputs configuration

7. Enter the code(s) of the function(s) that you want to trigger the relay when they become active.
8. Press **OK** and **Save** to save the changes.

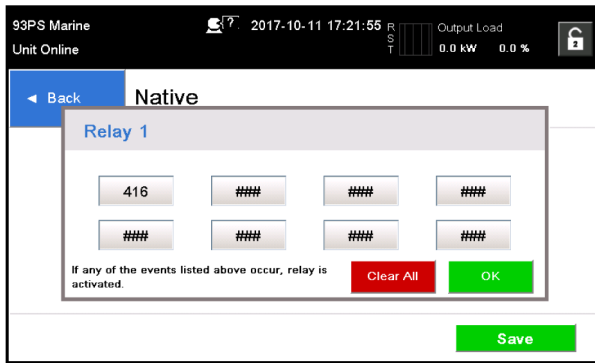


Figure 29. Entering the codes of the functions that will trigger the relay

9. If you selected one of the MiniSlots, the following default values are available:

- Relay 1: #262 On Line (LED is lit)
- Relay 2: #260 On Battery (LED is lit)
- Relay 3: #352 Alarm (LED is lit)
- Relay 4: #261 On Bypass (LED is lit)
- Relay 5: #15 Low Battery warning

Alternatively, you can configure the relays with any event you want.

10. You can test the relays by selecting any of the options in the test mode (see Figure 28).

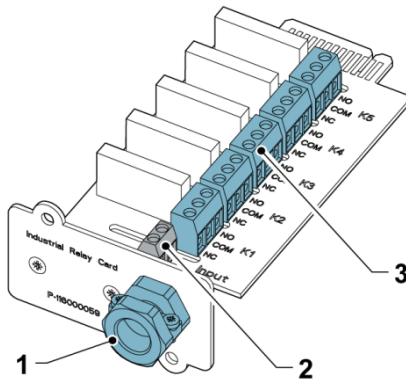


Figure 30. Relays

- 1 Cable exit opening for up to 12 mm ($\frac{1}{2}$ ") conduit
- 2 Signal input connector with voltage supply
- 3 K1 thru K5 terminal connections for relay contacts to operator's monitoring equipment

7 UPS operating instructions

This section describes how to operate the UPS.



CAUTION

Before you operate the UPS, make sure that all the installation tasks are completed and a preliminary startup has been performed by authorized service personnel. The preliminary startup verifies all the electrical interconnections to make sure that the installation was successful and the system operates properly.

Before you operate any of the controls, read these instructions and have a thorough understanding of the UPS operation.

The UPS is configured to operate with one of the following nominal voltages: 380, 400, or 415 VAC. Before you start to operate the UPS, confirm the UPS nominal voltage and frequency from the display by selecting **Settings > Information**. If the UPS need to be operated with another voltage or frequency, contact your closest Eaton office or Eaton authorized partner.



Note: The UPS is not a measuring device. All the displayed measurements are approximate values only.

7.1 UPS controls and indicators

7.1.1 Control panel

The control panel, located on the UPS front door, contains a color touch screen display. It is used to display the status of the UPS system and to control the operation of the UPS.

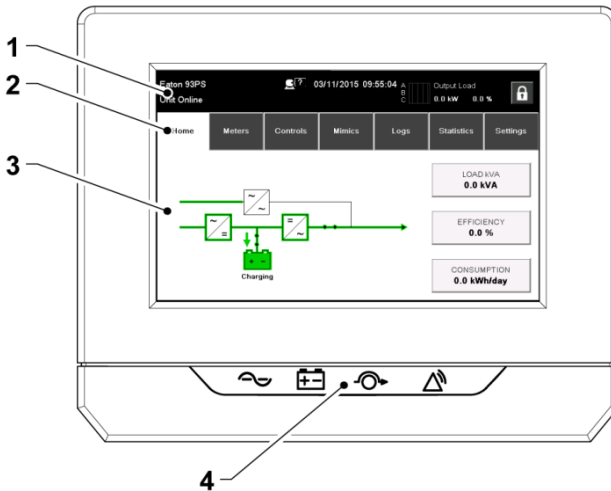


Figure 31. Parts of the display



The display consists of the following parts:



1	Status bar	The status bar displays the UPS name, state, current date and time, meters information, and a sign in/out button. It also shows any active alarms and warnings.
2	Main navigation	Select a screen by tapping on its name.
3	Content area	This is the main area for showing information on the UPS status and operations.
4	Status indicators	See Section 7.1.2 .

7.1.2 Status indicators

The four symbols below the display are status indicators. They are colored light emitting diode (LED) lamps, and they work in conjunction with the alarm horn to let you know the operating status of the UPS.

Table 14: Status indicators

Indicator	Status	Description
Green symbol for normal operation 	On	The UPS is operating normally and supplying power to the critical load.
	Off	The UPS is turned off.
Yellow symbol for battery mode 	On	The UPS is in the battery mode. Because the battery mode is a normal condition of the UPS, the green indicator for normal operation also remains illuminated.

Indicator	Status	Description
Yellow symbol for bypass mode 	On	The UPS is in the bypass mode. The critical load is supported by the bypass source. The green indicator for normal operation is not illuminated when the system is in the bypass mode.
Red symbol for active alarm 	On	The UPS has an active alarm and requires immediate attention. The screen shows the highest priority active alarms. All alarms are accompanied by an audible horn. To silence the horn, press any control panel button once. The alarm indicator may be illuminated along with other indicators.

7.1.3 System events

When the UPS system is running in the double conversion mode, it continually monitors itself and the incoming utility power. In the battery or bypass mode, the UPS can issue alarms to let you know exactly what event caused the change from the double conversion mode. System events on the UPS can be indicated by horns, lights, messages, or all three.

Select **Logs** in the home screen to look at any currently active events.

- **System event horn**
The system event horn beeps to alert the user that an event requiring attention is taking place.
- **System event indicators**
The status indicators on the UPS control panel and the event horn let you know when the UPS system is operating in any mode other than the double conversion mode. Only the green indicator for normal operation is visible during normal UPS system operation. The other indicators illuminate to indicate alarms or events. When an alarm occurs, first examine these indicators to see what type of event has taken place.
- **System event messages**
When a system event occurs, a message appears in the status bar of the display. This message is also written to the Active Events log. Some notices and alarms may be accompanied by an audible horn. To silence the horn, press any button once.

7.1.4 Menu structure of the 93PS UPS

The following table shows the menu structure of the 93PS UPS.

Table 15: Menu structure of the 93PS UPS

Main menu	Submenu	Functions
Home	-	An overview of the UPS operation, including information on load, efficiency and consumption.

Main menu	Submenu	Functions
Meters	Meters summary	A summary of the UPS or system meters.
	Input meters	Detailed information on UPS or system input meters.
	Bypass meters	Detailed information on UPS or system bypass meters.
	Output meters	Detailed information on UPS or system output meters. UPM Power
	Battery meters	Detailed information on UPS or system battery meters.

Main menu	Submenu	Functions
Controls	System controls	Go Online Go to bypass Turn Off Charger Load Off
	UPS controls	Run battery test Shut down UP
	Module controls	Start charger Run battery test Shut down module / Start module UPM 1: <ul style="list-style-type: none"> • Charger • Battery test • UPM status UPM 2: <ul style="list-style-type: none"> • Charger • Battery test • UPM status
	EAA controls	ESS: <ul style="list-style-type: none"> • Enable • Disable • Configure VMMS: <ul style="list-style-type: none"> • Enable • Disable • Configure Enable High Alert Clear status ABM: <ul style="list-style-type: none"> • Enable • Disable • Configure Clear Alarms Clear Logs

Main menu	Submenu	Functions
Mimics	UPS mimics	An overview of the UPS operation, including information on load, efficiency and consumption. If there is an error, an error indicator is displayed next to the affected part. Active events log can be opened by tapping the error indicator.
	UPS module map	Module map shows the status of each UPM.
	System overview	System overview shows the status and meters summary for each UPS.
	ESS	The ESS mimic screen shows the approximated consumption and energy savings of the ESS mode.
Logs	Active events	All active events are displayed.
	System log	A log of all system events.
	Service log	A detailed log of UPS operations.
	Change log	A log of all changed settings and their values.
Statistics: UPS, Battery	Statistics summary	A summary of UPS statistics
	Statistics details	Details are available by pressing on different statistics.
Settings	User Configuration Service	Configurable user settings. For details, see Section 7.1.4.1 .

7.1.4.1 User settings

The UPS has the following settings that are user-modifiable. In the Home screen, select **Settings**.

Table 16: User settings

Setting	Description
Information	Information on the UPS model, including part number and serial number.
About	Version information.

To modify the **Configuration** settings, you need to sign in.

Table 17: Configuration settings

Setting	Description
Language	Change the user interface language.
Unit Name	Change the unit name.
Clock	Change the date and time, change the clock format or enable/disable NTP clock setup.
GSM	GSM modem.
Call Service	Send automatic e-mail to the service center in case of a failure.

Setting	Description
Signal Input	Select signal input name and function or change contact polarity.
Relay Outputs	Configure the relay outputs.
Battery test	Change the power level and duration for battery test.
Bypass Limits	Change the bypass voltage or bypass frequency.
Screen Saver Time-out	Change the screen saver timeout.
Meters	Change the meters format.
Lamp Test	Enable the lamp test.
HMI backlight	Adjust the backlight brightness.
Control P/W level 1	Change the level 1 password, or remove the password on level 1. The default value is 1111.
Reset statistics	Reset all statistics.
Minimum required kVa	Change the minimum required kVa.

7.2 Signing in

If the level 1 password is enabled, you need to sign in.

1. Press the lock icon in the top right corner of the screen.
2. Type in your password and press **OK**.
You are signed in.
3. Press **Continue** to return to the previous screen.

You have 3 attempts to type in the password. If an incorrect password is given more than 3 times, you need to wait for 30 minutes before trying again.

To modify the user settings, you need to enter the level 2 password. For the default passwords, see Section [7.1.4.1](#).

7.3 System control instructions

7.3.1 Start the UPS system in the double conversion mode

The UPS system can consist of a single UPS or several parallel UPSs. UPSs with their MOB open are not considered as part of the system.

To start the UPS system:

1. Open the UPS front door.
2. Make sure that the rectifier input switch S1 closed.
3. Make sure that the battery breaker CB1 is closed.
4. Close the UPS front door.
5. Close the UPS input feeder circuit breaker.

6. Close the UPS bypass input feeder circuit breaker.
7. Wait for the UPS control panel display to become active and to indicate logic power.
8. Repeat steps 1-7 for each individual UPS in the system.
9. In the home screen, press **Controls**.
The System controls screen appears.
10. In the System controls screen, make sure that the system status is **SHUTDOWN**.
11. In the System controls screen, press the **Go online** button.
If Auto Bypass is enabled (factory default), the critical load is immediately supplied by the bypass source, in the bypass mode, until the inverter turns on and the UPS transfers to the double conversion mode. The status indicator on the UPS control panel indicates that the UPS is in the bypass mode. If auto bypass is not enabled, the UPS output remains off until the UPS system transfers to double conversion mode.
12. Wait for the following messages to appear sequentially on the System controls screen:
STARTING
ONLINE
The rectifier and inverter turn on. The DC voltage continues to ramp up to full voltage. Once the DC link reaches full voltage and the battery breaker is closed, the UPS output relay K3 closes and the static switch turns off. Power is now supplied to the critical load in the double conversion mode. It takes approximately 20 seconds for the UPS system to achieve the double conversion mode.

The UPS system is now operating in the double conversion mode. The green status indicator for normal operation is lit in all the UPSs in the system.

7.3.2 Start the UPS system in the bypass mode

CAUTION



In the bypass mode, the critical load is not protected from mains power interruptions and abnormalities.

If the inverter output of the UPS is not available and the critical load needs to be energized:

1. Open the UPS front door.
2. Make sure that the rectifier input switch S1 is closed.
3. Make sure that the battery breaker CB1 is closed.
4. Close the front door.
5. Close the UPS input feeder circuit breaker.
6. Close the UPS bypass input feeder circuit breaker.
7. Wait for the UPS control panel to become active and indicate logic power.

8. Repeat steps 1-7 for each single UPS in the system.
9. In the home screen, press **Controls**.
The System controls screen appears.
10. In the System Controls screen, make sure that the system status is shown as **SHUTDOWN**.
11. In the System controls screen, press the **Go to bypass** button.
The critical load is immediately supplied by the bypass source, in the bypass mode.

The UPS system is now operating in the bypass mode. The yellow bypass status indicator is lit.

7.3.3 Transfer from the double conversion mode to the bypass mode

CAUTION



In the bypass mode, the critical load is not protected from mains power interruptions and abnormalities.

To transfer the critical load to the bypass mode:

1. In the home screen, press **Controls**.
The System controls screen appears.
2. In the System controls screen, press the **Go to bypass** button.
The UPS system transfers to the bypass mode and the critical load is immediately supplied by the bypass source. If the bypass source is not available, the power processor remains on and an alarm sounds.

The UPS system is now operating in the bypass mode and the yellow bypass status indicator is lit. The UPM status shows **READY**. The system status shows **ON BYPASS**.

7.3.4 Transfer from the bypass mode to the double conversion mode

To transfer the critical load to the double conversion mode:

1. In the home screen, press **Controls**.
The System controls screen appears.
2. In the System controls screen, press the **Go online** button.
The UPS system transfers to the double conversion mode. If there is not enough UPM capacity available, the system remains in the bypass mode and an alarm sounds.

The UPS is now operating in the double conversion mode. The green status indicator for normal operation is lit. The system status shows **UNIT ONLINE**.

7.3.5 Transfer from the double conversion mode to the Energy Saver System mode



Note: Note that the Energy Saver System mode commands are displayed only if enabled at the factory or by an authorized Eaton Customer Service Engineer .

To transfer the critical load to the Energy Saver System mode:

1. In the home screen, press **Controls**.
2. Select **Service controls**.
3. Select **Enable ESS**.

The entire UPS system transfers to the Energy Saver System mode and the critical load is supplied by the bypass source. If the bypass source is not available or the conditions are not correct for the ESS mode, the power module remains on and an alarm sounds. The green status indicator for normal operation is lit. The UPS status shows **UNIT ONLINE** , **ESS**. The UPM status shows **READY**.

7.3.6 Transfer from the Energy Saver System mode to the double conversion mode



Note: Note that the Energy Saver System mode commands are displayed only if enabled at the factory or by an authorized Eaton Customer Service Engineer.

To transfer the critical load to the double conversion mode:

1. In the home screen, press **Controls**.
2. Select **Service controls**.
3. Select **Disable ESS**.

The UPS system transfers to the battery mode and then to the double conversion mode. If the power module is not available, the system remains in the bypass mode and an alarm sounds. The green status indicator for normal operation is lit. The UPS status shows **UNIT ONLINE**. The UPM status shows **ACTIVE**.

7.3.7 Shut down the UPS system and critical load

To do maintenance or service on the critical load, first shut down the power to the load:

1. Turn off all the equipment that is powered by the UPS system.
2. Do the LOAD OFF procedure (see Section [7.3.8](#)).
The input, output, and bypass backfeed contactors open, the battery breaker or disconnect is tripped, and the power module is turned off.
3. Open the UPS front door.

4. If included in the UPS system, open the rectifier input switches.
5. Make sure that the battery breaker is open.
6. Close the UPS front door.
7. Open the UPS input and bypass feeder circuit breakers.
8. Repeat steps 3–7 for all the UPSs in the system.

DANGER

Power is still present inside each UPS cabinet until the upstream feeder circuit breaker is opened, and in case of a parallel system, the output is isolated or parallel units are shut down as well.

7.3.8 De-energize the critical load

Initiate a UPS system Load Off. Press the **Load Off** button in the **Controls > System Controls** screen. This button can be pressed to control the UPS output. The **Load Off** button de-energizes the critical load and shuts down the UPS system. The UPS system (including bypass) remains off until it is restarted.

1. Press **Load Off**.
The shutdown screen appears, providing a choice to proceed or abort the shutdown.
2. To shut down the UPS, press **Load Off**. To abort the shutdown, press **Abort**.



Note: All power to the critical load is lost when Load Off is selected. Only use this feature when you want to de-energize the critical load.

When **Load Off** is selected, the input, output, and bypass backfeed contactors open, the battery breaker or disconnect is tripped, and all the UPSs in the system are turned off.

To restart the UPS system, see the procedures in Section [7.3.1](#) or Section [7.3.2](#).

CAUTION

Do not attempt to restart the system after Load Off until you have identified and cleared the cause of the shutdown.

7.4 UPS control instructions

7.4.1 Start a single UPS

Make sure that the load level does not exceed the single UPS capacity.

To start the UPS:

1. Open the UPS front door.

2. If included inside the UPS system, make sure that the rectifier input switches are closed.
3. Make sure that the battery breaker is closed.
4. Close the UPS front door.
5. Close the UPS input feeder circuit breaker.
6. Close the UPS bypass input feeder circuit breaker.
7. Wait for the UPS control panel display to become active and indicate logic power.
8. In the home screen, press **Controls**.
9. Press the **UPS controls** button.
In the UPS controls screen, the system status is shown as **SHUTDOWN**.
10. In the UPS controls screen, press the **Go online** button.
If Auto Bypass is enabled (factory default), the critical load is immediately supplied by the bypass source in the bypass mode, until the inverter turns on and the UPS transfers to the double conversion mode. The yellow status indicator on the UPS control panel indicates that the UPS is in the bypass mode. If auto bypass is not enabled, the UPS output remains off until the UPS system transfers to the double conversion mode.
11. In the UPS control screen, press the **Go online** button.
12. Wait for the following messages to appear sequentially on the UPS status line:
STARTING
ONLINE
The rectifier and inverter turn on. The DC voltage continues to ramp up to full voltage. Once the DC link reaches full voltage and the battery breaker is closed, the UPS output relay K3 closes. Power is now supplied to the critical load in the double conversion mode. It takes approximately 20 seconds for the UPS system to achieve the double conversion mode.

The UPS system is now operating in the double conversion mode and the green status indicator for normal operation is lit.

7.4.2 Shut down a single UPS

A single UPS in the system can be shut down only if it is redundant. In practice, this means that a UPS is not allowed to be shut down if doing so would lead to an overload condition in the remaining UPSs in the system.

To shut down a single UPS:

1. In the home screen, press **Controls**.
The System controls screen is displayed.
2. In the System controls screen, press **UPS controls**.
3. In the UPS control screen, select **Shut down UPS**.

7.4.3 Enable and disable the battery charger

To turn the battery charger on or off:

1. In the home screen, press **Controls**.
The System controls screen appears.
2. In the System controls screen, press **UPS controls**.
3. Press the **Turn on / Turn off** button.

7.5 UPM control instructions

7.5.1 Start the UPMs

Make sure that the load level does not exceed the single UPM capacity.

To start an individual power module in the double conversion mode:

1. Open the UPS front door.
2. If included inside the UPS system, make sure that the rectifier input switches are closed.
3. Make sure that the battery breaker is closed.
4. Close the UPS front door.
5. Close the UPS input feeder circuit breaker.
6. Close the UPS bypass input feeder circuit breaker.
7. Wait for the UPS control panel to become active and indicate logic power.
8. In the home screen, press **Controls**.
The System controls screen is displayed.
9. In the System controls screen, make sure that the UPS status is shown as **SHUTDOWN**.
10. Make sure that there are no active alarms.
11. In the System controls screen, press **Module controls**.
The Select module screen is displayed.
12. Select the UPM you want to start.
The UPM control screen is displayed. The UPM status is shown as **SHUTDOWN**.
13. In the UPM control screen, select **Start module**.
14. Wait for the following messages to appear sequentially on the UPM status line:
READY
ACTIVE
The UPM rectifier and inverter turn on and the UPM transfers to the double conversion mode and supplies the critical load.

7.5.2 Shut down the UPMs

A single UPM in the system can be shut down only if it is redundant. This means that a UPM is not allowed to be shut down if it would lead to an overload condition in the remaining UPMs or UPSs in the system.

To shut down a single UPM:

1. In the home screen, press **Controls**.
The System controls screen is displayed.
2. In the System controls screen, press **Module controls**.
The Select module screen is displayed.
3. Select the UPM you want to shut down.
4. In the UPM control screen, select **Shut down module**.

7.6 Use the Remote Emergency Power-off switch

A UPS emergency power-off is initiated by the EPO pushbutton switch. In case of an emergency, you can use this switch to control the UPS output. The EPO switch de-energizes the critical load and powers down the UPS immediately without asking for verification. The UPS, including the static bypass switch, remains off until it is restarted.

CAUTION



When the EPO switch is activated, all power to the critical load is lost. Use this feature only in case of emergency.



Note: The following instructions are for the EPO switch supplied by Eaton Corporation. If you are using a customer-supplied EPO switch, it may not activate in the same way. For operating instructions, see the documentation given with the switch.

To use the EPO switch:

1. Press the EPO pushbutton switch.
The input, output, and bypass backfeed relays open, the battery breaker or disconnect is tripped, and the power module is turned off immediately, without asking for verification.

To restart the UPS after using the EPO pushbutton, reset the EPO switch. Then see the procedures in Section [7.3.1](#) or Section [7.3.2](#).

WARNING



Do not attempt to restart the system after using the EPO switch until the conditions for safe start-up have been confirmed.

7.7 Turn the UPS from the double conversion mode to the maintenance bypass mode

Only trained personnel who are familiar with the behavior and functions of the UPS are allowed to operate the internal MBS. A full UPS wiring diagram with MBS switch is presented in the schematic diagram.



Note: The internal MBS and static bypass must be supplied by the same source.

The MBS has 3 positions: UPS, Test and Bypass. When the MBS is turned to the Test position, the UPS is already turned to maintenance bypass and it no longer provides protected input to the load, but enables testing of the UPS internal functionality.

To turn the UPS to maintenance bypass:

1. Follow the normal start position:

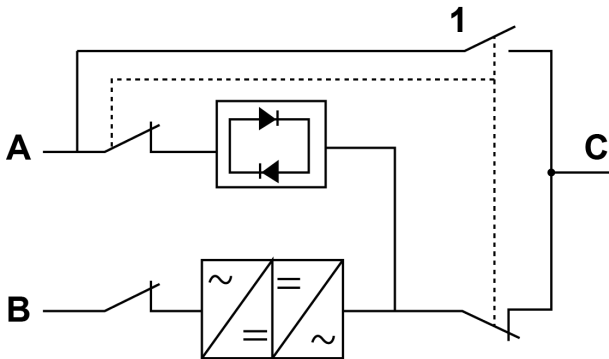


Figure 32. Normal positions of the MBS switches and rectifier disconnect switch (must be located in the site wiring)

- | | | | |
|---|---------------------|---|---------------------------------|
| A | Static bypass input | 1 | Maintenance Bypass Switch (MBS) |
| B | Rectifier input | | |
| C | Out | | |
2. Do the transfer from the double conversion mode to the bypass mode as instructed in Section 7.3.3. Remember to verify the transfer before proceeding to the next step.
 3. Turn the MBS from the UPS position to the Test position.
 4. Do the LOAD OFF procedure as described in Section 7.3.8.
 5. Turn the MBS from the Test position to the Bypass position.
 6. Turn off the rectifier switch to disconnect the UPS rectifier input.
 7. Turn off the static bypass switch to disconnect the UPS bypass input.

The UPS is now in the maintenance bypass mode:

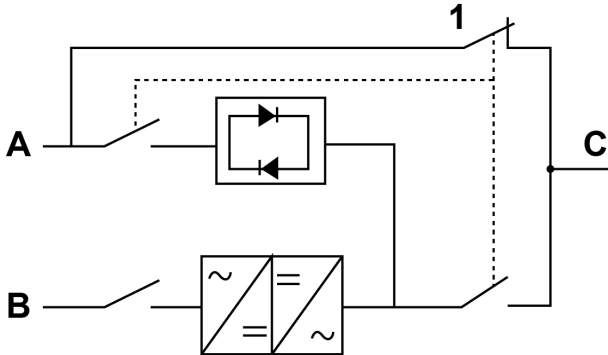


Figure 33. Maintenance bypass mode

- | | | | |
|---|---------------------|---|---------------------------------|
| A | Static bypass input | 1 | Maintenance Bypass Switch (MBS) |
| B | Rectifier input | | |
| C | Out | | |

7.8 Turn the UPS from the maintenance bypass mode to the double conversion mode

To turn the UPS back to the double conversion mode:

1. Follow the normal start position:

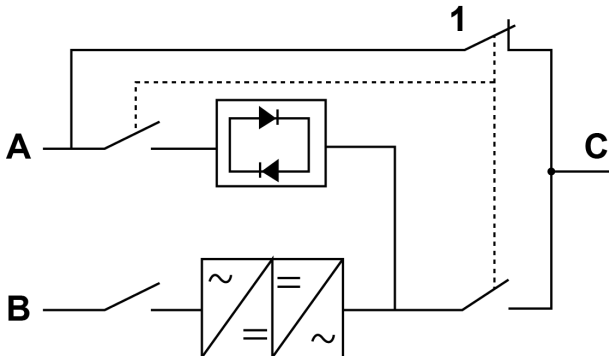


Figure 34. Maintenance bypass mode

- | | | | |
|---|---------------------|---|---------------------------------|
| A | Static bypass input | 1 | Maintenance Bypass Switch (MBS) |
| B | Rectifier input | | |
| C | Out | | |

2. Turn on the rectifier switch to connect rectifier input to the UPS.
3. Turn on the static bypass switch to connect bypass input to the UPS.
4. Turn the MBS from the bypass position to the test position.
5. Do the UPS start-up procedure (bypass mode) in Section [7.3.2](#).
6. Turn the MBS from the test position to the UPS position.
7. Do the transfer from the bypass mode to the double conversion mode as described in Section [7.3.4](#).

The UPS is now in the double conversion mode.

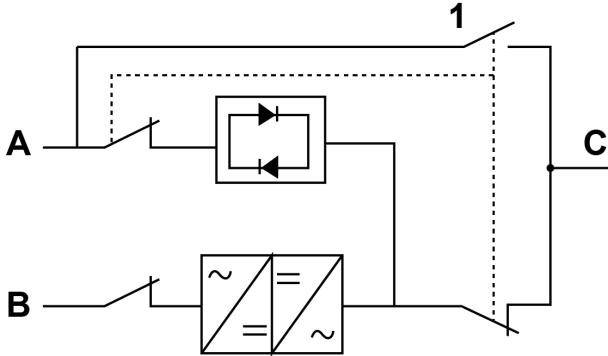


Figure 35. Double conversion mode

- | | | | |
|---|---------------------|---|---------------------------------|
| A | Static bypass input | 1 | Maintenance Bypass Switch (MBS) |
| B | Rectifier input | | |
| C | Out | | |

8 UPS maintenance

The components inside the UPS cabinet are secured to a sturdy metal frame. All repairable parts and assemblies are located for easy removal with very little disassembly. This design allows authorized service personnel to perform routine maintenance and servicing quickly. Schedule periodic performance checks of your UPS system to keep it running properly. Regular routine checks of the operation and system parameters enable your system to function efficiently for many trouble-free years.

8.1 Important safety instructions

Remember that your UPS system is designed to supply power **EVEN WHEN IT IS DISCONNECTED FROM THE UTILITY POWER**. The UPS module interiors are unsafe until the DC power source is disconnected and the electrolytic capacitors are discharged.

After disconnecting the utility power and the DC power, authorized service personnel must wait at least 5 minutes for capacitor bleed-off before attempting internal access to the UPS module.

DANGER



LETHAL VOLTAGE. Do not operate the UPS system without the cabinet doors or protective panels secured. Do not make any assumptions about the electrical state of any cabinet in the UPS system.

WARNING



All service and maintenance work must be performed only by service personnel qualified and authorized by Eaton.

CAUTION



An additional warning label, shown in Figure 36, must be installed at the UPS input terminals and all the primary power isolators used to isolate the UPS unit if the UPS input is connected through external isolators that, when opened, isolate the neutral. These warning labels can be obtained from your local service representative.

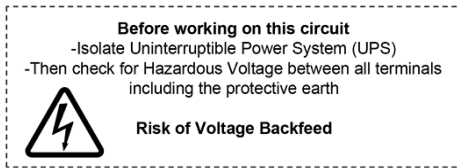


Figure 36. Warning label

Since each battery string is an energy source in itself, opening the battery circuit breaker does not de-energize the voltage within the battery string.



DANGER

Do not attempt to access any internal area of the battery string yourself. Voltages are always present in the battery strings. If you suspect that a battery string needs service, contact your service representative.

Observe these precautions when working on or around batteries:

- Remove watches, rings, or other metal objects.
- Use tools with insulated handles.
- Wear rubber gloves and boots.
- Do not lay tools or metal parts on top of batteries or battery cabinets.
- Prior to connecting or disconnecting terminal, disconnect the charging source.
- Determine if the battery is inadvertently grounded. If it is, remove the source of the ground. Contact with any part of a grounded battery can result in an electrical shock. The likelihood of such a shock is reduced if such grounds are removed during installation and maintenance.
- When replacing batteries, use the same number of sealed, lead-acid batteries.
- Dispose of batteries according to your local codes for disposal requirements.

8.2 Preventive maintenance

The UPS system requires very little preventive maintenance. However, inspect the system periodically to verify that the units operate normally and that the batteries are in good condition.

The majority of the service and maintenance work must be performed by service personnel qualified by Eaton. Only the actions described in Section [8.2.1](#) and Section [8.2.2](#) can be done by the user.

8.2.1 Daily maintenance

Do this every day:

1. Examine the area surrounding the UPS system. Make sure that the area is not cluttered, allowing free access to the unit.
2. Make sure that the air intakes (vents on the front doors) and exhaust opening (the back of the UPS cabinet sections) are not blocked.
3. Make sure that the operating environment is within the parameters specified in Section 4.3.1 and Chapter 9.
4. Make sure that the UPS is in the normal operation mode (the green status indicator for normal operation is lit). If the red alarm status indicator is lit or the green status indicator for normal operation is not lit, contact your service representative.

8.2.2 Monthly maintenance

Do this once a month:

1. Examine the system parameters on the control panel (see Section 7.1.4).
2. Examine the air filters (located behind the front doors) and wash or replace them, if needed. Contact your service representative for replacement filters.
To replace the filters:
 - a. Open the UPS front door.
 - b. Replace the filters.
 - c. Close the UPS front door.
3. Record the results and any corrective actions in a service log.

8.2.3 Periodic maintenance

Inspect the UPS periodically to determine if components, wiring, and connections exhibit evidence of overheating. Pay particular attention to bolted connections. Bolted connections must be re-torqued periodically.

8.2.4 Annual maintenance

WARNING



Only authorized personnel that are familiar with the maintenance and servicing of the UPS system are allowed to perform annual preventive maintenance. Contact your service representative for more information about service offerings.

8.2.5 Battery maintenance

WARNING



Only authorized personnel are allowed to perform battery replacement and maintenance. Contact your service representative for battery maintenance.

8.3 Recycling the used UPS or batteries

Remove the battery bank before disposing of the UPS or its battery cabinet. Follow the local requirements regarding battery recycling or disposal.



WARNING

Only authorized personnel are allowed to remove the batteries due to the risk caused by high energy and voltage.

Do not discard waste electrical or electronic equipment in the trash. For proper disposal, contact your local collecting/recycling/reuse or hazardous waste center and follow the local legislation.

The following symbols indicate a product requiring special handling:



Figure 37. WEEE symbol

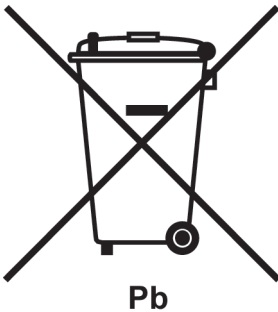


Figure 38. Recycling batteries symbol

When handling waste from electrical and electronic equipment, use proper local collecting centers that meet local legislation.

WARNING



HAZARDOUS MATERIALS.

Batteries may contain high voltages and caustic, toxic and flammable substances. If used improperly, batteries can injure or kill people and damage equipment.

Do not discard of unwanted batteries or battery material in the public waste disposal system. Follow all the applicable local regulations regarding the storage, handling and disposal of batteries and battery materials.

8.4 Maintenance training

For more information about training and other services, contact your Eaton representative.

9 Technical data

For a complete technical specification, contact your Eaton representative. Due to continuous product improvement programs, specifications are subject to change without notice.

9.1 Directives and standards

Safety	IEC 62040-1: Uninterruptible power systems (UPS) - Part 1: General and safety requirements for UPS IEC 60950-1: Information technology equipment - Safety - Part 1: General requirements (as referred through the IEC 62040-1)
EMC	IEC 62040-2: Uninterruptible power systems (UPS) - Part 2: Electromagnetic compatibility (EMC) requirements / Ed. 2 <ul style="list-style-type: none"> • Emissions: category C2 • Immunity: category C3
Performance & tests	IEC 62040-3: Uninterruptible power systems (UPS) - Part 3: Method of specifying the performance and test requirements
Environmental	IEC62040-4: Uninterruptible Power Systems (UPS) - Part 4: Environmental Aspects - Requirements and Reporting IEC 62430: Environmentally conscious design for electrical and electronic products
RoHS	2011/65/EU on the restriction of the use of certain hazardous substances in electrical and electronic equipment
WEEE	2012/19/EU on waste electrical and electronic equipment (WEEE)
ECO Design Directive	2009/125/EC establishing a framework for the setting of eco-design requirements for energy-related products
Batteries	2006/66/EC on batteries and accumulators and waste batteries and accumulators
Packaging	94/62/EC on packaging and packaging waste

9.2 UPS system input

Rated input voltage	220/380 V; 230/400 V; 240/415 V
Voltage tolerance, (Rectifier input)	230 V -15% / +20%
Voltage tolerance, (Bypass input)	230 V -15% / +10%
Rated input frequency	50 or 60 Hz
Frequency tolerance	40 to 72 Hz

Number of input phases (rectifier & bypass)	3 phases, N
Input power factor	0.99
Rated mains input current	See Table 11
Maximum mains input current	
Input current distortion at rated input current, ITHD	8 kW, 10 kW: resistive load <3%, non-linear load <5% 15–40 kW: resistive load <3%, non-linear load <4%
Rectifier ramp-up, rectifier start and load step	10 A/s (default), configurable. Min 1A/s
Backfeed protection	Yes, for rectifier and bypass lines

9.3 UPS system output

Number of output phases	3 phases, N
Rated output voltage	220/380 V; 230/400 V; 240/415 V, configurable
Rated output frequency	50 or 60 Hz, user configurable
Total voltage harmonic distortion: 100 % linear load 100 % non-linear load	< 1.5% < 3.5%
Output frequency variation	+/- 0.1 Hz (with 1 UPM), +/- 0.15 Hz (with 2 UPMs)
Slew rate	1 Hz/s
Output current	See Table 10
Overload capability at ambient 40 °C (in the double conversion mode)	102 – 110 % rated power for 10 min 111 – 125 % rated power for 60 s 126 – 150 % rated power for 10 s > 150% rated power for 300 ms
Overload capability at ambient 40 °C (in the stored energy mode)	102 – 110 % rated power for 10 min 111 – 125 % rated power for 60 s 126 – 150 % rated power for 10 s > 150% rated power for 300 ms
Overload capability at ambient 40 °C (in the bypass mode)	Continuous ≤ 125% load Transient ≤ 1000% RMS current for 20 ms Note! Bypass fuses may limit the overload capability

Load power factor (rated)	Nominal 1.0
Load power factor (permitted range)	From 0.8 lagging to 0.8 leading
Max ambient temperature without de-rating	40 °C

9.4 UPS environmental specifications

Acoustic noise at 1 m	<60 dBA in double conversion <47 dBA in ESS
Ambient storage temperature	From -25 °C to +55 °C in the protective package
Transportation temperature ¹⁾	From -25 °C to 60 °C
Ambient operating temperature range	From 0 °C to +45 °C* without output power derating at sea level
Relative humidity range	5 to 95%, no condensation allowed
Maximum service altitude	1,000 m (3,300 ft) above sea level at +40 °C Maximum 2,000 m (6,600 ft) with 1% de-rating per each additional 100 m
Maximum storage time with internal batteries	6 months without recharge

* Maximum recommended operating and storage temperature for UPS with internal batteries is +25 °C. Higher storage temperature will shorten the maximum storage time without recharging.

¹⁾ The maximum recommended operational and storage temperature with VRLA batteries is 25 °C.

9.5 Battery specification

Battery type	VRLA, 12 VDC
Battery quantity	Default 32 blocks, 192 cells per battery string External battery 28–40 blocks, 168–240 cells per battery string Note! Do not connect battery strings with different battery quantity and voltage in parallel!
Battery voltage	384 V (32 blocks), 336 V (28 blocks), 480 V (40 blocks)
Recharge profile	Constant voltage, constant current charging (U-I characteristics), ABM or float charge

End of discharge voltage	1.67 VPC to 1.75 VPC, configurable or automatic (load adaptive)
Charge current	Configurable:
8–20 kW units (one UPM)	Configurable 0...25 A: 1...25 A with the 20 kW UPM (at > 80% load limited to 15 A) 1...18 A with the 15 kW UPM (at > 80% load limited to 10 A)
8–40 kW units (two UPMs)	Configurable 0...50 A (at > 80% load automatically limited to 30 A) 0...36 A with the 15 kW UPM (at > 80% load limited to 20 A)
	Note: the maximum charge current is 25 A per one 20 kW UPM and 18 A per one 15 kW UPM
Battery start option	Yes

10 Warranty

10.1 General

The product is warranted against defects in materials and workmanship for a period of twelve (12) months from its original date of purchase. The local office or distributor may grant a warranty period different to the above. Please refer to local terms of liability as defined in the supply contract.

The UPS manufacturer is not responsible for:

- Any costs resulting from a failure if the installation, commissioning, repair, alteration, or ambient conditions of the equipment do not fulfill the requirements specified in the documentation delivered with the unit and other relevant documentation.
- Equipment subjected to misuse, negligence or accident.
- Equipment comprised of materials provided or designs stipulated by the purchaser.

The warranty is only valid if the installation inspection and initial startup of the UPS unit is carried out by an authorized Eaton Customer Service Engineer or by other qualified service personnel authorized by Eaton. Service and maintenance of the UPS shall also be performed only by an authorized Eaton Customer Service Engineer or by other qualified service personnel authorized by Eaton. Otherwise the warranty will be voided.

If the product fails to meet its published specifications due to a defect in material and workmanship, covered by this warranty, the seller will repair or replace the warranted product. Such repair or replacement will be made by Eaton or by a service provider approved by Eaton. Repair or replacement during the warranty period does not extend the original warranty. Warranty does not cover taxes, which will be due in connection with replacement or repair of the product.

Batteries are warranted against failures in material and workmanship, not against the normal aging and reduction of ampere-hour capacity. The product storage environment has to meet manufacturer's specifications, failure to do this will cause the warranty to be voided.

Under no circumstances shall the manufacturer, its suppliers or subcontractors be liable for special, indirect, incidental or consequential damages, losses or penalties.

The technical data, information and specifications are valid at the time of printing. The UPS manufacturer reserves the right to modifications without prior notice.

10.2 Whom to contact in case of Warranty

In case of Warranty, or while unsure if the unit in question is covered by warranty, contact the respective sales organization where the unit was purchased. Have the following information available:

- Purchase order number and purchase order date
 - Installation date
- OR
- Serial number and part number of the unit (information available on the unit's label)



Powering Business Worldwide

Eaton Power Quality Oy
Koskelontie 13
FI-02920 Espoo, Finland
www.eaton.eu

Copyright © 2017 Eaton Corporation plc. All rights reserved. Unauthorized copying and lending are prohibited.