

# Eaton® 93PM Integrated Battery Cabinet-Large and Large High Rate

IBC-L

IBC-LH (432V)

IBC-LH (480V)

Installation Manual



*Powering Business Worldwide*

p/n: 164000228  
Revision 08

---

## **IMPORTANT SAFETY INSTRUCTIONS SAVE THESE INSTRUCTIONS**

---

This manual contains important instructions that should be followed during installation and maintenance of the UPS and batteries. Read all instructions before operating the equipment and save this manual for future reference.

---

---

## **CONSIGNES DE SÉCURITÉ IMPORTANTES – CONSERVER CES INSTRUCTIONS**

---

Ce manuel comporte des instructions importantes que vous êtes invité à suivre lors de toute procédure d'installation et de maintenance des batteries et de l'onduleur. Veuillez consulter entièrement ces instructions avant de faire fonctionner l'équipement et conserver ce manuel afin de pouvoir vous y reporter ultérieurement.

---



### **IMPORTANT**

---

To ensure you have the most up-to-date content and information for this product, please review the latest manual revision on our website, [www.eaton.com/93PM](http://www.eaton.com/93PM).

---

Eaton reserves the right to change specifications without prior notice. Modbus is a registered trademark of Schneider Automation, Inc. MOXA is a registered trademark and MGate is a trademark of MOXA, Inc. Spiralock is a registered trademark of Spiralock Corporation. KIRK is a registered trademark of Kirk Key Interlock company, LLC, a subsidiary of Halma plc. National Electrical Code and NEC are registered trademarks of National Fire Protection Association, Inc. ERIFLEX and FLEXIBAR are registered trademark of Erico International Corporation. All other trademarks are property of their respective companies.

©Copyright 2013-2018 Eaton, Raleigh, NC, USA. All rights reserved. No part of this document may be reproduced in any way without the express written approval of Eaton.

# Table of Contents

<b>1 Introduction</b>	<b>1</b>
1.1 Installation Features	2
1.2 Optional Thermal Sensor	3
1.3 Model Configurations	3
1.4 Using This Manual	5
1.5 Conventions Used in This Manual	5
1.6 Symbols, Controls, and Indicators	5
1.7 For More Information	6
1.8 Getting Help	7
1.9 Equipment Registration	7
<b>2 Safety Warnings</b>	<b>9</b>
<b>3 Installation Plan and Unpacking</b>	<b>13</b>
3.1 Creating an Installation Plan	13
3.2 Preparing the Site	13
3.2.1 Environmental and Installation Considerations	13
3.2.2 IBC Power Wiring Preparation	23
3.2.3 IBC Interface Wiring Preparation	27
3.3 Inspecting and Unpacking the IBC	28
3.4 Battery Breaker Location	31
<b>4 Installation</b>	<b>33</b>
4.1 Preliminary Installation Information	33
4.2 Unloading the IBC Cabinet from the Pallet	33
4.3 Installing IBC Power Wiring	39
4.3.1 Line-Up-and-Match Power Wiring	39
4.3.2 Standalone Power Wiring	46
4.4 Battery Breaker Instantaneous Trip Setting	48
4.5 Installing IBC Interface Wiring	49
4.5.1 Installing Battery Detect Interface Connections	49
4.5.2 Installing Battery Shunt Trip Interface Connections	57
4.5.3 Installing Thermal Sensor Interface Connections	59
4.6 Initial Startup	60
4.7 Completing the Installation Checklist	60
4.8 Installation Checklist	61
<b>5 Onelines and Schematics</b>	<b>63</b>
5.1 Power Onelines	63
5.2 Interface Onelines	67
5.3 Schematics	68

Table of Contents

- 6 Maintenance..... 71**
  - 6.1 Important Safety Instructions ..... 71
  - 6.2 Performing Preventive Maintenance ..... 71
    - 6.2.1 DAILY Maintenance ..... 71
    - 6.2.2 PERIODIC Maintenance ..... 71
    - 6.2.3 ANNUAL Maintenance ..... 71
    - 6.2.4 BATTERY Maintenance ..... 71
    - 6.2.5 BATTERY Shelf Life ..... 72
  - 6.3 Recycling the Used Batteries ..... 72
  - 6.4 Maintenance Training ..... 72
  
- 7 Product Specifications ..... 73**
  - 7.1 Model Numbers ..... 73
  - 7.2 Specifications ..... 73
    - 7.2.1 Battery Specifications ..... 73
    - 7.2.2 Environmental and Safety Specifications ..... 74
  
- 8 Warranty ..... 75**
  - 8.1 Limited Factory Warranty for Three-Phase Eaton 93PM UPS and 93PM UPS Accessory Products ..... 75

## List of Figures

Figure 1.	Eaton 93PM IBC-L or 93PM IBC-LH .....	1
Figure 2.	Eaton 93PM IBC-L or 93PM IBC-LH with Left or Right Mounted Sidecar .....	2
Figure 3.	Eaton 93PM 100 kW UPS and Two 93PM Integrated Battery Cabinets .....	3
Figure 4.	IBC-L or IBC-LH Dimensions (Front and Right Side Views) .....	17
Figure 5.	IBC-L or IBC-LH Dimensions (Rear Views) .....	18
Figure 6.	IBC-L or IBC-LH Dimensions (Top and Bottom Views) .....	19
Figure 7.	IBC-L or IBC-LH with Factory Installed Side Car Dimensions (Front and Top View).....	20
Figure 8.	IBC-L or IBC-LH Center of Gravity .....	21
Figure 9.	IBC-L or IBC-LH with Left-Mounted or Right-Mounted Sidecar Center of Gravity.....	22
Figure 10.	Eaton 93PM IBC-L or 93PM IBC-LH as Shipped on Pallet.....	29
Figure 11.	Eaton 93PM IBC-L or 93PM IBC-LH with Left or Right-Mounted Sidecar as Shipped on Pallet .....	30
Figure 12.	Eaton 93PM IBC-L or 93PM IBC-LH (432V) Battery Breaker Location – Front View with Door Removed .....	31
Figure 13.	Eaton 93PM IBC-LH (480V) Battery Breaker Location – Front View with Door Removed.....	32
Figure 14.	Removing the Pallet Skids and Supports – Eaton 93PM IBC-L.....	35
Figure 15.	Line-Up-and-Match Wiring Access Locations.....	37
Figure 16.	Rear Ventilation .....	38
Figure 17.	Top Ventilation.....	39
Figure 18.	DC Power Terminal Locations – Eaton 93PM IBC-L (432V) .....	41
Figure 19.	DC Power Terminal Detail – Eaton 93PM IBC-L (432V) .....	42
Figure 20.	DC Power Terminal Locations – Eaton 93PM IBC-LH (432V) .....	43
Figure 21.	DC Power Terminal Detail – Eaton 93PM IBC-LH (432V) .....	44
Figure 22.	DC Power Terminal Locations – Eaton 93PM IBC-LH (480V) .....	45
Figure 23.	DC Power Terminal Detail – Eaton 93PM IBC-LH (480V) .....	46
Figure 24.	IBC Bottom Entry Conduit and Wire Entry Locations.....	48
Figure 25.	IBC Sidecar Top Entry Conduit and Wire Entry Locations .....	48
Figure 26.	Battery Breaker Instantaneous Trip Setting Dials.....	49
Figure 27.	Interface Terminal Locations – Eaton 93PM IBC-L (432V) or 93PM IBC-LH (432V) .....	51
Figure 28.	Interface Terminal Locations – Eaton 93PM IBC-LH (480V).....	52
Figure 29.	Shunt Trip, Battery Detect, and Thermal Sensor Wiring .....	55
Figure 30.	Interface Terminal Detail – Eaton 93PM IBC-L (432V) or 93PM IBC-LH (432V) .....	56
Figure 31.	Interface Terminal Detail – Eaton 93PM IBC-LH (480V).....	57
Figure 32.	93PM IBC-L Line-Up-and-Match Power Oneline.....	63
Figure 33.	93PM IBC-L Standalone Power Online – One or Two Cabinets.....	64
Figure 34.	93PM IBC-L Standalone Power Online – Four Cabinets .....	64
Figure 35.	93PM IBC-LH Line-Up-and-Match Power Oneline .....	65
Figure 36.	93PM IBC-LH Standalone Power Online – One Cabinet .....	65
Figure 37.	93PM IBC-LH Standalone Power Online – Two Cabinets .....	66
Figure 38.	93PM Integrated Battery Cabinet Interface Oneline .....	67

List of Figures

Figure 39. 93PM Integrated Battery Cabinet Schematic – IBC-L and IBC-LH (432V) ..... 69  
Figure 40. 93PM Integrated Battery Cabinet Schematic – IBC-LH (480V) ..... 70

## List of Tables

Table 1.	IBC-L Cabinet Weights .....	14
Table 2.	IBC-LH (432V) Cabinet Weights .....	15
Table 3.	IBC-LH (480V) Cabinet Weights .....	15
Table 4.	IBC-L and IBC-LH Cabinet Clearances .....	16
Table 5.	Line-Up-and-Match External Power Wiring Recommendations – Eaton 93PM IBC-L and 93PM IBC-LH .....	24
Table 6.	Standalone External Power Wiring Recommendations - Eaton 93PM IBC-L .....	25
Table 7.	Standalone External Power Wiring Recommendations - Eaton 93PM IBC-LH .....	26
Table 8.	External Power Cable Terminations – Eaton 93PM IBC-L and 93PM IBC-LH .....	27
Table 9.	Recommended DC Circuit Breaker or Disconnect Ratings (Three or Four IBC-Ls or Two IBC-LHs) .....	27
Table 10.	IBC TB2 or TB3 Interface Connections (432V) .....	53
Table 11.	IBC TB2 or TB3 Interface Connections (480V) .....	54
Table 12.	IBC TB2 or TB3 Interface Wiring Terminal Block Terminations .....	56

List of Tables



## Chapter 1 Introduction

The Eaton® 93PM Integrated Battery Cabinet-Large (IBC-L) and Integrated Battery Cabinet-Large High Rate (IBC-LH) provide extended emergency short-time backup power for 93PM UPS systems to enhance the usability and reliability of the systems. The IBC-L and IBC-LH safeguard operation during brownouts, blackouts, and other power interruptions providing cost-effective extended battery run time. In addition, the IBC-LH provides a single battery cabinet solution for 93PM UPS systems 200 kW and below. 93PM 400 kW UPS systems above 200 kW require at least two battery cabinets.

The IBC-L and IBC-LH are housed in a single free-standing cabinet with safety shields behind the doors for hazardous voltage protection. UPS systems 200 kW and below can utilize up to four IBC-Ls per UPS or two IBC-LHs per UPS to meet application runtime needs. 400 kW UPS systems can utilize up to eight IBC-Ls per UPS or four IBC-LHs per UPS to meet application runtime needs. The cabinets match the UPS cabinet in style and color.

The IBCs are equipped with valve-regulated lead-acid (VRLA) batteries. Removable battery trays with quick disconnects between trays reduce battery maintenance time. A DC-rated circuit breaker within each cabinet provides protection and servicing isolation. The IBC-LH is available with battery voltage of 432 or 480 Vdc.

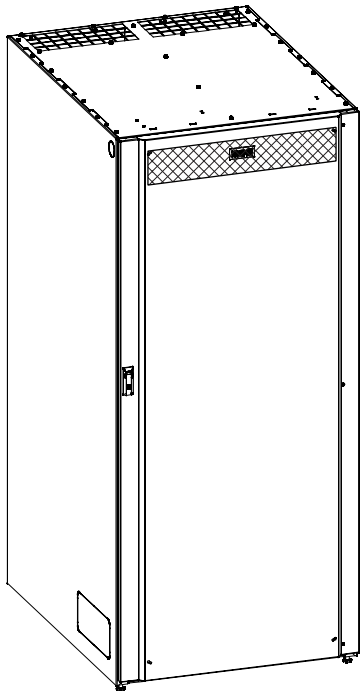
[Figure 1](#) shows the IBC-L or IBC-LH, and [Figure 2](#) shows the IBC-L or IBC-LH with a left or right mounted sidecar.

---

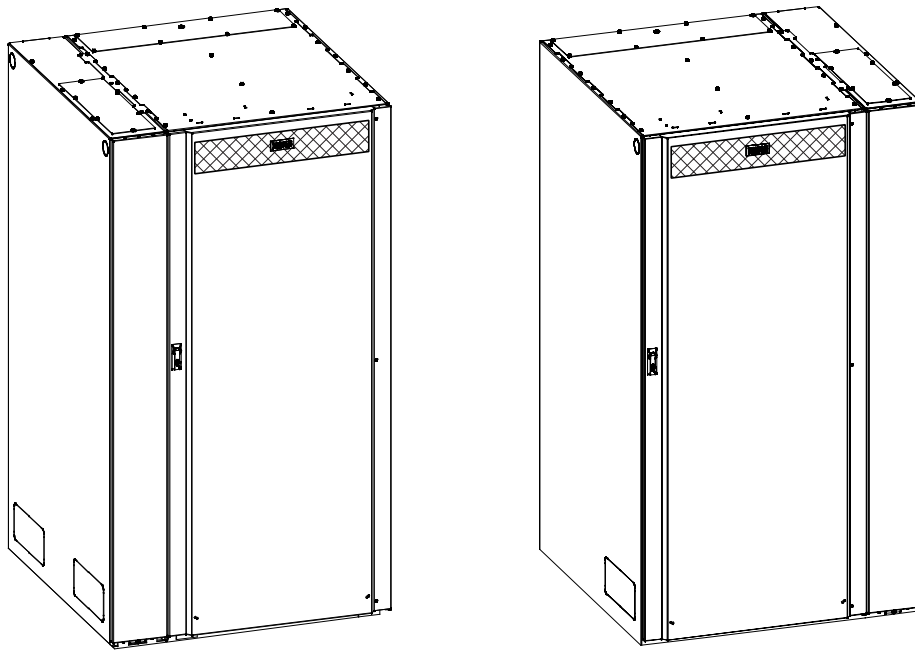
**NOTE** Startup and operational checks must be performed by an authorized Eaton Customer Service Engineer, or the warranty terms specified in [Chapter 8 Warranty](#) become void. This service is offered as part of the sales contract for the UPS. Contact an Eaton service representative in advance (a minimum two-week notice is required) to reserve a preferred startup date.

---

**Figure 1. Eaton 93PM IBC-L or 93PM IBC-LH**



**Figure 2. Eaton 93PM IBC-L or 93PM IBC-LH with Left or Right Mounted Sidecar**

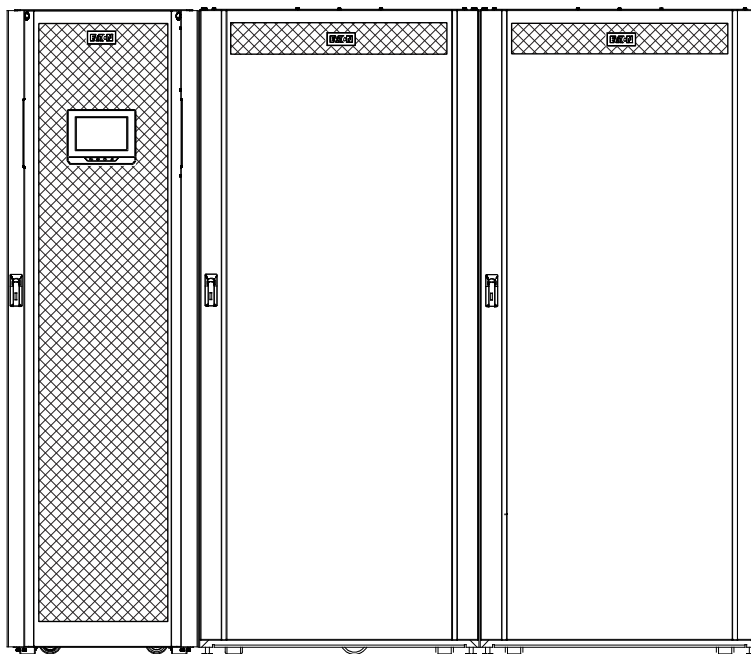


## 1.1 Installation Features

- Line-up-and-match configurations using factory supplied power wiring or standalone configurations using customer supplied power wiring
- Battery wiring can be run internally through the left or right sides of the IBCs in line-up-and-match configurations or routed through the bottom of the IBCs using conduit in standalone configurations
- A factory installed sidecar option is available for standalone installations needing top entry wiring.
- Only one sidecar is needed for multiple IBCs.
- Easily accessible mechanical terminals located at the bottom front of the cabinet reduce installation time.
- Interface wiring can be routed through the top left or right sides of the IBCs in line-up-and-match configurations or through the top or bottom of the IBCs using conduit in standalone configurations.
- IBCs with and without a sidecar can be installed in a single lineup.
- Built-in casters for easy cabinet placement.

Line-up-and-match battery cabinets are installed adjacent to the UPS. The recommended installation location is on the right side of the UPS cabinet as viewed from the front of the cabinet. See [Figure 3](#) for line-up-and-match configuration views.

**Figure 3. Eaton 93PM 100 kW UPS and Two 93PM Integrated Battery Cabinets**



## 1.2 Optional Thermal Sensor

Thermal runaway protection for VRLA batteries can be provided by installing an optional thermal sensor inside the battery cabinet.

The sensor is wired to an UPS building alarm programmed to turn the charger off when a trip signal is received.

The thermal sensor will maintain the trip state until the temperature it is reset by service. Service should be called to inspect the batteries and reset the sensor in case of such an event.

## 1.3 Model Configurations

The following model configurations are available:

- 93PM Integrated Battery Cabinet-Large
  - Line-up-and-match or bottom entry standalone.
  - Contains one battery string to be used with 93PM UPS systems.
  - Available E28, E39 or E54 batteries.
  - Up to four IBC-Ls can be paralleled to extend the run time. Use with a 93PM 20-50 kW UPS, 93PM 20-100 kW UPS, 93PM 20-150 kW UPS, or 93PM 20-200 kW UPS.
  - Up to eight IBC-Ls can be paralleled to extend the run time. Use with a 93PM 100-400 kW UPS

- 93PM Integrated Battery Cabinet-Large with factory installed sidecar
  - Sidecar provided for top entry standalone.
  - Contains one battery string to be used with the 93PM UPS systems.
  - Available E28, E39 or E54 batteries.
  - Up to four IBC-Ls can be paralleled to extend the run time using one sidecar. Use with a 93PM 20-50 kW UPS, 93PM 20-100 kW UPS, 93PM 20-150 kW UPS, or 93PM 20-200 kW UPS.
  - Up to eight IBC-Ls can be paralleled to extend the run time. Use with a 93PM 100-400 kW UPS
- Eaton 93PM Integrated Battery Cabinet-Large High Rate (432V)
  - Line-up-and-match or bottom entry standalone.
  - Contains one battery string to be used with 93PM UPS systems.
  - Available B37, E54, N54 or H41 batteries
  - Up to two IBC-LHs can be paralleled to extend the run time. Use with a 93PM 20-50 kW UPS, 93PM 20-100 kW UPS, 93PM 20-150 kW UPS, or 93PM 20-200 kW UPS.
  - Up to four IBC-LHs can be paralleled to extend the run time. Use with a 93PM 100-400 kW UPS.
- Eaton 93PM Integrated Battery Cabinet-Large High Rate (432V) with factory installed sidecar
  - Sidecar provided for top entry standalone.
  - Contains one battery string to be used with the 93PM UPS systems.
  - Available B37, E54, N54 or H41 batteries.
  - Up to two IBC-LHs can be paralleled to extend the run time using one sidecar. Use with a 93PM 20-50 kW UPS, 93PM 20-100 kW UPS, 93PM 20-150 kW UPS, or 93PM 20-200 kW UPS.
  - Up to four IBC-LHs can be paralleled to extend the run time. Use with a 93PM 100-400 kW UPS.
- Eaton 93PM Integrated Battery Cabinet-Large High Rate (480V)
  - Line-up-and-match or bottom entry standalone.
  - Contains one battery string to be used with 93PM UPS systems.
  - Available B37 or H41 batteries
  - Up to two IBC-LHs can be paralleled to extend the run time. Use with a 93PM 20-50 kW UPS, 93PM 20-100 kW UPS, 93PM 20-150 kW UPS, or 93PM 20-200 kW UPS.
  - Up to four IBC-LHs can be paralleled to extend the run time. Use with a 93PM 100-400 kW UPS.
- Eaton 93PM Integrated Battery Cabinet-Large High Rate (480V) with factory installed sidecar
  - Sidecar provided for top entry standalone.
  - Contains one battery string to be used with the 93PM UPS systems.
  - Available B37 or H41 batteries.
  - Up to two IBC-LHs can be paralleled to extend the run time using one sidecar. Use with a 93PM 20-50 kW UPS, 93PM 20-100 kW UPS, 93PM 20-150 kW UPS, or 93PM 20-200 kW UPS.
  - Up to four IBC-LHs can be paralleled to extend the run time. Use with a 93PM 100-400 kW UPS.

## 1.4 Using This Manual

This manual describes how to install the IBC and is divided into chapters. Read and understand the procedures described to ensure trouble-free installation and operation.

Read through each procedure before beginning the procedure. Perform only those procedures that apply to the UPS system being installed or operated.

## 1.5 Conventions Used in This Manual

This manual uses these type conventions:

- **Bold type** highlights important concepts in discussions, key terms in procedures, and menu options, or represents a command or option that you type or enter at a prompt.
- *Italic type* highlights notes and new terms where they are defined.
- `Screen type` represents information that appears on the screen or LCD.

Icon	Description
Note	Information notes call attention to important features or instructions.
[Keys]	Brackets are used when referring to a specific key, such as [Enter] or [Ctrl].

In this manual, the term UPS refers only to the UPS cabinet and its internal elements. The term UPS system refers to the entire power protection system – the UPS cabinet, an external battery system, and options or accessories installed.

The term line-up-and-match refers to accessory cabinets that are physically located adjacent to the UPS. The term standalone refers to accessory cabinets that are located separate from the UPS.

Left and right side notations are referenced standing in front of the cabinet.

## 1.6 Symbols, Controls, and Indicators

The following are examples of symbols used on the UPS or accessories to alert you to important information:



**RISK OF ELECTRIC SHOCK** - Observe the warning associated with the risk of electric shock symbol.



**CAUTION: REFER TO OPERATOR'S MANUAL** - Refer to your operator's manual for additional information, such as important operating and maintenance instructions.



This symbol indicates that you should not discard the UPS or the UPS batteries in the trash. This product contains sealed, lead-acid batteries and must be disposed of properly. For more information, contact your local recycling/reuse or hazardous waste center.



This symbol indicates that you should not discard waste electrical or electronic equipment (WEEE) in the trash. For proper disposal, contact your local recycling/reuse or hazardous waste center.

## 1.7 For More Information

Refer to the following manuals for the listed additional information:

- Eaton 93PM UPS (20-50 kW, 480V 50 kW Frame) Installation and Operation Manual
- Eaton 93PM UPS (20-50 kW, 480V Four Wire 50 kW Frame) Installation and Operation Manual
- Eaton 93PM Emergency Lighting UPS (20-40 kW, 480V Four Wire UL 924) Installation and Operation Manual
- Eaton 93PM UPS (20-100 kW, 480V 100 kW Frame) Installation and Operation Manual
- Eaton 93PM UPS (20-100 kW, 480V Four Wire 100 kW Frame) Installation and Operation Manual
- Eaton 93PM UPS (20-150 kW, 480V 150 kW Capacity Frame) Installation and Operation Manual
- Eaton 93PM UPS (20-150 kW, 480V Four Wire 150 kW Capacity Frame) Installation and Operation Manual
- Eaton 93PM Emergency Lighting UPS (20-120 kW, 480V Four Wire UL 924) Installation and Operation Manual
- Eaton 93PM UPS (20-200 kW, 480V 200 kW Frame) Installation and Operation Manual
- Eaton 93PM UPS (20-200 kW, 480V Four Wire 200 kW Frame) Installation and Operation Manual
- Eaton 93PM UPS (100-400 kW, 480V 400 kW Frame) Installation and Operation Manual
  - UPS, optional components, and accessory installation instructions, including site preparation, planning for installation, and wiring and safety information. Detailed illustrations of cabinets and optional accessories with dimensional and connection point drawings are provided.
  - UPS operation, including UPS controls, functions of the UPS, standard features and optional accessories, procedures for starting and stopping the UPS, and information about maintenance and responding to system events.
  - Communication capabilities of the UPS system.

Visit [www.eaton.com/powerquality](http://www.eaton.com/powerquality) or contact an Eaton service representative for information on how to obtain copies of these manuals.

## 1.8 Getting Help

If help is needed with any of the following:

- Scheduling initial startup
- Regional locations and telephone numbers
- A question about any of the information in this manual
- A question this manual does not answer

Please call the Customer Reliability Center at:

United States:	<b>1-800-843-9433</b>
Canada:	<b>1-800-461-9166 ext 260</b>
All other countries:	<b>Call your local service representative</b>

Please use the following e-mail address for manual comments, suggestions, or to report an error in this manual:

**E-ESSDocumentation@eaton.com**

## 1.9 Equipment Registration

Please visit [www.eaton.com/pg/register](http://www.eaton.com/pg/register) to register your new Eaton UPS / Eaton UPS Accessory.

**Model Number:**

---

**Serial Number:**

---





## Chapter 2 Safety Warnings

---

### IMPORTANT SAFETY INSTRUCTIONS SAVE THESE INSTRUCTIONS

---

This manual contains important instructions that should be followed during installation and maintenance of the UPS system and batteries. Read all instructions before operating the equipment and save this manual for future reference.

---

The UPS system is designed for industrial or computer room applications, and contains safety shields behind the door and front panels. However, the UPS system is a sophisticated power system and should be handled with appropriate care.

---

#### **DANGER**

This UPS system contains LETHAL VOLTAGES. All repairs and service should be performed by AUTHORIZED SERVICE PERSONNEL ONLY. There are NO USER SERVICEABLE PARTS inside the UPS.

---

#### **WARNING**

- The UPS system is powered by its own energy source (batteries). The output terminals may carry live voltage even when the UPS is disconnected from an AC source.
  - The battery cabinet contains its own energy source. The internal wiring and output terminals may carry live voltage even when the UPS is not connected to an AC source.
  - To reduce the risk of fire or electric shock, install this UPS system in a temperature and humidity controlled, indoor environment, free of conductive contaminants. Ambient temperature must not exceed 40°C (104°F). Do not operate near water or excessive humidity (95% maximum). The system is not intended for outdoor use.
  - As a result of the connected loads high leakage current is possible. Connection to earth ground is required for safety and proper product operation. Do not check UPS system operation by any action that includes removal of the earth (ground) connection with loads attached.
  - Ensure all power is disconnected before performing installation or service.
  - Batteries can present a risk of electrical shock or burn from high short-circuit current. The following precautions should be observed: 1) Remove watches, rings, or other metal objects; 2) Use tools with insulated handles; 3) Do not lay tools or metal parts on top of batteries; 4) Wear voltage rated gloves and electrical hazard footwear.
  - ELECTRIC ENERGY HAZARD. Do not attempt to alter any UPS system or battery wiring or connectors. Attempting to alter wiring can cause injury.
  - Do not open or mutilate batteries. Released electrolyte is harmful to the skin and eyes. It may be toxic.
-

---

 **CAUTION**

---

- Installation or servicing should be performed by qualified service personnel knowledgeable of UPS and battery systems, and required precautions. Keep unauthorized personnel away from equipment. Consider all warnings, cautions, and notes before installing or servicing equipment. DO NOT DISCONNECT the batteries while the UPS is in Battery mode.
- Batteries may only be replaced with the same number and type by authorized service personnel. No user serviceable parts.
- The UPS system has been evaluated for use with a maximum of four 93PM EBCs for an Eaton 93PM 20-50 kW UPS, Eaton 93PM 20-100 kW UPS, Eaton 93PM 20-150 kW UPS, or Eaton 93PM 20-200 kW UPS and a maximum of eight Eaton 93PM IBCs for an Eaton 93PM 100-400 kW UPS. Use of any other configuration may result in fire, death, and voiding of the warranty.
- Disconnect the charging source prior to connecting or disconnecting battery terminals.
- Determine if the battery is inadvertently grounded. If it is, remove the source of the ground. Contacting any part of a grounded battery can cause a risk of electric shock. An electric shock is less likely if you disconnect the grounding connection before you work on the batteries.
- Proper disposal of batteries is required. Refer to local codes for disposal requirements.
- Do not dispose of batteries in a fire. Batteries may explode when exposed to flame.
- Keep the Accessory cabinet doors closed and front panels installed to ensure proper cooling airflow and to protect personnel from dangerous voltages inside the unit.
- Do not install or operate the UPS system close to gas or electric heat sources.
- Lead-acid batteries can present a risk of fire because they generate hydrogen gas. Do not smoke when near batteries. Do not cause flame or spark in battery area. Discharge static electricity from body before touching batteries by first touching a grounded metal surface.
- The operating environment should be maintained within the parameters stated in this manual.
- Operating temperatures above the recommended range will result in decreased battery life and performance, and will reduce or void the battery warranty. Refer to Terms and Conditions of Sale with Battery Replacement Coverage and the Battery Replacement Price Book for more information. These documents can be found at [www.eaton.com/powerquality](http://www.eaton.com/powerquality) or contact your service representative for information on how to obtain copies.
- The shelf life for the batteries installed in the IBC are 8 months from the date code on the battery for the E28, E39, E54, and B37 batteries and 24 months from the date code on the battery for the N54 and H41 batteries. The recharge date is also stated on a label inside the IBC. Failure to recharge the batteries before the expiration of the shelf life will result in reduced discharge time, shorter float service life, and will void the warranty.
- Keep surroundings uncluttered, clean, and free from excess moisture.
- Observe all DANGER, CAUTION, and WARNING notices affixed to the inside and outside of the equipment.

---

 **AVERTISSEMENT!**

---

- Les batteries peuvent présenter un risque de décharge électrique ou de brûlure par des courts-circuits de haute intensité. Prendre les précautions nécessaires.
  - Pour le remplacement, utiliser le même nombre et modèle des batteries.
-

**ATTENTION!**

---

- Une mise au rebut réglementaire des batteries est obligatoire. Consulter les règlements en vigueur dans votre localité.
  - Ne jamais jeter les batteries au feu. L'exposition aux flammes risque de les faire exploser.
  - Les accumulateurs au plomb-acide peuvent représenter un risque d'incendie, car ils génèrent de l'hydrogène gazeux. Ne pas fumer près des accumulateurs. Ne pas produire de flamme ou d'étincelle dans la zone de l'accumulateur. Dissiper l'électricité statique de votre corps en touchant une surface reliée à la terre avant de toucher les accumulateurs.
-

## Safety Warnings

## Chapter 3 Installation Plan and Unpacking

Use the following basic sequence of steps to install the Eaton 93PM Integrated Battery Cabinet-Large (IBC-L) or Integrated Battery Cabinet-Large High Rate (IBC-LH):

1. Create an installation plan for the IBC.
2. Prepare your site for the IBC.
3. Inspect and unpack the IBC.
4. Unload and install the IBC, and wire the system.
5. Complete the Installation Checklist.
6. Have authorized service personnel perform preliminary operational checks and start up the system.



---

**NOTE**

Startup and operational checks must be performed by an authorized Eaton Customer Service Engineer, or the warranty terms specified in [Chapter 8 Warranty](#) become void. This service is offered as part of the sales contract for the UPS. Contact an Eaton service representative in advance (a minimum two-week notice is required) to reserve a preferred startup date.

---

### 3.1 Creating an Installation Plan

Before installing the IBC, read and understand how this manual applies to the system being installed. Use the procedures and illustrations in this section to create a logical plan for installing the IBC. This section contains the following information:

- Physical features and requirements, including dimensions
- Power wiring installation notes
- Location of conduit and wire entry landing plates
- Location of power terminals

### 3.2 Preparing the Site

For the UPS system to operate at peak efficiency, the installation site should meet the environmental parameters outlined in this manual. The operating environment must meet the weight, clearance, and environmental requirements specified.

#### 3.2.1 Environmental and Installation Considerations

The UPS system installation, including the IBC, must meet the following guidelines:

- The system must be installed on a level floor suitable for computer or electronic equipment.
- The system must be operated at an altitude no higher than 1500m (5000 ft) without derating. For additional information and assistance with high altitude operation, contact an Eaton service representative (see paragraph [1.8 Getting Help](#)).
- The system must be installed in a temperature and humidity controlled indoor area free of conductive contaminants.
- Specifications are subject to change

Failure to follow guidelines may void your warranty.

The basic environmental requirements for operation of the IBC are:

- The battery cabinet is rated for operation in up to a 40°C (104°F) ambient temperature.

**i NOTE** Emergency lighting and power equipment battery cabinets (UL924) are rated for operation in a 20°–30°C (68°–86°F) temperature environment.

- The batteries are rated for a 25°C (77°F) ambient temperature to extend their useful life.
- Maximum Relative Humidity: 95%, noncondensing

**⚠ CAUTION**

It is recommended for optimal battery life and discharge performance to keep the ambient air temperature the battery is used in at 25°C (77°F). Operating temperatures above the recommended range will result in decreased battery life and performance, and will reduce or void the battery warranty. Refer to Eaton's Terms and Conditions of Sale with Battery Replacement Coverage and the Battery Replacement Price Book for more information. These documents can be found at [www.eaton.com/powerquality](http://www.eaton.com/powerquality) or contact your service representative for information on how to obtain copies.

**⚠ CAUTION**

The shelf life for the batteries installed in the IBC is 12 months from the date code on the battery. The recharge date is also stated on a label inside the IBC.

Failure to recharge the batteries before the expiration of the shelf life will result in reduced discharge time, shorter float service life, and will void the warranty.

The IBC operating environment must meet the weight requirements shown in [Table 1](#), [Table 2](#), or [Table 3](#) and the size requirements shown in [Figure 4](#) through [Figure 9](#). Dimensions are in millimeters (inches). Specifications are subject to change.

**Table 1. IBC-L Cabinet Weights**

Model	Weight kg (lb)		
	Shipping	Installed	Point Loading
Eaton 93PM Integrated Battery Cabinet-Large with E54 Batteries	2189 (4827)	2144 (4727)	7 at 306 (675)
Eaton 93PM Integrated Battery Cabinet-Large with E39 Batteries	1761 (3883)	1716 (3783)	7 at 245 (540)
Eaton 93PM Integrated Battery Cabinet-Large with E28 Batteries	1467 (3234)	1422 (3134)	7 at 203 (448)
Eaton 93PM Integrated Battery Cabinet-Large with E54 Batteries and sidecar	2231 (4919)	2186 (4819)	7 at 312 (688)
Eaton 93PM Integrated Battery Cabinet-Large with E39 Batteries and sidecar	1803 (3975)	1758 (3875)	7 at 251 (554)
Eaton 93PM Integrated Battery Cabinet-Large with E28 Batteries and sidecar	1508 (3326)	1463 (3226)	7 at 209 (461)

**Table 2. IBC-LH (432V) Cabinet Weights**

Model	Weight kg (lb)		
	Shipping	Installed	Point Loading
Integrated Battery Cabinet-Large High Rate with N54 Batteries	2154 (4749)	2109 (4649)	7 at 301 (664)
Integrated Battery Cabinet-Large High Rate with H41 Batteries	1822 (4018)	1777 (3918)	7 at 254 (560)
Integrated Battery Cabinet-Large High Rate with E54 Batteries	2175 (4796)	2130 (4696)	7 at 304 (671)
Integrated Battery Cabinet-Large High Rate with B37 Batteries	1848 (4076)	1803 (3976)	7 at 258 (568)
Integrated Battery Cabinet-Large High Rate with N54 Batteries and sidecar	2195 (4841)	2150 (4741)	7 at 307 (677)
Integrated Battery Cabinet-Large High Rate with H41 Batteries and sidecar	1864 (4110)	1819 (4010)	7 at 260 (573)
Integrated Battery Cabinet-Large High Rate with E54 Batteries and sidecar	2217 (4888)	2172 (4788)	7 at 310 (684)
Integrated Battery Cabinet-Large High Rate with B37 Batteries and sidecar	1890 (4168)	1845 (4068)	7 at 264 (581)

**Table 3. IBC-LH (480V) Cabinet Weights**

Model	Weight kg (lb)		
	Shipping	Installed	Point Loading
Integrated Battery Cabinet-Large High Rate with H41 Batteries	1932 (4261)	1887 (4161)	7 at 270 (594)
Integrated Battery Cabinet-Large High Rate with B37 Batteries	1961 (4325)	1916 (4225)	7 at 274 (604)
Integrated Battery Cabinet-Large High Rate with H41 Batteries and sidecar	1974 (4353)	1929 (4253)	7 at 276 (608)
Integrated Battery Cabinet-Large High Rate with B37 Batteries and sidecar	2003 (4417)	1958 (4317)	7 at 280 (617)

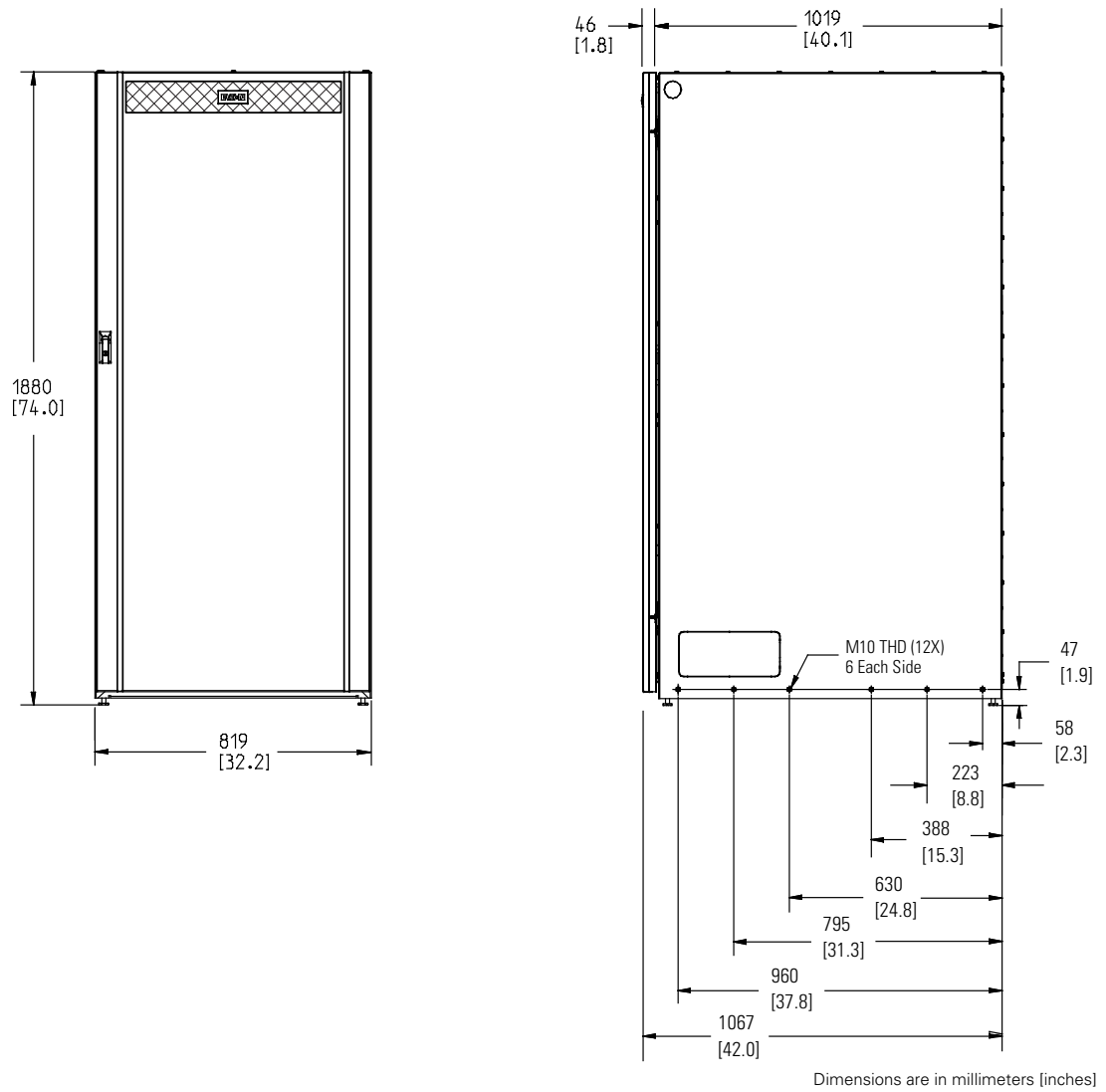
The IBCs use natural convection cooling to regulate internal component temperature. Air inlets are in the front of the cabinet and outlets are on the back or top of the cabinet. Allow clearance in front of, and on back or top of the cabinet for proper air circulation. The clearances required around the IBC cabinet are shown in [Table 4](#).

**Table 4. IBC-L and IBC-LH Cabinet Clearances**

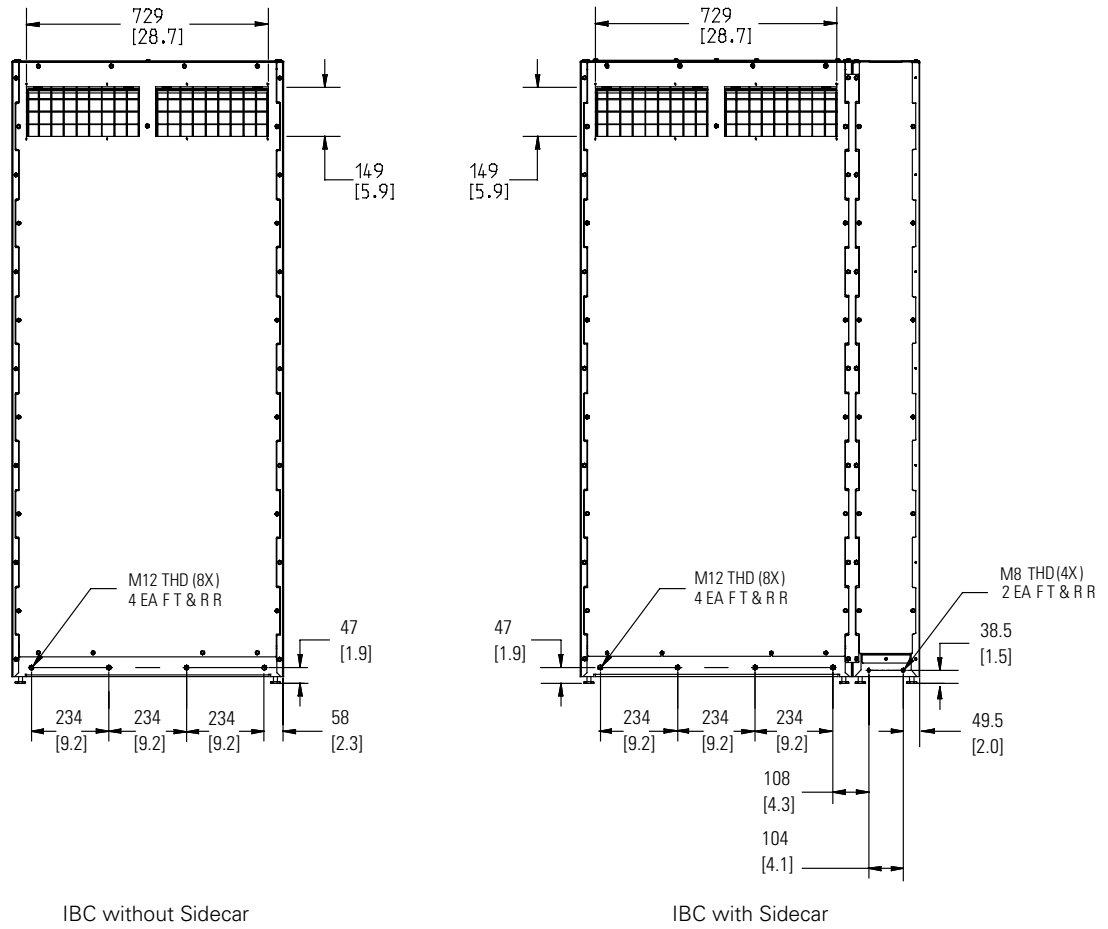
<b>From Top of Cabinet with Rear Exhaust Option</b>	304.8 mm (8") working space
<b>From Top of Cabinet with Top Exhaust Option</b>	304.8 mm (8") minimum clearance for ventilation
<b>From Front of Cabinet</b>	914.4 mm (36") working space
<b>From Back of Cabinet with Top Exhaust Option</b>	None Required
<b>From Back of Cabinet with Rear Exhaust Option</b>	203.2 mm (8") minimum clearance for ventilation
<b>From Back of Cabinet – Seismic Installation</b>	914.4 mm (36") working space
<b>From Right Side of Cabinet</b>	None Required
<b>From Left Side of Cabinet</b>	None Required



**Figure 4. IBC-L or IBC-LH Dimensions (Front and Right Side Views)**



**Figure 5. IBC-L or IBC-LH Dimensions (Rear Views)**



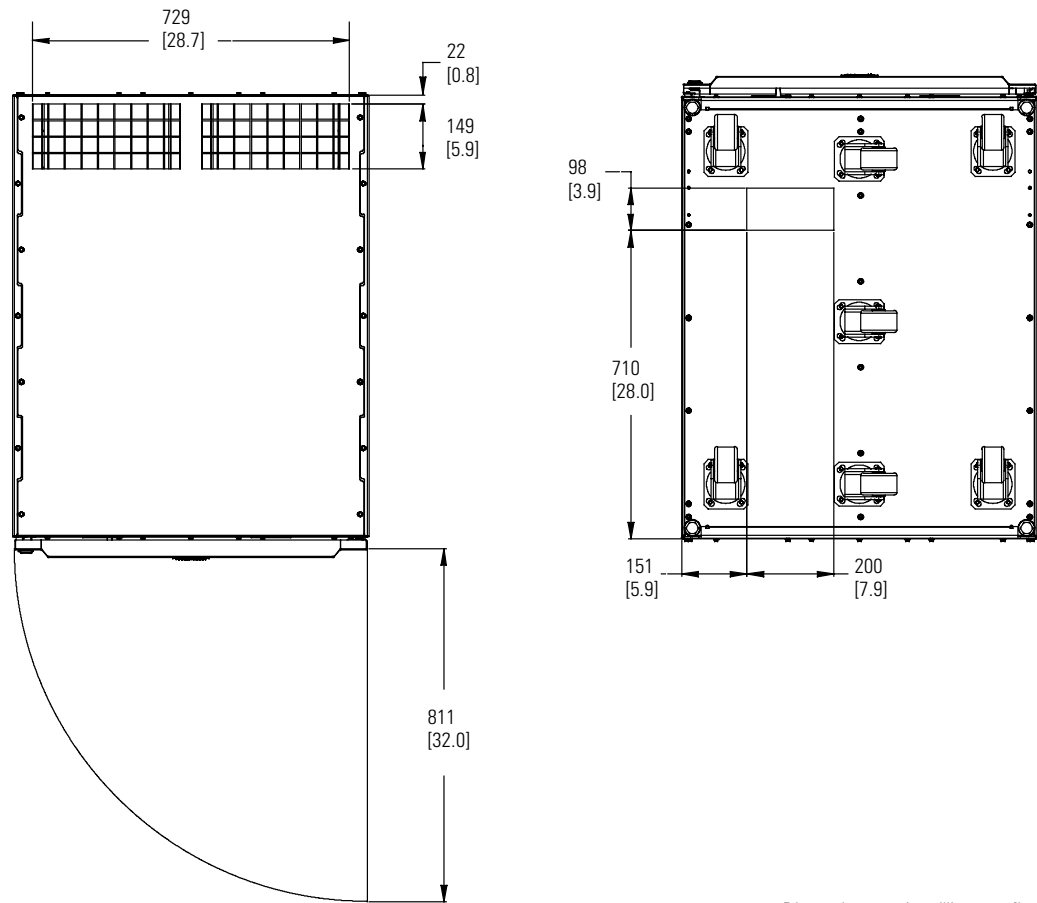
Dimensions are in millimeters (inches)



**NOTE**

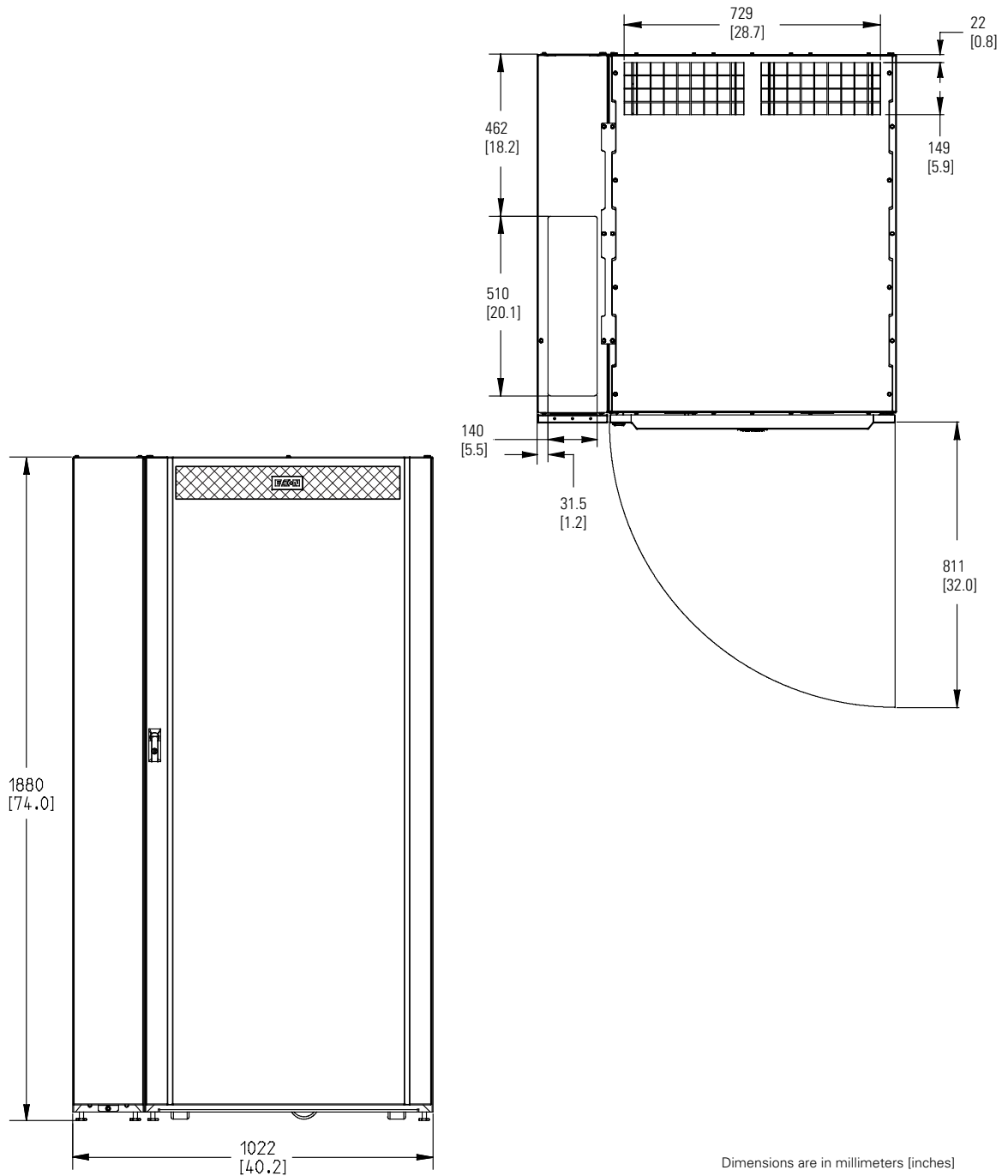
The sidecar is shown factory installed on the left side of the IBC. However, the sidecar can be factory installed on the right side.

**Figure 6. IBC-L or IBC-LH Dimensions (Top and Bottom Views)**



Dimensions are in millimeters [inches]

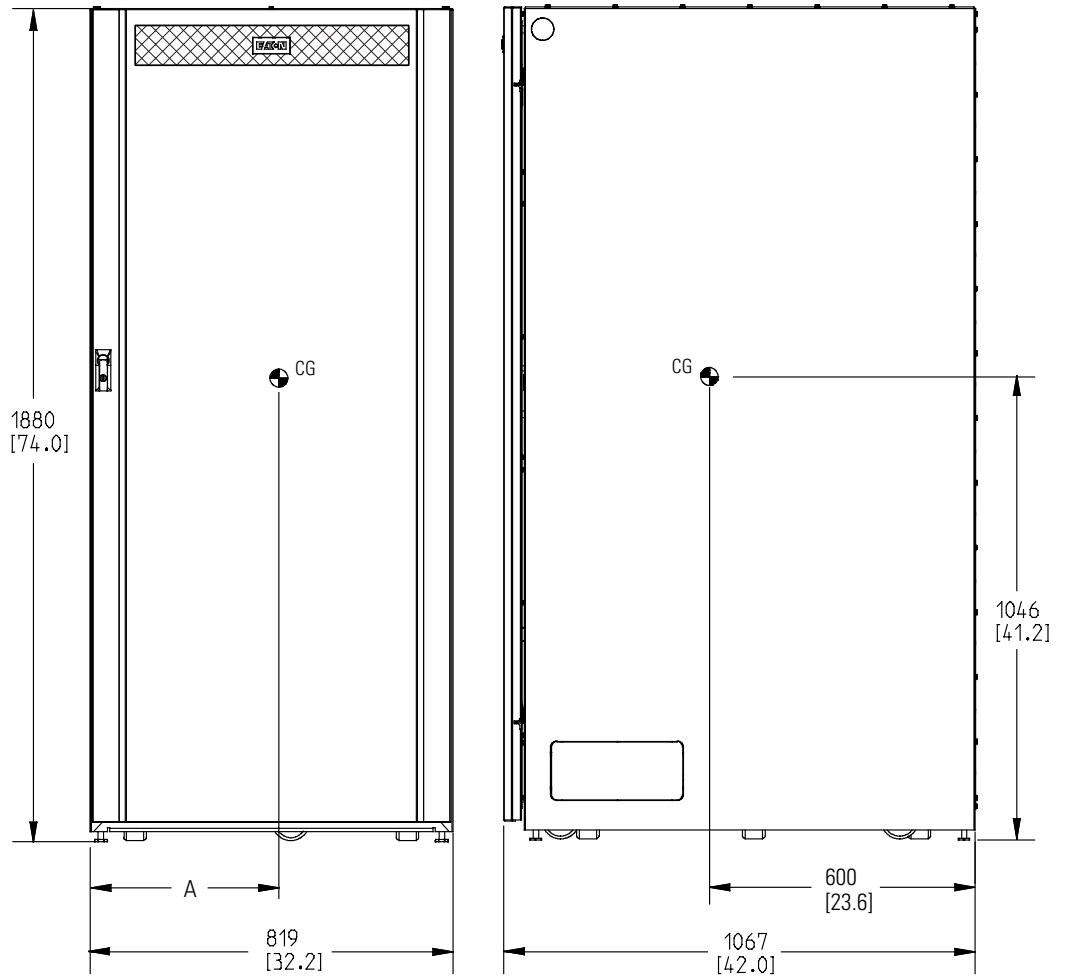
**Figure 7. IBC-L or IBC-LH with Factory Installed Side Car Dimensions (Front and Top View)**



**NOTE**

The sidecar is shown factory installed on the left side of the IBC. However, the sidecar can be factory installed on the right side.

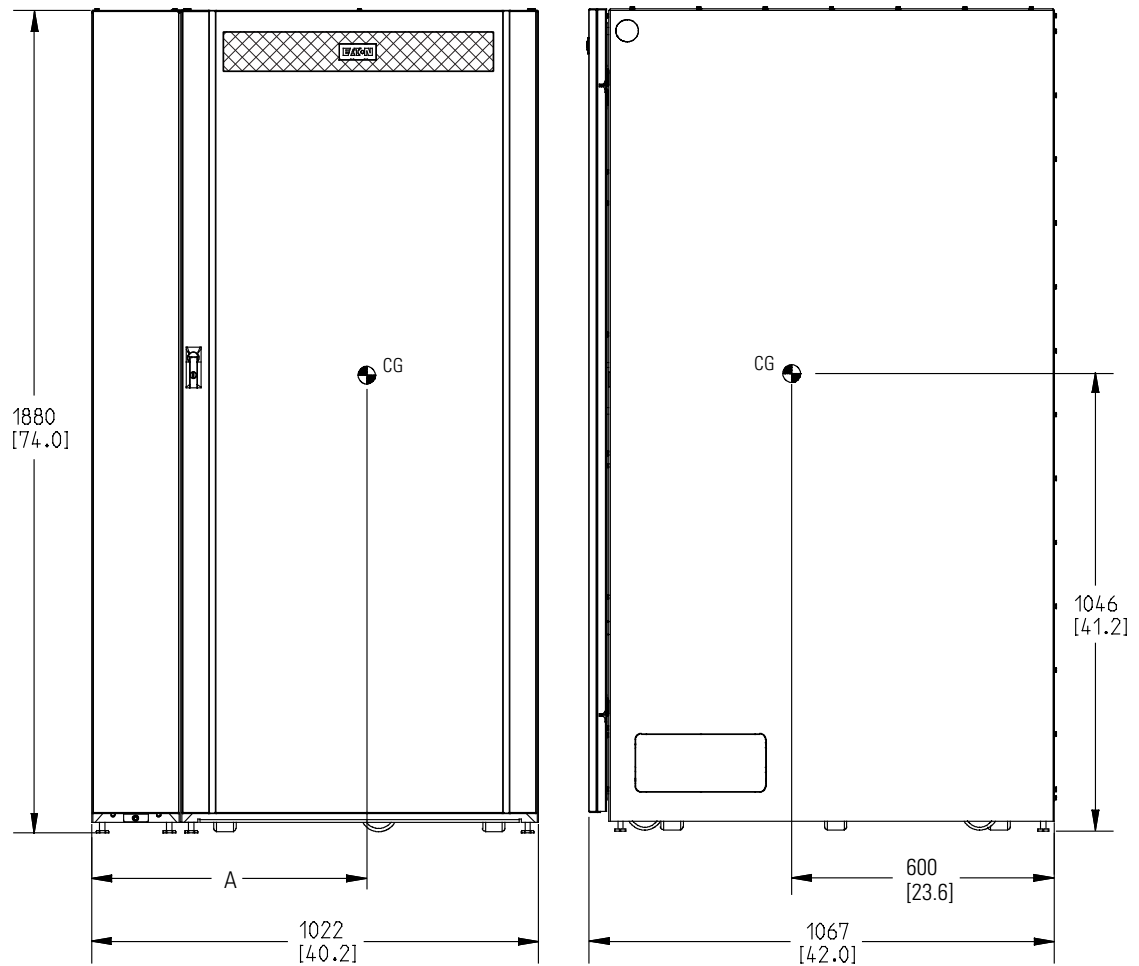
**Figure 8. IBC-L or IBC-LH Center of Gravity**



Dimensions are in millimeters [inches]

Center of Gravity Dimensions, See <a href="#">Figure 8</a> .		
		A MM (IN)
432V	IBC	427 (16.8)
480V	IBC	410 (16.1)

**Figure 9. IBC-L or IBC-LH with Left-Mounted or Right-Mounted Sidecar Center of Gravity**



Dimensions are in millimeters (inches)

Center of Gravity Dimensions, See <a href="#">Figure 9</a> .		
		A MM (IN)
432V	With Left-Mounted Sidecar	612 (24.1)
	With Right-Mounted Sidecar	444 (17.5)
480V	With Left-Mounted Sidecar	602 (23.7)
	With Right-Mounted Sidecar	421 (16.6)

### 3.2.2 IBC Power Wiring Preparation

Read and understand the following notes while planning and performing the installation:

---

 **WARNING**

---

As a result of the connected loads high leakage current is possible. Connection to earth ground is required for safety and proper product operation. Do not check IBC operation by any action that includes removal of the earth (ground) connection with loads attached.

---

- Refer to national and local electrical codes for acceptable external wiring practices.
- Material and labor for external wiring requirements are to be provided by the customer.
- For external wiring, use 75°C copper wire. Wire sizes listed in [Table 5](#), [Table 6](#), and [Table 7](#) are for copper wiring only. If wire is run in an ambient temperature greater than 40°C, higher temperature wire and/or larger size wire may be necessary. Wire sizes are based on using the specified breakers.
- Recommended wire sizes are based on NFPA National Electrical Code® (NEC®)70 Table 310.15(B)(16) 75° C ampacity with 40°C ambient correction factors.
- The battery wiring used between the battery and the UPS for standalone installations should be a maximum of 20 meters (65 feet) with a voltage drop of less than 1% of nominal DC voltage at rated battery current.
- Refer to NEC Article 250 and local codes for proper grounding practices.
- Battery voltage is computed at 2 volts per cell as defined by Article 480 of the NEC. Rated battery current is computed at 2 volts per cell.
- The battery cabinet frame is not referenced to the DC circuit.
- Each battery cabinet has its own overcurrent protection device.
- Internal battery strings are to be connected by an authorized Eaton Customer Service Engineer.
- Refer to the appropriate Eaton 93PM UPS Installation and Operation manual listed in paragraph [1.7 For More Information](#) for UPS cabinet conduit and terminal specifications and locations.
- The term line-up-and-match refers to accessory cabinets that are physically located adjacent to the UPS. The term standalone refers to accessory cabinets that are located separate from the UPS.

For line-up-and-match external power wiring recommendations, including the minimum AWG size of external wiring, see [Table 5](#). For standalone external power wiring recommendations, including the minimum AWG size of external wiring, see [Table 6](#) or [Table 7](#). Wire sizes listed are for copper wiring only.

**Table 5. Line-Up-and-Match External Power Wiring Recommendations – Eaton 93PM IBC-L and 93PM IBC-LH**

<b>Battery Cabinet to UPS</b>					
<b>Model</b>	<b>UPS Model</b>	<b>Number of Cabinets</b>	<b>Terminal</b>	<b>Recommended Conductor Size (AWG or kcmil)</b>	<b>Number per Pole</b>
93PM IBC-L	50 kW	1, 2, 3, or 4	Battery (+)	Factory Supplied	1
	100 kW		Battery (–)	Factory Supplied	1
	150 kW		Ground	#4	one per cabinet
	200 kW				
	400 kW	1, 2, 3, 4, 5, 6, 7, or 8			
93PM IBC-LH	50 kW	1 or 2	Battery (+)	Factory Supplied	2
	100 kW		Battery (–)	Factory Supplied	2
	150 kW		Ground	#1	one per cabinet
	200 kW				
	400 kW	1, 2, 3, or 4			



**NOTE**

Standalone IBC-L installations with three or more IBCs or IBC-LH installations with two or more IBCs require a customer supplied external tie point and circuit breaker or disconnect between the IBCs and the UPS.



**Table 6. Standalone External Power Wiring Recommendations - Eaton 93PM IBC-L**

Model	UPS Model	Number of Cabinets	Terminal	Battery Cabinet to UPS or External Customer Supplied Tie Point and Breaker or Disconnect		Tie Point and Breaker or Disconnect to UPS	
				Recommended Conductor Size for 75°C Copper Wire (AWG or kcmil)	Number per Pole	Recommended Conductor Size (AWG or kcmil)	Number per Pole
93PM IBC-L	50 kW 100 kW	1 or 2	Battery (+)	3/0	2	Not Required	
			Battery (-)	3/0	2	Not Required	
	150 kW 200 kW	3 or 4	Battery (+)	3/0	2	3/0	2
			Battery (-)	3/0	2	3/0	2
			Ground	#4	one per cabinet	#4	one per cabinet
93PM IBC-L	400-2	1, 2, 3, or 4	Battery (+)	3/0	2	Not Required	
			Battery (-)	3/0	2	Not Required	
	400-2	5, 6, 7, or 8	Battery (+)	3/0	2	3/0	2
			Battery (-)	3/0	2	3/0	2
			Ground	#4	one per cabinet	#4	one per cabinet
93PM IBC-L	400-3 400-4	1, 2, 3, or 4	Battery (+)	300	2	Not Required	
			Battery (-)	300	2	Not Required	
	400-3 400-4	5, 6, 7, or 8	Battery (+)	300	2	300	2
			Battery (-)	300	2	300	2
			Ground	#1	one per cabinet	#1	one per cabinet
93PM IBC-L	400-5 400-6 400-7 400-8	1, 2, 3, 4, 5, 6, 7, or 8	Battery (+)	300	2	500	4
			Battery (-)	300	2	500	4
			Ground	#1	one per cabinet	#1	one per cabinet

**Table 7. Standalone External Power Wiring Recommendations - Eaton 93PM IBC-LH**

Model	UPS Model	Number of Cabinets	Terminal	Battery Cabinet to UPS or External Customer Supplied Tie Point and Breaker or Disconnect		Tie Point and Breaker or Disconnect to UPS	
				Recommended Conductor Size for 75°C Copper Wire (AWG or kcmil)	Number per Pole	Recommended Conductor Size (AWG or kcmil)	Number per Pole
93PM IBC-LH	50 kW 100 kW	1 or 2	Battery (+)	300	2	Not Required	
			Battery (-)	300	2	Not Required	
	150 kW 200 kW	3 or 4	Battery (+)	300	2	300	2
			Battery (-)	300	2	300	2
			Ground	#1	one per cabinet	#1	one per cabinet
93PM IBC-LH	400-2	1, 2, 3, or 4	Battery (+)	300	2	Not Required	
			Battery (-)	300	2	Not Required	
	400-2	5, 6, 7, or 8	Battery (+)	300	2	300	2
			Battery (-)	300	2	300	2
			Ground	#1	one per cabinet	#1	one per cabinet
93PM IBC-LH	400-3 400-4	1, 2, 3, or 4	Battery (+)	300	2	Not Required	
			Battery (-)	300	2	Not Required	
	400-3 400-4	5, 6, 7, or 8	Battery (+)	300	2	300	2
			Battery (-)	300	2	300	2
			Ground	#1	one per cabinet	#1	one per cabinet
93PM IBC-LH	400-5 400-6	1, 2, 3, 4,	Battery (+)	300	2	500	4
			5, 6, 7, or 8	Battery (-)	300	2	500
	400-7 400-8	5, 6, 7, or 8		Battery (+)	300	2	500
			Battery (-)	300	2	500	4
		Ground	#1	one per cabinet	#1	one per cabinet	

The power wiring terminals are pressure terminations, UL and CSA rated at 90°C. See [Table 8](#) for external power cable terminations.

[Figure 18](#) through [Figure 23](#) show the location of the IBC power cable terminals.

**Table 8. External Power Cable Terminations – Eaton 93PM IBC-L and 93PM IBC-LH**

Model	Terminal Function	Terminal	Function	Number and Size of Pressure Termination	Tightening Torque Nm (lb in)	Screw Size and Type
IBC-L	DC Output	Battery +	Positive	2 - #6-250 kcmil	31 (275)	5/16" Hex
		Battery –	Negative	2 - #6-250 kcmil	31 (275)	5/16" Hex
IBC-LH	DC Output	Battery +	Positive	2 - #6-350 kcmil	31 (275)	5/16" Hex
		Battery –	Negative	2 - #6-350 kcmil	31 (275)	5/16" Hex
	Customer Ground	Ground	Ground	6 - #14-1/0	5.1 (45)	Slotted

**NOTE** Customer ground, sized in accordance with NEC Table 250.122, can be run in any conduit listed. Refer to the appropriate UPS manual.

External DC input overcurrent protection and disconnect switch for the remote battery location is to be provided by the customer. [Table 9](#) lists the maximum rating for continuous-duty rated circuit breakers satisfying the criteria for both.

**Table 9. Recommended DC Circuit Breaker or Disconnect Ratings (Three or Four IBC-Ls or Two IBC-LHs)**

Model	UPS Model	Input Rating
IBC-L	50 kW	300A
	100 kW	
	150 kW	
	200 kW	
	400 kW	
IBC-LH	50 kW	500A
	100 kW	
	150 kW	
	200 kW	
	400 kW	

### 3.2.3 IBC Interface Wiring Preparation

Control wiring for features and options should be connected at the customer interface terminal blocks located inside the IBC.



#### **WARNING**

Do not directly connect relay contacts to the mains related circuits. Reinforced insulation to the mains is required.

Read and understand the following notes while planning and performing the installation:

- Use Class 1 wiring methods (as defined by the NEC) for interface wiring from 30V to 600V. The wire should be rated for 600V, 1A minimum. 12 AWG maximum wire size.
- Use Class 2 wiring methods (as defined by the NEC) for interface wiring up to 30V. The wire should be rated for 24V, 1A minimum.

- Because of the battery shunt trip wiring route in the 93PM UPS cabinet, the wiring from the IBC to the UPS must use wire rated for 600V and Class 1 wiring methods.
- The battery detect signal wiring from the battery cabinet must be connected to a programmed UPS building alarm.
- Battery detect and 48 Vdc shunt trip wiring should be a minimum of 18 AWG.
- Use twisted-pair wires for each input and return or common.
- All interface wiring and conduit is to be supplied by the customer.
- Interface wiring can be installed using the inter-cabinet wiring access pass-through or by routing wiring through conduit between cabinets.
- Install the interface wiring in separate conduit from the power wiring.

### 3.3 Inspecting and Unpacking the IBC

The cabinet is shipped bolted to a metal and wood pallet (see [Figure 10](#) or [Figure 11](#)), and covered with outer protective packaging material.

**NOTE**

Startup and operational checks must be performed by an authorized Eaton Customer Service Engineer, or the warranty terms specified in [Chapter 8 Warranty](#) become void. This service is offered as part of the sales contract for the UPS. Contact an Eaton service representative in advance (usually a two-week notice is required) to reserve a preferred startup date.

**WARNING**

The IBC is heavy (see [Table 1](#)). If unpacking and unloading instructions are not closely followed, the cabinet may tip and cause serious injury or death.

1. Carefully inspect the outer packaging for evidence of damage during transit.

**CAUTION**

Do not install a damaged cabinet. Report any damage to the carrier and contact an Eaton service representative immediately.

**NOTE**

For the following step, verify that the forklift or pallet jack is rated to handle the weight of the cabinet (see [Table 1](#) for cabinet weight).

2. Use a forklift or pallet jack to move the packaged cabinet to the installation site, or as close as possible, before unpacking. If possible, move the cabinet using the pallet. Insert the forklift or pallet jack forks between the supports on the bottom of the pallet. See [Figure 8](#) or [Figure 9](#) for the IBC-L cabinet center of gravity measurements.

**CAUTION**

Do not tilt the more than 10° from vertical or the cabinets may tip over and cause serious injury or death.

3. Set the pallet on a firm, level surface, allowing a minimum clearance of 3m (10 ft) on each side for removing the cabinet from the pallet.
4. Remove the protective packaging material from the cabinet and recycle in a responsible manner. Retain the parts kit box packed at the top of the cabinet.

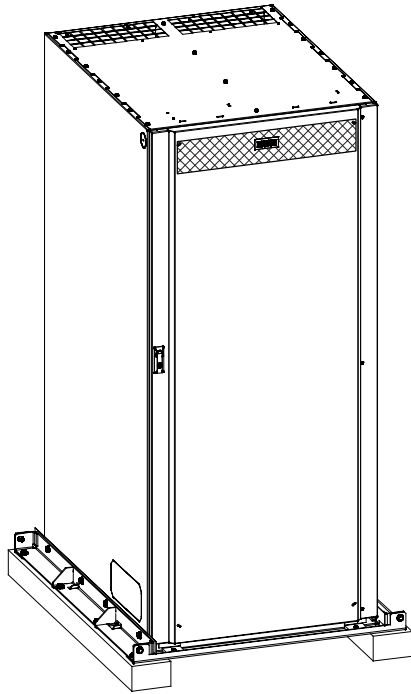
5. Inspect the contents for any evidence of physical damage, and compare each item with the Bill of Lading. If damage has occurred or shortages are evident, contact an Eaton service representative immediately to determine the extent of the damage and its impact on further installation.

**NOTE**

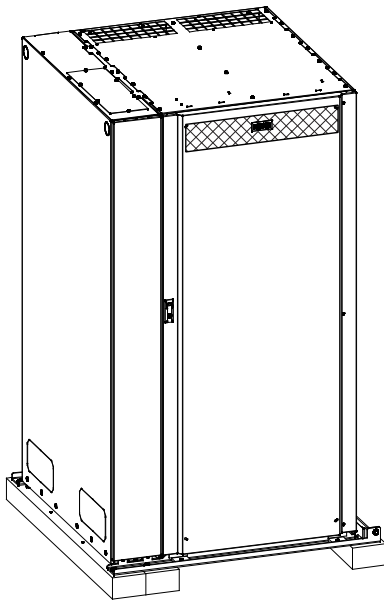
While waiting for installation, protect the unpacked cabinet from moisture, dust, and other harmful contaminants. Failure to store and protect the IBC properly may void the warranty.

---

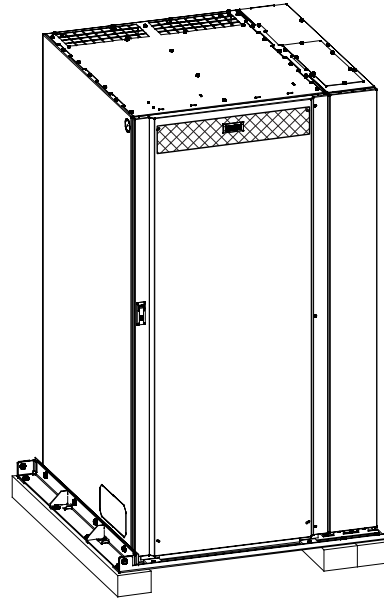
**Figure 10. Eaton 93PM IBC-L or 93PM IBC-LH as Shipped on Pallet**



**Figure 11. Eaton 93PM IBC-L or 93PM IBC-LH with Left or Right-Mounted Sidecar as Shipped on Pallet**



IBC-L or IBC-LH  
with Left-Mounted Sidecar

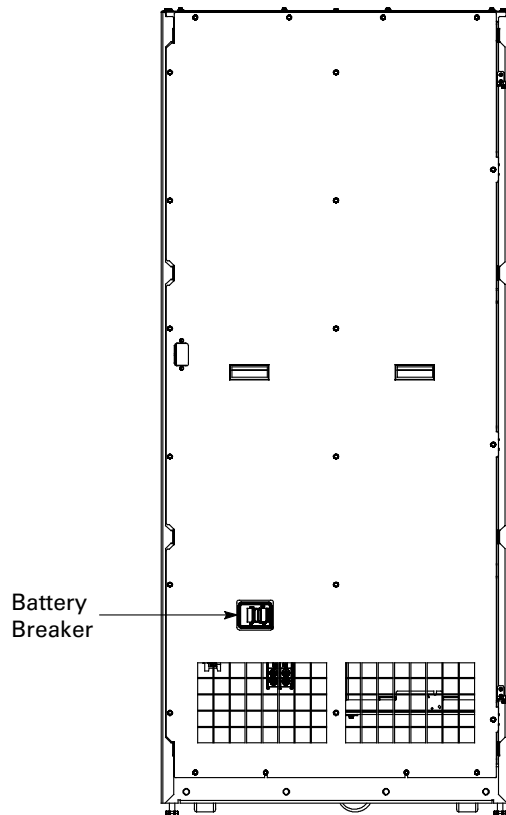


IBC-L or IBC-LH  
with Right-Mounted Sidecar

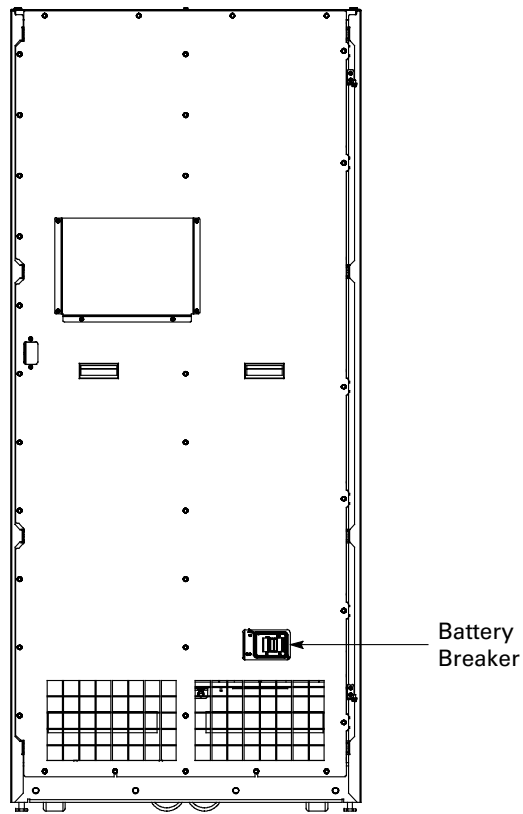
### 3.4 Battery Breaker Location

[Figure 12](#) shows the location of the battery breaker in the 93PM Integrated Battery Cabinet-Large or 93PM Integrated Battery Cabinet-Large High Rate (432V). [Figure 13](#) shows the location of the battery breaker in the 93PM Integrated Battery Cabinet-Large High Rate (480V).

**Figure 12. Eaton 93PM IBC-L or 93PM IBC-LH (432V) Battery Breaker Location – Front View with Door Removed**



**Figure 13. Eaton 93PM IBC-LH (480V) Battery Breaker Location – Front View with Door Removed**





## Chapter 4 Installation

### 4.1 Preliminary Installation Information

---

 **WARNING**

Installation should be performed only by qualified personnel knowledgeable of batteries and the required precautions.

Observe these precautions while installing the Integrated Battery Cabinet (IBC):

- Remove watches, rings, or other metal objects.
- Use tools with insulated handles.
- Wear voltage rated gloves and electrical hazard footwear.
- Do not lay tools or metal parts on top of batteries or battery cabinets.
- Review **Chapter 3 Installation Plan and Unpacking** for cabinet dimensions, equipment weight, wiring and terminal data, and installation notes.

### 4.2 Unloading the IBC Cabinet from the Pallet

---

 **WARNING**

- The IBC is heavy (see [Table 1](#) through [Table 3](#) for cabinet weight).
- RISK OF INSTABILITY. Do not remove any internal panels until the cabinet is removed from and lowered from the pallet.
- Do not tilt cabinet more than 10° from vertical.
- Lift the cabinets only with a forklift or pallet jack or damage may occur.
- Ensure forklift is rated to handle the weight of the cabinet.

**Failure to follow these instructions may result in severe injury or death.**

**NOTE**

For the following procedures, verify that the forklift or pallet jack is rated to handle the weight of the cabinet (see [Table 1](#) through [Table 3](#) for cabinet weight).

The IBC is bolted to a pallet consisting of two metal angle supports and two flat supports secured to two wood supports.

To remove the pallet:

---

 **CAUTION**

Do not use the jacking bolts on a soft surface floor. Use only on a hard surface, such as concrete. If necessary remove pallet on a hard surface and roll cabinet to final installation position.

1. If not already accomplished, use a forklift or pallet jack to move the IBC to the installation area, or as close as possible, before unloading from the pallet. Insert the forklift or pallet jack forks between the supports on the bottom of the pallet (see [Figure 8](#) or [Figure 9](#) for the IBC cabinet center of gravity measurements).
2. Open the front door by lifting the latch from the bottom and turning to the right (counterclockwise) and swinging the door open.

3. Locate the four 1/2" jacking bolts from the parts bag packed inside the front door and install them in the threaded holes in the front and rear supports as shown in [Figure 14](#). Place a floor protector from the parts kit underneath each jacking bolt, and screw the bolts down against them.

The floor protectors protect the floor from being marred by the jacking bolts.

4. Loosen, but do not remove, the skid mounting bolts holding the left, right, front, and rear to the pallet skids (see [Figure 14](#)). **DO NOT** loosen or remove the cabinet mounting bolts or the cabinet support bolts.
5. If a sidecar is installed to the IBC, loosen, but do not remove, the skid mounting bolts holding the pallet skids to the sidecar front and rear supports.

---

 **WARNING**

---

**RISK OF INSTABILITY.** Turning the jacking bolts unevenly may cause the cabinet to become unbalanced. To prevent tipping the cabinet, raise the cabinet no more than 3 mm (1/8") above the floor (just enough to allow the removal of the pallet skids). Failure to follow these instructions can result in serious injury or death.

---

6. Turn each jacking bolt consecutively, two full turns, until the pallet skids clear the floor by approximately 3 mm (1/8").



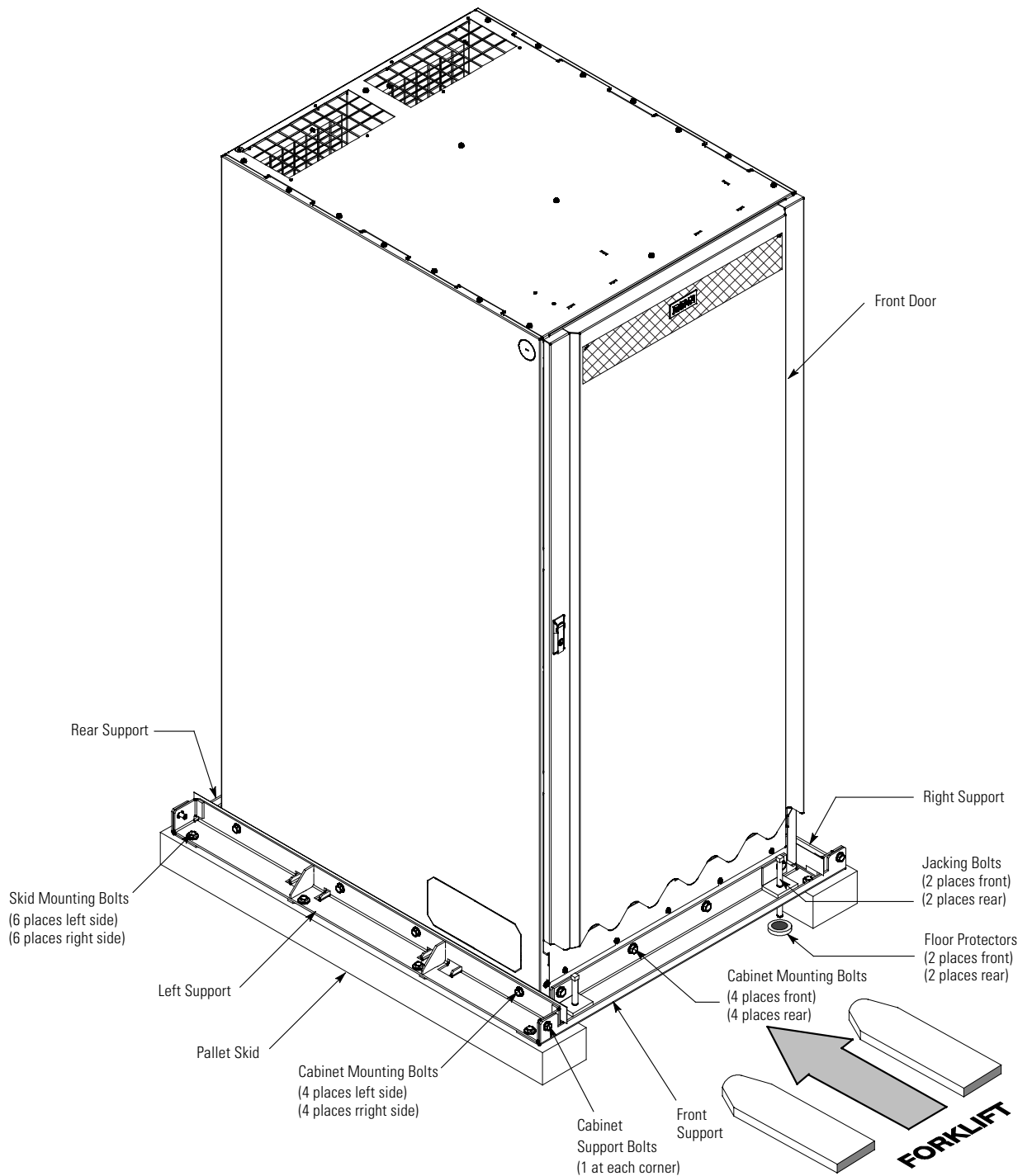
**NOTE**

In the following step the center supports will drop away from the cabinet and the pallet skids when the skids are removed.

---

7. Remove the hardware loosened in [Step 4](#).
8. If a sidecar is installed to the IBC, remove the hardware loosened in [Step 5](#).
9. Pull the two pallet skids out from under the left, right, front, rear, and two center supports. Recycle the pallet skids, supports, and hardware in a responsible manner.

Figure 14. Removing the Pallet Skids and Supports – Eaton 93PM IBC-L



---

 **CAUTION**


---

CABINET MAY FALL. Do not loosen the hardware attaching the front supports to the cabinet base. The cabinet must be lowered by the jacking bolts before the supports can be removed.

---

10. Carefully and evenly **lower the cabinet by turning each jacking bolt consecutively two full turns (maximum)** until the casters contact the floor and the cabinet is no longer supported by the jacking bolts.
11. After the IBC is resting on the floor, remove the jacking bolts and floor protectors. Recycle them in a responsible manner.
12. Remove the cabinet support bolts fastening the left, right, front, and rear supports together (see [Figure 14](#)).
13. Remove the cabinet mounting bolts holding the left, right, front, and rear supports to the cabinet base (see [Figure 14](#)).
14. If a sidecar is installed to the IBC, proceed to [Step 15](#); otherwise, skip to [Step 18](#).
15. Remove the bottom screw securing the sidecar front panel. Lift the panel straight up to remove from the panel hanger brackets at the top of the cabinet.
16. Remove the sidecar support bolts fastening the side support to the front and rear supports.
17. Remove the sidecar mounting bolts holding the front and rear sidecar supports to the cabinet base.
18. Remove the supports. If installing the cabinet permanently, retain the cabinet mounting bolts; otherwise, recycle the bolts along with the support brackets in a responsible manner.
19. Close the door and secure the latch.
20. If the leveling feet are not retracted, turn all four leveling feet until they are retracted as far into the cabinet as possible.

---

 **NOTE** The battery cabinet may be located to either the right or left of the UPS cabinet. The recommended location is to the right of the UPS cabinet. This procedure assumes the battery cabinet is located to the right of the UPS cabinet.

---

21. If line-up-and-match installation, remove the rectangular knockout on the bottom front side of the UPS and the IBC (see [Figure 15](#)).
22. The IBC is shipped set up for rear ventilation with a cover plate installed over the ventilation grill on top of the unit (see [Figure 16](#)). If top ventilation is required, remove the screws securing the plate at the top of the unit and install the plate over the rear ventilation grill (see [Figure 17](#)).

---

 **CAUTION**

---

To prevent tipping when rolling the cabinet, push the cabinet from the rear whenever possible.

---

23. Roll the IBC to the line-up-and-match installation location on the right side of the UPS cabinet making sure the doors are flush with each other or to the standalone installation location.

---

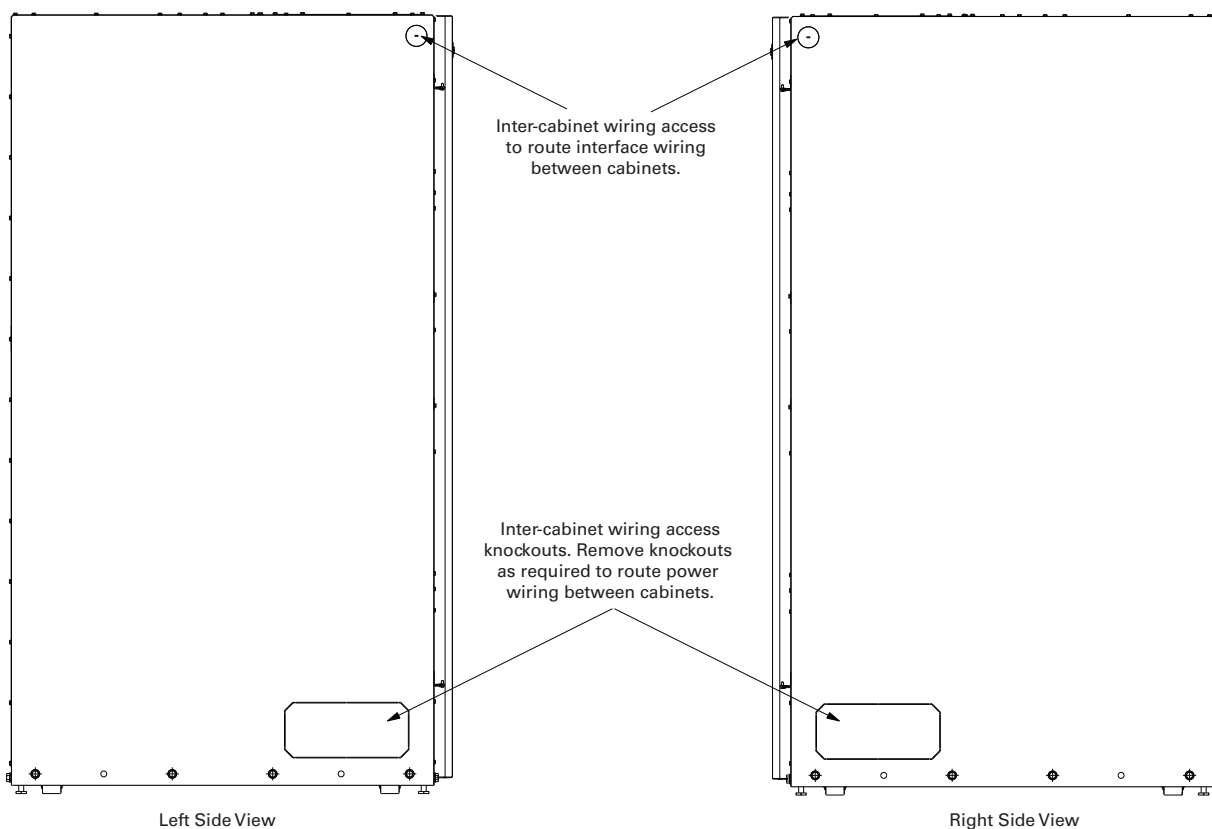
 **NOTE** Use the leveling feet to level and lock the cabinet in place.

---

24. Secure the IBC in position by lowering the leveling feet until the cabinet is level and locked in place.
25. If permanently mounting the IBC, proceed to [Step 26](#); otherwise, skip to [Step 29](#).
26. Locate the two floor mounting brackets from the parts kit.

27. Using the retained cabinet mounting bolts, install the floor mounting brackets to the front and rear of the IBC with the angle facing outward.
28. Secure the cabinet to the floor with customer-supplied hardware.
29. If installing more than one IBC, remove the rectangular knockouts on the bottom front sides the IBCs (see [Figure 15](#)) and repeat [Step 1](#) through [Step 28](#); otherwise, proceed to [Step 30](#). Install additional IBCs on the right or left side of the first IBC.
30. Proceed to paragraph [4.3 Installing IBC Power Wiring](#).

**Figure 15. Line-Up-and-Match Wiring Access Locations**



**Figure 16. Rear Ventilation**

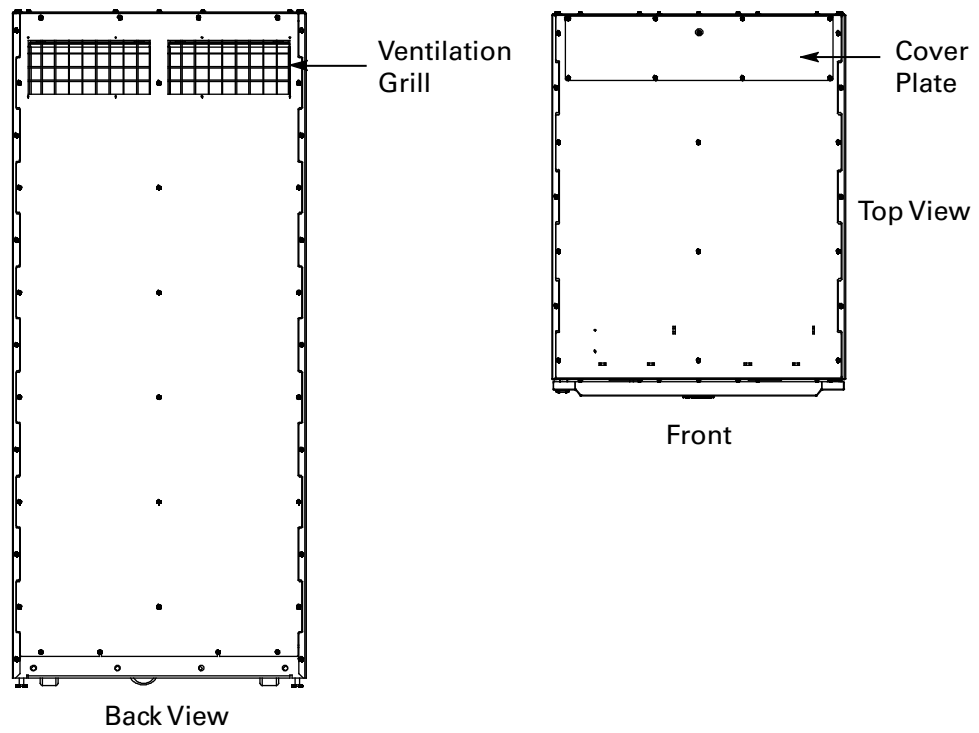
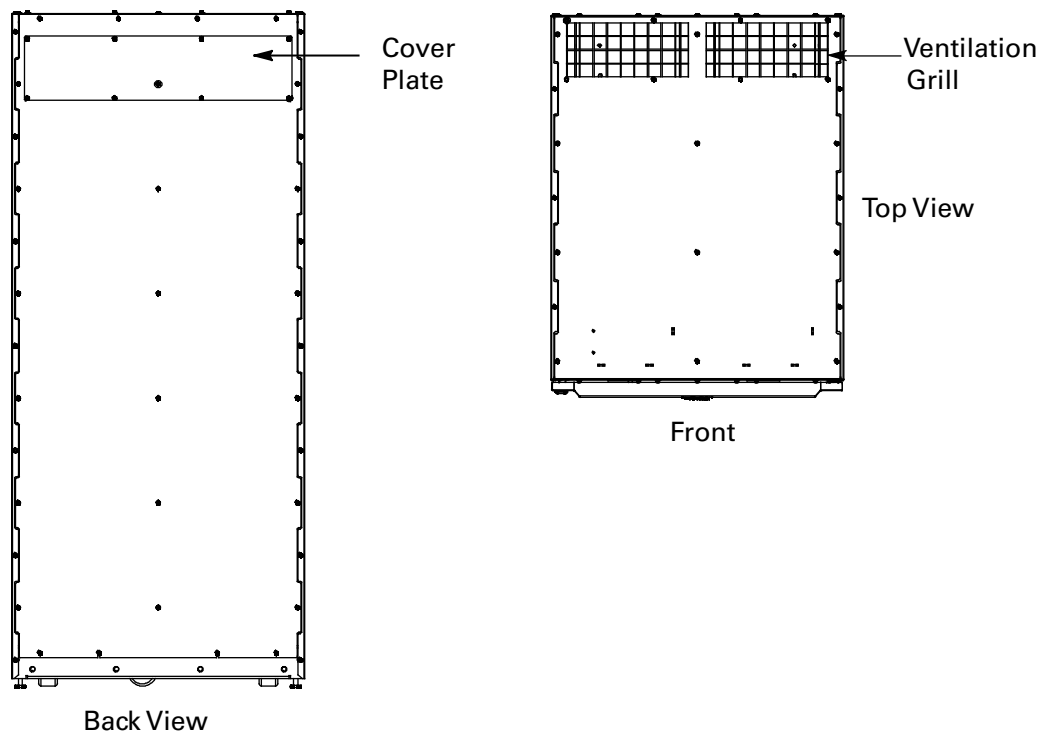


Figure 17. Top Ventilation



### 4.3 Installing IBC Power Wiring

IBCs can be installed in a line-up-and-match configuration with the power wiring routed through the bottom of the IBCs and UPS cabinet or in a standalone configuration with the power wiring routed between the IBCs and the UPS cabinet using conduit. Use the appropriate procedure for the type of installation being wired.

#### 4.3.1 Line-Up-and-Match Power Wiring

**NOTE 1** All battery cabinets will be directly connected to the UPS and not daisy-chained between each cabinet. All power wiring between the IBCs and the UPS is factory supplied.

**NOTE 2** Up to four IBCs can be installed in a line-up-and-match configuration.

**NOTE 3** If installing three or four IBCs, longer battery power cables are packed with IBC 3 and IBC 4. Ensure the longer cables are used to wire IBC 3 and IBC 4.

Use this procedure to wire line-up-and-match 93PM Integrated Battery Cabinets to the 93PM UPS cabinet.


To install wiring to connections:

1. Verify the UPS system is turned off and all power sources are removed. Refer to the applicable Eaton 93PM UPS Installation and Operation manual, listed in paragraph [1.7 For More Information](#), for UPS operating procedures.
2. Open the front door by lifting the latch from the bottom and turning to the right (counterclockwise) and swing the door open.

3. Remove the screws securing the internal safety shield panel and remove the panel to gain access to the battery power terminals. Retain the hardware for later use.

---

**NOTE 1** Line-up-and-match positive and negative battery wiring is factory supplied coiled inside the IBC.

 **NOTE 2** Ferrules are installed on the ends of the factory supplied wiring for the 50 kW, 100 kW, and 150 kW Frame UPS models. Ring lugs are installed on the ends of the factory supplied wiring for the 200 kW and 400 kW Frame UPS models. Do not shorten or cut factory supplied wiring.

---

4. Route the battery wiring (positive, negative, and ground) through the bottom side inter-cabinet access pass-through (see [Figure 15](#)) of the UPS cabinet and IBC to the UPS DC Input and IBC DC Output and ground terminal blocks. See [Figure 18](#), [Figure 20](#), or [Figure 22](#) for terminal locations. See paragraph [3.2.2 IBC Power Wiring Preparation](#), [Table 5](#) through [Table 8](#) for wiring and termination requirements. Refer to the applicable Eaton 93PM UPS Installation and Operation manual, listed in paragraph [1.7 For More Information](#), for the UPS terminal locations and termination requirements.

---

 **WARNING**


---

Verify polarity of connections. Risk of personal injury and damage to equipment from arc flash if connections are reversed.

---

5. Connect the positive and negative power wiring to the IBC DC (+) and IBC DC (-) output terminals on the IBC. Connect the ground wiring to the ground terminal on the IBC.  
For a detailed view of the IBC terminal block, see [Figure 19](#), [Figure 21](#), or [Figure 23](#).
6. Connect the positive, negative, and ground DC power wiring from the battery cabinet or disconnect to the UPS cabinet battery and ground terminals.
7. Route the other end of the battery wiring (positive, negative, and ground) to the UPS cabinet external battery input and ground terminals. Refer to the applicable Eaton 93PM UPS Installation and Operation manual listed in paragraph [1.7 For More Information](#), for UPS cabinet terminal locations and termination requirements.
8. Connect the positive, negative, and ground power wiring to the UPS cabinet external battery input and ground terminals. Refer to the applicable Eaton 93PM UPS Installation and Operation manual, listed in paragraph [1.7 For More Information](#), for UPS cabinet termination requirements.


---

 **NOTE** Route the battery wiring between the UPS and subsequent IBCs through the bottom of the adjacent IBC.

---

9. If installing more than one IBC, repeat [Step 4](#) through [Step 8](#) for each IBC, and then proceed to paragraph [4.4 Battery Breaker Instantaneous Trip Setting](#); otherwise, skip to paragraph [4.5 Installing IBC Interface Wiring](#).

---

 **NOTE** Internal battery strings are to be connected by an authorized Eaton Customer Service Engineer at system startup.

---



Figure 18. DC Power Terminal Locations – Eaton 93PM IBC-L (432V)

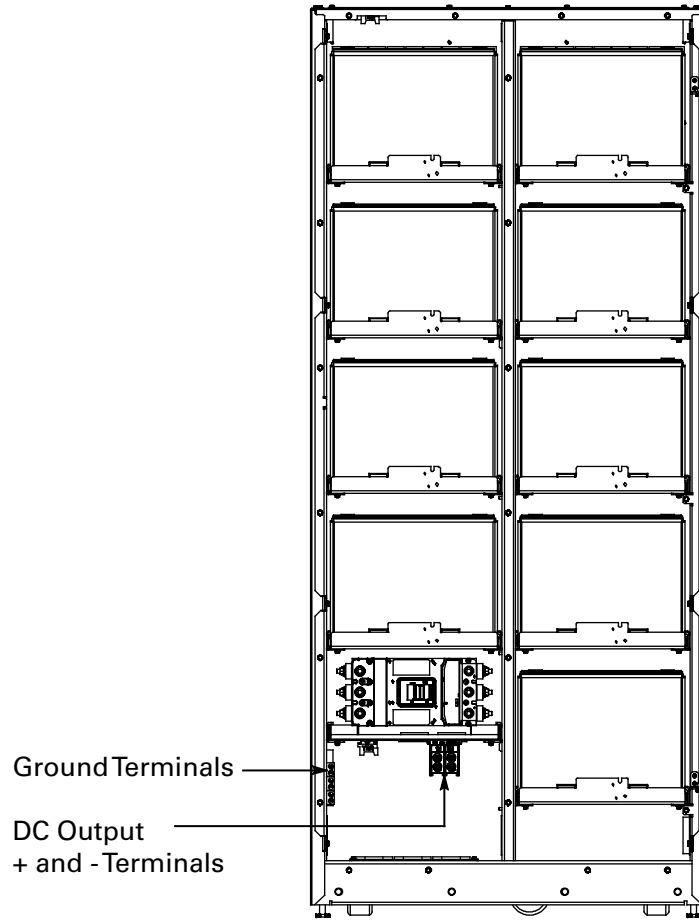


Figure 19. DC Power Terminal Detail – Eaton 93PM IBC-L (432V)

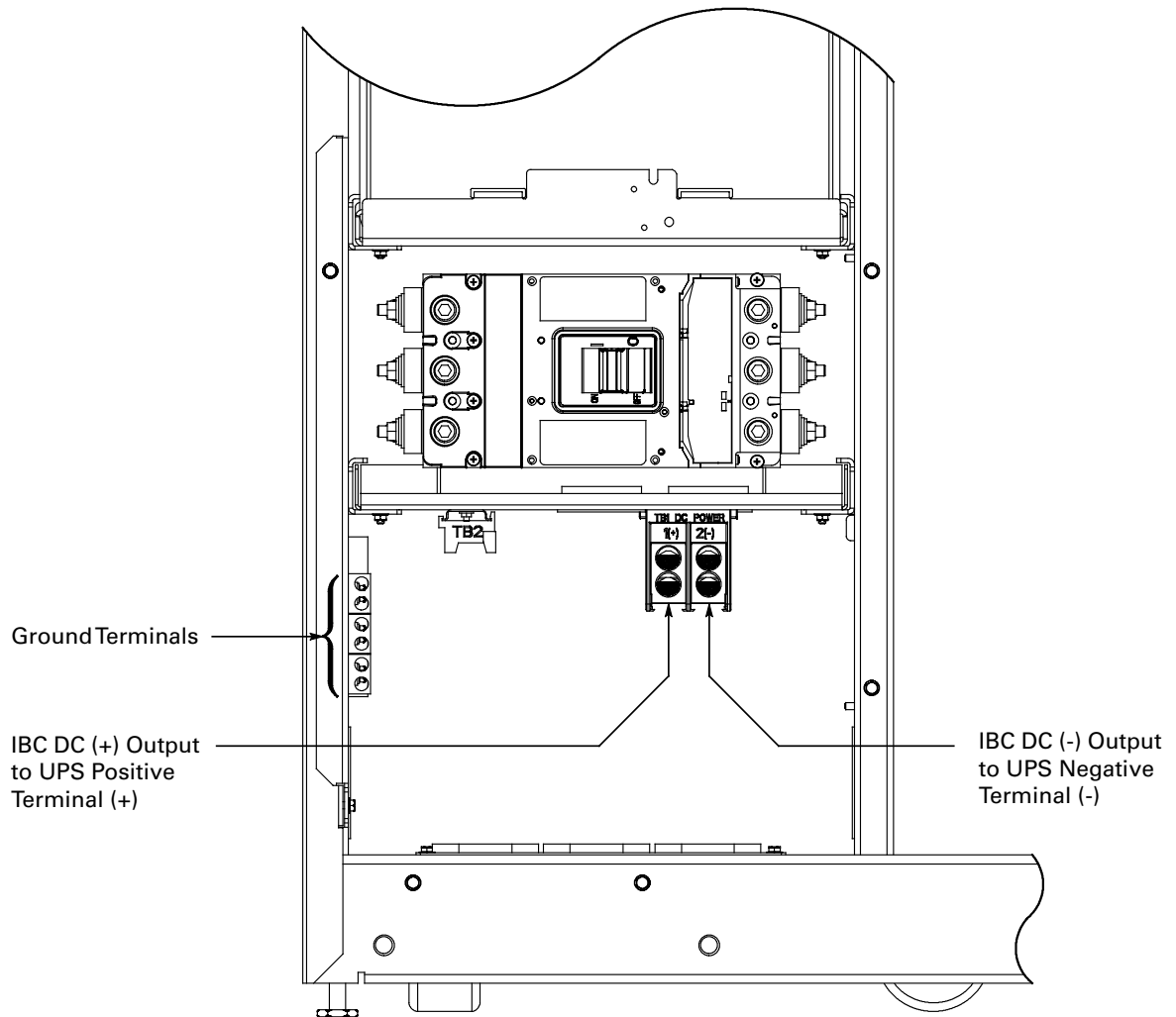


Figure 20. DC Power Terminal Locations – Eaton 93PM IBC-LH (432V)

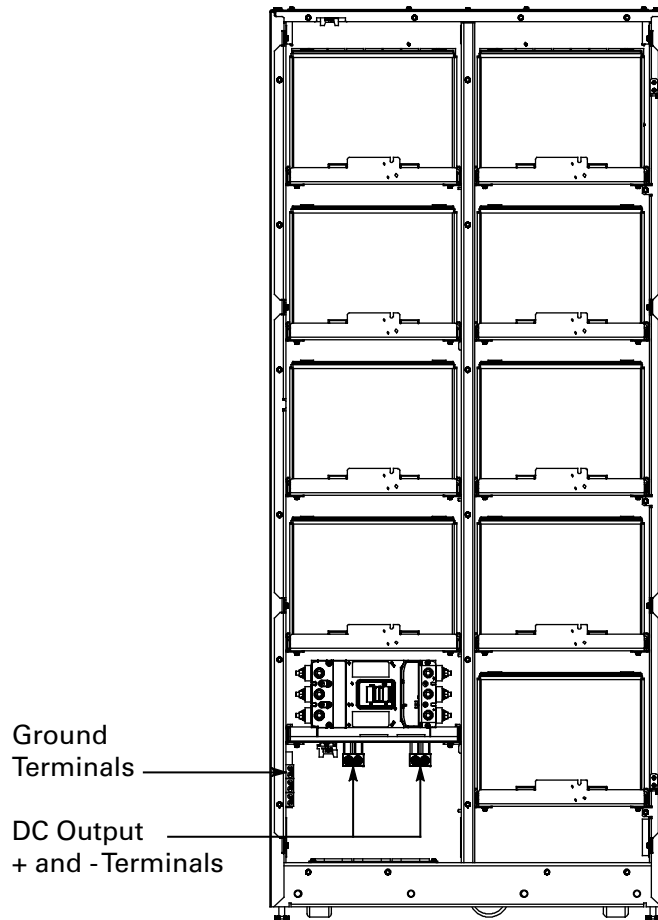


Figure 21. DC Power Terminal Detail – Eaton 93PM IBC-LH (432V)

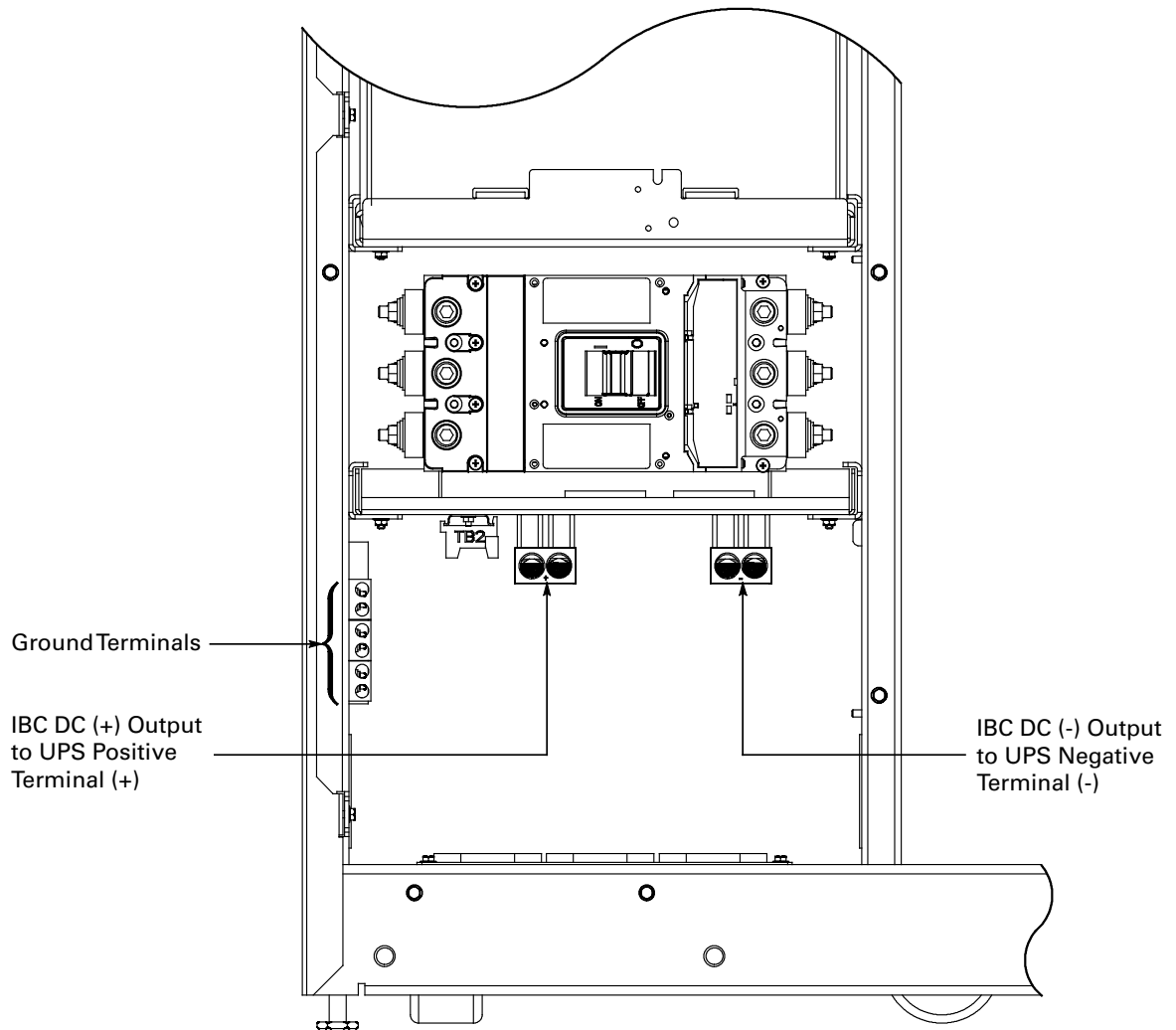
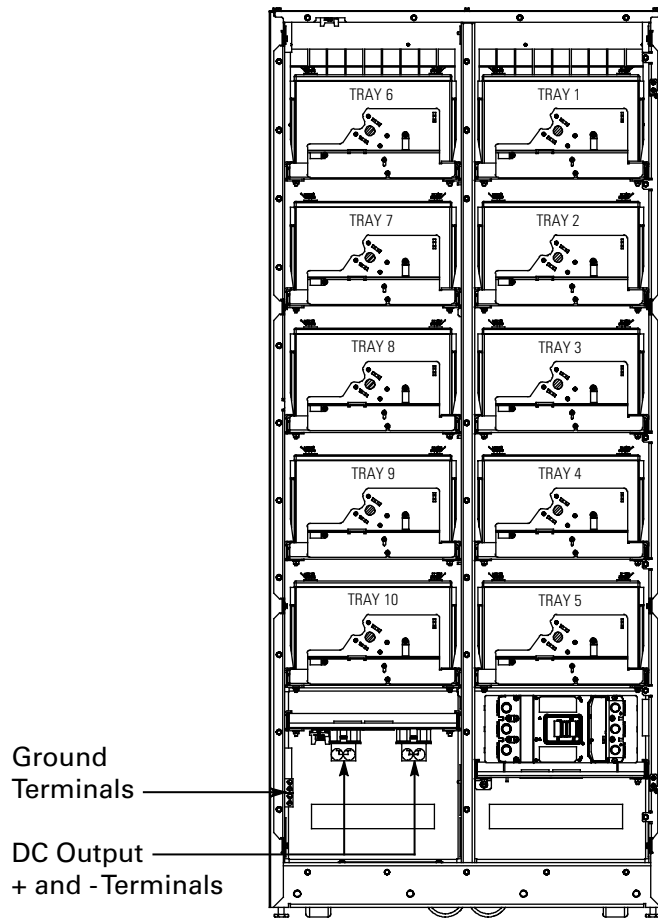
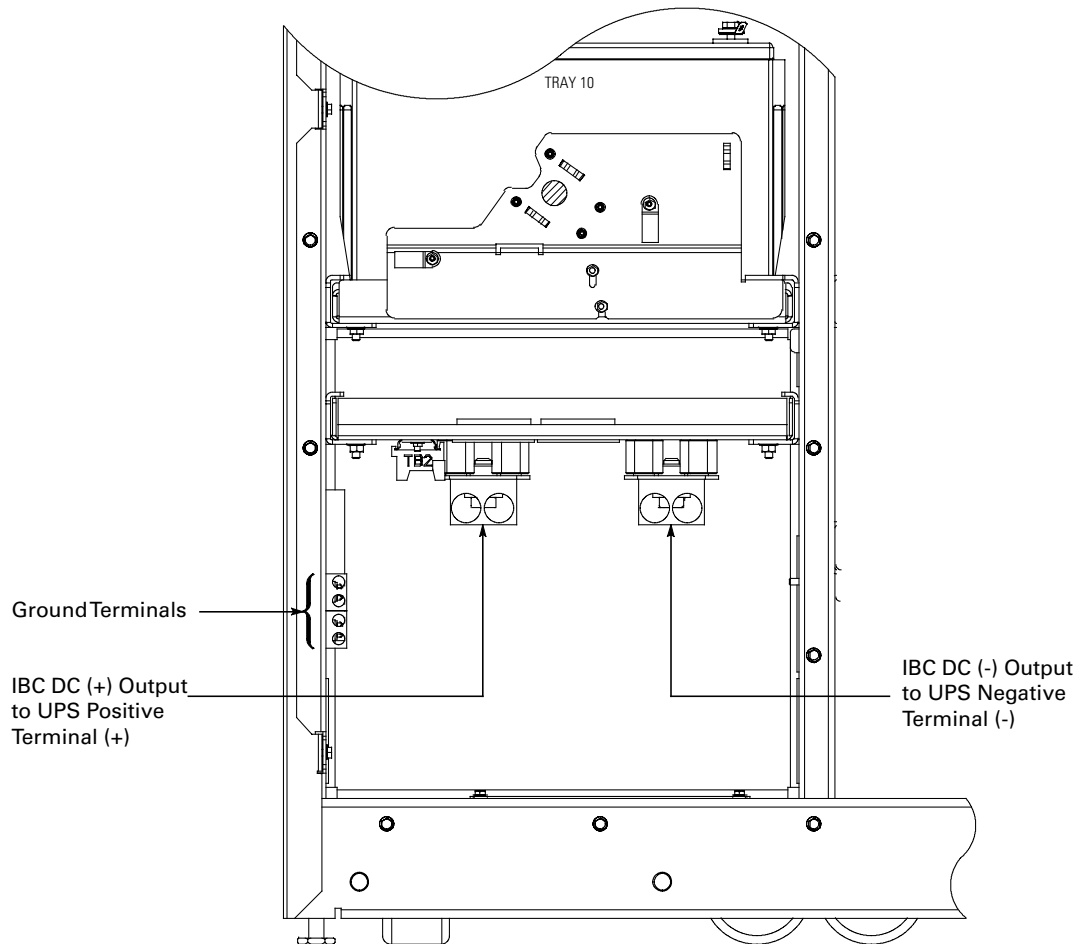


Figure 22. DC Power Terminal Locations – Eaton 93PM IBC-LH (480V)



**Figure 23. DC Power Terminal Detail – Eaton 93PM IBC-LH (480V)**



### 4.3.2 Standalone Power Wiring

- 
- NOTE 1** Standalone IBC installations with three or four IBCs require a customer supplied external tie point and circuit breaker or disconnect between the IBCs and the UPS.
  - NOTE 2** Up to four IBCs can be installed in a standalone configuration.
- 

Use this procedure to wire standalone 93PM Integrated Battery Cabinets to the 93PM UPS cabinet.

To install wiring to connections:

1. Verify the UPS system is turned off and all power sources are removed. Refer to the applicable Eaton 93PM UPS Installation and Operation manual, listed in paragraph [1.7 For More Information](#), for UPS operating procedures.
2. Open the front door by lifting the latch from the bottom and turning to the right (counterclockwise) and swing the door open.

3. Remove the screws securing the internal safety shield panel (dead front) and remove the panel to gain access to the battery power terminals. Retain the hardware for later use.
4. If wiring the IBC using the top entry sidecar, proceed to [Step 10](#); otherwise proceed to [Step 5](#).
5. **Bottom Entry Wiring.** Remove the bottom conduit plate (see [Figure 24](#)) from the inside bottom of the IBC. Identify all conduit requirements and mark their location. Drill and punch all conduit holes in the bottom conduit plate prior to mounting on the IBC. Install the conduit plate and install all conduit runs into the plate. Pull the wiring through the conduit into the wiring areas.
6. Route the battery wiring (positive, negative, and ground) from the UPS DC Input terminals or DC disconnect tie point through the bottom of the IBC to the IBC DC Output and ground terminal blocks. See [Figure 18](#), [Figure 20](#), or [Figure 22](#) for terminal locations. See paragraph [3.2.2 IBC Power Wiring Preparation](#), [Table 5](#) or [Table 6](#), and [Table 7](#) for wiring and termination requirements. Refer to the applicable Eaton 93PM UPS Installation and Operation manual, listed in paragraph [1.7 For More Information](#), for the UPS terminal locations and termination requirements.
7. Connect the positive and negative power wiring to the IBC DC (+) and DC (-) output terminals on the IBC. Connect the ground wiring to the ground terminal on the IBC.  
  
For a detailed view of the IBC terminal block, see [Figure 19](#), [Figure 21](#), or [Figure 23](#).
8. Connect the positive, negative, and ground DC power wiring from the IBC or disconnect to the UPS cabinet battery and ground terminals.
9. If installing more than one IBC, repeat [Step 5](#) through [Step 8](#) for each IBC, and then proceed to paragraph [4.4 Battery Breaker Instantaneous Trip Setting](#); otherwise, skip to paragraph [4.5 Installing IBC Interface Wiring](#).
10. If not already accomplished, remove the bottom screw securing the sidecar front panel. Lift the panel straight up to remove from the panel hanger brackets at the top of the cabinet.
11. Remove the screws securing the sidecar internal safety shield panel and remove the panel to gain access to the interior of the sidecar and the IBC inter-cabinet wiring access pass-through. Retain the hardware for later use.

**NOTE**

If installing more than one IBC, route the battery wiring from subsequent IBCs through the bottom of the adjacent IBCs to the IBC sidecar.

---

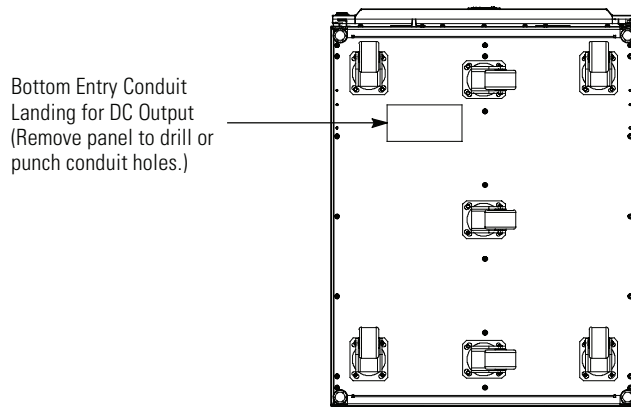
12. **Top Entry Wiring.** Remove the top conduit plate (see [Figure 25](#)) from the top of the IBC sidecar. Identify all conduit requirements and mark their location. Drill and punch all conduit holes in the top conduit plate prior to mounting on the sidecar. Install the conduit plate and install all conduit runs into the plate. Pull the wiring through the conduit into the wiring area.
13. Route the battery wiring (positive, negative, and ground) from the UPS DC Input terminals or DC disconnect tie point through the top of the IBC sidecar and the IBC inter-cabinet wiring access pass-through to the IBC DC Output and ground terminal blocks.
14. Connect the positive and negative power wiring to the IBC DC (+) and DC (-) output terminals on the IBC. Connect the ground wiring to the ground terminal on the IBC.  
  
For a detailed view of the IBC terminal block, see [Figure 19](#), [Figure 21](#), or [Figure 23](#).
15. Connect the positive, negative, and ground DC power wiring from the IBC or disconnect to the UPS cabinet battery and ground terminals.
16. If installing more than one IBC, repeat [Step 12](#) through [Step 15](#) for each IBC, and then proceed to paragraph [4.4 Battery Breaker Instantaneous Trip Setting](#); otherwise, skip to paragraph [4.5 Installing IBC Interface Wiring](#).

**NOTE**

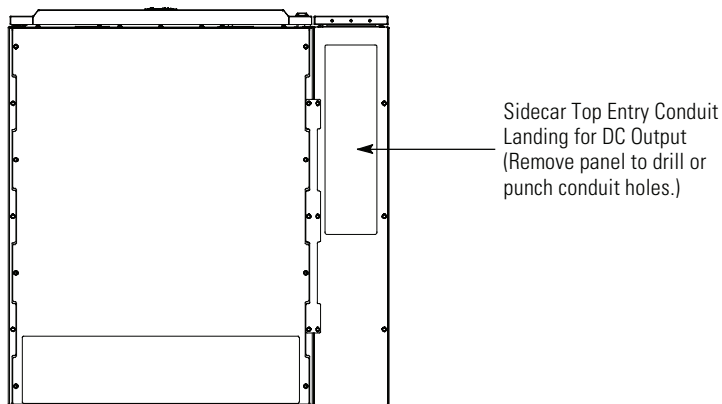
Internal battery strings are to be connected by an authorized Eaton Customer Service Engineer at system startup.

---

**Figure 24. IBC Bottom Entry Conduit and Wire Entry Locations**




**Figure 25. IBC Sidecar Top Entry Conduit and Wire Entry Locations**



#### 4.4 Battery Breaker Instantaneous Trip Setting

---

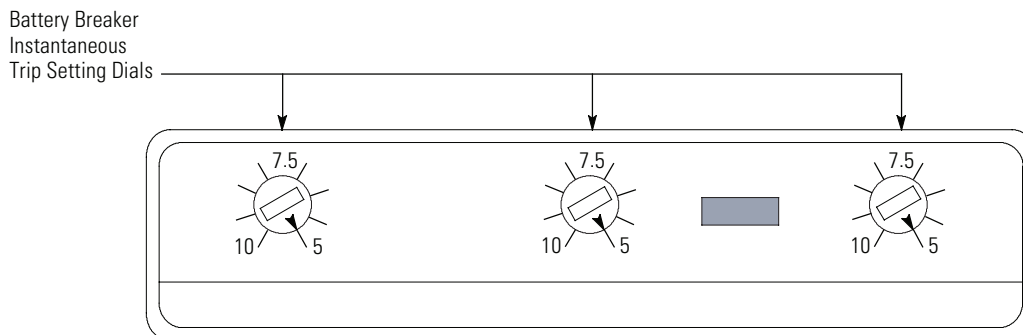
**NOTE**  The specified default instantaneous trip setting provides the maximum protection for the batteries. Failure to adhere to 5x instantaneous trip setting voids the battery warranty.

---

To verify the trip setting:

1. Verify the UPS system is not in reserve mode or operating on battery. Refer to the applicable Eaton 93PM UPS Installation and Operation manual, listed in paragraph [1.7 For More Information](#), for UPS operating procedures.
2. Verify the battery breaker instantaneous trip setting is set to 5 on all three trip dials (see [Figure 26](#)).
3. If dials are not set to 5, set each to 5.
4. Proceed to paragraph [4.5 Installing IBC Interface Wiring](#).



**Figure 26. Battery Breaker Instantaneous Trip Setting Dials**

## 4.5 Installing IBC Interface Wiring

IBCs can be installed in a line-up-and-match configuration with the interface wiring routed through the IBCs and UPS cabinet or in a standalone configuration with the interface wiring routed between the IBCs and the UPS cabinet using conduit.

### 4.5.1 Installing Battery Detect Interface Connections

**NOTE 1** Disconnect terminal block plug from terminal block to wire plug.

**i NOTE 2** If the inter-cabinet wiring access pass-through is not used to install the battery detect interface wiring connections, conduit must be installed between the battery cabinet and the UPS cabinet.

To install wiring:

1. If wiring the IBC battery detect interface terminals using line-up-and-match wiring using the inter-cabinet wiring access pass-through (see [Figure 15](#)) proceed to [Step 2](#); if wiring the IBC battery detect interface terminals using the top entry access, proceed to [Step 4](#); if wiring the IBC battery detect interface terminals using the bottom entry access, proceed to [Step 7](#).

**i NOTE** In multiple IBC installations, route the battery interface wiring between IBCs through the top of the adjacent IBC using the top inter-cabinet access pass-through (see [Figure 15](#)).

2. **Line-Up-and-Match Wiring.** Route the battery detect interface wiring from the UPS battery detect (building alarm) interface terminals through the top inter-cabinet access pass-through (see [Figure 15](#)) of the UPS cabinet and IBC to the IBC battery interface terminal block TB3. See [Figure 27](#) or [Figure 28](#) for terminal locations. See paragraph [3.2.2 IBC Power Wiring Preparation](#), [Table 10](#) or [Table 11](#), and [Figure 29](#) for wiring and termination requirements. Refer to the applicable Eaton 93PM UPS Installation and Operation manual listed in paragraph [1.7 For More Information](#), for UPS cabinet terminal locations.
3. Proceed to [Step 9](#).
4. **Top Entry Wiring.** Remove the top conduit plate (see [Figure 25](#)) from the top of the IBC sidecar. Identify all conduit requirements and mark their location. Drill and punch all conduit holes in the top conduit plate prior to mounting on the IBC. Install the conduit plate and install all conduit runs into the plate. Pull the wiring through the conduit into the wiring area.

**i NOTE** In multiple IBC installations, route the battery interface wiring between IBCs through the top of the adjacent IBC using the top inter-cabinet access pass-through (see [Figure 15](#)).

5. Route the battery detect interface wiring from the UPS battery detect (building alarm) interface terminals through the top of the IBC sidecar and the top IBC inter-cabinet wiring access pass-through (see [Figure 15](#)) to the IBC battery interface terminal block TB3.
6. Proceed to [Step 9](#).
7. **Bottom Entry Wiring.** Remove the bottom conduit plate (see [Figure 24](#)) from the inside bottom of the IBC. Identify all conduit requirements and mark their location. Drill and punch all conduit holes in the bottom conduit plate prior to mounting on the IBC. Install the conduit plate and install all conduit runs into the plate. Pull the wiring through the conduit into the wiring areas.

**NOTE**

In multiple IBC installations, route the battery interface wiring between IBCs through the top of the adjacent IBC using the top inter-cabinet access pass-through (see [Figure 15](#)).

---

8. Route the battery detect interface wiring from the UPS battery detect (building alarm) interface terminals through the bottom of the IBC to the IBC battery interface terminal block TB2.
9. Connect the battery detect interface wiring to the IBC battery detect interface terminals. See paragraph [3.2.2 IBC Power Wiring Preparation](#) and [Table 12](#) for termination requirements.  
For a detailed view of the IBC terminal block, see [Figure 30](#) or [Figure 31](#).
10. Connect the battery detect interface wiring to the UPS battery detect interface (building alarm) terminals. Refer to the applicable Eaton 93PM UPS Installation and Operation manual listed in paragraph [1.7 For More Information](#), for UPS cabinet termination requirements.
11. Proceed to paragraph [4.5.2 Installing Battery Shunt Trip Interface Connections](#).

Figure 27. Interface Terminal Locations – Eaton 93PM IBC-L (432V) or 93PM IBC-LH (432V)

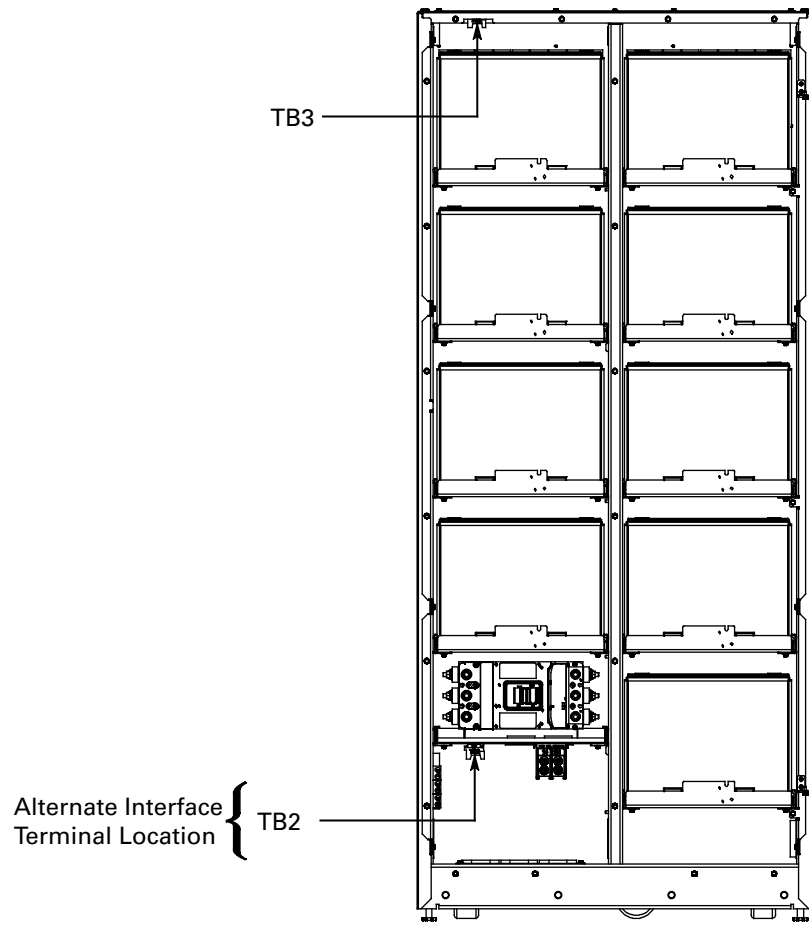
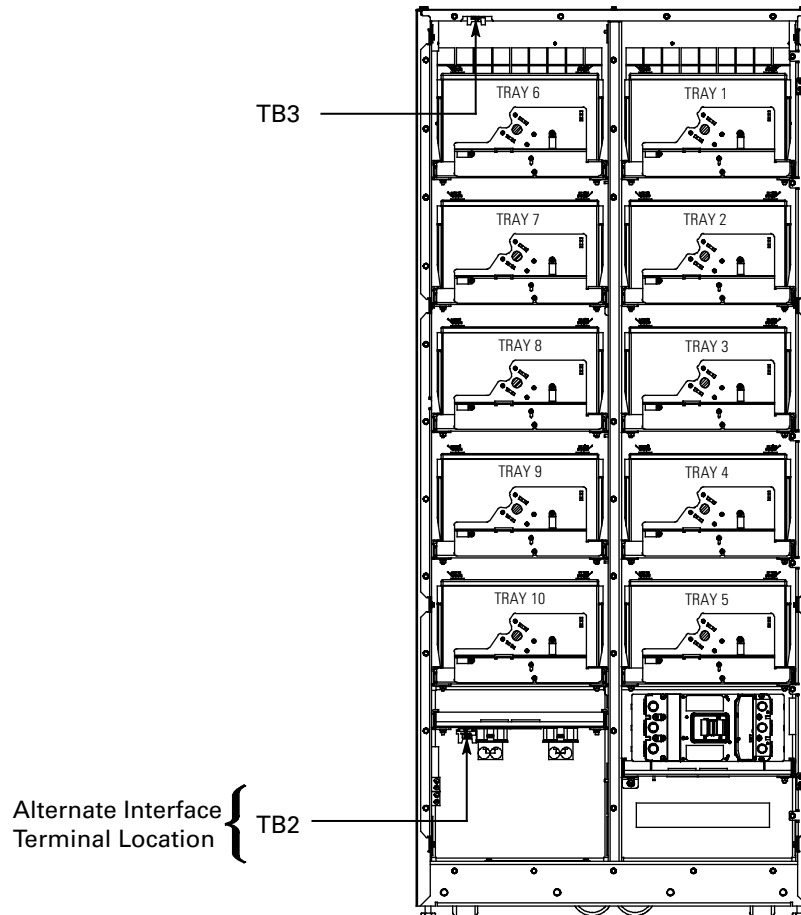


Figure 28. Interface Terminal Locations – Eaton 93PM IBC-LH (480V)

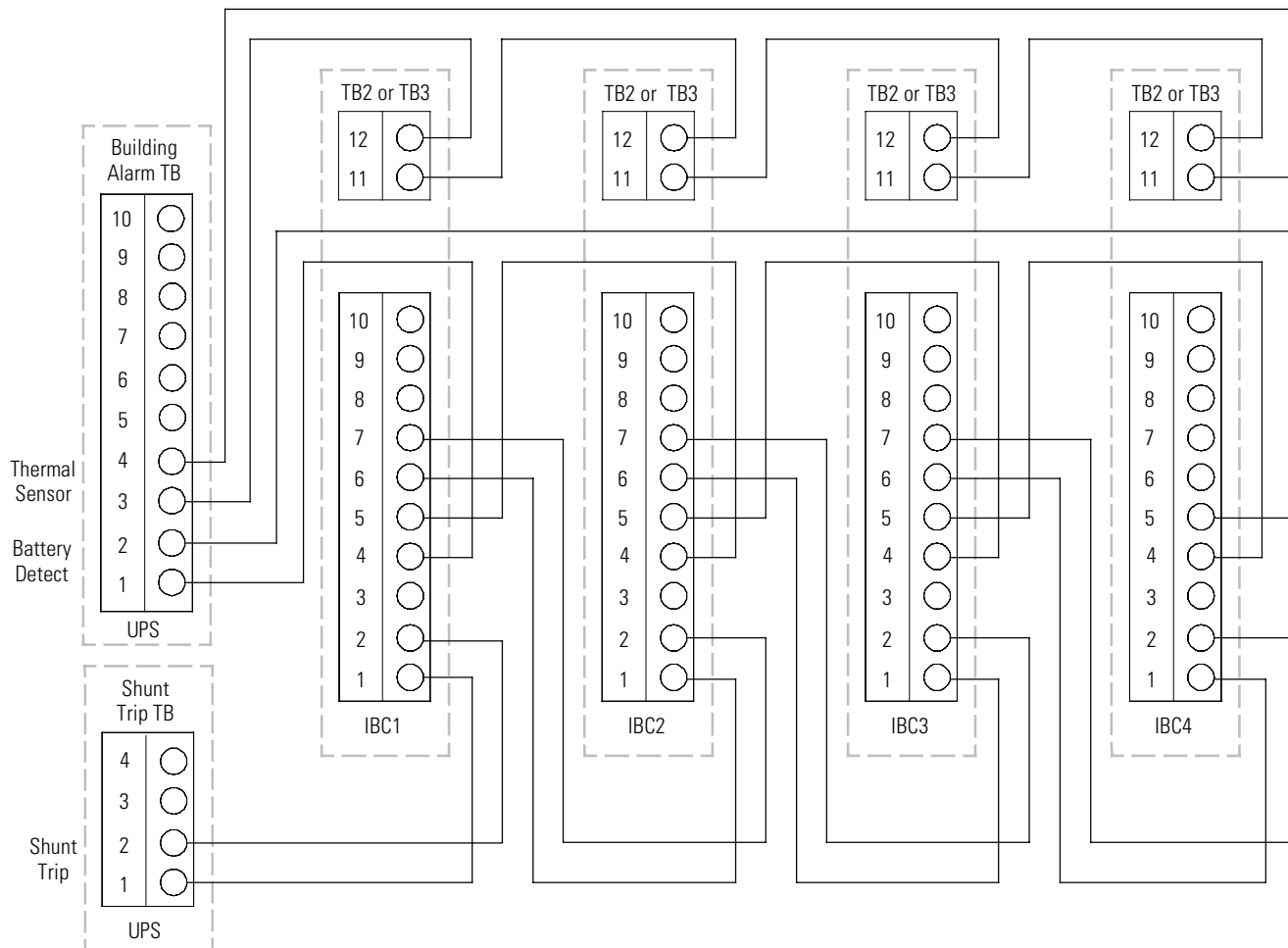


**Table 10. IBC TB2 or TB3 Interface Connections (432V)**

<b>Terminal TB2 or TB3</b>	<b>Name</b>	<b>Description</b>
1	48 Vdc Battery Shunt Trip +	Contacts used to open battery breaker or disconnect.
2	48 Vdc Battery Shunt Trip -	
3	Not Used	
4	Battery Detect	Contacts used to indicate whether UPS battery breaker is open or closed.
5	Battery Detect Common	
6	To Next IBC TB3-1	Contacts used to open battery breaker or disconnect on second, third, and fourth IBCs.
7	To Next IBC TB3-2	
8	Not Used	
9	Not Used	
10	Not Used	
11	Thermal Sensor Return	Contact used to signal a battery temperature out of specification and to turn off the battery charger to prevent thermal runaway.
12	Thermal Sensor	
13	Not Used	
14	Not Used	
15	Not Used	
16	Not Used	
17	Not Used	
18	Not Used	
19	Not Used	
20	Not Used	

**Table 11. IBC TB2 or TB3 Interface Connections (480V)**

<b>Terminal TB2 or TB3</b>	<b>Name</b>	<b>Description</b>
1	48 Vdc Battery Shunt Trip +	Contacts used to open battery breaker or disconnect.
2	48 Vdc Battery Shunt Trip -	
3	Not Used	
4	Battery Detect	Contacts used to indicate whether UPS battery breaker is open or closed.
5	Battery Detect Common	
6	To Next IBC TB3-1	Contacts used to open battery breaker or disconnect on second, third, and fourth IBCs.
7	To Next IBC TB3-2	
8	Not Used	
9	Not Used	
10	Not Used	
11	Thermal Sensor Return	Contact used to signal a battery temperature out of specification and to turn off the battery charger to prevent thermal runaway.
12	Thermal Sensor	

**Figure 29. Shunt Trip, Battery Detect, and Thermal Sensor Wiring**

**NOTE 1** IBC1 is closest to the UPS.

**NOTE 2** The IBC shunt trip is wired in parallel. The IBC battery detect is wired in series.

**NOTE 3** TB2 and TB3 terminals are wired together and are identical. TB2 is located at the bottom of the IBC and TB3 is located at the top of the IBC. Use TB2 for line-up-and-match shunt trip, and for standalone bottom entry shunt trip and battery detect connections to the UPS. Use TB3 for connections between multiple IBCs, for line-up-and-match battery detect, and for standalone top entry shunt trip and battery detect connections to the UPS.



**NOTE 4** If less than four IBCs are installed, the last IBC TB3-5 connection returns to UPS Battery Detect Building Alarm terminal.

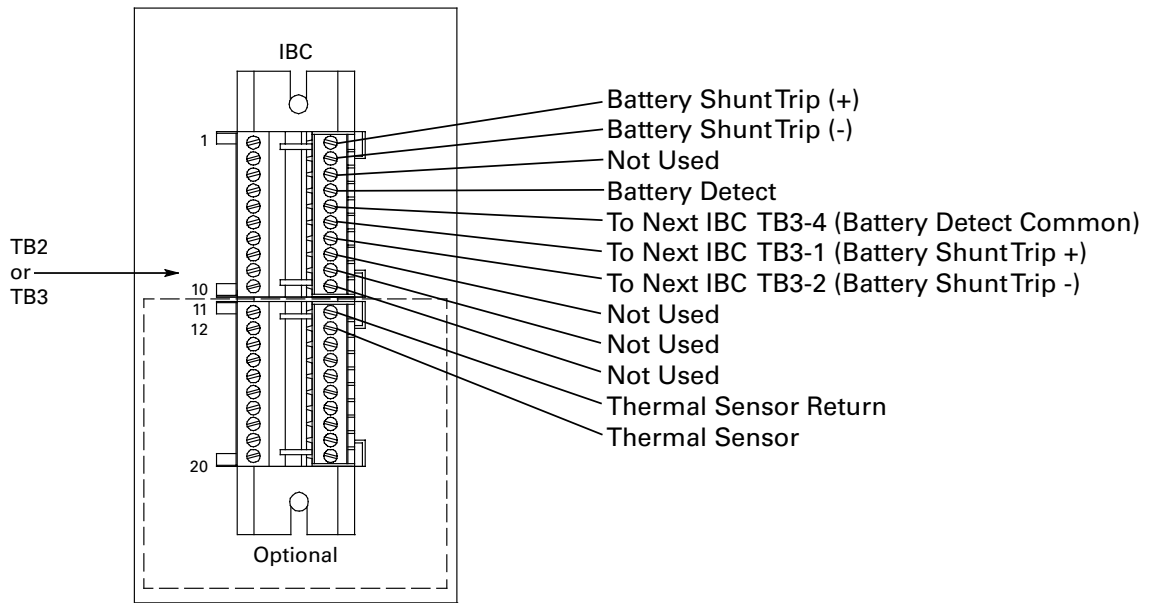
**NOTE 5** TB2-3 and TB3-3 terminals in IBC1 can be used to route the return wire to the UPS.

**NOTE 6** The Thermal Sensor is optional. If not installed, terminals TB2-11, TB2-12, TB3-11, and TB3-12 are not present.

**Table 12. IBC TB2 or TB3 Interface Wiring Terminal Block Terminations**

Terminal Function	Size of Pressure Termination	Tightening Torque Nm (lb in)	Type Screw	Comments
Shunt Trip	#26-#16	0.4 (3.5) - 0.8 (7.1)	Slotted	Use #18 AWG twisted-pair wires for each input and return or common. Strip wire insulation back 10 millimeters to wire terminal blocks. Use wire rated for 600V and Class 1 wiring methods.
Battery Detect	#26-#16	0.4 (3.5) - 0.8 (7.1)	Slotted	Use #18 AWG twisted-pair wires for each input and return or common. Strip wire insulation back 10 millimeters to wire terminal blocks.
Thermal Sensor	#26-#16	0.4 (3.5) - 0.8 (7.1)	Slotted	Use #18 AWG twisted-pair wires for each input and return or common. Strip wire insulation back 10 millimeters to wire terminal blocks.

**Figure 30. Interface Terminal Detail – Eaton 93PM IBC-L (432V) or 93PM IBC-LH (432V)**



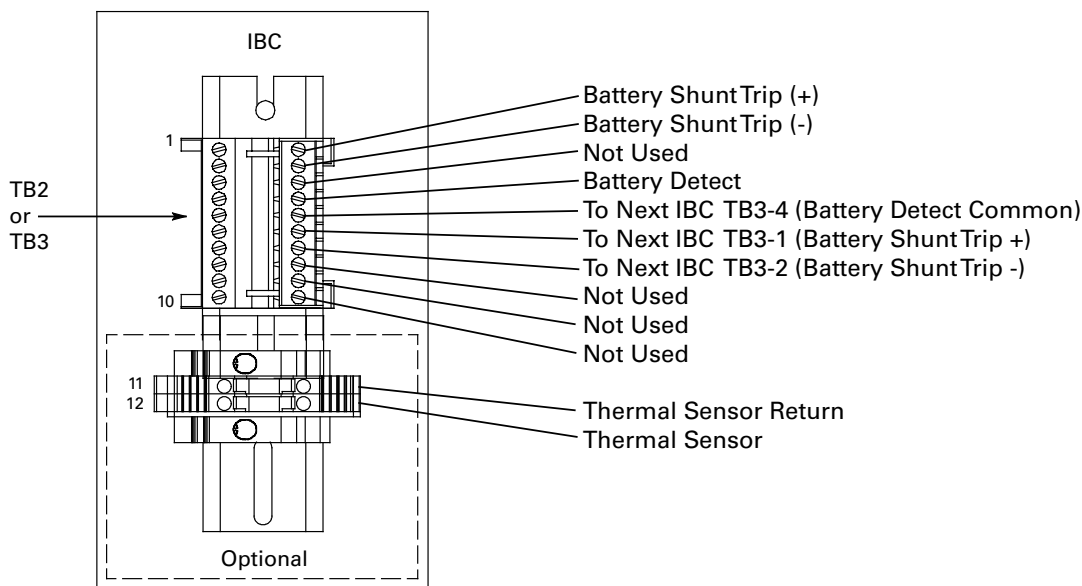
**NOTE 1** TB2 and TB3 terminals are wired together and are identical. TB2 is located at the bottom of the IBC and TB3 is located at the top of the IBC. Use TB2 for line-up-and-match shunt trip, and for standalone bottom entry shunt trip and battery detect connections to the UPS. Use TB3 for connections between multiple IBCs, for line-up-and-match battery detect, and for standalone top entry shunt trip and battery detect connections to the UPS.



**NOTE 2** TB2 and TB3 connector pin 1 is located at the front of the cabinet.

**NOTE 3** The Thermal Sensor is optional. If not installed, terminals TB2-11, TB2-12, TB3-11, and TB3-12 are not present.



**Figure 31. Interface Terminal Detail – Eaton 93PM IBC-LH (480V)**

**NOTE 1** TB2 and TB3 terminals are wired together and are identical. TB2 is located at the bottom of the IBC and TB3 is located at the top of the IBC. Use TB2 for line-up-and-match shunt trip, and for standalone bottom entry shunt trip and battery detect connections to the UPS. Use TB3 for connections between multiple IBCs, for line-up-and-match battery detect, and for standalone top entry shunt trip and battery detect connections to the UPS.



**NOTE 2** TB2 and TB3 connector pin 1 is located at the front of the cabinet.

**NOTE 3** The Thermal Sensor is optional. If not installed, terminals TB2-11, TB2-12, TB3-11, and TB3-12 are not present.

#### 4.5.2 Installing Battery Shunt Trip Interface Connections

**NOTE 1** Disconnect terminal block plug from terminal block to wire plug.

**NOTE 2** Because of the battery shunt trip wiring route in the 93PM UPS cabinet, the wiring from the IBC shunt trip terminals to the UPS must use wire rated for 600V and Class 1 wiring methods.



**NOTE 3** If the inter-cabinet wiring access pass-through is not used to install the battery shunt trip interface wiring connections, conduit must be installed between the battery cabinet and the UPS cabinet.

To install wiring:

1. If wiring the IBC shunt trip interface terminals using the line-up-and-match inter-cabinet wiring access pass-through (see [Figure 15](#)) proceed to [Step 2](#); if wiring the IBC shunt trip interface terminals using the top entry access, proceed to [Step 4](#); if wiring the IBC shunt trip interface terminals using the bottom entry access, proceed to [Step 7](#).

---

**i NOTE** In multiple IBC installations, route the battery interface wiring between IBCs through the top of the adjacent IBC using the top inter-cabinet access pass-through (see [Figure 15](#)).

---

2. **Line-Up-and-Match Wiring.** Route the battery shunt trip interface wiring from the UPS battery shunt trip interface terminals through the bottom inter-cabinet access pass-through (see [Figure 15](#)) of the UPS cabinet and IBC to the IBC battery interface terminal block TB2. See [Figure 27](#) or [Figure 28](#) for terminal locations. See paragraph [3.2.2 IBC Power Wiring Preparation](#), [Table 10](#) or [Table 11](#), and [Figure 29](#) for wiring and termination requirements. Refer to the applicable Eaton 93PM UPS Installation and Operation manual listed in paragraph [1.7 For More Information](#), for UPS cabinet terminal locations.
3. Proceed to [Step 9](#).
4. **Top Entry Wiring.** Remove the top conduit plate (see [Figure 25](#)) from the top of the IBC sidecar. Identify all conduit requirements and mark their location. Drill and punch all conduit holes in the top conduit plate prior to mounting on the IBC. Install the conduit plate and install all conduit runs into the plate. Pull the wiring through the conduit into the wiring area.

---

**i NOTE** In multiple IBC installations, route the battery interface wiring between IBCs through the top of the adjacent IBC using the top inter-cabinet access pass-through (see [Figure 15](#)).

---

5. Route the battery shunt trip interface wiring from the UPS battery shunt trip interface terminals through the top of the IBC sidecar and the top IBC inter-cabinet wiring access pass-through (see [Figure 15](#)) to the IBC battery interface terminal block TB3.
6. Proceed to [Step 9](#).
7. **Bottom Entry Wiring.** Remove the bottom conduit plate (see [Figure 24](#)) from the inside bottom of the IBC. Identify all conduit requirements and mark their location. Drill and punch all conduit holes in the bottom conduit plate prior to mounting on the IBC. Install the conduit plate and install all conduit runs into the plate. Pull the wiring through the conduit into the wiring areas.

---

**i NOTE** In multiple IBC installations, route the battery interface wiring between IBCs through the top of the adjacent IBC using the top inter-cabinet access pass-through (see [Figure 15](#)).

---

8. Route the battery shunt trip interface wiring from the UPS battery shunt trip interface terminals through the bottom of the IBC to the IBC battery interface terminal block TB2.
9. Connect the battery shunt trip interface wiring to the IBC battery shunt trip interface terminals. See paragraph [3.2.2 IBC Power Wiring Preparation](#) and [Table 12](#) for termination requirements.  
For a detailed view of the IBC terminal block, see [Figure 30](#) or [Figure 31](#).
10. Connect the battery shunt trip interface wiring to the UPS battery shunt trip interface terminals. Refer to the applicable Eaton 93PM UPS Installation and Operation manual listed in paragraph [1.7 For More Information](#), for UPS cabinet termination requirements.

---

**i NOTE** In the following step, if the safety shield cannot be reinstalled because of misalignment, use the leveling feet to realign the cabinet.

---

11. Reinstall the internal safety shield panel removed in [Step 3](#) of paragraph [4.3.1 Line-Up-and-Match Power Wiring](#).
12. Close the outside door and secure the latch.
13. If removed, reinstall the sidecar internal safety shield panel and secure with the retained hardware.
14. If removed, reinstall the sidecar front panel and secure with the retained hardware.
15. Once the battery cabinets are installed and wired, return to the applicable Eaton 93PM UPS Installation and Operation manual, listed in paragraph [1.7 For More Information](#), to complete the UPS wiring.

### 4.5.3 Installing Thermal Sensor Interface Connections

- 
- NOTE 1** The UPS thermal sensor signal uses an UPS building alarm input to indicate a thermal trip condition and to turn off the battery charger.
- NOTE 2** Any pair of unused building alarm terminals may be used for the thermal sensor connections.
- NOTE 3** Program the thermal sensor building alarm to read battery thermal trip and for normally open contacts.
- NOTE 4** Disconnect terminal block plug from terminal block to wire plug.
- NOTE 5** If the inter-cabinet wiring access pass-through is not used to install the thermal sensor interface wiring connections, conduit must be installed between the battery cabinet and the UPS cabinet.
- 

To install wiring:

1. If wiring the IBC thermal sensor interface terminals using line-up-and-match wiring using the inter-cabinet wiring access pass-through (see [Figure 15](#)) proceed to [Step 2](#); if wiring the IBC thermal sensor interface terminals using the top entry access, proceed to [Step 4](#); if wiring the IBC thermal sensor interface terminals using the bottom entry access, proceed to [Step 7](#).

- 
- NOTE** In multiple IBC installations, route the battery interface wiring between IBCs through the top of the adjacent IBC using the top inter-cabinet access pass-through (see [Figure 15](#)).
- 

2. **Line-Up-and-Match Wiring.** Route the thermal sensor interface wiring from the UPS thermal sensor (building alarm) interface terminals through the top inter-cabinet access pass-through (see [Figure 15](#)) of the UPS cabinet and IBC to the IBC battery interface terminal block TB3. See [Figure 27](#) or [Figure 28](#) for terminal locations. See paragraph [3.2.2 IBC Power Wiring Preparation, Table 10](#) or [Table 11](#), and [Figure 29](#) for wiring and termination requirements. Refer to the applicable Eaton 93PM UPS Installation and Operation manual listed in paragraph [1.7 For More Information](#), for UPS cabinet terminal locations.
3. Proceed to [Step 9](#).
4. **Top Entry Wiring.** Remove the top conduit plate (see [Figure 25](#)) from the top of the IBC sidecar. Identify all conduit requirements and mark their location. Drill and punch all conduit holes in the top conduit plate prior to mounting on the IBC. Install the conduit plate and install all conduit runs into the plate. Pull the wiring through the conduit into the wiring area.

- 
- NOTE** In multiple IBC installations, route the battery interface wiring between IBCs through the top of the adjacent IBC using the top inter-cabinet access pass-through (see [Figure 15](#)).
- 

5. Route the thermal sensor interface wiring from the UPS thermal sensor (building alarm) interface terminals through the top of the IBC sidecar and the top IBC inter-cabinet wiring access pass-through
6. Proceed to [Step 9](#).
7. **Bottom Entry Wiring.** Remove the bottom conduit plate (see [Figure 24](#)) from the inside bottom of the IBC. Identify all conduit requirements and mark their location. Drill and punch all conduit holes in the bottom conduit plate prior to mounting on the IBC. Install the conduit plate and install all conduit runs into the plate. Pull the wiring through the conduit into the wiring areas.

- 
- NOTE** In multiple IBC installations, route the battery interface wiring between IBCs through the top of the adjacent IBC using the top inter-cabinet access pass-through (see [Figure 15](#)).
- 

8. Route the thermal sensor interface wiring from the UPS thermal sensor (building alarm) interface terminals through the bottom of the IBC to the IBC battery interface terminal block TB2.

9. Connect the thermal sensor interface wiring to the IBC thermal sensor interface terminals. See paragraph [3.2.2 IBC Power Wiring Preparation](#) and [Table 12](#) for termination requirements.

For a detailed view of the IBC terminal block, see [Figure 30](#) or [Figure 31](#).

10. Connect the thermal sensor interface wiring to the UPS thermal sensor interface (building alarm) terminals. Refer to the applicable Eaton 93PM UPS Installation and Operation manual listed in paragraph [1.7 For More Information](#), for UPS cabinet termination requirements.

**NOTE**

In the following step, if the safety shield cannot be reinstalled because of misalignment, use the leveling feet to realign the cabinet.

---

11. Reinstall the internal safety shield panel removed in [Step 3](#) of paragraph [4.3.1 Line-Up-and-Match Power Wiring](#).
12. Close the outside door and secure the latch.
13. If removed, reinstall the sidecar internal safety shield panel and secure with the retained hardware.
14. If removed, reinstall the sidecar front panel and secure with the retained hardware.
15. Once the battery cabinets are installed and wired, return to the applicable Eaton 93PM UPS Installation and Operation manual, listed in paragraph [1.7 For More Information](#), to complete the UPS wiring.

## 4.6 Initial Startup

Startup and operational checks must be performed by an authorized Eaton Customer Service Engineer, or the warranty terms specified in [Chapter 8 Warranty](#) become void. This service is offered as part of the sales contract for the UPS. Contact an Eaton service representative in advance (a minimum two-week notice is required) to reserve a preferred startup date.

## 4.7 Completing the Installation Checklist

The final step in installing the IBC is completing the following Installation Checklist. This checklist ensures that you have completely installed all hardware, cables, and other equipment. Complete all items listed on the checklist to ensure a smooth installation. Make a copy of the Installation Checklist before filling it out, and retain the original.

After the installation is complete, an Eaton Customer Service Engineer must verify the operation of the UPS system and commission it to support the critical load. The service representative cannot perform any installation tasks other than verifying software and operating setup parameters. Service personnel may request a copy of the completed Installation Checklist to verify all applicable equipment installations have been completed.

**NOTE**

The Installation Checklist **MUST** be completed prior to starting the UPS system for the first time.

---

## 4.8 Installation Checklist

- All IBCs are the same model and rating.
- All packing materials and restraints have been removed from each cabinet.
- The IBCs are installed on a level floor suitable for computer or electronic equipment.
- The IBCs are placed in their installed location
- All conduits and cables are properly routed between the IBCs and the UPS.
- All power cables are properly sized and terminated.
- A ground conductor is properly installed.
- Battery cables are terminated on the positive and negative terminals in the UPS cabinet.
- Battery Shunt Trip and Battery Detect signal wiring is connected from the battery breaker to the UPS.
- Thermal Sensor signal wiring is connected from the battery cabinet to the UPS.
- All internal safety shields are installed.
- Air conditioning equipment is installed and operating correctly.
- The area around the UPS system is clean and dust-free.
- Adequate workspace exists around the IBC and other cabinets.
- Adequate lighting is provided around all IBC and UPS equipment.
- A 120 Vac service outlet is located within 7.5 meters (25 feet) of the IBC and UPS equipment.
- Startup and operational checks are performed by an authorized Eaton Customer Service Engineer.
- Visit [www.eaton.com/pq/register](http://www.eaton.com/pq/register) to register your new Eaton UPS / Eaton UPS Accessory.



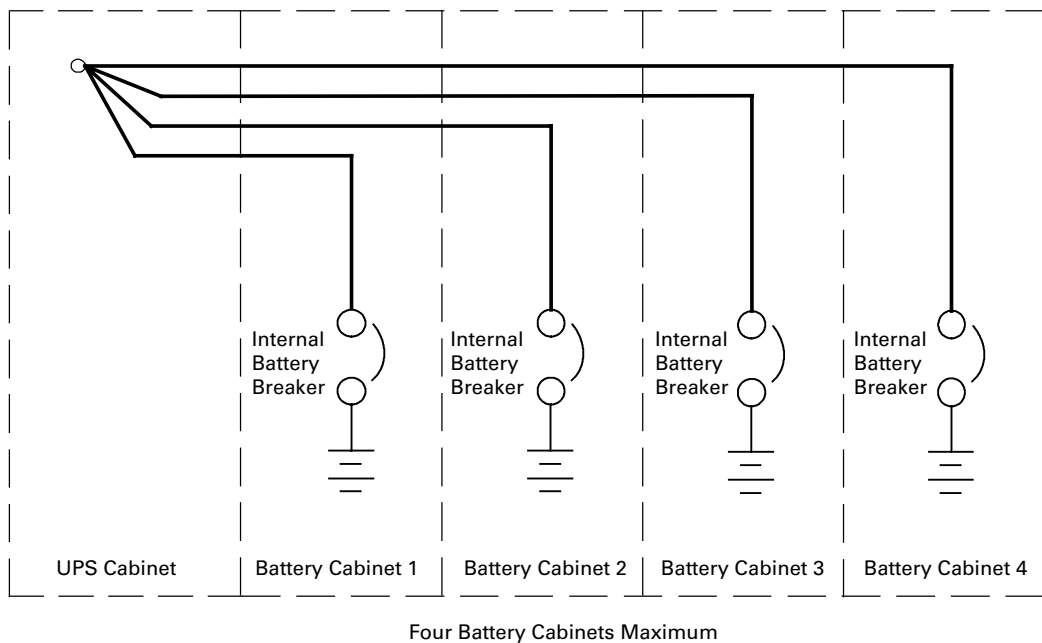
## Chapter 5 Onelines and Schematics

### 5.1 Power Onelines

Figure 32 through Figure 34 show the UPS and 93PM Integrated Battery Cabinet-Large (IBC-L) inter-cabinet power connection onelines. Figure 35 through Figure 37 show the UPS and 93PM Integrated Battery Cabinet-Large High Rate (IBC-LH) inter-cabinet power connection onelines.

See paragraph 3.2.2 *IBC Power Wiring Preparation* for wiring installation notes and Table 5 through Table 7 for wiring recommendations.

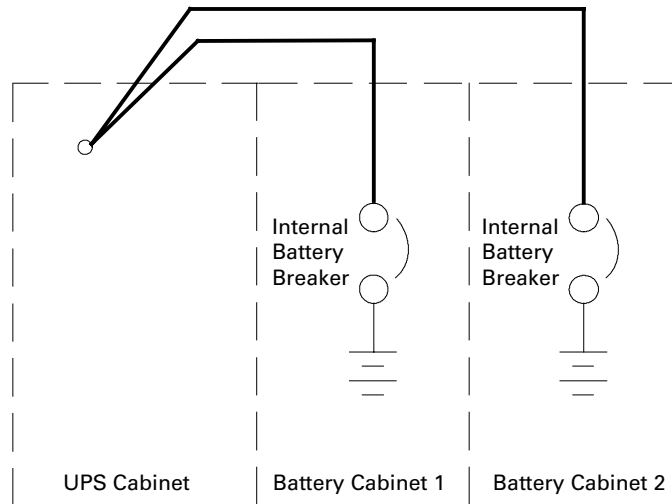
**Figure 32. 93PM IBC-L Line-Up-and-Match Power Oneline**



**NOTE**

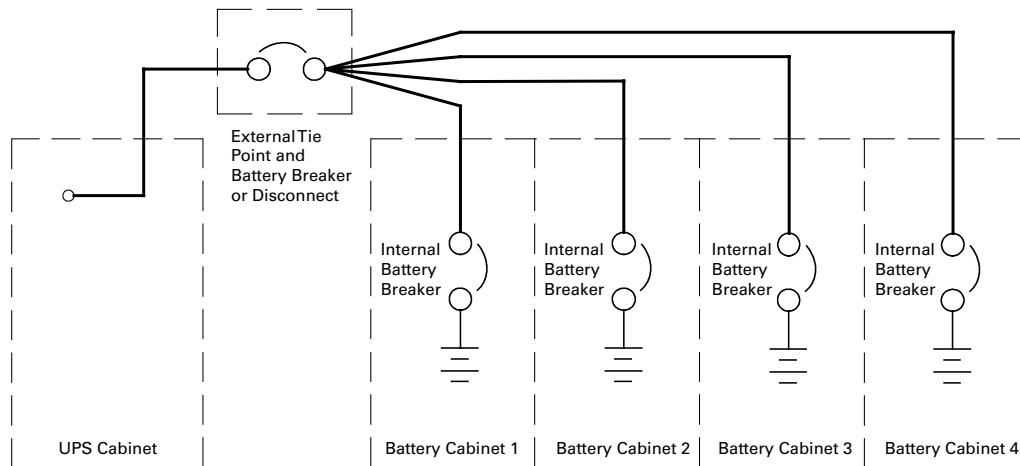
Battery cabinet wiring assumes using factory supplied wiring and one wire per pole.

**Figure 33. 93PM IBC-L Standalone Power Online – One or Two Cabinets**



**i NOTE** External wiring to be supplied by the customer.

**Figure 34. 93PM IBC-L Standalone Power Online – Four Cabinets**

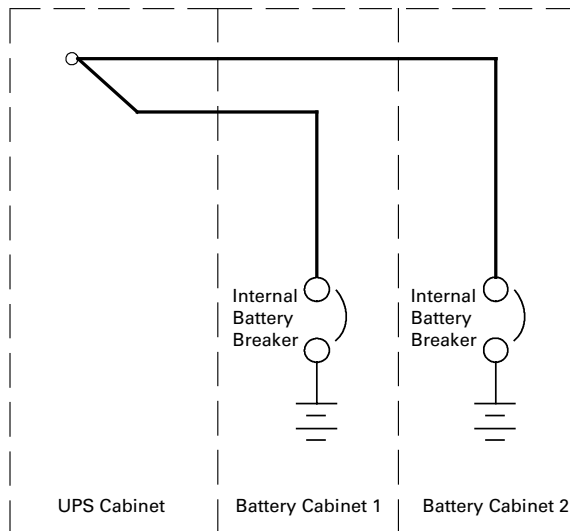


**i NOTE 1** External tie point, battery breaker or disconnect, and wiring to be supplied by the customer.

**NOTE 2** Up to eight cabinets can be paralleled with a 93PM 100-400 kW UPS.



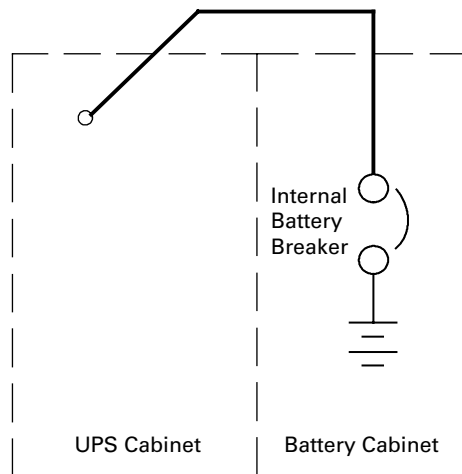
**Figure 35. 93PM IBC-LH Line-Up-and-Match Power Oneline**



**NOTE**

Battery cabinet wiring assumes using factory supplied wiring and two wires per pole.

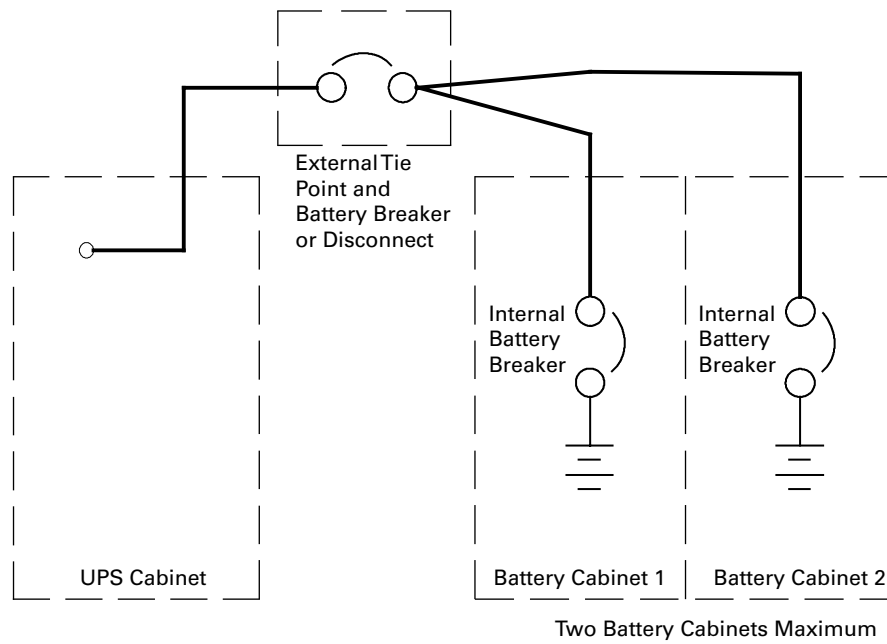
**Figure 36. 93PM IBC-LH Standalone Power Online – One Cabinet**




**NOTE**

External wiring to be supplied by the customer.

**Figure 37. 93PM IBC-LH Standalone Power Online – Two Cabinets**

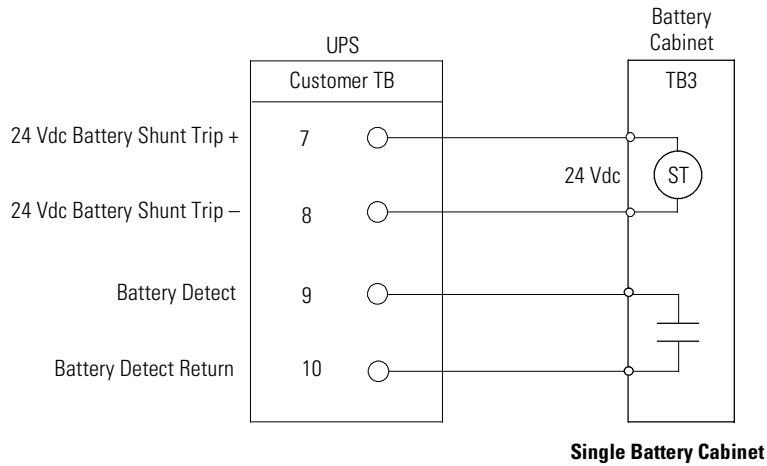


- 
- NOTE 1**  External tie point, battery breaker or disconnect, and wiring to be supplied by the customer.
- NOTE 2** Up to four cabinets can be paralleled with a 93PM 100-400 kW UPS.
-

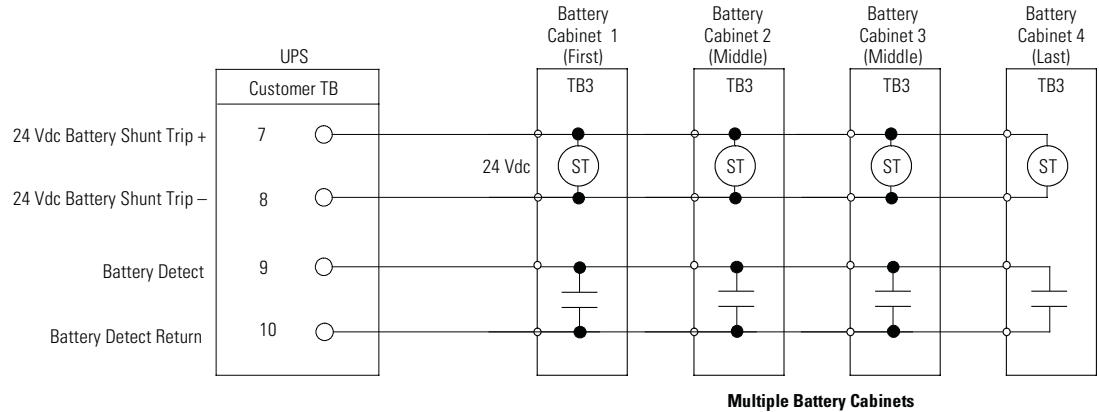
## 5.2 Interface Onelines

Figure 38 shows the UPS and 93PM IBC-L or 93PM IBC-LH intercabinet interface connection onelines.

**Figure 38. 93PM Integrated Battery Cabinet Interface Oneline**



**NOTE** Battery Detect and DC Shunt Trip wiring should be a minimum of 18 AWG.



**NOTE 1** Battery Detect and DC Shunt Trip wiring should be a minimum of 18 AWG.

**NOTE 2** Four battery cabinets shown. Battery cabinets 5 through 8 are wired the same.

### 5.3 Schematics

[Figure 39](#) shows the 93PM IBC-L and 93PM IBC-LH 432V schematic and [Figure 39](#) shows the 93PM IBC-L and 93PM IBC-LH 480V schematic

Figure 39. 93PM Integrated Battery Cabinet Schematic – IBC-L and IBC-LH (432V)

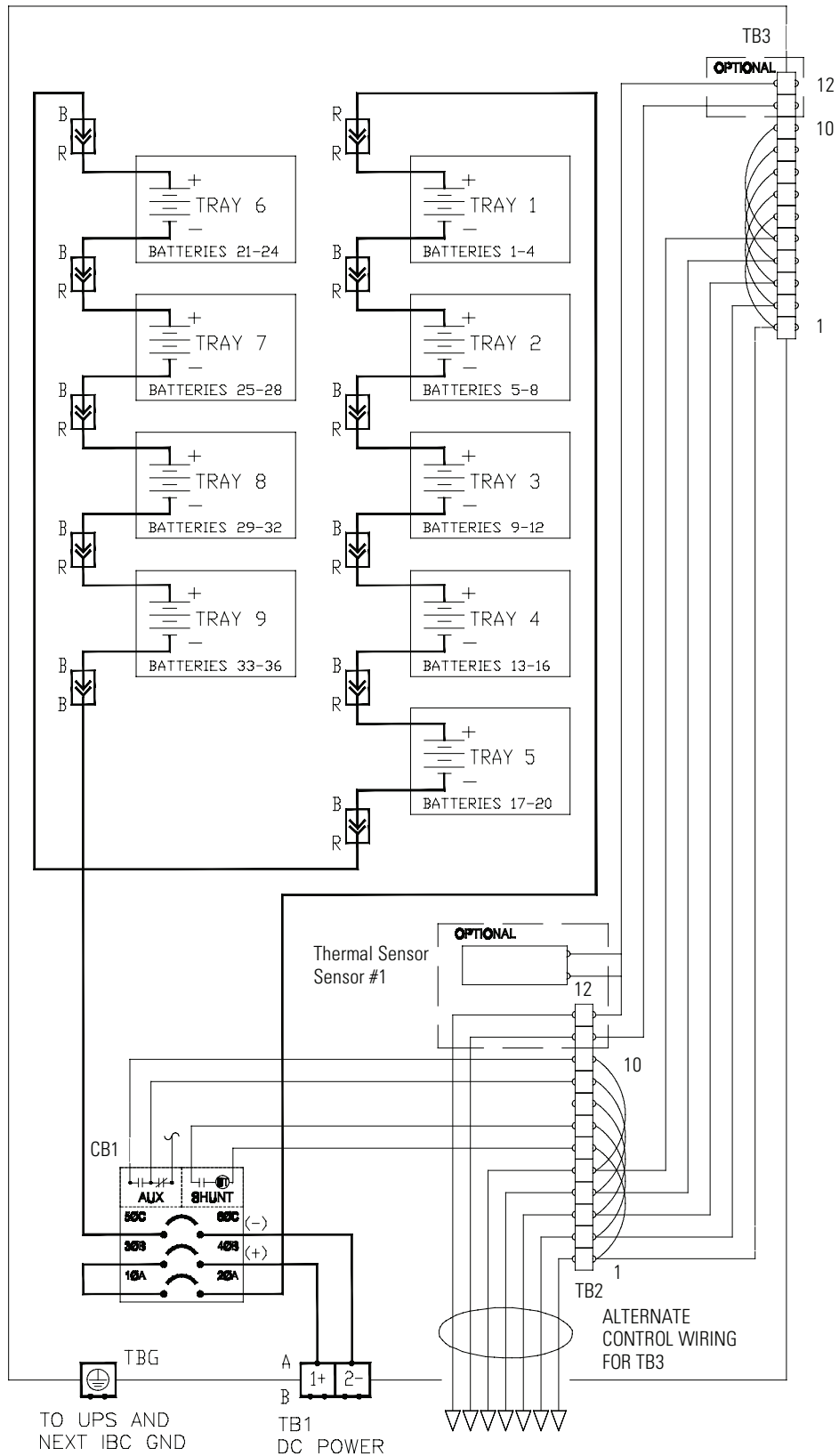
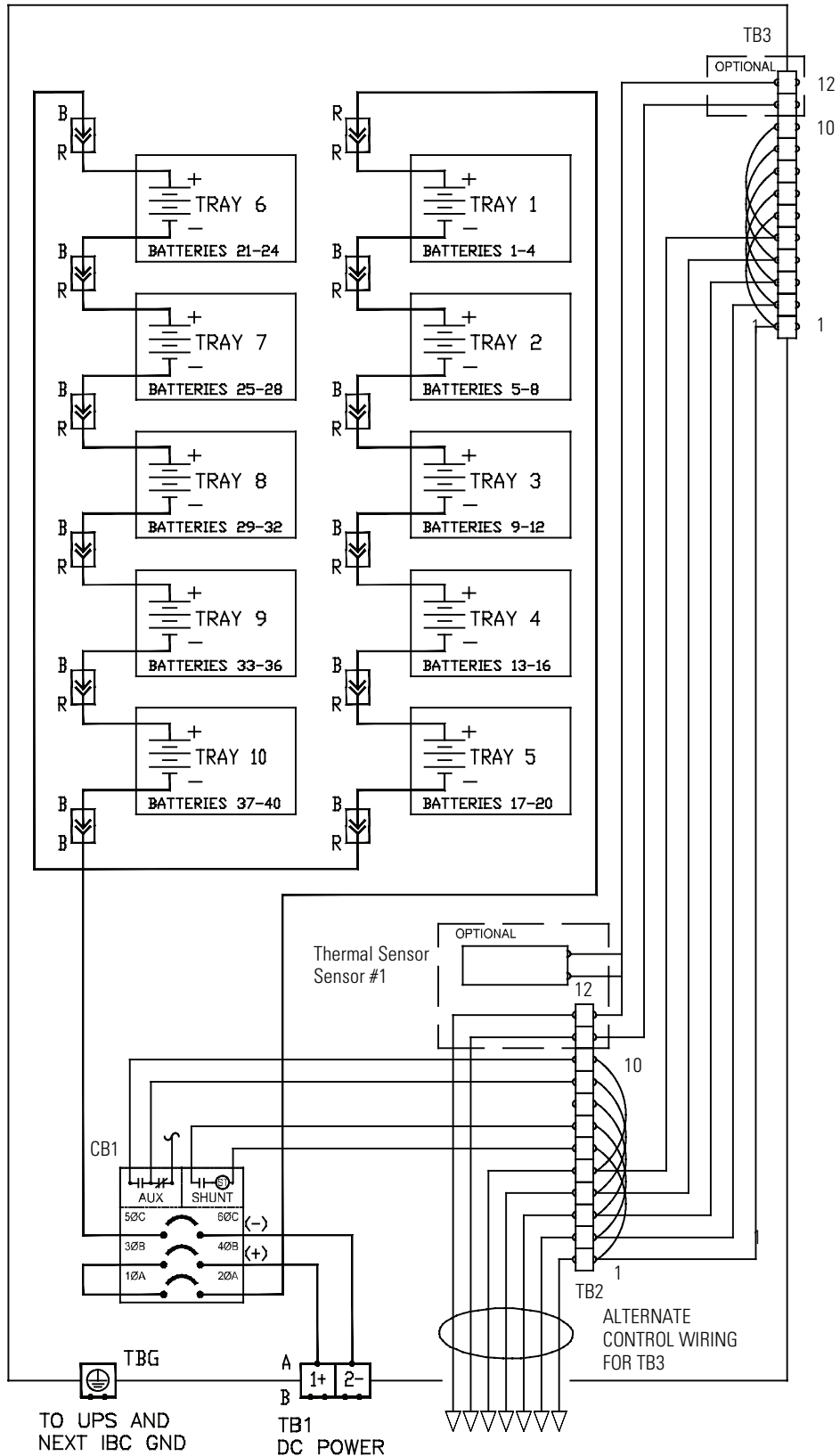


Figure 40. 93PM Integrated Battery Cabinet Schematic – IBC-LH (480V)



## Chapter 6 Maintenance

The components inside the IBC are secured to a sturdy metal frame. All repairable parts and assemblies are located for easy removal, with very little disassembly. This design allows authorized service personnel to perform routine maintenance and servicing quickly.

You must schedule periodic performance checks of the UPS system to keep it running properly. Regular routine checks of operation and system parameters enable your system to function efficiently for many trouble-free years.

### 6.1 Important Safety Instructions

Remember that your UPS system is designed to supply power **EVEN WHEN DISCONNECTED FROM THE UTILITY POWER.**



#### **WARNING**

---

- No user serviceable components.
  - Servicing and maintenance should be performed by qualified service personnel only.
  - **LETHAL VOLTAGE PRESENT.** This unit should not be operated with the cabinet doors open or protective panels removed. Do not make any assumptions about the electrical state of any cabinet in the UPS system.
- 

### 6.2 Performing Preventive Maintenance

The UPS system requires very little preventive maintenance. However, the system should be inspected periodically to verify that the units are operating normally. Record maintenance results and any corrective actions in a suitable log.

#### **6.2.1 DAILY Maintenance**

Perform the following steps daily:

1. Check the area surrounding the UPS system. Ensure the area is not cluttered, allowing free access to the unit.
2. Ensure the air intakes on the Accessory cabinets are not blocked.
3. Ensure the operating environment is within the parameters specified in paragraph [3.2.1 Environmental and Installation Considerations](#) and **Chapter 7 Product Specifications**.

#### **6.2.2 PERIODIC Maintenance**

Periodic inspections of the IBC should be made to determine if components, wiring, and connections exhibit evidence of overheating. Particular attention should be given to the compression lug connections. Maintenance procedures should specify that the compression lug connections be retorqued to values listed in this manual.

#### **6.2.3 ANNUAL Maintenance**

Annual preventive maintenance should be performed only by authorized service personnel familiar with maintenance and servicing of the UPS system. Contact an Eaton service representative for more information about service offerings.

#### **6.2.4 BATTERY Maintenance**

Contact an Eaton service representative for battery maintenance. Battery replacement and maintenance should be performed only by authorized service personnel.

### 6.2.5 BATTERY Shelf Life

The shelf life for the batteries installed in the IBC are 8 months from the date code on the battery for the E39 and E50 batteries and 24 months from the date code on the battery for the N54 and H41 batteries. The recharge date is also stated on a label inside the IBC.

---

 **CAUTION**

---

Failure to recharge the batteries before the expiration of the shelf life will result in reduced discharge time, shorter float service life, and will void the warranty.

---

### 6.3 Recycling the Used Batteries

Contact your local recycling or hazardous waste center for information on proper disposal of the used Valve-Regulated Lead-Acid (VRLA) batteries.

---

 **WARNING**

---

- Do not dispose of the battery or batteries in a fire. Batteries may explode. Proper disposal of batteries is required. Refer to your local codes for disposal requirements.
- Do not open or mutilate the battery or batteries. Released electrolyte is harmful to the skin and eyes. It may be toxic.
- A battery can cause electrical shock, burn from high short-circuit current, or fire. Observe proper precautions.

---

 **ATTENTION!**

---

- Une batterie peut présenter un risque de choc électrique, de brûlure, ou d'incendie. Suivre les précautions qui s'imposent.
- Pour le remplacement, utiliser le même nombre et modèle des batteries.
- L'élimination des batteries est réglementée. Consulter les codes locaux à cet effet.

---

 **CAUTION**

---

Do not discard the UPS or the UPS batteries in the trash. This product contains sealed, lead-acid batteries and must be disposed of properly. For more information, contact your local recycling/reuse or hazardous waste center.

---

---

 **CAUTION**

---

Do not discard waste electrical or electronic equipment (WEEE) in the trash. For proper disposal, contact your local recycling/reuse or hazardous waste center.

---

### 6.4 Maintenance Training

A basic training course, available from Eaton, gives you a competent working knowledge of the UPS system operation and teaches you how to perform first level corrective maintenance. For more information about training and other services, contact the Customer Reliability Center (see paragraph [1.8 Getting Help](#)).



## Chapter 7 Product Specifications

This section provides the following specifications:

- Model Numbers
- Battery specifications
- Environmental and safety specifications

### 7.1 Model Numbers

The Integrated Battery Cabinet (IBC) is available in two model to meet the needs of the Eaton 93PM UPS product line.

Integrated Battery Cabinet (IBC) Models	Description
Eaton 93PM Integrated Battery Cabinet-Large (IBC-L)	IBC for Eaton 93PM 50 kW UPS
Eaton 93PM Integrated Battery Cabinet-Large High Rate (432V)	IBC for Eaton 93PM 100 kW UPS
Eaton 93PM Integrated Battery Cabinet-Large High Rate (480V)	IBC for Eaton 93PM 150 kW UPS
	IBC for Eaton 93PM 200 kW UPS
	IBC for Eaton 93PM 400 kW UPS

### 7.2 Specifications

The following sections detail the battery specifications and the environmental and safety specifications for the UPS.

#### 7.2.1 Battery Specifications

<b>IBC Battery Types</b>	IBC-L: E39, 390 W/cell battery, valve-regulated lead-acid (VRLA) with a 3-year float service life at 77°F (25°C) IBC-L: E54, 540 W/cell battery, valve-regulated lead-acid (VRLA) with a 3-year float service life at 77°F (25°C) IBC-LH: N54, 540 W/cell battery, valve-regulated lead-acid (VRLA) IBC-LH: H41, 414 W/cell battery, valve-regulated lead-acid (VRLA) IBC-LH: H37, 400 W/cell battery, valve-regulated lead-acid (VRLA)
<b>Number of Strings</b>	1 string
<b>Battery Replacement</b>	Must be replaced by a qualified service technician
<b>Protection</b>	IBC-L output protected by 300A circuit breaker. IBC-LH output protected by 500A circuit breaker.



The shelf life for the batteries installed in the IBC are 6 months from the date code on the battery for the B37 batteries, 8 months from the date code on the battery for the E39 and E54 batteries, and 24 months from the date code on the battery for the N54 and H41 batteries. The recharge date is also stated on a label inside the IBC.

Failure to recharge the batteries before the expiration of the shelf life will result in reduced discharge time, shorter float service life, and will void the warranty.

## 7.2.2 Environmental and Safety Specifications

<b>Operating Temperature</b>	The battery cabinet is rated for operation in up to a 40°C (104°F) ambient temperature.  <b>NOTE</b> Emergency lighting and power equipment battery cabinets (UL924) are rated for operation in a 20°–30°C (68°–86°F) temperature environment. The batteries are rated for a 25°C (77°F) ambient temperature to extend their useful life.
<b>Transit Temperature</b>	-15°C to 40°C (5°F to 104°F)
<b>Storage Temperature</b>	IBC-L: -15°C to 40°C (5°F to 104°F) IBC-LH: -15°C to 40°C (5°F to 104°F)
<b>Operating Altitude</b>	Maximum 1500m (5000 ft) at 40°C without derating
<b>Transit Altitude</b>	15000m (49213 ft)
<b>Ventilation</b>	Convection
<b>Relative Humidity (operating and storage)</b>	95%, noncondensing
<b>Acoustical Noise</b>	Not applicable
<b>Safety Conformance</b>	UL1778 4 <sup>th</sup> edition
<b>Agency Markings</b>	cULus
<b>EMC (Class A)</b>	FCC Part 15 Class A and 62040-2 c3

## Chapter 8 Warranty

### 8.1 Limited Factory Warranty for Three-Phase Eaton 93PM UPS and 93PM UPS Accessory Products

**WARRANTOR:** The warrantor for the limited warranties set forth herein is Eaton ("Eaton").

**LIMITED WARRANTY:** This limited warranty (this "Warranty") applies only to the original end-user (the "End-User") of the Eaton Three-Phase 93PM UPS and 93PM UPS Accessory Products (the "Product") and cannot be transferred. This restriction applies even in the event that the Product is initially sold by Eaton for resale to an End-User. This Warranty gives you specific legal rights, and you may also have other rights which vary from State to State (or jurisdiction to jurisdiction).

**WHAT THIS LIMITED WARRANTY COVERS:** The warrantor warrants, with the terms of this Warranty, that the Eaton three-phase UPS electronics, Eaton-built accessories, and Eaton-built battery cabinets (individually and collectively, the "Warranted Items") are free from defects in material and workmanship.

For Product installed (and currently located) in the fifty (50) United States and the District of Columbia, if, in the opinion of Eaton, a Warranted Item is defective, Eaton's sole obligation, at the option of Eaton, will be to refurbish or replace such defective Warranted Item (including the costs of providing diagnosis, service, and labor ["labor coverage"]). The defective Warranted Item will be refurbished or replaced onsite at the End-User's location or such other location as determined by Eaton. Any parts that are replaced may be new or reconditioned. All parts replaced by Eaton shall become the property of Eaton.

For Product installed (and currently located) outside the fifty (50) United States and the District of Columbia, if, in the opinion of Eaton, a Warranted Item is defective, Eaton's sole obligation, at the option of Eaton, will be to refurbish or replace such defective Warranted Item (not including the costs of labor coverage). The defective Warranted Item will be refurbished or replaced onsite at the End-User's location or such other location as determined by Eaton. Any parts that are replaced may be new or reconditioned. All parts replaced by Eaton shall become the property of Eaton.

**LIMITED WARRANTY PERIOD:** The period covered by this Warranty for Product installed (and currently located) in the fifty (50) United States and the District of Columbia is six (6) months from the date of Product purchase for labor coverage when no startup is performed by an authorized Eaton Customer Service Engineer or Agent or twelve (12) months from the date of Product purchase with startup performed by an authorized Eaton Customer Service Engineer or Agent and twelve (12) months from the date of Product purchase or eighteen (18) months from date of Product shipment, whichever occurs first, for the refurbishment/replacement of parts.

The period covered by this Warranty for Product installed (and currently located) outside the fifty (50) United States and the District of Columbia is twelve (12) months from the date of Product purchase or eighteen (18) months from the date of Product shipment, whichever occurs first, for the refurbishment/replacement of parts.

**WHAT THIS LIMITED WARRANTY DOES NOT COVER:** This Warranty does not cover any defects or damages caused by: (a) failure to properly store the Product before installation, including the "trickle charge" of batteries no later than the date indicated on the packaging; (b) shipping and delivery of the Product if shipping is FOB Factory; (c) neglect, accident, fire, flood, lightning, vandalism, acts of God, Customer's neglect, abuse, misuse, misapplication, incorrect installation; (d) repair or alteration not authorized in writing by Eaton personnel or performed by an authorized Eaton Customer Service Engineer or Agent; or (e) improper testing, operation, maintenance, adjustment, or any modification of any kind not authorized in writing by Eaton personnel or performed by an authorized Eaton Customer Service Engineer or Agent.

This Warranty is not valid: if the Product's serial numbers have been removed or are illegible. Any Warranted Items repaired or replaced pursuant to this Warranty will be warranted for the remaining portion of the original Warranty subject to all the terms thereof. Eaton does not provide a labor warranty for Product located outside of the fifty (50) United States or the District of Columbia. **Any equipment, parts, or materials included in the Product and not manufactured by Eaton are warranted solely by the manufacturer of such equipment, parts, or materials and are not included as part of this Warranty. Batteries are not warranted by Eaton.**

**THIS WARRANTY IS THE ENDUSER'S SOLE REMEDY AND IS EXPRESSLY IN LIEU OF, AND THERE ARE NO OTHER, EXPRESSED OR IMPLIED GUARANTEES OR WARRANTIES (INCLUDING ANY IMPLIED WARRANTY OF MERCHANTABILITY OR FITNESS FOR ANY PURPOSE, WHICH ARE EXPRESSLY DISCLAIMED). SOME STATES OR JURISDICTIONS DO NOT ALLOW THE EXCLUSION OF EXPRESS OR IMPLIED WARRANTIES, SO THE ABOVE EXCLUSION MAY NOT APPLY TO YOU. IN THAT EVENT, SUCH WARRANTIES ARE LIMITED IN DURATION TO THE LIMITED WARRANTY PERIOD. SOME STATES OR JURISDICTIONS DO NOT ALLOW LIMITATIONS ON HOW LONG AN IMPLIED WARRANTY LASTS OR THE EXCLUSION OR LIMITATION OF INCIDENTAL OR CONSEQUENTIAL DAMAGES, SO THE ABOVE LIMITATIONS AND/OR EXCLUSIONS MAY NOT APPLY TO YOU.**

**LIMITATION OF LIABILITY:** In no event shall Eaton be liable for any indirect, incidental, special or consequential damages of any kind or type whatsoever, resulting from or in connection with any claim or cause of action, whether brought in contract or in tort (including negligence and strict liability). Some States or jurisdictions do not allow the exclusion of limitation of incidental or consequential damages, so the above limitation or exclusion may not apply to you. Eaton shall not be responsible for failure to provide service or parts due to causes beyond Eaton's reasonable control. In no case will Eaton's liability under this Warranty exceed the replacement value of the Warranted Items.

**END-USER'S OBLIGATIONS:** In order to receive the benefits of this Warranty, the End-User must register the product warranty (via mail or online at [www.eaton.com/pg/register](http://www.eaton.com/pg/register) "product registration"); use the Product in a normal way; follow the Product's user's guide; and protect against further damage to the Product if there is a covered defect.

**OTHER LIMITATIONS:** Eaton's obligations under this Warranty are expressly conditioned upon receipt by Eaton of all payments due to it (including interest charges, if any). During such time as Eaton has not received payment of any amount due to it for the Product, in accordance with the contract terms under which the Product is sold, Eaton shall have no obligation under this Warranty. Also during such time, the period of this Warranty shall continue to run and the expiration of this Warranty shall not be extended upon payment of any overdue or unpaid amounts.

**COSTS NOT RELATED TO WARRANTY:** The End-User shall be invoiced for, and shall pay for, all services not expressly provided for by the terms of this Warranty, including without limitation site calls involving an inspection that determines no corrective maintenance is required. Any costs for replacement equipment, installation, materials, freight charges, travel expenses, or labor of Eaton representatives outside the terms of this Warranty will be borne by the End-User.

**OBTAINING WARRANTY SERVICE:** In the USA, call the Eaton Customer Reliability Center 7x24 at 800-843-9433. Outside of the USA, call your local Eaton sales or service representative, or call the Eaton Customer Reliability Center in the United States at 919845-3633. For comments or questions about this Limited Factory Warranty, write to the Customer Quality Representative, 8609 Six Forks Road, Raleigh, North Carolina 27615 USA.





164000228 08