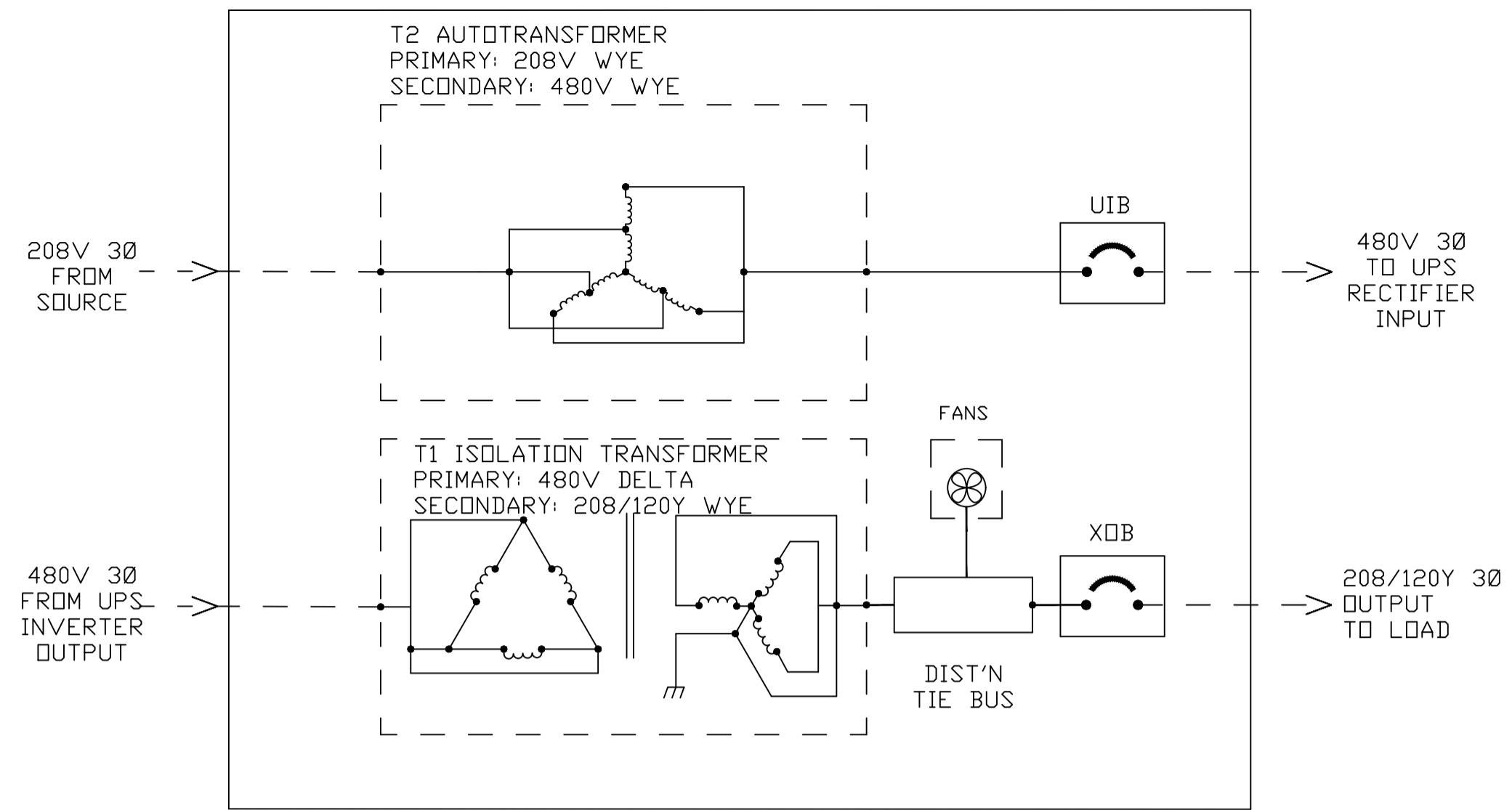
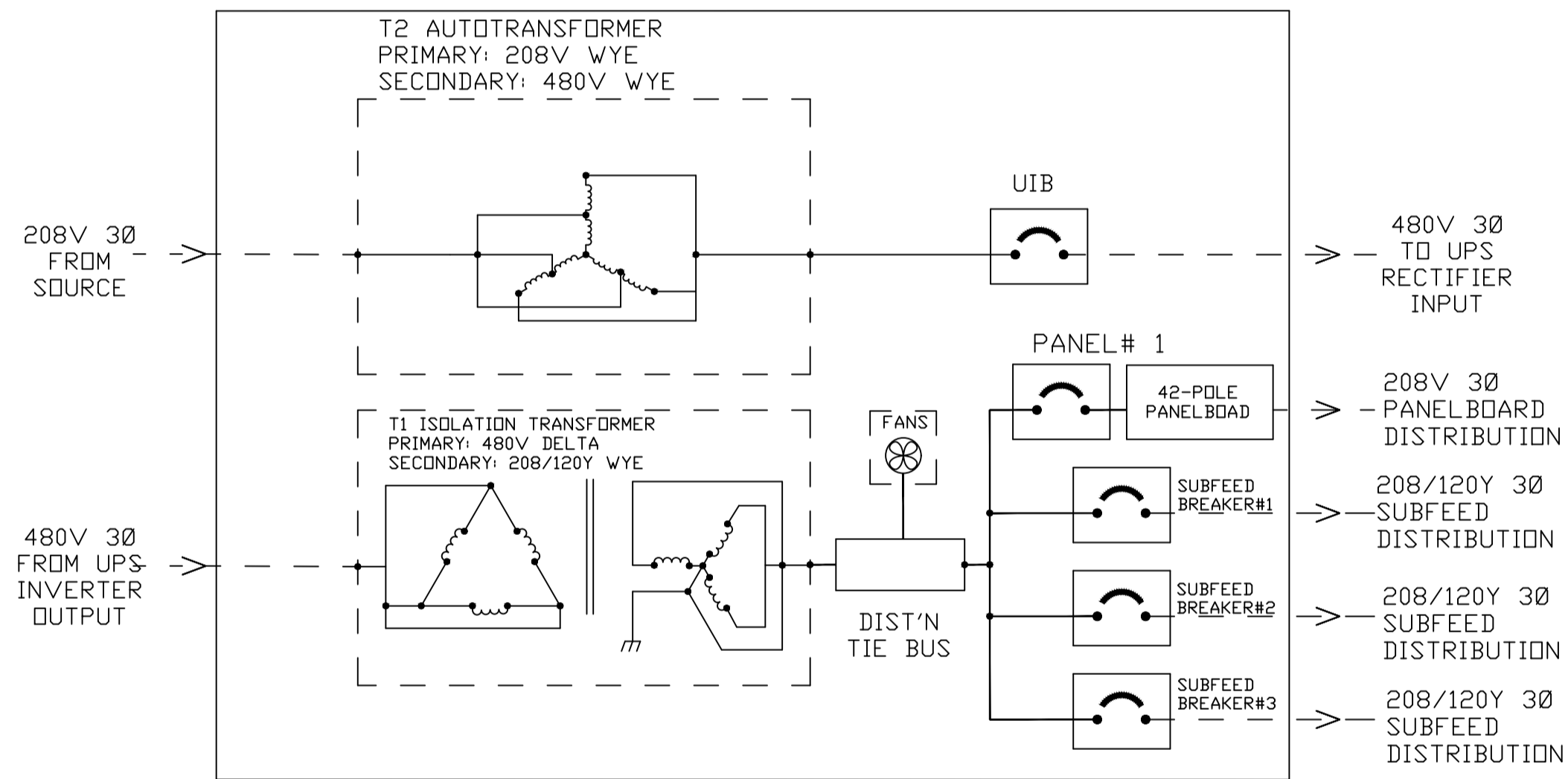


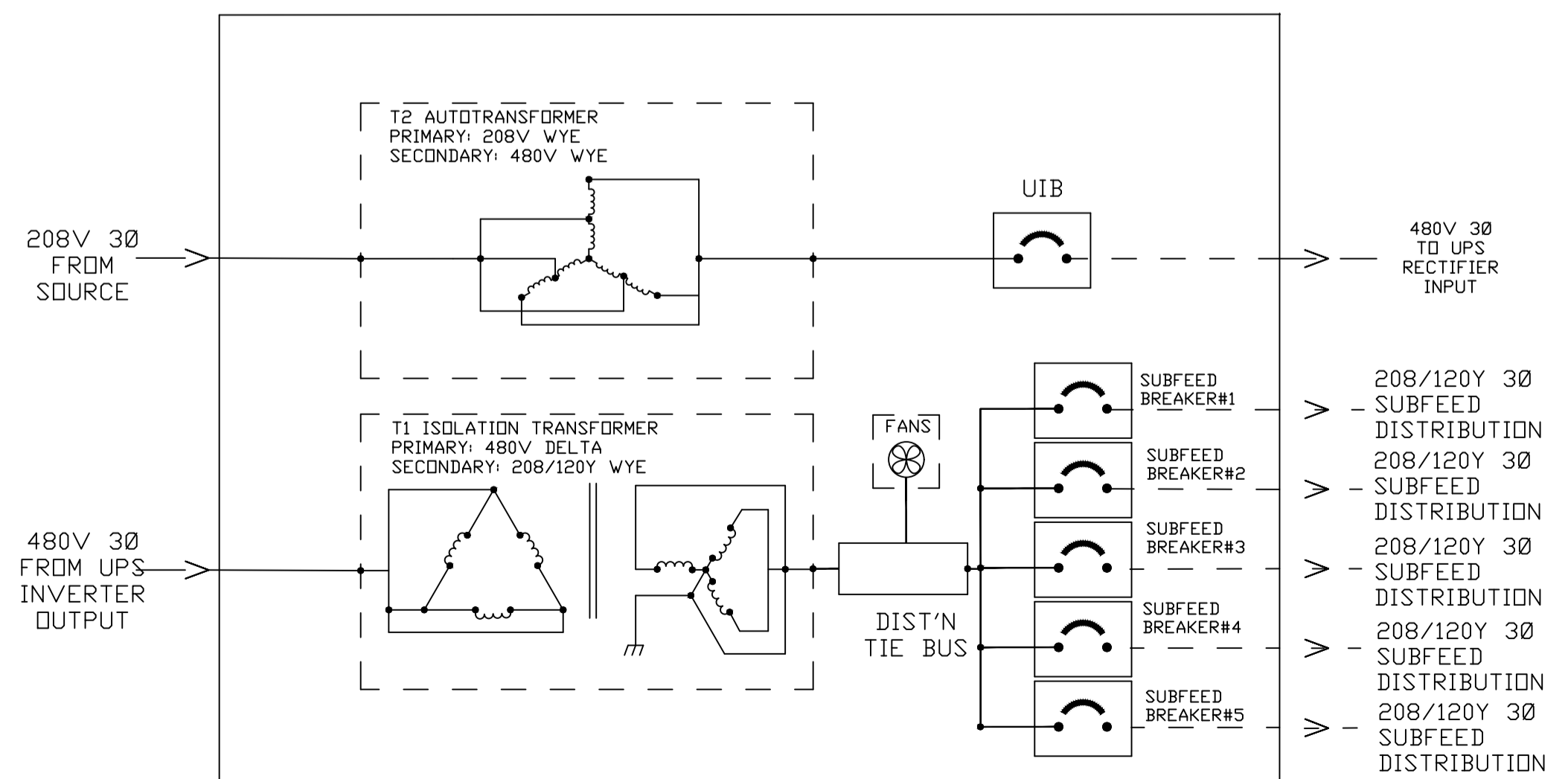
208/208 NO DISTRIBUTION (50kW and 100kW)



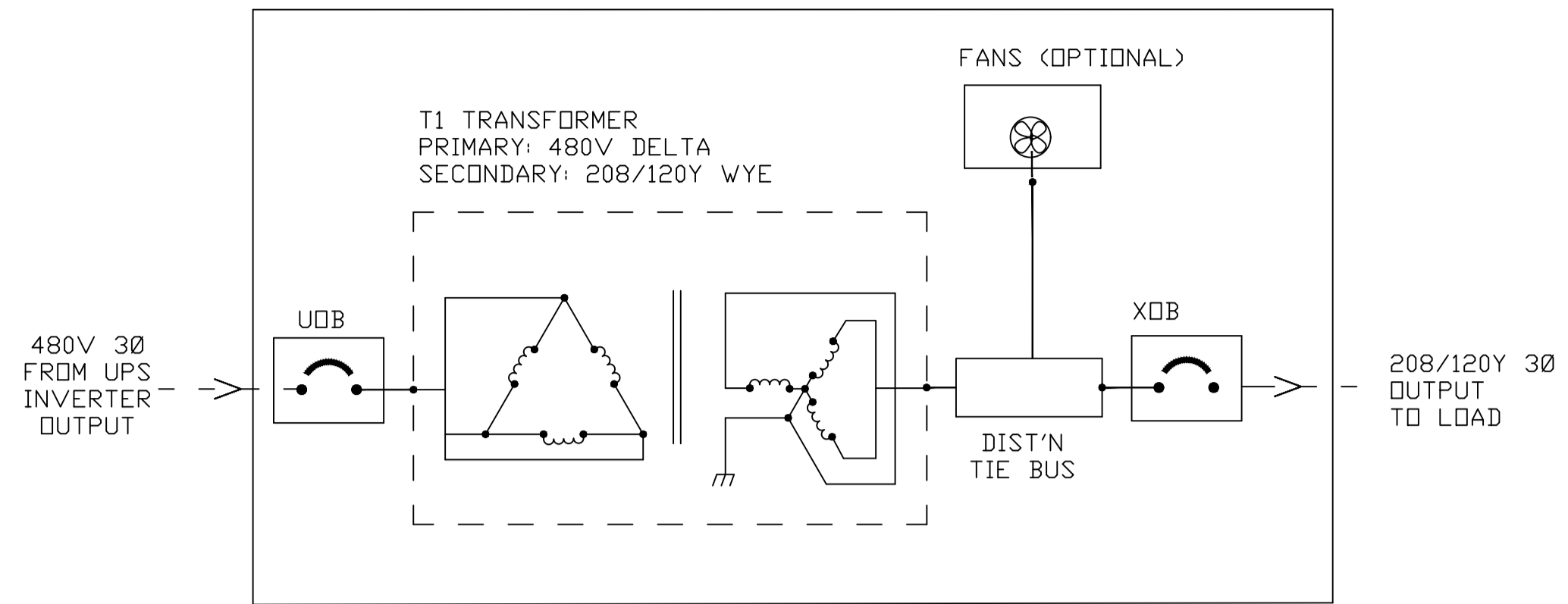
208/208 TOP 225A PRL1A 42-POLE PANELBOARD + 3 SUBFEEDS (100kW)



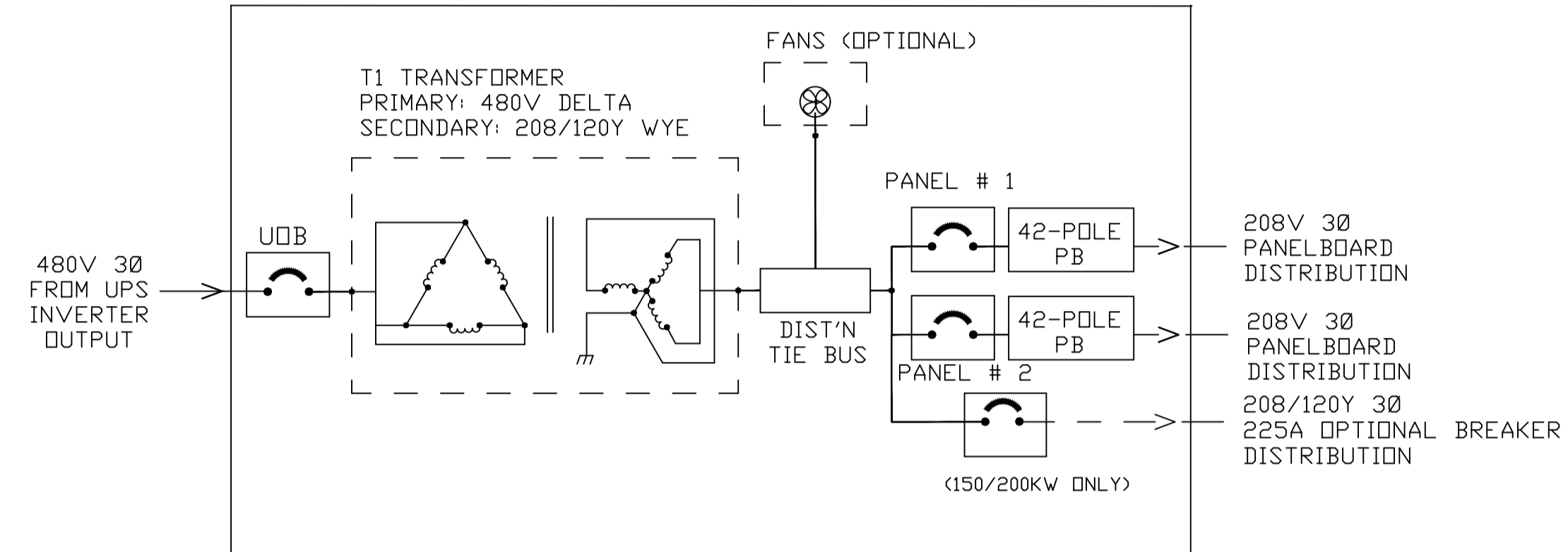
208/208 5 SUBFEEDS(100kW)



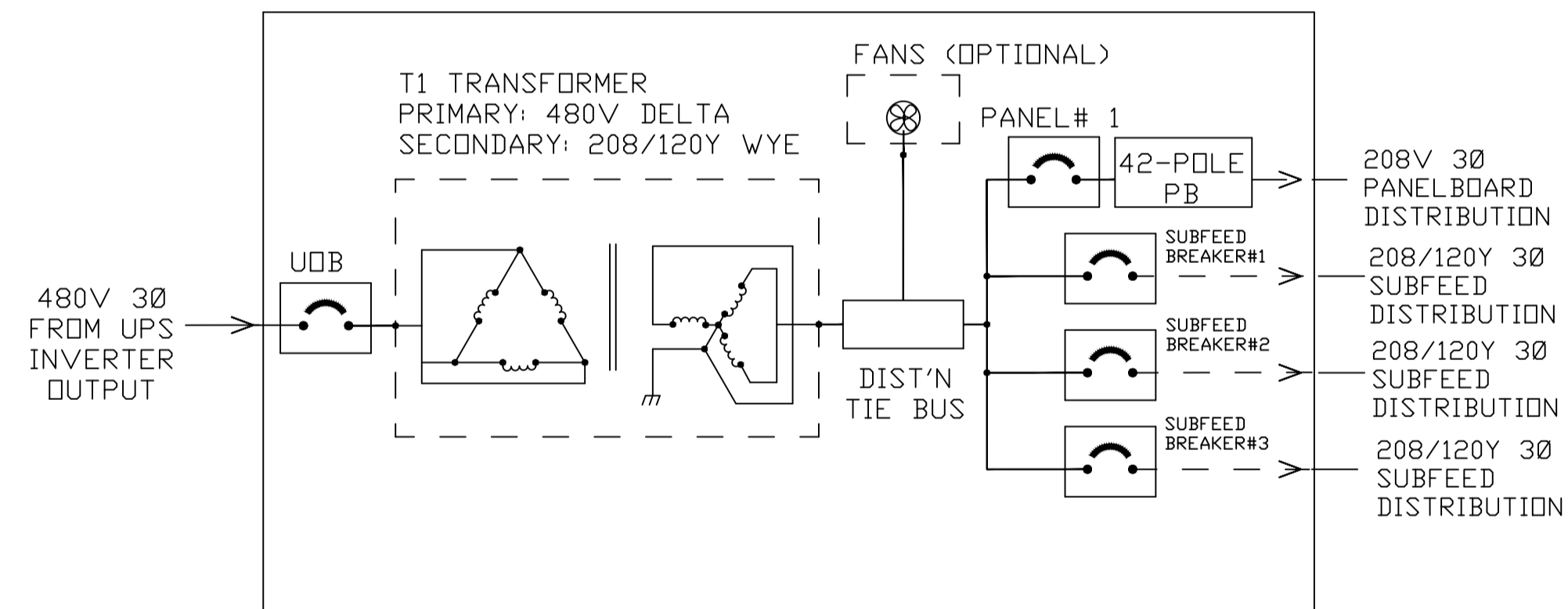
480/208 NO DISTRIBUTION (50kW, 100kW, 150kW, 200kW)



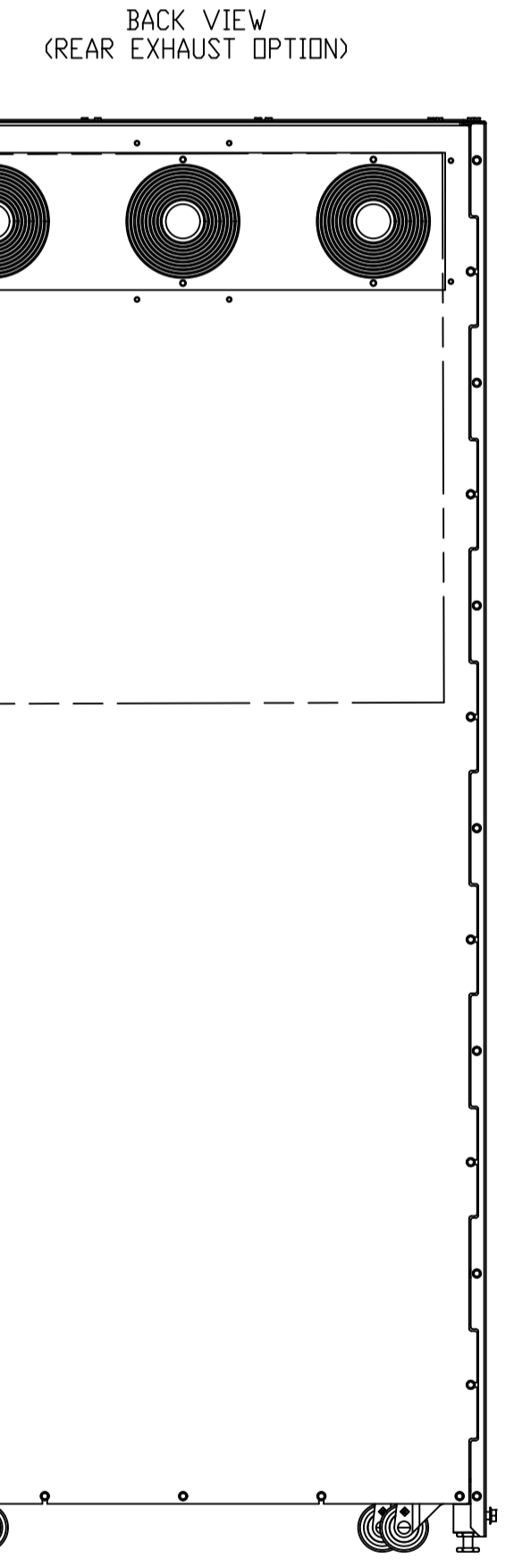
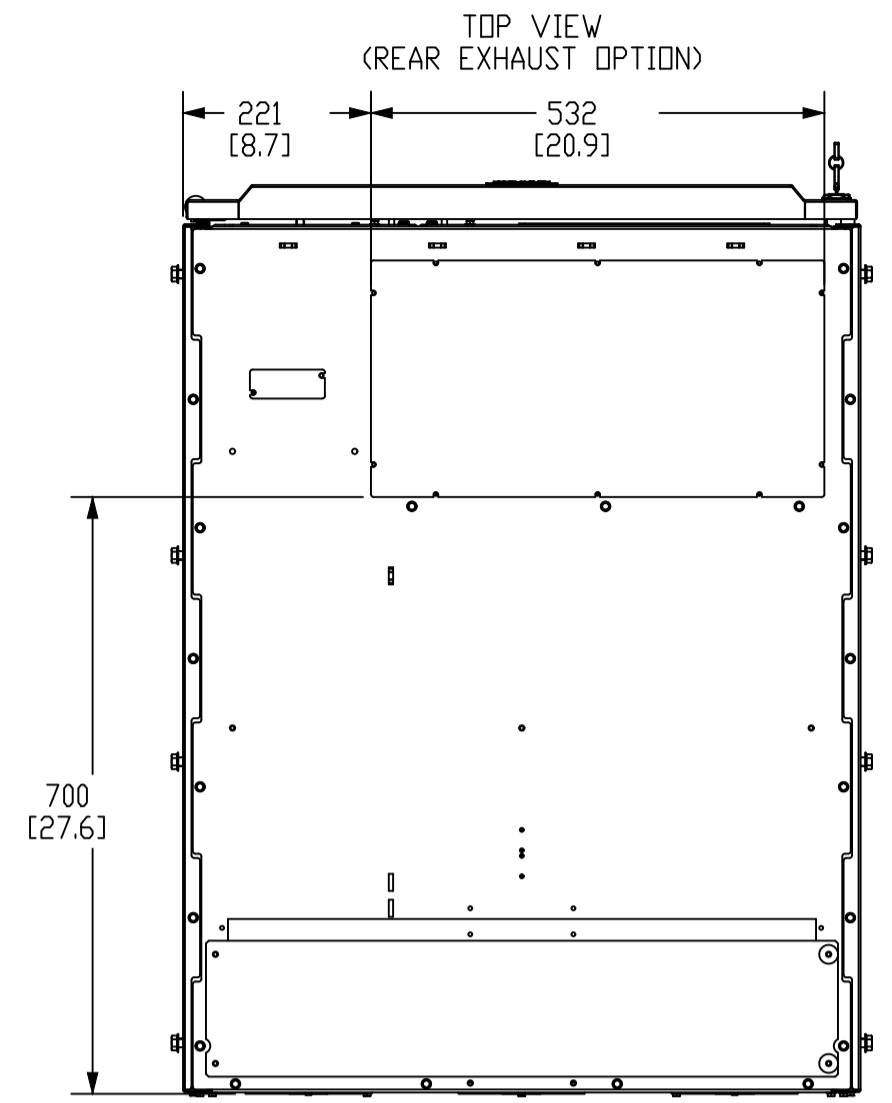
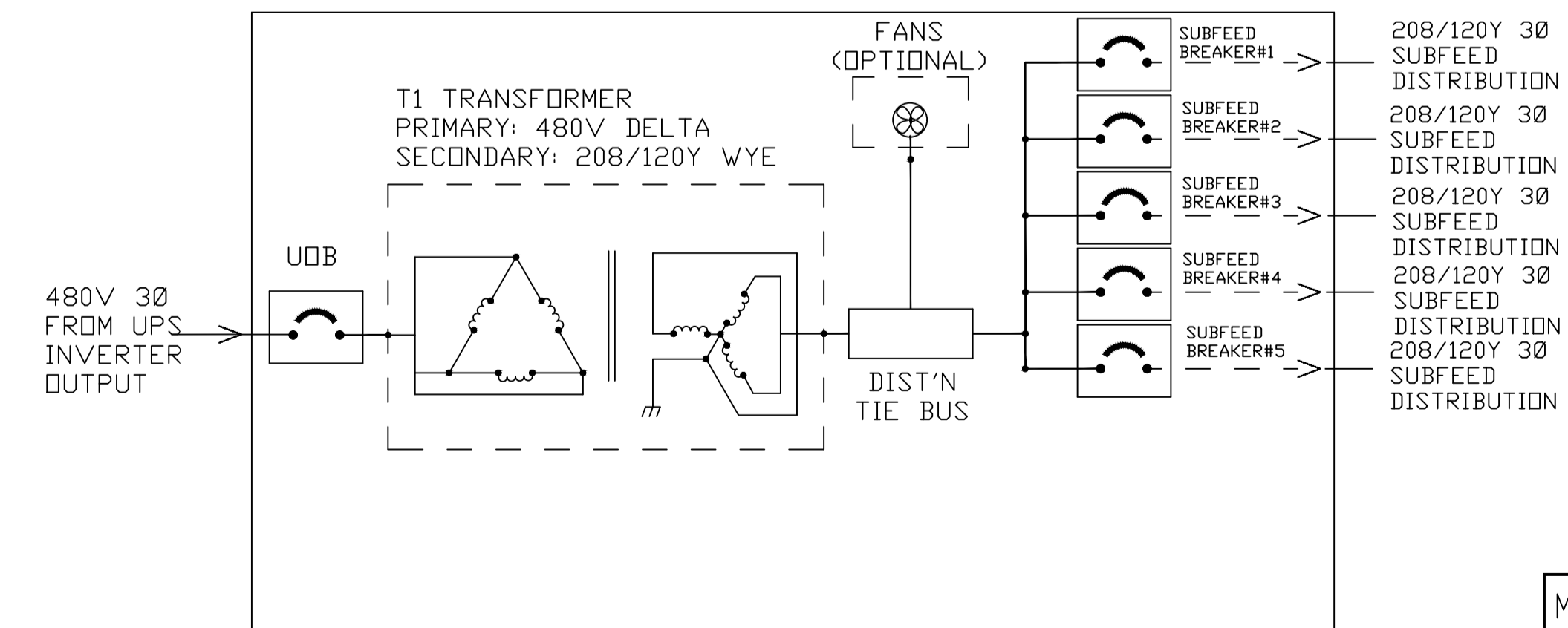
480/208 (2) 42-POLE PANELBOARD (50kW, 100kW, 150kW, 200kW)



480/208 TOP 225A PRL1A 42-POLE PANELBOARD + 3 SUBFEEDS (50kW, 100kW, 150kW, 200kW)



480/208 5 SUBFEEDS(50kW, 100kW, 150kW, 200kW)



- NOTES:
1. ALL CIRCUIT BREAKERS ARE 3-POLE. NEUTRAL AND GROUND CONNECTIONS ARE NOT SHOWN IN THE ABOVE DIAGRAMS. REFER TO SCHEMATICS FOR DETAILS.
 2. TOP EXHAUST OPTION COMES WITH FANS.
 3. REAR EXHAUST OPTION COMES WITH NO FANS.
 4. EATON PRL1A 42-POLE PANELBOARD ACCEPTS BAB OR QBHW BOLT-ON TYPE BRANCH BREAKERS.
 5. WIRE PER NFPA 70: NATIONAL ELECTRIC CODE FOR SELECTED CIRCUIT BREAKER TRIP RATING.

METRIC		EATON CORPORATION		EATON	
DIMENSIONS ARE IN MILLIMETERS AFTER PLATING DIMENSIONS AND TOLERANCES IN ACCORDANCE WITH ASME Y14.5M-1994. SEE NOTES FOR TOLERANCES.					
DESCRIPTION: 93PM IAC-D SITE PLAN					
ORIGINATED: RANDIEV_A	SEP-20-2012	ECD: ECD-137772	NAME:	REVISION: 12	SIZE: A1
MODIFIED: ASHAH	30 MAR 2018			SCALE:	1:50
CHECKED:		DOCUMENT TYPE:	P-110000116	STATE: RELEASE	SHEET:
SKETCH:		PROD-E: DRAWING			2 OF 3
APPROVED:					

IAC-D RATING (KVA)	CUSTOMER WIRING	ACCEPTED WIRE RANGE	TORQUE RATING N·M [IN-LB]	RECOMMENDED MINIMUM WIRE SIZE FOR 75 DEG C COPPER STRANDED WIRE
50 KVA	480V INPUT PHASE WIRE	(1) 14 AWG TO 1/0	5.6 [50]	(1) 3 AWG
	480V INPUT BONDING GROUND WIRE	14 AWG TO 1/0	5.1 [45]	(1) 8 AWG
	OUTPUT PHASE WIRE (NO DISTRIBUTION BREAKER)	(1) 3 AWG TO 350 MCM	31 [275]	(1) 250MCM
	OUTPUT NEUTRAL WIRE (NO DISTRIBUTION BREAKER)	(2) 6 AWG TO 300 MCM	31 [275]	(2) 4/0
	OUTPUT GROUND WIRE (NO DISTRIBUTION BREAKER)	14 AWG TO 1/0	5.6 [50]	(1) 3 AWG
	208V INPUT PHASE WIRE	(2) 6 AWG TO 300 MCM	31 [275]	(1) 250 MCM
	208V INPUT BONDING GROUND WIRE	(2) 14 AWG TO 1/0	5.1 [45]	(1) 4 AWG
	480V OUTPUT PHASE WIRE TO UPS	(1) 14 AWG TO 1/0	5.6 [50]	(1) 2 AWG
	480V OUTPUT TO UPS BONDING GROUND WIRE	(2) 14 AWG TO 1/0	5.1 [45]	(1) 8 AWG
	480V INPUT PHASE WIRE FROM UPS	(1) 6 AWG TO 500 MCM	56.5 [500]	(1) 3 AWG
100 KVA	480 V INPUT FROM UPS BONDING GROUND WIRE	(2) 14 AWG TO 1/0	5.1 [45]	(1) 8 AWG
	480V INPUT PHASE WIRE	(1) 4 AWG TO 350 MCM	20 [177]	(1) 2/0
	480V INPUT BONDING GROUND WIRE	14 AWG TO 1/0	5.1 [45]	(1) 6 AWG
	OUTPUT PHASE WIRE (NO DISTRIBUTION BREAKER)	(2) 2 AWG TO 500 MCM	42 [372]	(2) 250 MCM
	OUTPUT NEUTRAL WIRE (NO DISTRIBUTION BREAKER)	(4) 6 AWG TO 300 MCM	31 [275]	(4) 2/0
	OUTPUT GROUND WIRE (NO DISTRIBUTION BREAKER)	14 AWG TO 1/0	5.6 [50]	(1) 3 AWG
	208V INPUT PHASE WIRE	(2) 6 AWG TO 300 MCM	31 [275]	(2) 250 MCM
	208V INPUT BONDING GROUND WIRE	(2) 14 AWG TO 1/0	5.1 [45]	(2) 2 AWG
	480V OUTPUT PHASE WIRE TO UPS	(1) 4 AWG TO 4/0	5.6 [50]	(1) 4/0
	480V OUTPUT TO UPS BONDING GROUND WIRE	(2) 14 AWG TO 1/0	5.1 [45]	(1) 6 AWG
480V INPUT PHASE WIRE FROM UPS	(1) 6 AWG TO 500 MCM	56.5 [500]	(1) 2/0	
480 V INPUT FROM UPS BONDING GROUND WIRE	(2) 14 AWG TO 1/0	5.1 [45]	(1) 6 AWG	

PRODUCT SPECIFICATIONS										
IAC-D RATING	AC INPUT VOLTAGE	AC OUTPUT VOLTAGE	AC INPUT CURRENT	AC OUTPUT CURRENT	OUTPUT VOLTAGE TO UPS	INPUT VOLTAGE FROM UPS	OUTPUT CURRENT TO UPS	INPUT CURRENT FROM UPS	MAX HEAT DISSIPATION AT 100% LOAD [WITH (2) 225A PANELBOARDS]	MINIMUM REQUIRED AIRFLOW AT FULL LOAD
KVA	V	V	AMP	AMP	V	V	AMP	AMP	KW [BTU/HR]	CFM
50	480	208/120	60	139	N/A	N/A	N/A	N/A	2.58 [8803]	NATURAL CONVECTION
50	208	208/120	174	139	480	480	75	60	4.36 [14877]	678
100	480	208/120	120	277	N/A	N/A	N/A	N/A	4.18 [14268]	678
100	208	208/120	347	277	480	480	150	120	5.62 [19176]	678
150	480	208/120	180	416	N/A	N/A	N/A	N/A	2.98 [10168]	678
200	480	208/120	240	555	N/A	N/A	N/A	N/A	3.50 [11943]	678

IMPEDANCE VALUE FOR TRANSFORMERS										
VENDOR P/N	IMPEDANCE (%)	EATON P/N	DESCRIPTION							
WPN12131	3.37	P-149000005-131	100 KVA, K13,NDN TP1 480/208 DELTA/WYE TRANSFORMER							
WPN12132	3.3	P-149000005-132	100 KVA, K13,TP1 480/208 DELTA/WYE TRANSFORMER							
WPN19131	3.9	P-149000015-131	200 KVA, K13,NDN TP1 480/208 DELTA/WYE TRANSFORMER							
WPN19132	3.9	P-149000015-132	200 KVA, K13,TP1 480/208 DELTA/WYE TRANSFORMER							
WPN49131	6.1	P-149000032-131	150 KVA, K13,NDN TP1 480/208 DELTA/WYE TRANSFORMER							
WPN49132	3	P-149000032-132	150 KVA, K13,TP1 480/208 DELTA/WYE TRANSFORMER							
WPN50131	2.77	P-149000019-131	50 KVA, K13,NDN TP1 480/208 DELTA/WYE TRANSFORMER							
WPN50132	3.9	P-149000019-132	50 KVA, K13,TP1 480/208 DELTA/WYE TRANSFORMER							
WPN12011	4	P-149000005-011	100 KVA, K1, NDN TP1,480/208 DELTA/WYE TRANSFORMER							
WPN12012	3.99	P-149000005-012	100 KVA, K1,TP1,480/208 DELTA/WYE TRANSFORMER							
WPN19011	5.7	P-149000015-011	200 KVA, K1, NDN TP1,480/208 DELTA/WYE TRANSFORMER							
WPN19012	5.7	P-149000015-012	200 KVA, K1,TP1,480/208 DELTA/WYE TRANSFORMER							
WPN49011	5.02	P-149000032-011	150 KVA, K1, NDN TP1,480/208 DELTA/WYE TRANSFORMER							
WPN49012	4.56	P-149000032-012	150 KVA, K1,TP1,480/208 DELTA/WYE TRANSFORMER							
WPN50011	3.2	P-149000019-011	50 KVA, K1, NDN TP1,480/208 DELTA/WYE TRANSFORMER							
WPN50012	3.3	P-149000019-012	50 KVA, K1,TP1,480/208 DELTA/WYE TRANSFORMER							
NA	MIN. 2.5	P-149000026	100 KVA AUTO TRANSFORMER							
NA	MIN. 2.5	P-149000029	50 KVA AUTO TRANSFORMER							

IAC-D RATING (KVA)	CUSTOMER WIRING	ACCEPTED WIRE RANGE	TORQUE RATING N·M [IN-LB]	RECOMMENDED MINIMUM WIRE SIZE FOR 75 DEG C COPPER STRANDED WIRE	
150 KVA	480V INPUT PHASE WIRE	(2) 2/0 TO 250 MCM	31 [275]	(2) 2/0	
	480V INPUT BONDING GROUND WIRE	14 AWG TO 1/0	5.1 [45]	(2) 4 AWG	
	OUTPUT PHASE WIRE (NO DISTRIBUTION BREAKER)	CUSTOMER SUPPLIED LONG BARREL 2-HOLE LUG	-	(3) 250MCM	
	OUTPUT NEUTRAL WIRE (NO DISTRIBUTION BREAKER)	CUSTOMER SUPPLIED LONG BARREL 2-HOLE LUG	-	(3) 500MCM	
	OUTPUT GROUND WIRE (NO DISTRIBUTION BREAKER)	14 AWG TO 1/0	5.6 [50]	(1) 1 AWG	
200 KVA	480 V INPUT PHASE WIRE	(2) 2/0 TO 250 MCM	31 [275]	(2) 2/0	
	480V INPUT BONDING GROUND WIRE	14 AWG TO 1/0	5.1 [45]	(1) 1 AWG	
	OUTPUT PHASE WIRE (NO DISTRIBUTION BREAKER)	CUSTOMER SUPPLIED LONG BARREL 2-HOLE LUG	-	(4) 250 MCM	
	NEUTRAL WIRE (NO DISTRIBUTION BREAKER)	CUSTOMER SUPPLIED LONG BARREL 2-HOLE LUG	-	(4) 500 MCM	
	OUTPUT GROUND WIRE (NO DISTRIBUTION BREAKER)	14 AWG TO 1/0	5.6 [50]	(1) 3 AWG	
150 KVA 200 KVA	OUTPUT PHASE WIRE 225A OPTIONAL BREAKER	(2) 6 AWG TO 300 MCM	31 [275]	(2) 3/0	
	OUTPUT NEUTRAL WIRE (225A OPTIONAL BREAKER)	(2) 6 AWG TO 300 MCM	31 [275]	(2) 300 MCM	
50 KVA 100 KVA 150 KVA 200KVA	OUTPUT PHASE WIRE (SUBFEED BREAKERS)	(1) 6 AWG TO 500 MCM	20 [177]	SEE NOTE 5	
	OUTPUT NEUTRAL WIRE (SUBFEED BREAKERS)	(2) 6 AWG TO 300 MCM	31 [275]		
	OUTPUT GROUND WIRE (SUBFEED BREAKERS)	14 AWG TO 1/0	5.1 [45]		
	PANELBOARD NEUTRAL WIRE	(64) 6 AWG TO 14 AWG	6 TO 8 AWG	2.8 [25]	SEE NOTE 4 (SHEET 2)
			10 TO 14 AWG	1.7 [15]	
			4 TO 6 AWG	5.0 [45]	
	(22) 1/0	8 AWG	4.5 [40]		
		10 TO 14 AWG	4.0 [35]		
		6 TO 8 AWG	2.8 [25]		
	PANELBOARD GROUND WIRE	(32) 6 AWG TO 14 AWG	10 TO 14 AWG	1.7 [15]	SEE NOTE 4 (SHEET 2)
4 TO 6 AWG			5.0 [45]		
8 AWG			4.5 [40]		
(11) 1/0	10 TO 14 AWG	4.0 [35]			

FUSE AND BREAKER INFORMATION - IAC-D														
IAC-D RATING	UPS OUTPUT BREAKER (UOB)		UPS INPUT BREAKER (UIB) (208/208)		XDB (NO DISTRIBUTION)		SUBFEED BREAKER		OPTIONAL BREAKER	PANELBOARD MAIN BREAKER 225A		PANELBOARD MAIN BREAKER 400A	MANUFACTURED BY	
	KVA	STANDARD KAIC	HIGH KAIC	STANDARD KAIC	HIGH KAIC	STANDARD KAIC	HIGH KAIC	STANDARD KAIC		HIGH KAIC	STD KAIC			HIGH KAIC
50	FD3080L	HFD3080L	FD3100L	HFD3100L	KD3175W	HKD3175W	JGS325033WZ1	JGH325033WZ1	FD3225L	FD3225	HFD3225	-	-	EATON - CUTLER HAMMER
100	JGS3150FAWZ1	JGH3150FAWZ1	FD3200L	HFD3200L	LGE3350FAW	LGH3350FAW	JGS325033WZ1 OR JGS325033WZ1C	JGH325033WZ1C	FD3225L	FD3225	HFD3225	-	-	
150	KD3400F + KES3250LSI	HKD3400F + KES3250LSI	-	-	MDL3600	HMDL3600	JGS325033WZ1C	JGH325033WZ1C	FD3225L	FD3225	HFD3225	KD3400F +KT3400F	HKD3400F +KT3400F	
200	KD3300W	HKD3300W	-	-	MDL3700	HMDL3700	JGS325033WZ1C	JGH325033WZ1C	FD3225L	FD3225	HFD3225	KD3400F +KT3400F	HKD3400F +KT3400F	

IMPEDANCE VALUE FOR TRANSFORMERS			
VENDOR P/N	IMPEDANCE (%)	EATON P/N	DESCRIPTION
WPN12131	3.37	P-149000005-131	100 KVA, K13,NDN TP1 480/208 DELTA/WYE TRANSFORMER
WPN12132	3.3	P-149000005-132	100 KVA, K13,TP1 480/208 DELTA/WYE TRANSFORMER
WPN19131	3.9	P-149000015-131	200 KVA, K13,NDN TP1 480/208 DELTA/WYE TRANSFORMER
WPN19132	3.9	P-149000015-132	200 KVA, K13,TP1 480/208 DELTA/WYE TRANSFORMER
WPN49131	6.1	P-149000032-131	150 KVA, K13,NDN TP1 480/208 DELTA/WYE TRANSFORMER
WPN49132	3	P-149000032-132	150 KVA, K13,TP1 480/208 DELTA/WYE TRANSFORMER
WPN50131	2.77	P-149000019-131	50 KVA, K13,NDN TP1 480/208 DELTA/WYE TRANSFORMER
WPN50132	3.9	P-149000019-132	50 KVA, K13,TP1 480/208 DELTA/WYE TRANSFORMER
WPN12011	4	P-149000005-011	100 KVA, K1, NDN TP1,480/208 DELTA/WYE TRANSFORMER
WPN12012	3.99	P-149000005-012	100 KVA, K1,TP1,480/208 DELTA/WYE TRANSFORMER
WPN19011	5.7	P-149000015-011	200 KVA, K1, NDN TP1,480/208 DELTA/WYE TRANSFORMER
WPN19012	5.7	P-149000015-012	200 KVA, K1,TP1,480/208 DELTA/WYE TRANSFORMER
WPN49011	5.02	P-149000032-011	150 KVA, K1, NDN TP1,480/208 DELTA/WYE TRANSFORMER
WPN49012	4.56	P-149000032-012	150 KVA, K1,TP1,480/208 DELTA/WYE TRANSFORMER
WPN50011	3.2	P-149000019-011	50 KVA, K1, NDN TP1,480/208 DELTA/WYE TRANSFORMER
WPN50012	3.3	P-149000019-012	50 KVA, K1,TP1,480/208 DELTA/WYE TRANSFORMER
NA	MIN. 2.5	P-149000026	100 KVA AUTO TRANSFORMER
NA	MIN. 2.5	P-149000029	50 KVA AUTO TRANSFORMER

FUSE / PANELBOARD NAME	MANUFACTURER	PART NUMBER
FUSE	LITTLEFUSE / BUSSMAN	313001 / MDL1 (250V)
PB ASSY, PRL1A, 225A BOLT-ON CB	EATON - CUTLER HAMMER	122950146
PB ASSY, PRL1A 400A BOLT ON PB CH	EATON - CUTLER HAMMER	122950147

IAC-D	PACKAGED ENVELOPE DIMENSIONS		
	WIDTH	HEIGHT	DEPTH
	980[38.58]	1965[77.36]	1219 [48]

METRIC		EATON CORPORATION		EATON	
DESCRIPTION: 93PM IAC-D SITE PLAN					
ORIGINATOR: RANDEV_A	SEP-20-2012	ECD: ECD-137772	NAME:	REVISION: 12	SIZE: A1
MODIFIED: ASHAH	30 MAR 2018			STATE: RELEASE	SCALE: 1:50
CHECKED:		DOCUMENT TYPE:	P-110000116	SHEET:	3 OF 3
SAFETY:		PROJ.-E. DRAWING			
APPROVED:					

NOTICE: TO PREVENT MISUSE OF THIS DOCUMENT AND/OR TECHNICAL INFORMATION, THIS DOCUMENT IS THE PROPERTY OF EATON CORPORATION AND IS LOANED TO YOU. IT IS NOT TO BE REPRODUCED, COPIED, OR TRANSMITTED IN ANY FORM OR BY ANY MEANS, WITHOUT THE WRITTEN CONSENT OF EATON CORPORATION. ANY UNAUTHORIZED REPRODUCTION OR TRANSMISSION OF THIS DOCUMENT IS STRICTLY PROHIBITED. EATON CORPORATION SHALL NOT BE LIABLE FOR ANY DAMAGES, INCLUDING CONSEQUENTIAL DAMAGES, ARISING FROM THE USE OF THIS DOCUMENT. EATON CORPORATION SHALL NOT BE LIABLE FOR ANY DAMAGES, INCLUDING CONSEQUENTIAL DAMAGES, ARISING FROM THE USE OF THIS DOCUMENT.