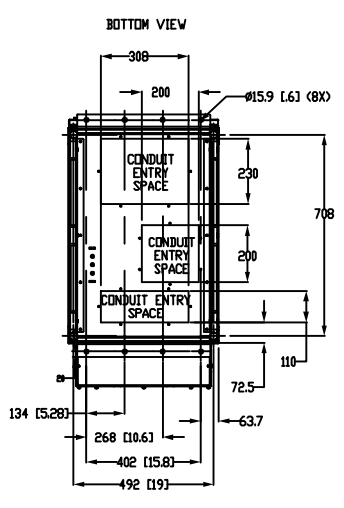
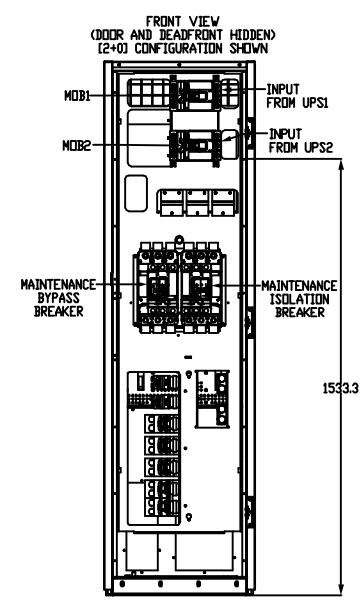
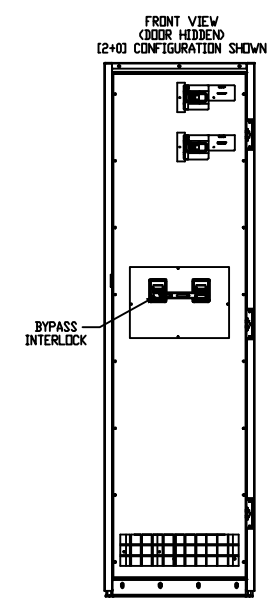
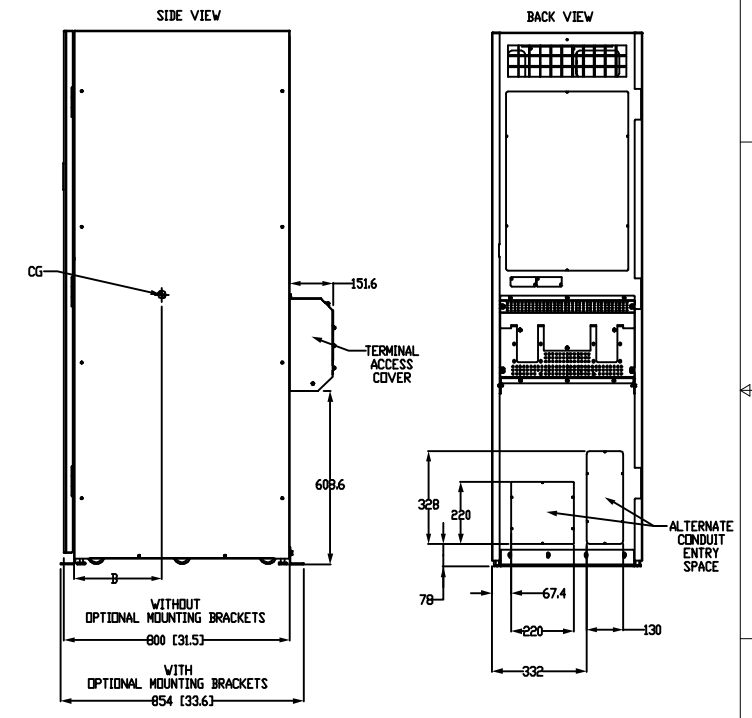
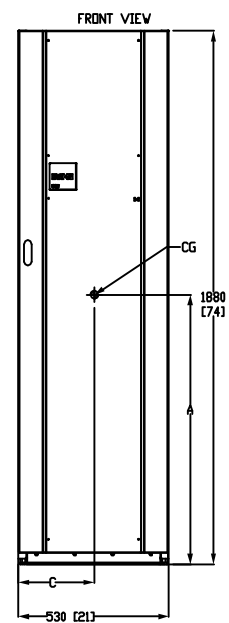
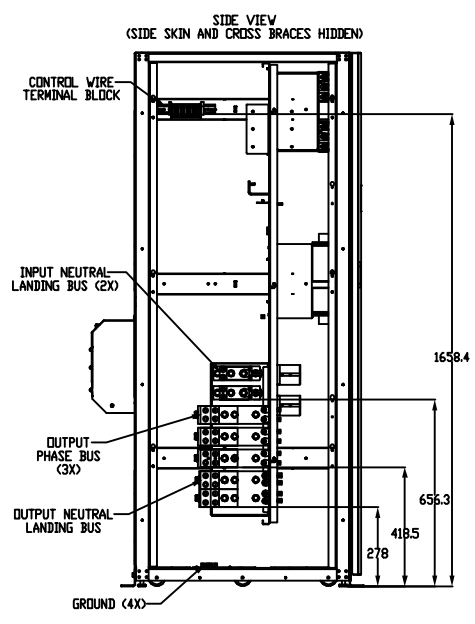
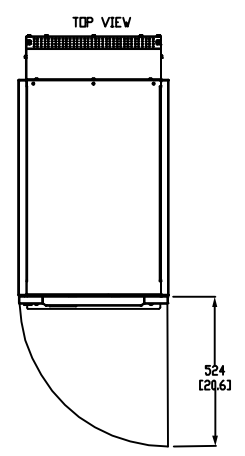
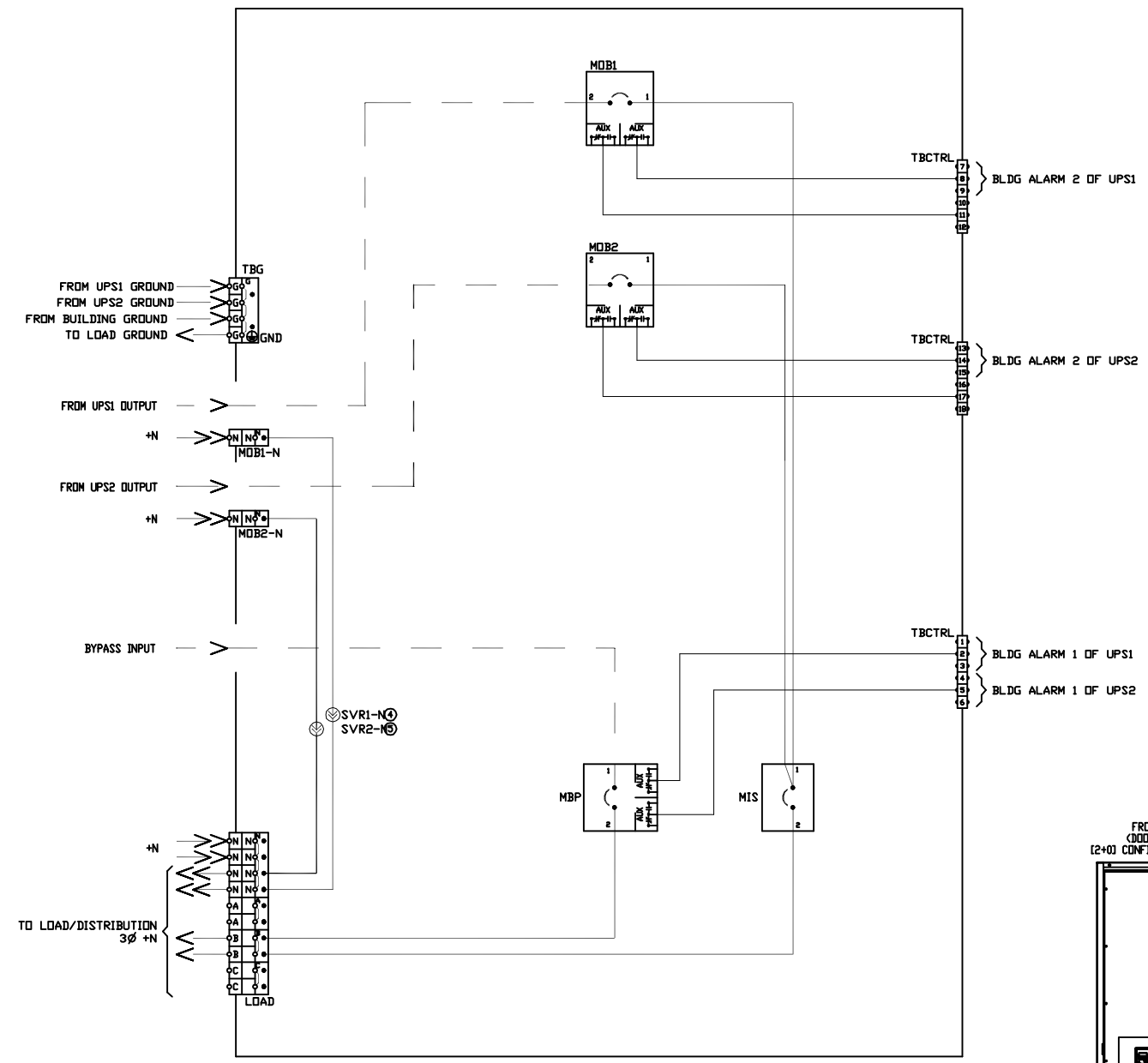


8 7 6 5 4 3 2 1

H G F E D C B A

### EATON 93E 60IAC-TB [2+0]

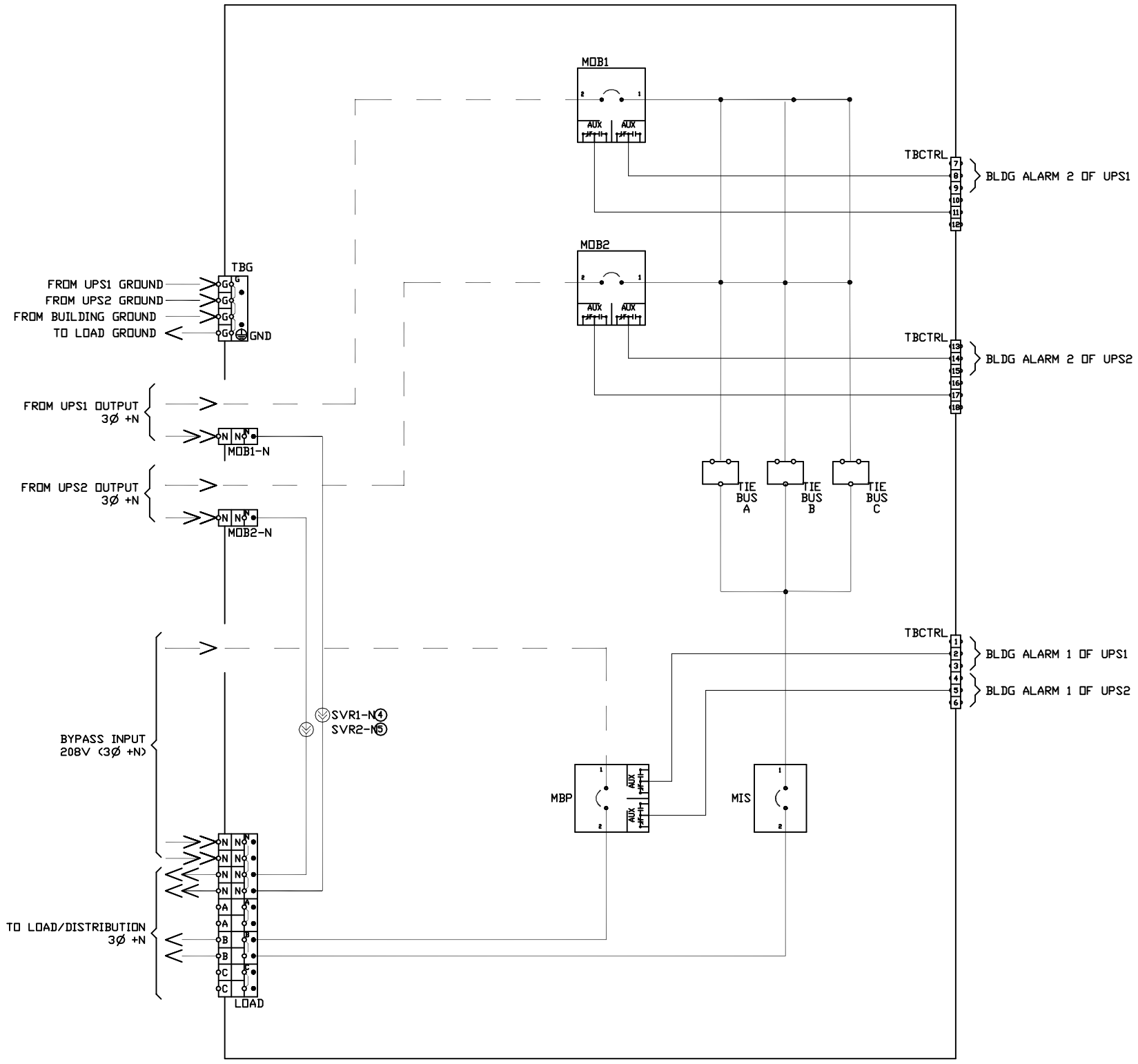


- NOTES:**
- FOR OPTIONAL MOUNTING BRACKETS, INSTALLED HEIGHT WITH MOUNTING BRACKETS IS 1876 MM (73.85").
  - WEIGHT AND CENTER OF GRAVITY: SEE TABLE.
  - THE SYSTEM MUST BE INSTALLED IN A TEMPERATURE AND HUMIDITY CONTROLLED INDOOR AREA FREE OF CONDUCTIVE CONTAMINANTS.
  - AMBIENT TEMPERATURE RANGE 0 - 30° C (32 - 86° F) MAXIMUM RELATIVE HUMIDITY 95% NON-CONDENSING.
  - MINIMUM 900 MM (36 IN.) FRONT ACCESS AND 900 MM (36 IN.) REAR ACCESS NEEDED FOR SERVICING.
  - MINIMUM 200 MM (8 IN.) CLEARANCE IN FRONT IS NEEDED FOR DOOR SWING.
  - THE ACCESSORY CABINET CAN BE INSTALLED IN A LINE-UP-AND-MATCH OR STANDALONE CONFIGURATION.
  - SHIPPING BRACKETS MUST REMAIN INSTALLED WHEN THE ACCESSORY CABINET IS USED IN A STANDALONE CONFIGURATION. CABINET TIE BRACKETS MUST BE INSTALLED WHEN THE ACCESSORY CABINET IS USED IN A LINE-UP-AND-MATCH CONFIGURATION.
  - BOTTOM OR REAR CABLE ENTRY THROUGH REMOVABLE CONDUIT LANDING PLATES.
  - ALL WIRING IS TO BE IN ACCORDANCE WITH NATIONAL AND LOCAL ELECTRIC CODES.
  - SOURCE INPUT TO TIE WITH BYPASS CABINET: 3 PHASES, NEUTRAL, GROUND. OUTPUT FROM TIE WITH BYPASS CABINET: 3 PHASES, NEUTRAL, GROUND.

<b>METRIC</b>		EATON CORPORATION, ELECTRICAL		<b>EATON</b>
DESCRIPTION: SITE PLAN DRAWING, 93E 60 IAC-TB				
DESIGNED BY: M. Carnes	DATE: 26-AUG-2013	UNLESS OTHERWISE SPECIFIED TOLERANCES ON DIMENSIONS ARE: DIMENSIONS IN MILLIMETERS UNLESS OTHERWISE SPECIFIED	SCALE: 1:1	DATE: 26-AUG-2013
PROJ: 60-053415	STATUS: Release	REVISIONS: NO. DESCRIPTION	BY: J. J. J.	DATE: 26-AUG-2013
DRAWN BY: M. Carnes		CHECKED BY: J. J. J.		
DATE: 26-AUG-2013		DATE: 26-AUG-2013		
PROJECT: 60-053415		PROJECT: 60-053415		
DRAWING: 60-053415-001		DRAWING: 60-053415-001		
DATE: 26-AUG-2013		DATE: 26-AUG-2013		
BY: M. Carnes		BY: J. J. J.		
DATE: 26-AUG-2013		DATE: 26-AUG-2013		
PROJECT: 60-053415		PROJECT: 60-053415		
DRAWING: 60-053415-001		DRAWING: 60-053415-001		
DATE: 26-AUG-2013		DATE: 26-AUG-2013		
BY: M. Carnes		BY: J. J. J.		
DATE: 26-AUG-2013		DATE: 26-AUG-2013		

8 7 6 5 4 3 2 1

EATON 93E 60IAC-TB [1+1]



PRODUCT SPECIFICATIONS							
TIE WITH BYPASS CABINET RATING		AC INPUT VOLTAGE	AC OUTPUT VOLTAGE	RECTIFIER AC INPUT CURRENT	INVERTER AC OUTPUT CURRENT	BYPASS AC INPUT VOLTAGE	BYPASS AC INPUT CURRENT
				NAMEPLATE	NAMEPLATE	NAMEPLATE	NAMEPLATE
KVA	CONFIGURATION	VAC	VAC	AMP	AMP	AMP	AMP
60	[1+1]	208Y/120	208Y/120	167	167	208Y/120	167
60	[2+0]	208Y/120	208Y/120	167	334	208Y/120	334

CUSTOMER WIRING				
WIRES	ACCEPTED WIRE RANGE	TORQUE RATING	RECOMMENDED MINIMUM WIRE SIZE FOR 90 DEG C COPPER STRANDED WIRE	
		Nm (LB*IN)	[1+1] CONFIGURATION	[2+0] CONFIGURATION
UPS OUTPUT PHASE WIRES	4 AWG TO 350 MCM	5.6 (50)	250 MCM	250 MCM
UPS OUTPUT NEUTRAL WIRE	(2) 250 MCM TO 6 AWG	31 (275)	(2) 250 MCM	(2) 250 MCM
BYPASS PHASE WIRES	[1+1] CONFIGURATION	4 AWG TO 350 MCM	250 MCM	N/A
	[2+0] CONFIGURATION	2 AWG TO (2) 500 MCM	N/A	(2) 250 MCM
BYPASS NEUTRAL WIRE	(4) 2 AWG TO 600 MCM	56 (500)	(2) 250 MCM	(4) 250 MCM
OUTPUT PHASE WIRES	[1+1] CONFIGURATION	(4) 2 AWG TO 600 MCM	250 MCM	N/A
	[2+0] CONFIGURATION	(4) 2 AWG TO 600 MCM	N/A	(2) 250 MCM
OUTPUT NEUTRAL WIRE	(4) 2 AWG TO 600 MCM	56 (500)	(2) 4/0	(4) 2 AWG
BONDING GROUND WIRE	14 AWG TO 1/0	5.6 (50)	2 AWG	2 AWG
BUILDING GROUND WIRE	14 AWG TO 1/0	5.6 (50)	2 AWG	1/0
LOAD GROUND WIRE	14 AWG TO 1/0	5.6 (50)	2 AWG	1/0

WEIGHT AND CENTER OF GRAVITY				
	A MM (IN.)	B MM (IN.)	C MM (IN.)	WEIGHT KG (LBS.)
[2+0] CONFIGURATION (WORSE CASE SCENARIO)	905 [35.6]	342 [13.5]	266 [10.5]	207 [456]

METRIC		EATON CORPORATION, ELECTRICAL		Eaton	
DESCRIPTION: SITE PLAN DRAWING, 93E 60 IAC-TB					
DESIGNED BY: M. Carnes	DATE: 26-AUG-2013	UNLESS OTHERWISE SPECIFIED TOLERANCES ON DIMENSIONS ARE:		SCALE: 2:25	
ECO: eco-053415	STATUS: Release	WELDED: 0.01	REWORKED: 0.01	2. OTHER: 0.25	DO NOT SCALE DIMENSIONS UNLESS INDICATED OTHERWISE
PRO-ENGINEER GENERATED		NET WEIGHT: P-110000031	REVISION: 004	SHEET: 2 of 2	

EATON CORPORATION - CONFIDENTIAL AND PROPRIETARY NOTICE TO PERSONS RECEIVING THIS DOCUMENT: THIS DOCUMENT CONTAINS TECHNICAL INFORMATION THAT IS THE PROPERTY OF EATON CORPORATION AND IS NOT TO BE REPRODUCED OR TRANSMITTED IN ANY FORM OR BY ANY MEANS, ELECTRONIC OR MECHANICAL, INCLUDING PHOTOCOPYING, RECORDING, OR BY ANY INFORMATION STORAGE AND RETRIEVAL SYSTEM, WITHOUT THE PRIOR WRITTEN CONSENT OF EATON CORPORATION. IN THE EVENT OF A DISPUTE, THE TERMS AND CONDITIONS OF THE PURCHASE ORDER SHALL APPLY. © 2013 Eaton Corporation. All rights reserved.