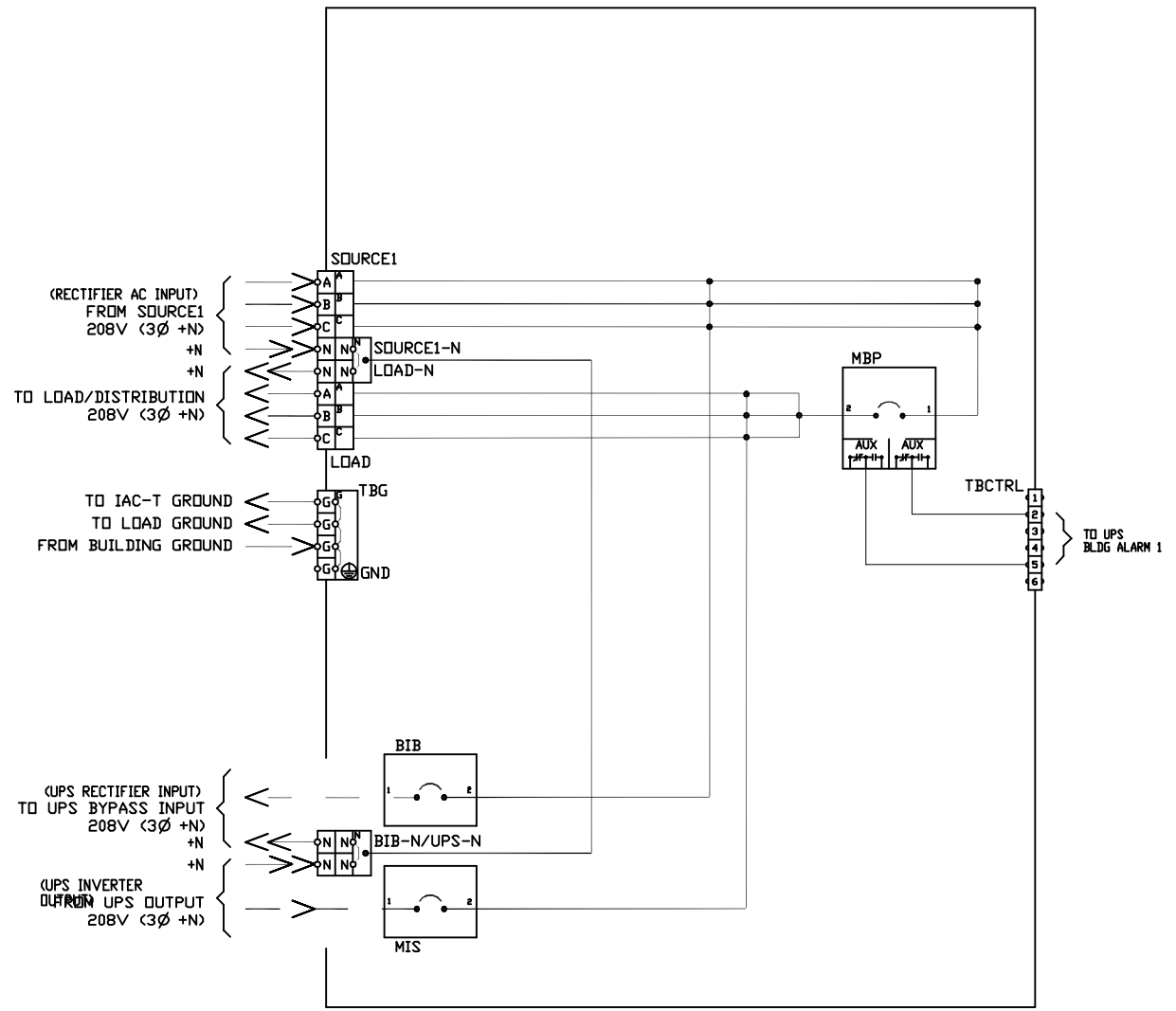


WEIGHT AND CENTER OF GRAVITY				
	A	B	C	WEIGHT
	MM [IN.]	MM [IN.]	MM [IN.]	KG [LBS.]
4 BREAKER CONFIGURATION	662 [26]	352 [14]	262 [10]	108 [237]

PRODUCT SPECIFICATIONS							
BYPASS CABINET RATING		AC INPUT VOLTAGE	AC OUTPUT VOLTAGE	RECTIFIER AC INPUT CURRENT	INVERTER AC OUTPUT CURRENT	BYPASS AC INPUT VOLTAGE	BYPASS AC INPUT CURRENT
				NAMEPLATE	NAMEPLATE	NAMEPLATE	NAMEPLATE
KVA	NUMBER OF BREAKERS	VAC	VAC	AMP	AMP	AMP	AMP
30	3	208Y/120	208Y/120	96	83	N/A	N/A
30	4	208Y/120	208Y/120	83	83	208Y/120	96

EATON 93E 30/60 IAC-B
(3-Breaker Version)



BIB: BYPASS INPUT BREAKER
MBP: MAINTENANCE BYPASS BREAKER
MIS: MAINTENANCE ISOLATION BREAKER

CUSTOMER WIRING (3 BREAKER CONFIGURATION)				
WIRES	ACCEPTED WIRE RANGE	TORQUE RATING	RECOMMENDED MINIMUM WIRE SIZE FOR 90 DEG C COPPER STRANDED WIRE	
		Nm (L.B.#In)	3 BREAKER CONFIGURATION	
PHASE WIRES	RECTIFIER AC INPUT	5.6 (50)	1/0	
	UPS INVERTER OUTPUT	5.6 (50)	1/0	
NEUTRAL WIRE	RECTIFIER AC INPUT	5.6 (50)	(2) 1/0	
	UPS INVERTER OUTPUT	5.6 (50)	(2) 1/0	
UPS RECTIFIER INPUT PHASE WIRES		5.6 (50)	1/0	
UPS RECTIFIER INPUT NEUTRAL WIRE		5.6 (50)	(2) 1/0	
OUTPUT PHASE WIRES		5.6 (50)	1/0	
OUTPUT NEUTRAL WIRE		5.6 (50)	(2) 1/0	
GROUND WIRE		5.1 (45)	6 AWG	

CUSTOMER WIRING (4 BREAKER CONFIGURATION)				
WIRES	ACCEPTED WIRE RANGE	TORQUE RATING	RECOMMENDED MINIMUM WIRE SIZE FOR 90 DEG C COPPER STRANDED WIRE	
		Nm (L.B.#In)	4 BREAKER CONFIGURATION	
INPUT PHASE WIRES	RECTIFIER AC INPUT	5.6 (50)	1/0	
	BYPASS AC INPUT	5.6 (50)	1/0	
	UPS INVERTER OUTPUT	5.6 (50)	1/0	
INPUT NEUTRAL WIRE	RECTIFIER AC INPUT	5.6 (50)	(2) 1/0	
	BYPASS AC INPUT	5.6 (50)	(2) 1/0	
	UPS INVERTER OUTPUT	5.6 (50)	(2) 1/0	
UPS RECTIFIER INPUT PHASE WIRES		5.6 (50)	1/0	
UPS RECTIFIER INPUT NEUTRAL WIRE		5.6 (50)	(2) 1/0	
OUTPUT BYPASS PHASE WIRES		5.6 (50)	1/0	
OUTPUT BYPASS NEUTRAL WIRE		5.6 (50)	(2) 1/0	
OUTPUT PHASE WIRES		5.6 (50)	1/0	
OUTPUT NEUTRAL WIRE		5.6 (50)	(2) 1/0	
GROUND WIRE		5.1 (45)	6 AWG	

METRIC		EATON CORPORATION, ELECTRICAL		REV. D	
DESCRIPTION: SITE PLAN DRAWING, 93E 30 IAC-B					
DESIGNED BY: M. Carnes	DATE: 26-AUG-2013	WELDED	UNLESS OTHERWISE SPECIFIED TOLERANCES IN DIMENSIONS ARE:	SCALE: 2:1	DATE: 26-AUG-2013
ECO: ECD-053415	STATUS: Release	WELDED	0.10 - 0.25	1.00 - 1.50	1.50 - 3.00
PRO-ENGINEER GENERATED		WELDED	0.25 - 0.50	0.50 - 1.00	1.00 - 1.50
PART NAME: P-110000032		WELDED	0.50 - 1.00	1.00 - 1.50	1.50 - 3.00
REVISION: 005		WELDED	1.00 - 1.50	1.50 - 3.00	3.00 - 6.00
EATON CORPORATION - CONFIDENTIAL AND PROPRIETARY NOTICE TO PERSONS RECEIVING THIS DOCUMENT AND/OR TECHNICAL INFORMATION: THIS DOCUMENT, INCLUDING THE DRAWING AND INFORMATION CONTAINED THEREIN, IS CONFIDENTIAL AND IS THE EXCLUSIVE PROPERTY OF EATON CORPORATION, AND IS LOANED TO YOU AND SUBJECT TO RECALL BY EATON AT ANY TIME. BY YOUR POSSESSION OF THIS DOCUMENT, YOU ACCEPT AND AGREE THAT THIS DOCUMENT CANNOT BE USED IN ANY MANNER ADVERSE TO THE INTERESTS OF EATON, AND THAT THE PRESENCE OF THIS DOCUMENT MAY BE COPIED OR REPRODUCED WITHOUT THE PRIOR WRITTEN CONSENT OF EATON. IN THE CASE OF COMPLETING CONTRACTUAL PROVISIONS, THIS NOTICE SHALL GOVERN THE STATUS OF THIS DOCUMENT. ©2013 Eaton Corporation - All Rights Reserved.					