



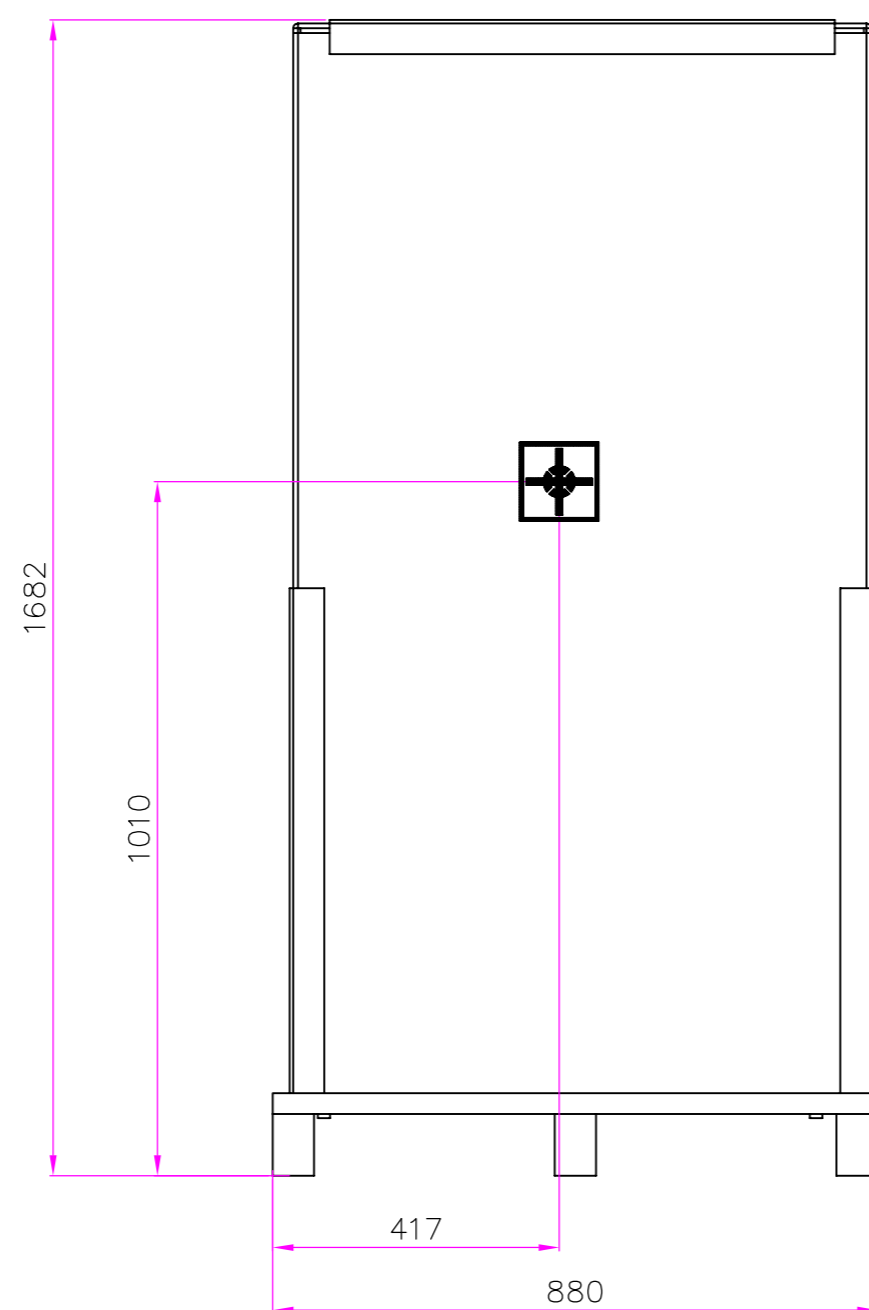
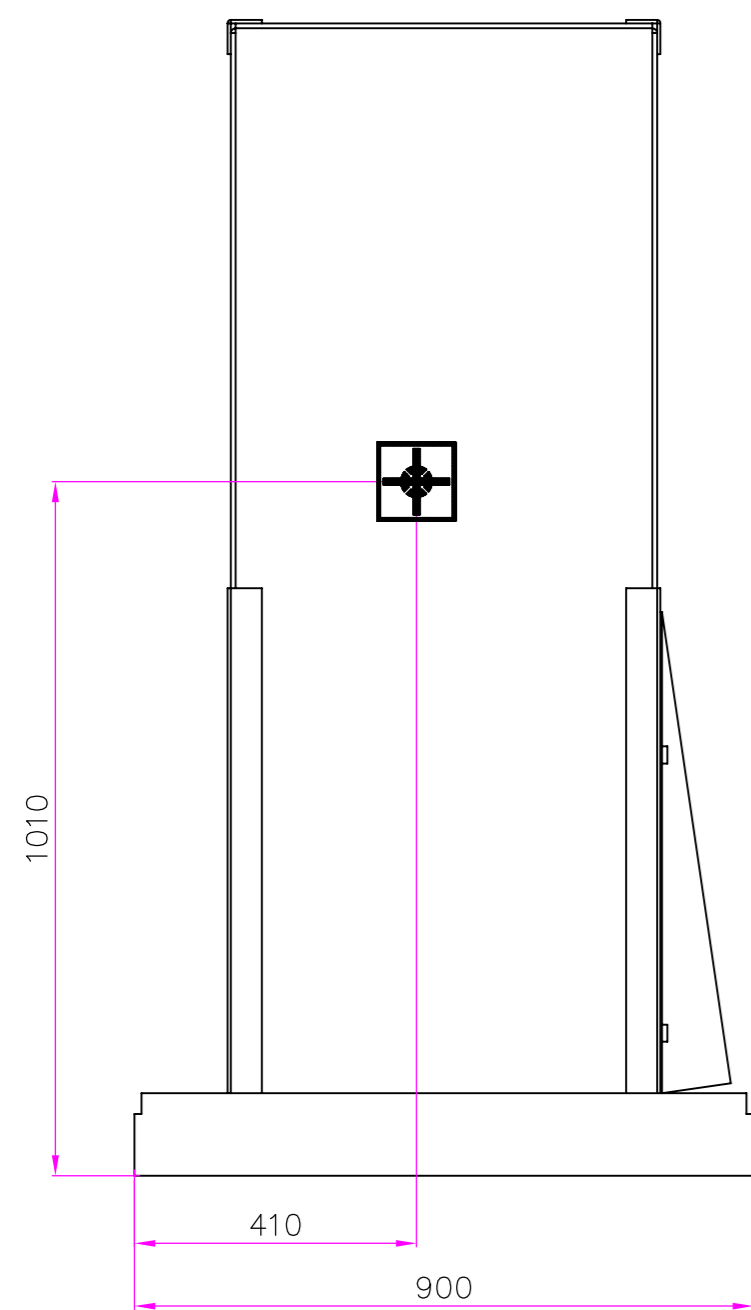
Powering Business Worldwide

SITE PLANNING DATA 93E 40KVA

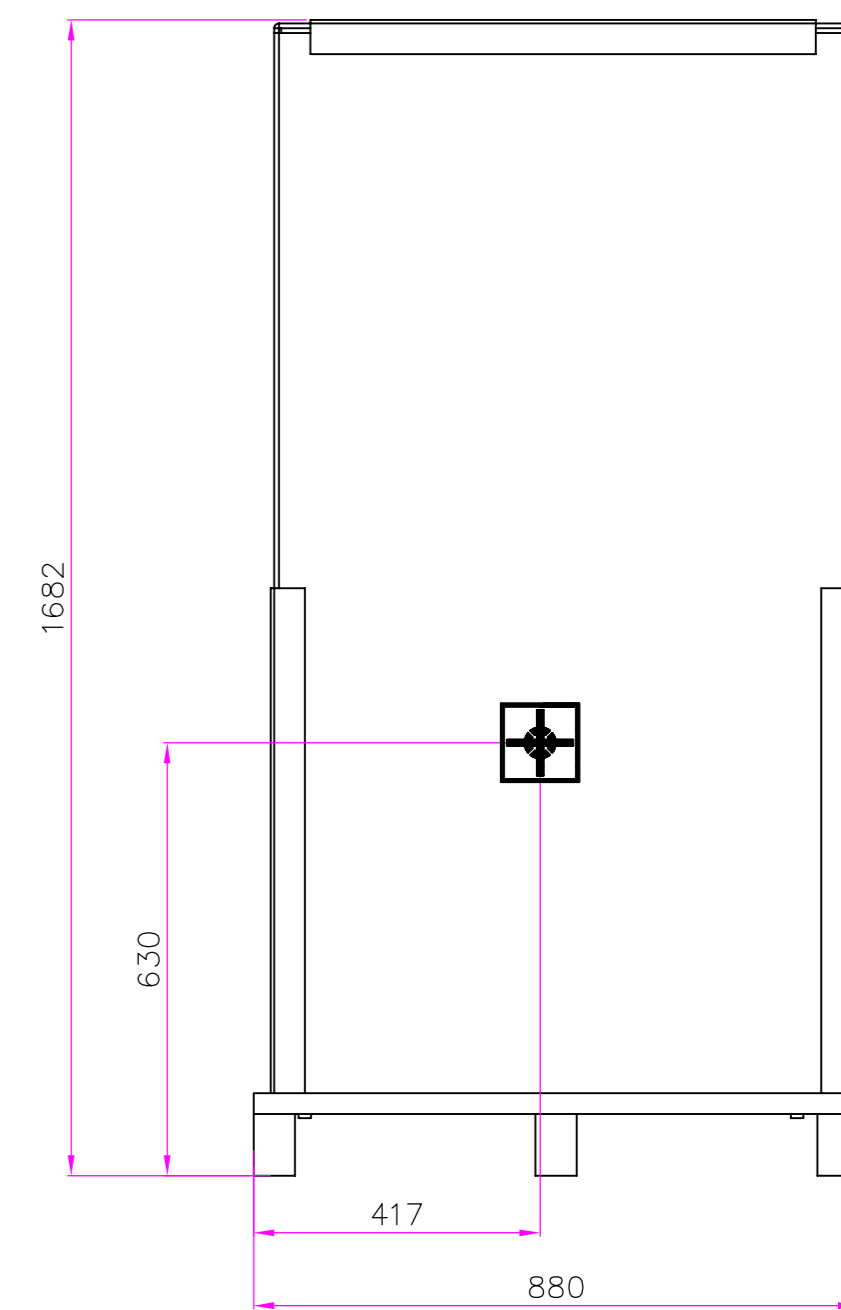
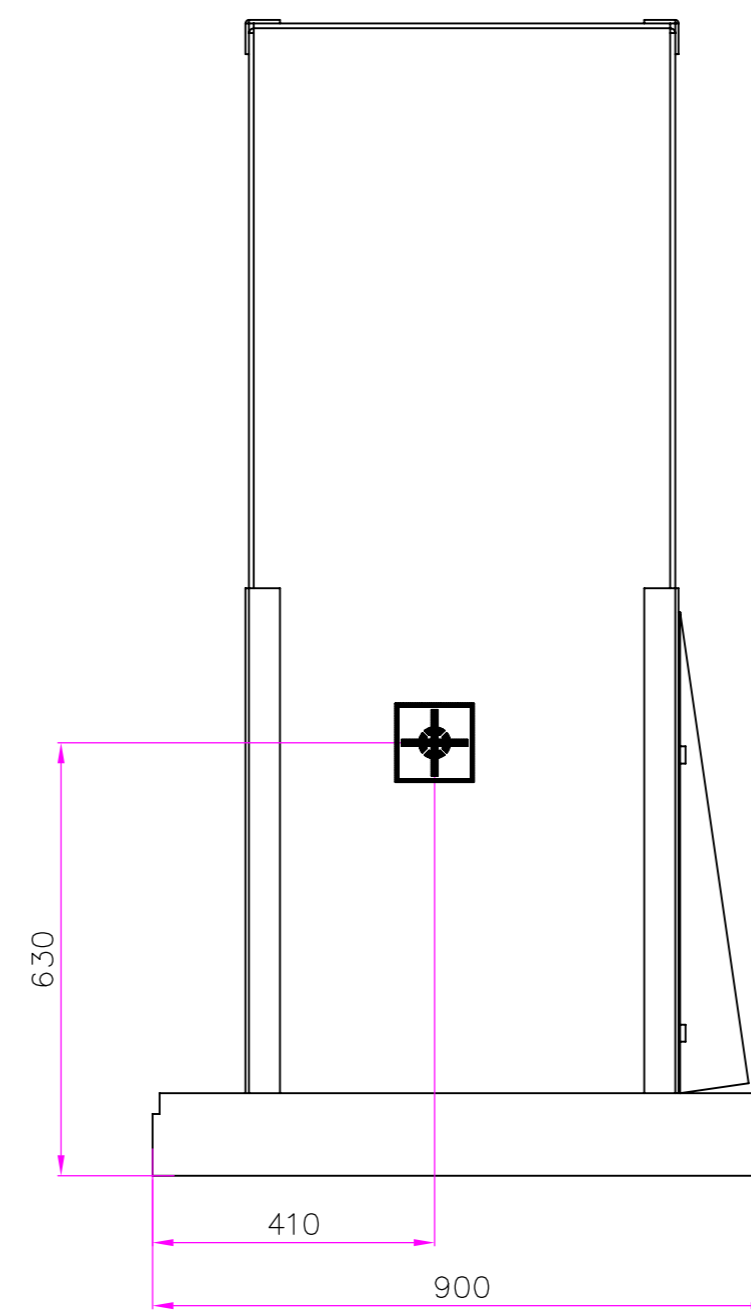
Page 1	Packaging Dimensions
Page 2	Dimensional Drawings
Page 3	COG and Clearance Dimensions
Page 4	Customer Connections
Page 5	Electrical Wiring of Single Unit
Page 6	Electrical & Signal Wiring of Parallel Units
Page 7	Product Specifications



METRIC		THIRD ANGLE PROJECTION		EATON CORPORATION			
DIMENSIONS ARE IN MILLIMETERS AFTER PLATING, DIMENSIONS AND TOLERANCES IN ACCORDANCE WITH ASME Y14.5M-1994. SEE NOTES FOR TOLERANCES.							
DESCRIPTION: 93E 40KVA							
ORIGINATED: Atif Rasheed	28-08-2015	ECO:	NAME:	REVISION: 001	SIZE: A2		
MODIFIED:				STATE: RELEASED	SCALE: 1:1		
CHECKED:		DOCUMENT TYPE: AUTOCAD DRAWING			SHEET: OF		
SAFETY:							
APPROVED:							
EATON CORPORATION - CONFIDENTIAL AND PROPRIETARY NOTICE TO PERSONS RECEIVING THIS DOCUMENT AND/OR TECHNICAL INFORMATION THIS DOCUMENT, INCLUDING THE DRAWING AND INFORMATION CONTAINED THEREON, IS CONFIDENTIAL AND IS THE EXCLUSIVE PROPERTY OF EATON CORPORATION, AND IS LOANED AND SUBJECT TO RECALL BY EATON AT ANY TIME. BY TAKING POSSESSION OF THIS DOCUMENT, THE RECIPIENT ACKNOWLEDGES AND AGREES THAT THIS DOCUMENT CANNOT BE USED IN ANY MANNER ADVERSE TO THE INTERESTS OF EATON AND THAT NO PORTION OF THIS DOCUMENT MAY BE COPIED OR OTHERWISE REPRODUCED WITHOUT THE PRIOR WRITTEN CONSENT OF EATON. IN THE CASE OF CONFLICTING CONTRACTS, PROVISIONS, THIS NOTICE SHALL GOVERN THE STATUS OF THIS DOCUMENT. © 2011 Eaton Corporation - All Rights Reserved.							



COG dimensions without internal batteries



COG dimensions with internal batteries

Notes:

1. The COG dimensions are approximated values with Pallet and packaging including Batteries and without Batteries.
2. The COG dimensions of UPS cabinet with package are X=410mm, Y=417mm, Z=630mm including Batteries and X=410mm, Y=417mm, Z=1010mm without Batteries.
3. Store the unit in dry and clean environment. Protect the unit from high humidity, rain or other direct exposure to water and also protect it from exposure to dirt and dust.
4. Optimal storing temperature for the unit without batteries is +15°C to +30°C and for batteries +20°C to +25°C.
5. Unites without batteries can be stored in -25°C to +55°C without risk of remediate damaging.
6. Storing batteries above +25°C will shorten the battery lifetime.
7. Batteries can be stored for six months without charging in temperature +20°C to +25°C, but batteries should not be stored uninstalled more than absolute necessary.
8. If batteries are stored above +25°C then batteries should be charged every four months.
9. Storing batteries longer than recommended without charging can harm the battery permanently.

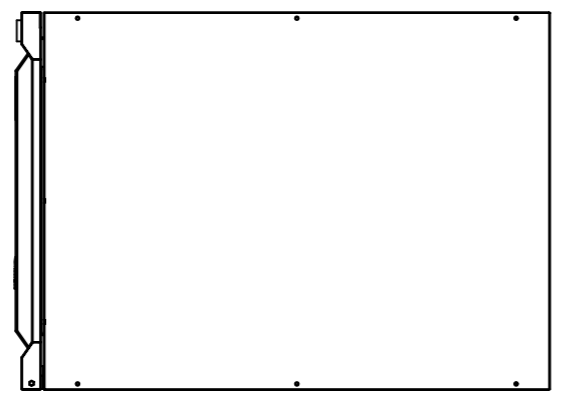
Product Specifications				
UPS Rating		Shipping Dimensions WXDXH	Approx. Weight Shipping with Batteries	Approx. Weight Shipping without Batteries
KVA	KW	MM	Kg	Kg
40	36	900*880*1680	533	215.5

METRIC		EATON CORPORATION			
DIMENSIONS ARE IN MILLIMETERS AFTER PLATING, DIMENSIONS AND TOLERANCES IN ACCORDANCE WITH ASME Y14.5M-1994. SEE NOTES FOR TOLERANCES.					
DESCRIPTION: 93E 40KVA Packaging Dimensions					
ORIGINATED: Atif Rosheed	28-08-2015	ECO:	NAME:	REVISION: 001	SIZE: A2
MODIFIED:				STATE: RELEASED	SCALE: 1:11
CHECKED:		DOCUMENT TYPE: AUTOCAD DRAWING			SHEET: 1 OF 7
SAFETY:					
APPROVED:					

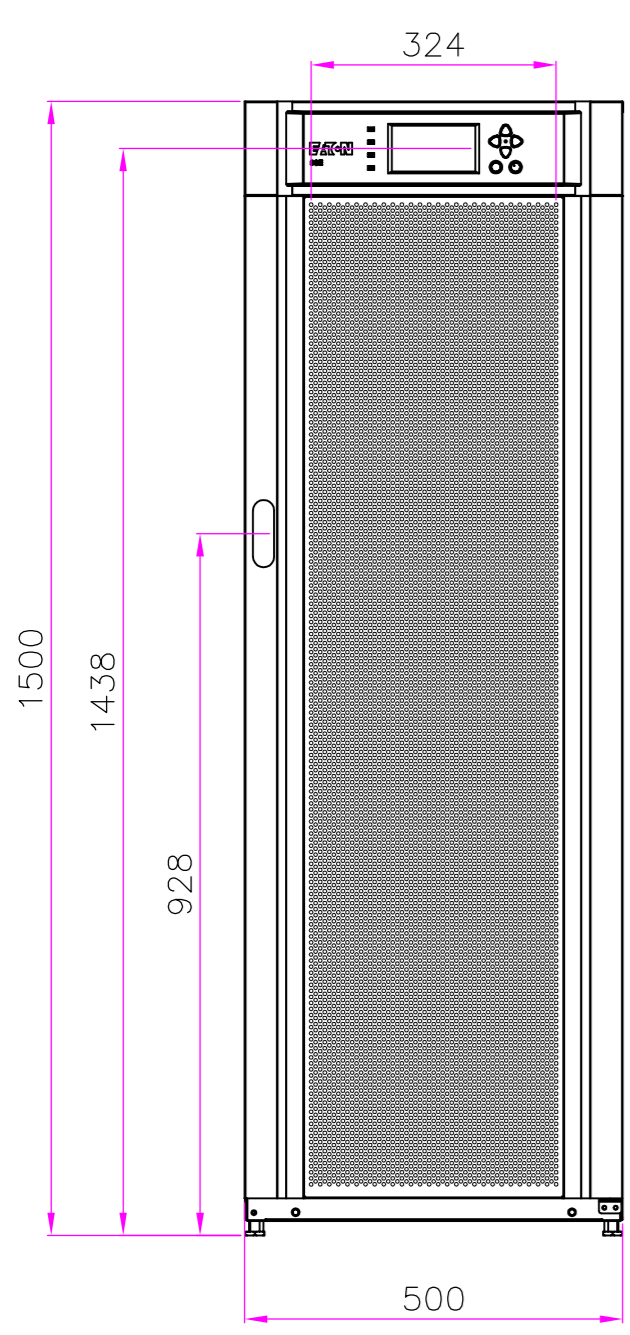
EATON CORPORATION - CONFIDENTIAL AND PROPRIETARY
 NOTICE TO PERSONS RECEIVING THIS DOCUMENT AND/OR TECHNICAL INFORMATION
 THIS DOCUMENT, INCLUDING THE DRAWING AND INFORMATION CONTAINED THEREIN, IS CONFIDENTIAL AND IS THE EXCLUSIVE PROPERTY OF EATON CORPORATION, AND IS HEREBY ON LOAN AND SUBJECT TO RECALL BY EATON AT ANY TIME.
 BY TAKING POSSESSION OF THIS DOCUMENT, THE RECIPIENT ACKNOWLEDGES AND AGREES THAT THIS DOCUMENT CANNOT BE USED IN ANY MANNER ADVERSE TO THE INTERESTS OF EATON AND THAT NO PORTION OF THIS DOCUMENT MAY BE COPIED OR OTHERWISE REPRODUCED WITHOUT THE PRIOR WRITTEN CONSENT OF EATON. IN THE CASE OF CONFLICTING CONTRACTUAL PROVISIONS, THIS NOTICE SHALL GOVERN THE STATUS OF THIS DOCUMENT.
 © 2011 Eaton Corporation - All Rights Reserved.

Product Specifications

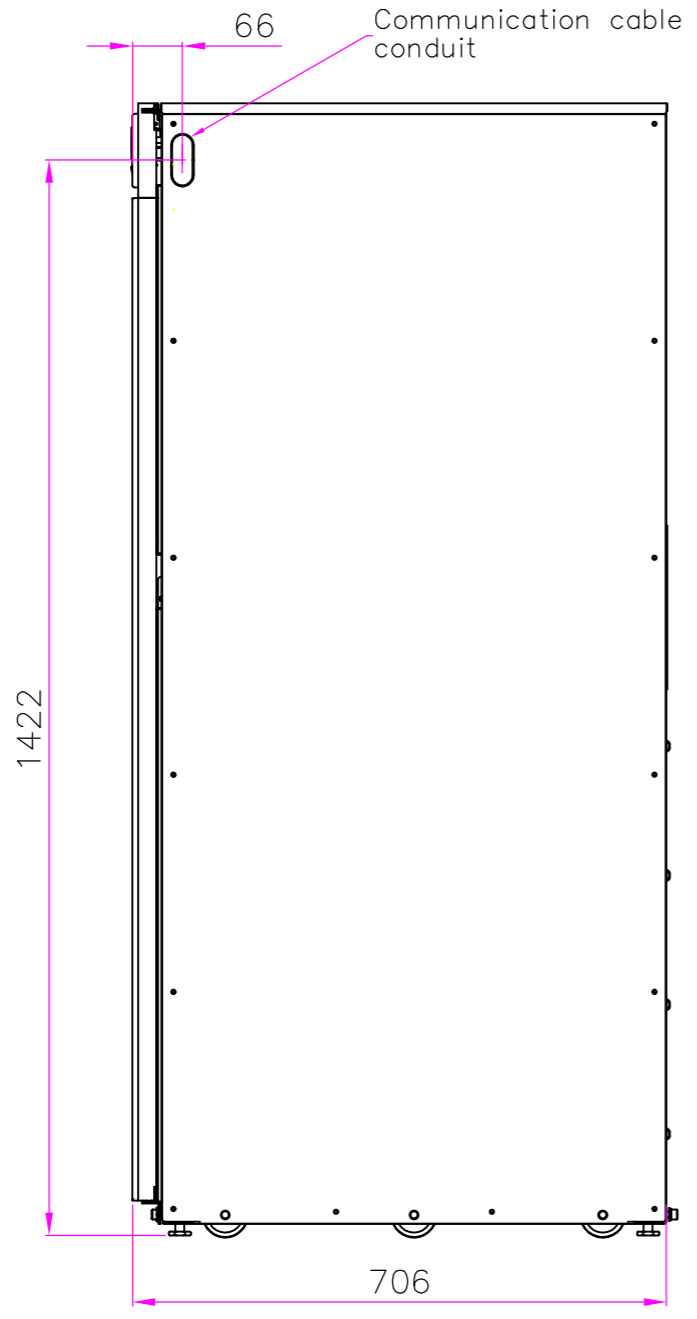
UPS Rating		Max Heat Dissipation at 100% Load	Cabinet Dimensions W X D X H	Shipping Dimensions W X D X H	Approx. Weight Cabinet without Batteries	Approx. Weight Cabinet with Batteries	Approx. Weight Shipping without Batteries	Approx. Weight Shipping with Batteries	Floor Loading without Batteries	Floor Loading with Batteries	Cooling Air
KVA	KW	KW	MM	MM	Kg	Kg	Kg	Kg	Points/Kg	Points/Kg	L/s
40	36	2.49	500X706X1500	900X880X1680	193.5	508	215.5	533	6/32	6/85	218



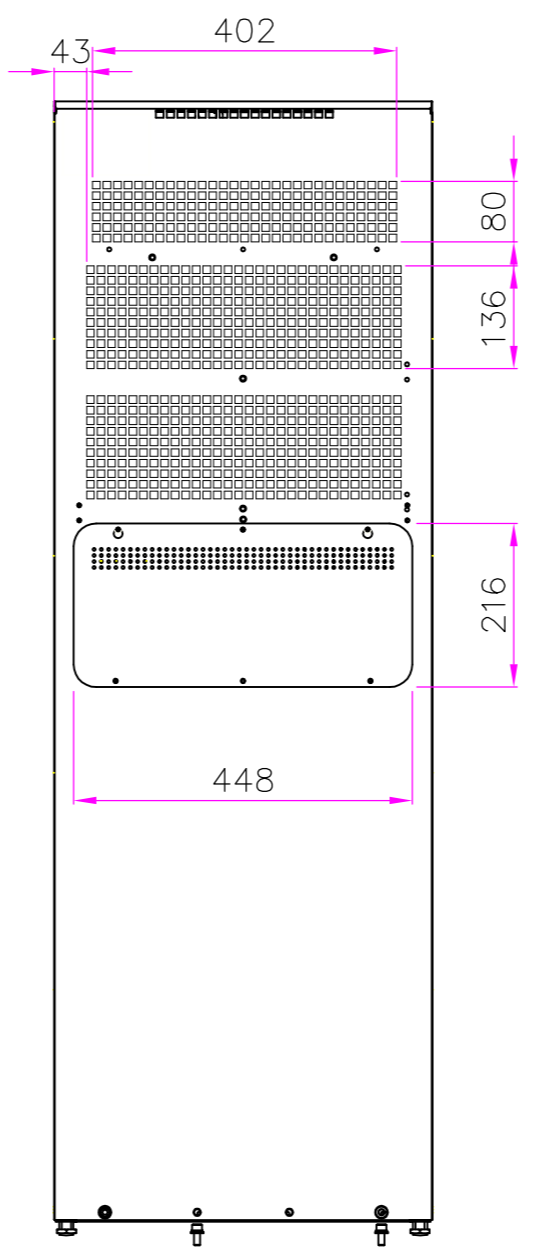
TOP VIEW



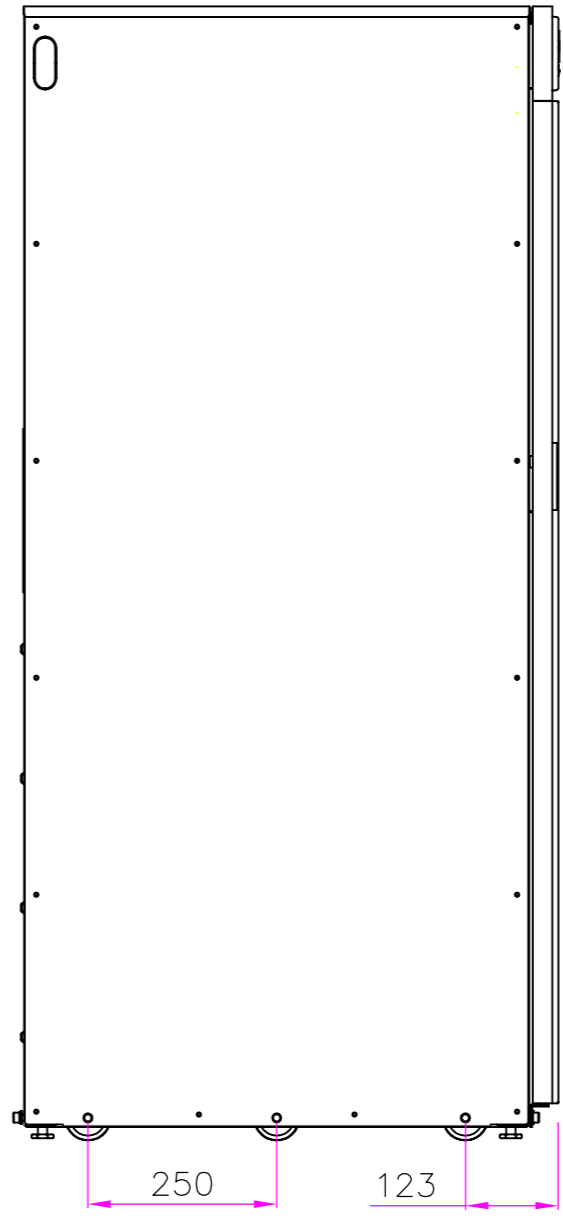
FRONT VIEW



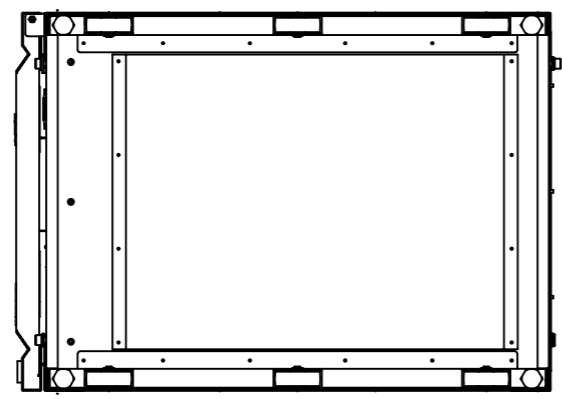
LEFT VIEW



REAR VIEW



RIGHT VIEW



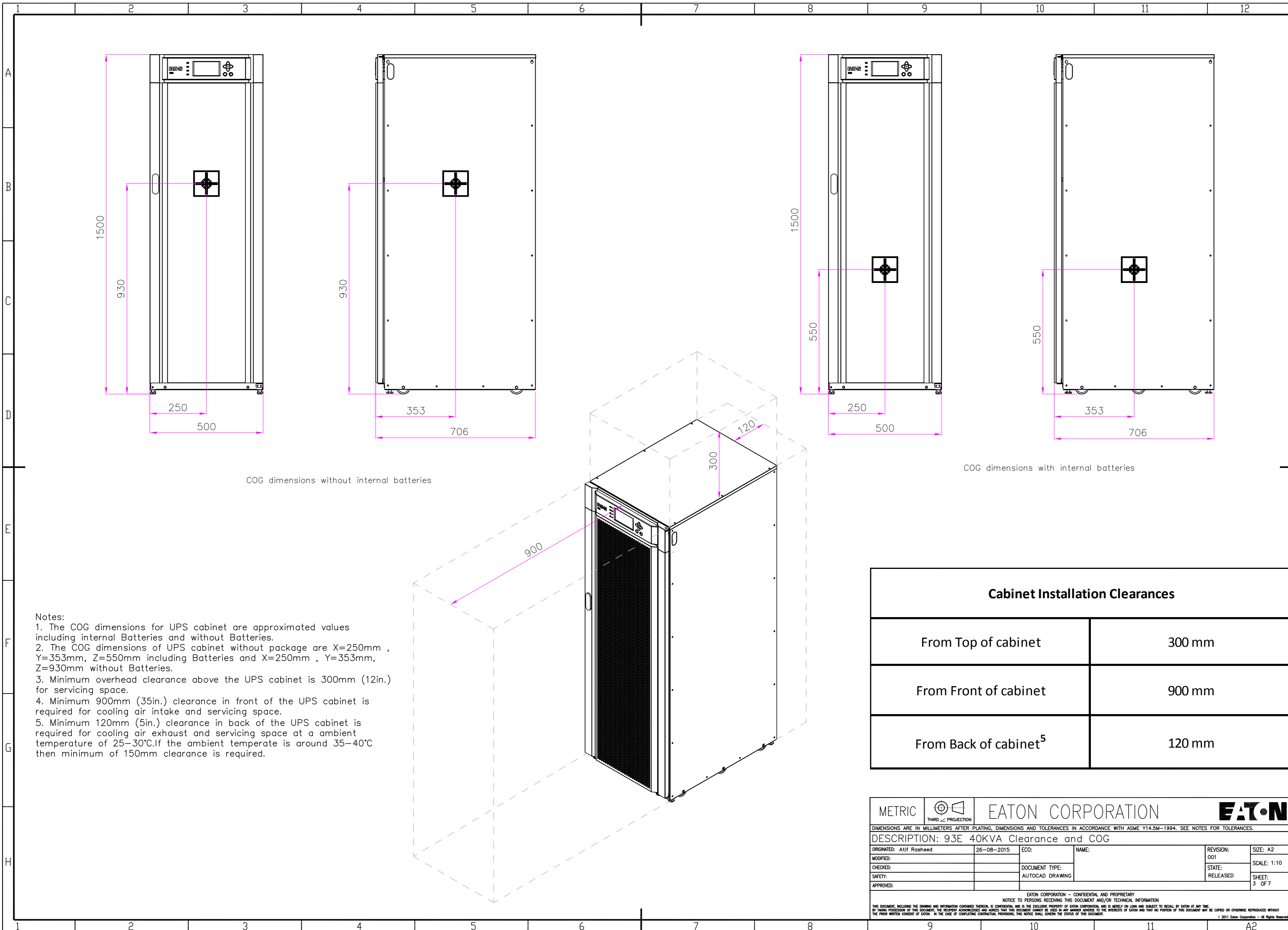
BOTTOM VIEW

Notes:

1. The system must be installed in a temperature and humidity controlled indoor area free of conductive contaminants.
2. Continuous ambient temperature range: 0–40°C (32–104F); Maximum relative humidity: 95% non–condensing.
3. The UPS can be installed in line–up–and–match or standalone configurations.
4. Cable access plates shall be custom–modified to suit conduit sizes.

METRIC		EATON CORPORATION			
DIMENSIONS ARE IN MILLIMETERS AFTER PLATING, DIMENSIONS AND TOLERANCES IN ACCORDANCE WITH ASME Y14.5M–1994. SEE NOTES FOR TOLERANCES.					
DESCRIPTION: 93E 40KVA Dimensional Drawing					
ORIGINATED: Atif Rosheed	26–08–2015	ECO:	NAME:	REVISION: 001	SIZE: A2
MODIFIED:		CHECKED:	DOCUMENT TYPE: AUTOCAD DRAWING	STATE: RELEASED	SCALE: 1:10
SAFETY:		APPROVED:			SHEET: 2 OF 7

NOTICE TO PERSONS RECEIVING THIS DOCUMENT AND/OR TECHNICAL INFORMATION: THIS DOCUMENT, INCLUDING THE DRAWING AND INFORMATION CONTAINED THEREIN, IS CONFIDENTIAL AND IS THE EXCLUSIVE PROPERTY OF EATON CORPORATION AND IS HEREBY ON LOAN AND SUBJECT TO RECALL BY EATON AT ANY TIME. BY TAKING POSSESSION OF THIS DOCUMENT, THE RECIPIENT ACKNOWLEDGES AND AGREES THAT THIS DOCUMENT CANNOT BE USED IN ANY MANNER ADVERSE TO THE INTERESTS OF EATON AND THAT NO PORTION OF THIS DOCUMENT MAY BE COPIED OR OTHERWISE REPRODUCED WITHOUT THE PRIOR WRITTEN CONSENT OF EATON. IN THE CASE OF CONFLICTING CONTRACTUAL PROVISIONS, THIS NOTICE SHALL GOVERN THE STATUS OF THIS DOCUMENT.



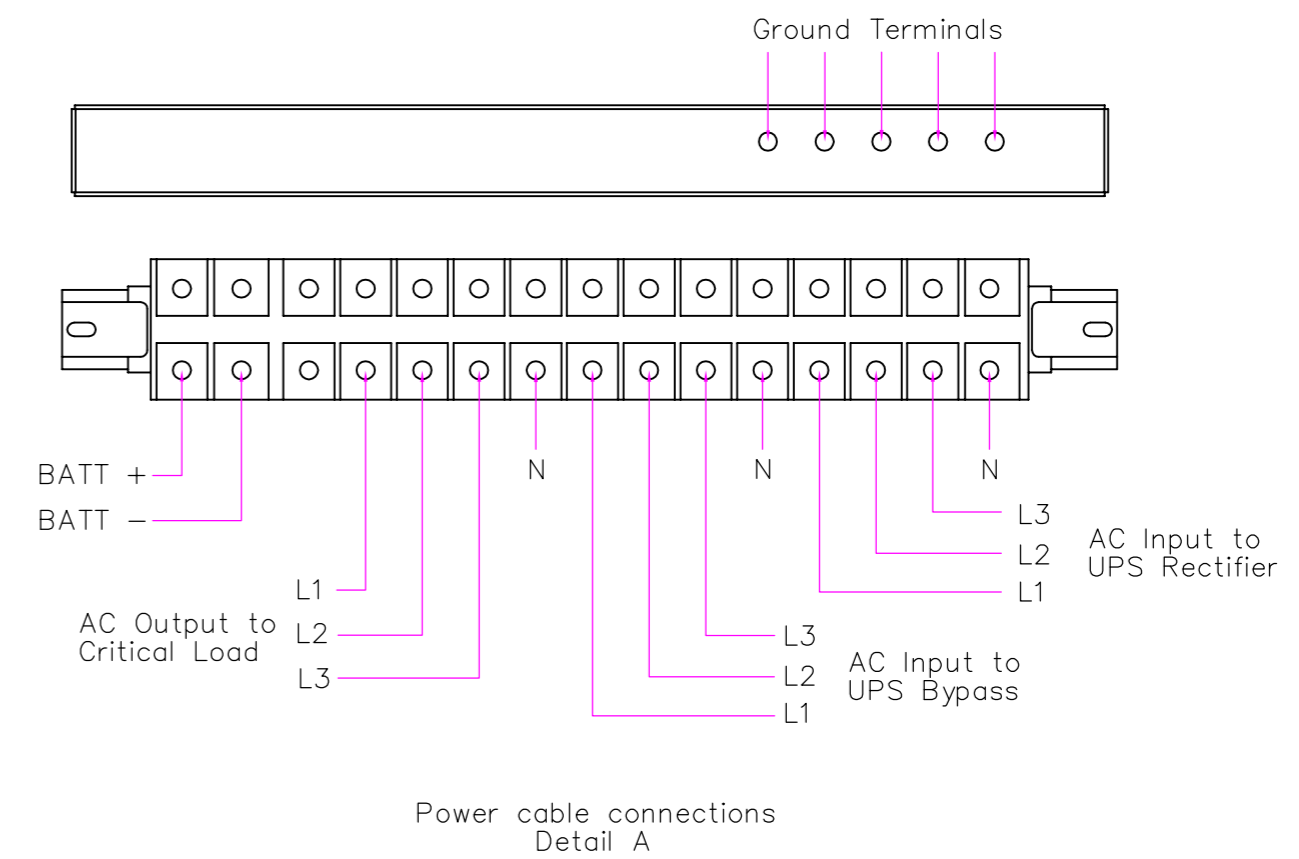
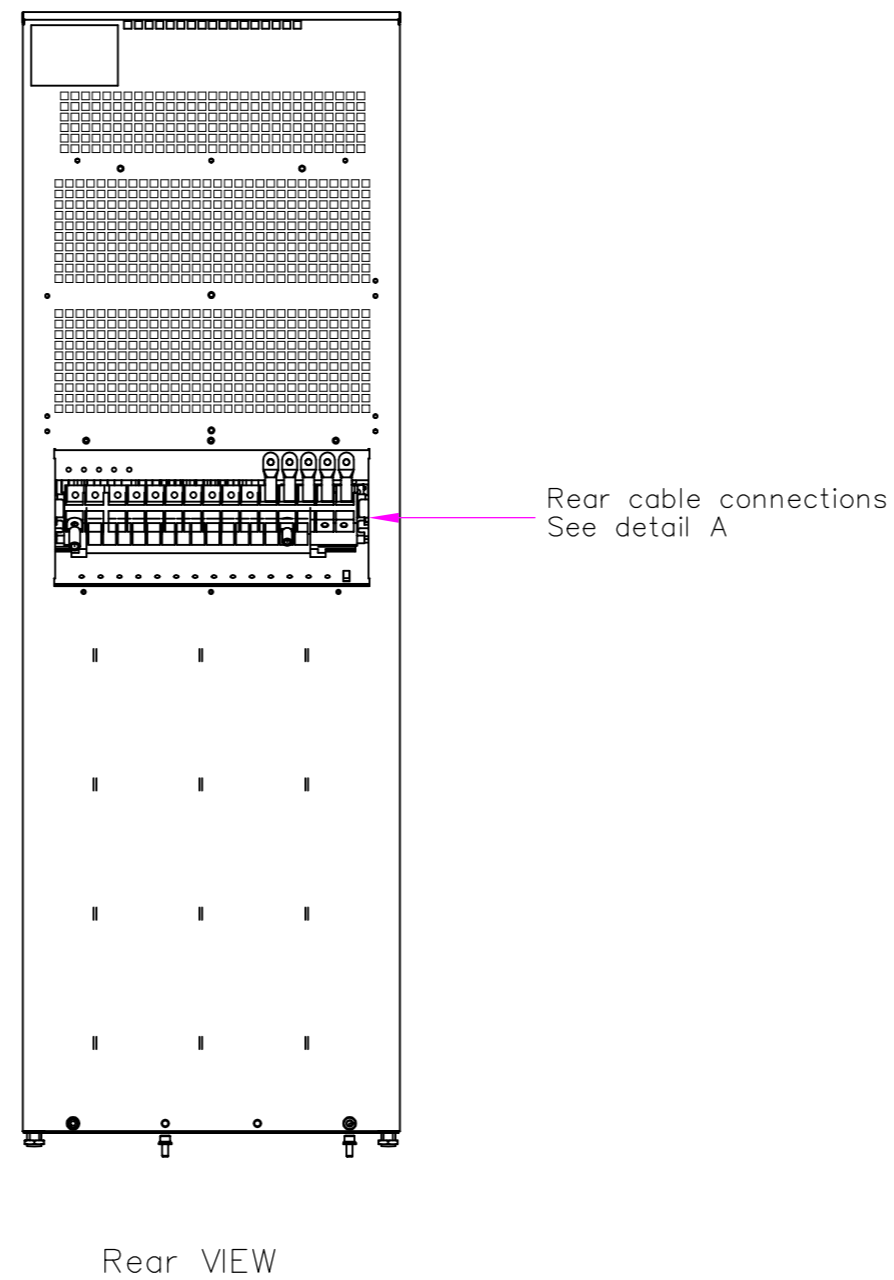
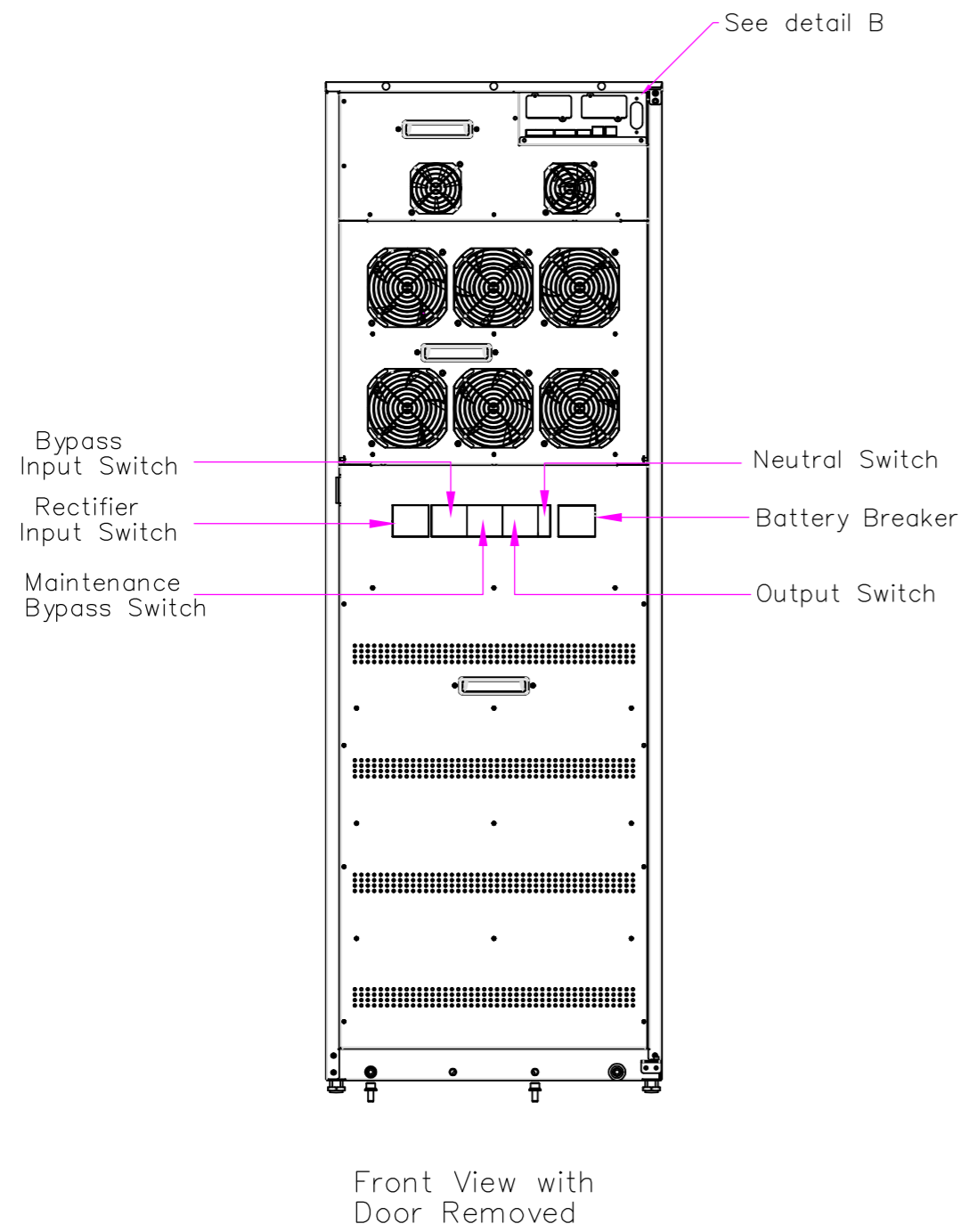
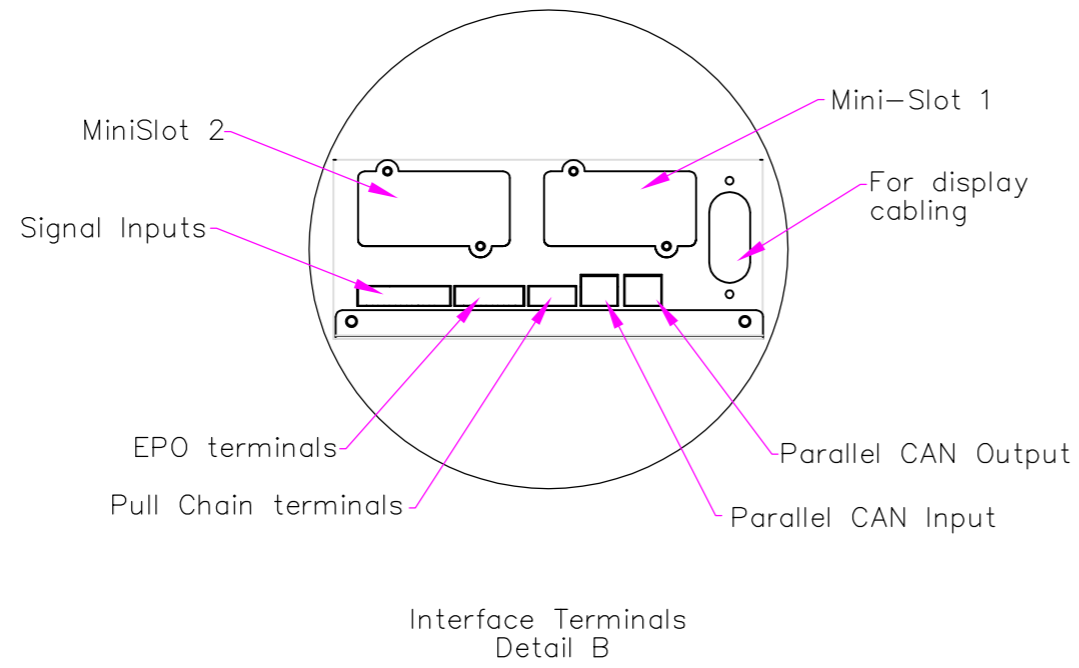
COG dimensions without internal batteries

COG dimensions with internal batteries

- Notes:
1. The COG dimensions for UPS cabinet are approximated values including internal Batteries and without Batteries.
 2. The COG dimensions of UPS cabinet without package are X=250mm , Y=353mm, Z=550mm including Batteries and X=250mm , Y=353mm, Z=930mm without Batteries.
 3. Minimum overhead clearance above the UPS cabinet is 300mm (12in.) for servicing space.
 4. Minimum 900mm (35in.) clearance in front of the UPS cabinet is required for cooling air intake and servicing space.
 5. Minimum 120mm (5in.) clearance in back of the UPS cabinet is required for cooling air exhaust and servicing space at a ambient temperature of 25–30°C. If the ambient temperature is around 35–40°C then minimum of 150mm clearance is required.

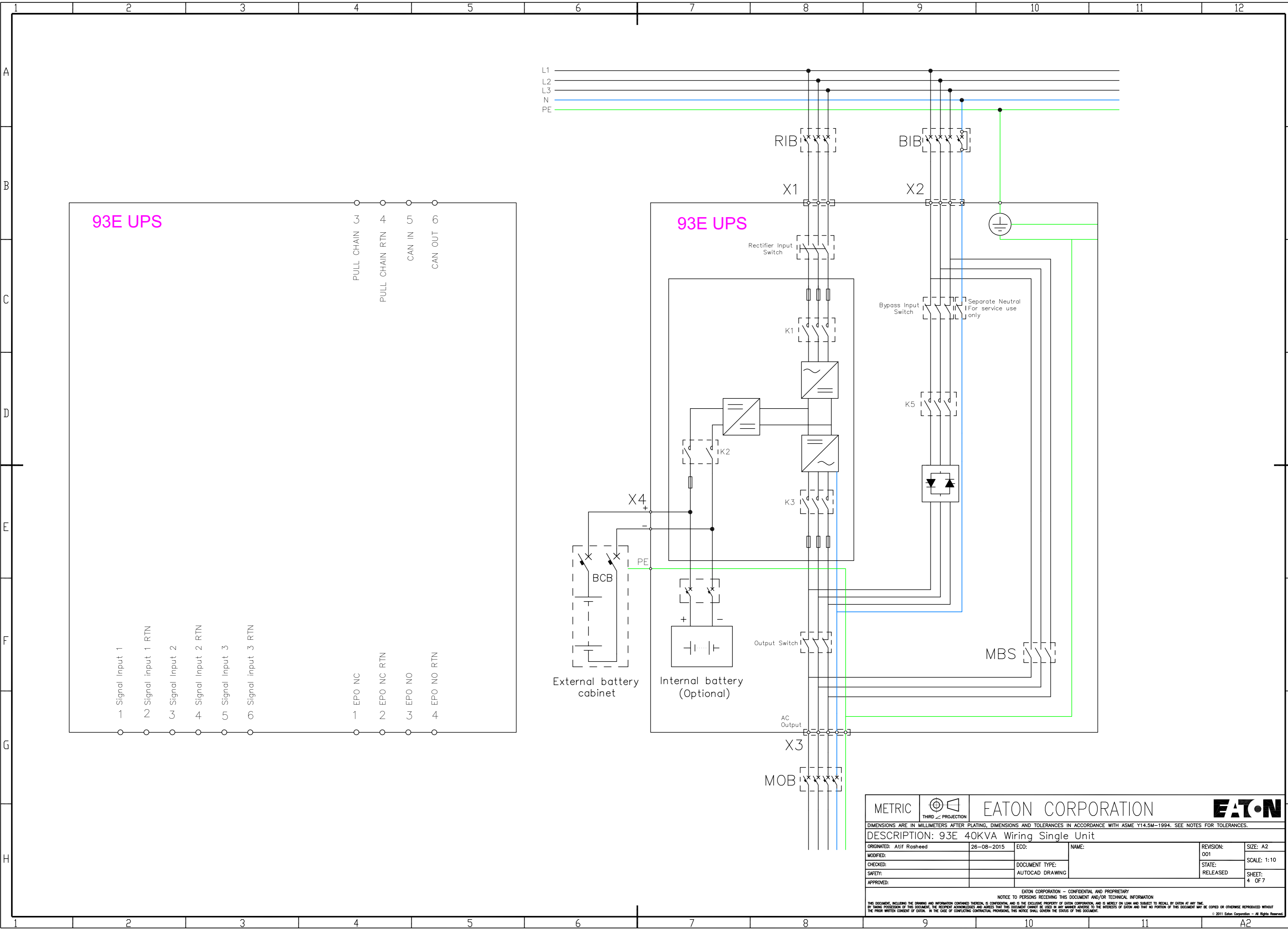
Cabinet Installation Clearances	
From Top of cabinet	300 mm
From Front of cabinet	900 mm
From Back of cabinet ⁵	120 mm

METRIC		EATON CORPORATION			
DIMENSIONS ARE IN MILLIMETERS AFTER PLATING, DIMENSIONS AND TOLERANCES IN ACCORDANCE WITH ASME Y14.5M-1994. SEE NOTES FOR TOLERANCES.					
DESCRIPTION: 93E 40KVA Clearance and COG					
ORIGINATED: Atif Rosheed	26-08-2015	ECO:	NAME:	REVISION: 001	SIZE: A2
MODIFIED:		CHECKED:	DOCUMENT TYPE: AUTOCAD DRAWING	STATE: RELEASED	SCALE: 1:10
SAFETY:		APPROVED:			SHEET: 3 OF 7
<small>EATON CORPORATION - CONFIDENTIAL AND PROPRIETARY NOTICE TO PERSONS RECEIVING THIS DOCUMENT AND/OR TECHNICAL INFORMATION THIS DOCUMENT, INCLUDING THE DRAWING AND INFORMATION CONTAINED THEREIN, IS CONFIDENTIAL AND IS THE EXCLUSIVE PROPERTY OF EATON CORPORATION, AND IS HEREBY ON LOAN AND SUBJECT TO RECALL BY EATON AT ANY TIME. BY TAKING POSSESSION OF THIS DOCUMENT, THE RECIPIENT ACKNOWLEDGES AND AGREES THAT THIS DOCUMENT CANNOT BE USED IN ANY MANNER ADVERSE TO THE INTERESTS OF EATON AND THAT NO PORTION OF THIS DOCUMENT MAY BE COPIED OR OTHERWISE REPRODUCED WITHOUT THE PRIOR WRITTEN CONSENT OF EATON. IN THE CASE OF CONFLICTING CONTRACTUAL PROVISIONS, THIS NOTICE SHALL GOVERN THE STATUS OF THIS DOCUMENT. © 2011 Eaton Corporation - All Rights Reserved.</small>					

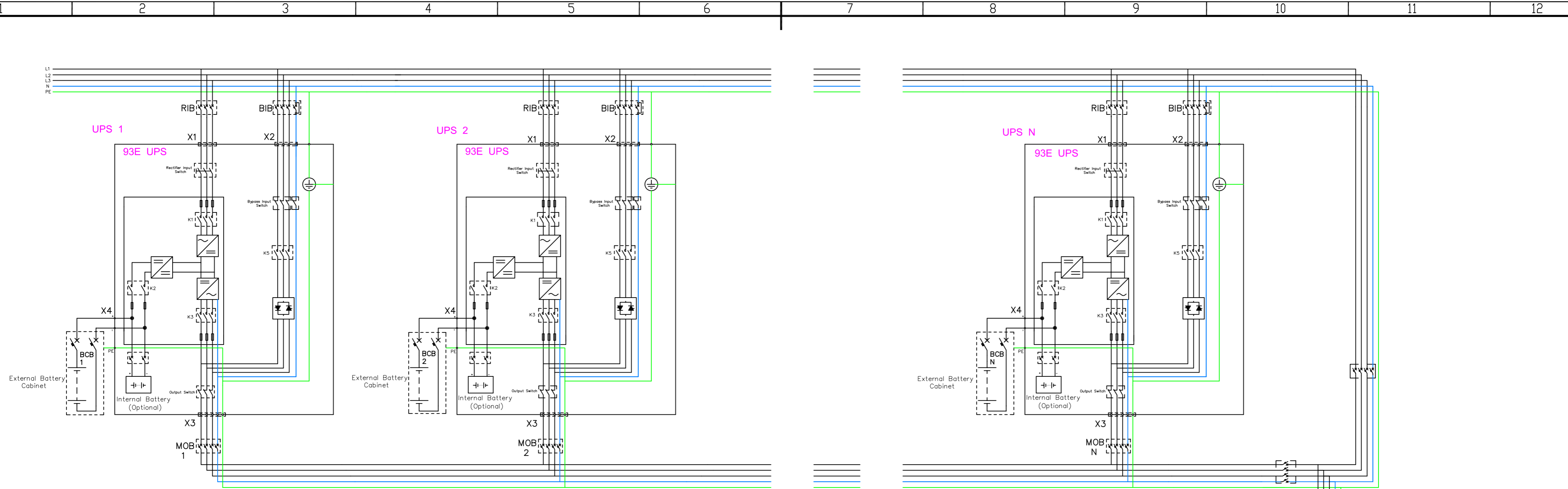


- Notes:
1. M8 size power cable terminals are used for UPS input and output (L1,L2,L3,N) connections. It requires approximately 12Nm of tightening torque.
 2. M8 size power cable terminals are used for PE connections and it requires approximately 24Nm of tightening torque.

METRIC		THIRD ANGLE PROJECTION		EATON CORPORATION			EAT•N	
DIMENSIONS ARE IN MILLIMETERS AFTER PLATING, DIMENSIONS AND TOLERANCES IN ACCORDANCE WITH ASME Y14.5M-1994. SEE NOTES FOR TOLERANCES.								
DESCRIPTION: 93E 40KVA Customer Connections								
ORIGINATED: Atif Rasheed	26-08-2015	ECO:	NAME:	REVISION: 001	SIZE: A2			
MODIFIED:				STATE: RELEASED	SCALE: 1:10			
CHECKED:		DOCUMENT TYPE:			SHEET: 4 OF 7			
SAFETY:		AUTOCAD DRAWING						
APPROVED:								
<p style="text-align: center;">EATON CORPORATION - CONFIDENTIAL AND PROPRIETARY</p> <p style="text-align: center;">NOTICE TO PERSONS RECEIVING THIS DOCUMENT AND/OR TECHNICAL INFORMATION</p> <p style="text-align: center;">THIS DOCUMENT, INCLUDING THE DRAWING AND INFORMATION CONTAINED THEREON, IS CONFIDENTIAL AND IS THE EXCLUSIVE PROPERTY OF EATON CORPORATION, AND IS MERELY ON LOAN AND SUBJECT TO RECALL BY EATON AT ANY TIME. BY TAKING POSSESSION OF THIS DOCUMENT, THE RECIPIENT ACKNOWLEDGES AND AGREES THAT THIS DOCUMENT CANNOT BE USED IN ANY MANNER ADVERSE TO THE INTERESTS OF EATON AND THAT NO PORTION OF THIS DOCUMENT MAY BE COPIED OR OTHERWISE REPRODUCED WITHOUT THE PRIOR WRITTEN CONSENT OF EATON. IN THE CASE OF CONFLICTING CONTRACTUAL PROVISIONS, THIS NOTICE SHALL GOVERN THE STATUS OF THIS DOCUMENT.</p> <p style="text-align: right;">© 2011 Eaton Corporation - All Rights Reserved.</p>								

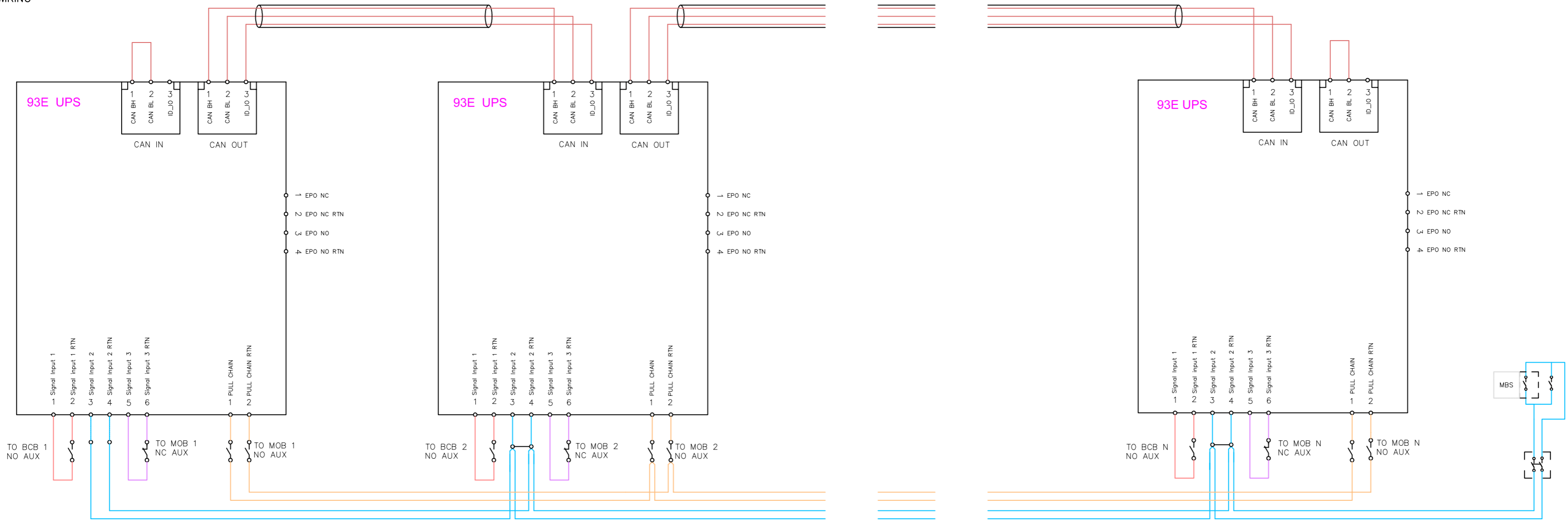


METRIC		THIRD ANGLE PROJECTION		EATON CORPORATION		EATON	
DIMENSIONS ARE IN MILLIMETERS AFTER PLATING, DIMENSIONS AND TOLERANCES IN ACCORDANCE WITH ASME Y14.5M-1994. SEE NOTES FOR TOLERANCES.							
DESCRIPTION: 93E 40KVA Wiring Single Unit							
ORIGINATED: Atif Rasheed	26-08-2015	ECO:	NAME:	REVISION: 001	SIZE: A2		
CHECKED:		DOCUMENT TYPE:		STATE: RELEASED	SCALE: 1:10		
SAFETY:		AUTOCAD DRAWING			SHEET: 4 OF 7		
APPROVED:							
NOTICE TO PERSONS RECEIVING THIS DOCUMENT AND/OR TECHNICAL INFORMATION THIS DOCUMENT, INCLUDING THE DRAWING AND INFORMATION CONTAINED THEREON, IS CONFIDENTIAL AND IS THE EXCLUSIVE PROPERTY OF EATON CORPORATION AND IS MERELY ON LOAN AND SUBJECT TO RECALL BY EATON AT ANY TIME. BY TAKING POSSESSION OF THIS DOCUMENT, THE RECIPIENT ACKNOWLEDGES AND AGREES THAT THIS DOCUMENT CANNOT BE USED IN ANY MANNER ADVERSE TO THE INTERESTS OF EATON AND THAT NO PORTION OF THIS DOCUMENT MAY BE COPIED OR OTHERWISE REPRODUCED WITHOUT THE PRIOR WRITTEN CONSENT OF EATON. IN THE CASE OF CONFLICTING CONTRACTUAL PROVISIONS, THIS NOTICE SHALL GOVERN THE STATUS OF THIS DOCUMENT. © 2011 Eaton Corporation - All Rights Reserved.							



POWER WIRING

SIGNAL WIRING



■ MBS STATUS (Provided by others, Installed by others)
0.75 - 2.5mm² twisted pair (if possible, else shielded)
No earth needed

■ PULL CHAIN (REDUNDANT ON BYP STATUS)
Provided by Eaton, Installed by Eaton

■ MOB STATUS (Provided by others, Installed by others)
0.75 - 2.5mm² twisted pair (if possible, else shielded)
No earth needed

■ PCAN (DUAL AS OPTION)
Provided by Eaton, Installed by Eaton

METRIC		THIRD ANGLE PROJECTION		EATON CORPORATION			
DIMENSIONS ARE IN MILLIMETERS AFTER PLATING, DIMENSIONS AND TOLERANCES IN ACCORDANCE WITH ASME Y14.5M-1994. SEE NOTES FOR TOLERANCES.							
DESCRIPTION: 93E 40KVA Wiring Parallel Units							
ORIGINATED: Atif Rasheed	26-08-2015	ECO:	NAME:	REVISION: 001	SIZE: A2		
MODIFIED:				STATE: RELEASED	SCALE: 1:1		
CHECKED:		DOCUMENT TYPE:	AUTOCAD DRAWING		SHEET: 6	OF 7	
SAFETY:							
APPROVED:							

EATON CORPORATION - CONFIDENTIAL AND PROPRIETARY
NOTICE TO PERSONS RECEIVING THIS DOCUMENT AND/OR TECHNICAL INFORMATION
THIS DOCUMENT, INCLUDING THE DRAWING AND INFORMATION CONTAINED THEREON, IS CONFIDENTIAL AND IS THE EXCLUSIVE PROPERTY OF EATON CORPORATION, AND IS MERELY ON LOAN AND SUBJECT TO RECALL BY EATON AT ANY TIME.
BY TAKING POSSESSION OF THIS DOCUMENT, THE RECIPIENT ACKNOWLEDGES AND AGREES THAT THIS DOCUMENT CANNOT BE USED IN ANY MANNER ADVERSE TO THE INTERESTS OF EATON AND THAT NO PORTION OF THIS DOCUMENT MAY BE COPIED OR OTHERWISE REPRODUCED WITHOUT THE PRIOR WRITTEN CONSENT OF EATON. IN THE CASE OF CONFLICTING CONTRACTUAL PROVISIONS, THIS NOTICE SHALL GOVERN THE TERMS OF THIS DOCUMENT.
© 2011 Eaton Corporation - All Rights Reserved

93E 40KVA UPS Site Planning Data

Product Specifications																		
UPS Rating		AC Input		3P Rectifier Input Breaker (RIB)		3P+Bolted N Bypass Input Breaker (BIB)		AC Output		4P Inverter AC output Breaker MOB			Battery Breaker (BCB) (Ratings at the end of discharge, 1.67VPC) (32 Blocks)			For Single Unit Maintenance Bypass Switch (MBS)	For Parallel Units Common Maintenance Bypass Switch (MBS)	
				Nominal Current	Maximum Current	Nominal Current at 400v Input	Maximum Current at 15% under voltage			Output Current	Inverter Short Circuit Current	Auxiliary Switches	Rating	Battery end of discharge Current	Auxiliary Switches	Rating	Rating	Auxiliary Switches
KVA	KW	v	A	A	A	A	v	A	A / 0...100ms	A / 100...160ms	Qty	VDC	A	Qty	A	A	Qty	
40	36	400	61	68	58	66	400	58	130	67	1	500	122	1	58	58 x N	1	

Minimum recommended cable and fuse sizes											Recharge current	
UPS RATING KVA	Rectifier Input Cable [mm ²] (3P)	Rectifier Fuse [A]	Bypass Input Cable [mm ²] (3P+N)	Bypass Fuse [A]	UPS Output Cable [mm ²] (3P+N)	Output Fuse [A]	POS. & NEG. Line [mm ²]	Battery Fuse [A]	PE Cable [mm ²]	Default Recharge Current [A]	Maximum Recharge Current [A]	
40	1 x 25	80	1 x 16	63	1 x 16	63	1 x 35	125	1 x 16	10,6	10,6	

Notes:

1. Rectifier AC input current calculations: Nominal – 100% load without charging; Maximum – 100% load with maximum charging (Rectifier current limit).
2. Inverter AC output current calculation: At 100% rated output load.
3. The system must be installed on a level floor suitable for computer or electronic equipment.
4. All wiring and installations must be in accordance with applicable National and Local Electric Regulations.
5. AC input to UPS: (3) phases, (1) neutral, (1) ground.
AC output to load: (3) phases, (1) neutral, (1) ground.
DC input from battery to UPS: (1) positive, (1) negative, (1) ground.
6. All breakers should be adjusted according to the specified Ampere values to protect the UPS and installation.
7. For UPS installation that utilizes single feed input, The input breaker should be configured according to the rated rectifier input current.
8. Cable sizing is based on the standard IEC 60364–5–52 and IEC 60364–5–54. The sizing is for 70°C rated copper cables.
8. Specifications are subject to change.

METRIC	THIRD ANGLE PROJECTION	EATON CORPORATION		
DIMENSIONS ARE IN MILLIMETERS AFTER PLATING, DIMENSIONS AND TOLERANCES IN ACCORDANCE WITH ASME Y14.5M-1994. SEE NOTES FOR TOLERANCES.				
DESCRIPTION: 93E 40KVA Specifications				
ORIGINATED: Atif Rasheed	26-08-2015	ECO:	NAME:	REVISION: 001
MODIFIED:		DOCUMENT TYPE:		SCALE: 1:1
CHECKED:		AUTOCAD DRAWING		STATE: RELEASED
SAFETY:				SHEET: 7 OF 7
APPROVED:				
EATON CORPORATION – CONFIDENTIAL AND PROPRIETARY NOTICE TO PERSONS RECEIVING THIS DOCUMENT AND/OR TECHNICAL INFORMATION THIS DOCUMENT, INCLUDING THE DRAWING AND INFORMATION CONTAINED THEREON, IS CONFIDENTIAL AND IS THE EXCLUSIVE PROPERTY OF EATON CORPORATION, AND IS MERELY ON LOAN AND SUBJECT TO RECALL BY EATON AT ANY TIME. BY TAKING POSSESSION OF THIS DOCUMENT, THE RECIPIENT ACKNOWLEDGES AND AGREES THAT THIS DOCUMENT CANNOT BE USED IN ANY MANNER ADVERSE TO THE INTERESTS OF EATON AND THAT NO PORTION OF THIS DOCUMENT MAY BE COPIED OR OTHERWISE REPRODUCED WITHOUT THE PRIOR WRITTEN CONSENT OF EATON. IN THE CASE OF CONFLICTING CONTRACTUAL PROVISIONS, THIS NOTICE SHALL GOVERN THE SOURCE OF THIS DOCUMENT. © 2011 Eaton Corporation – All Rights Reserved				