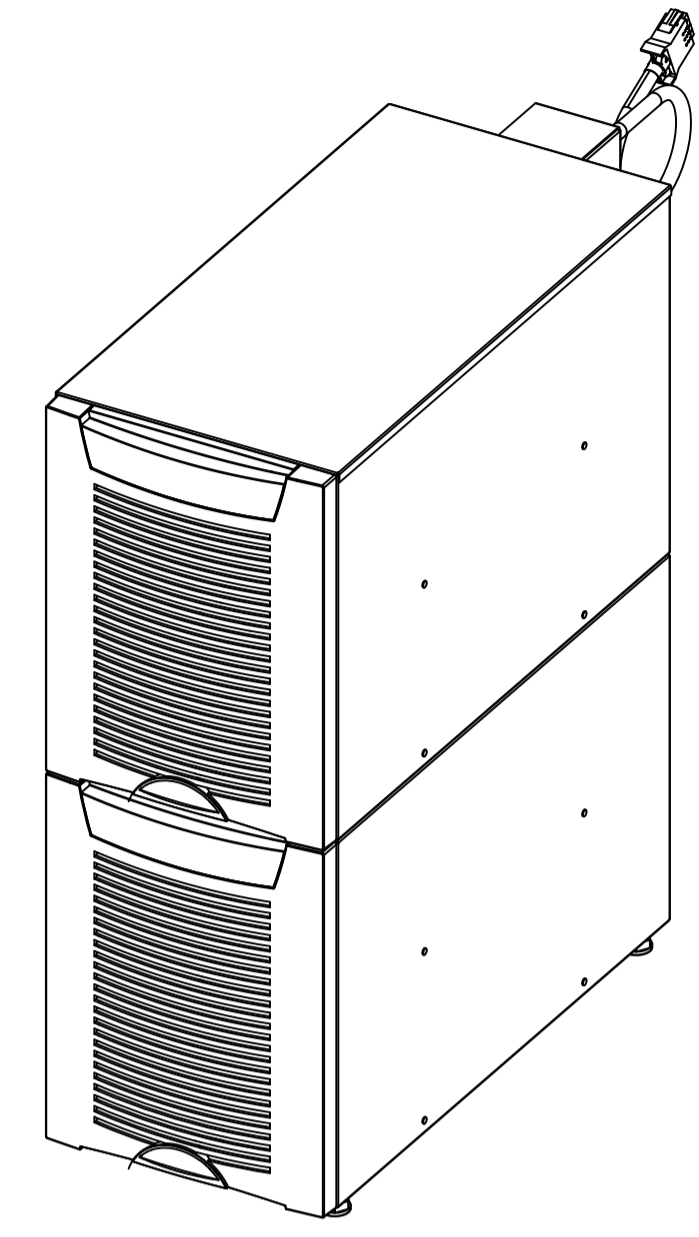
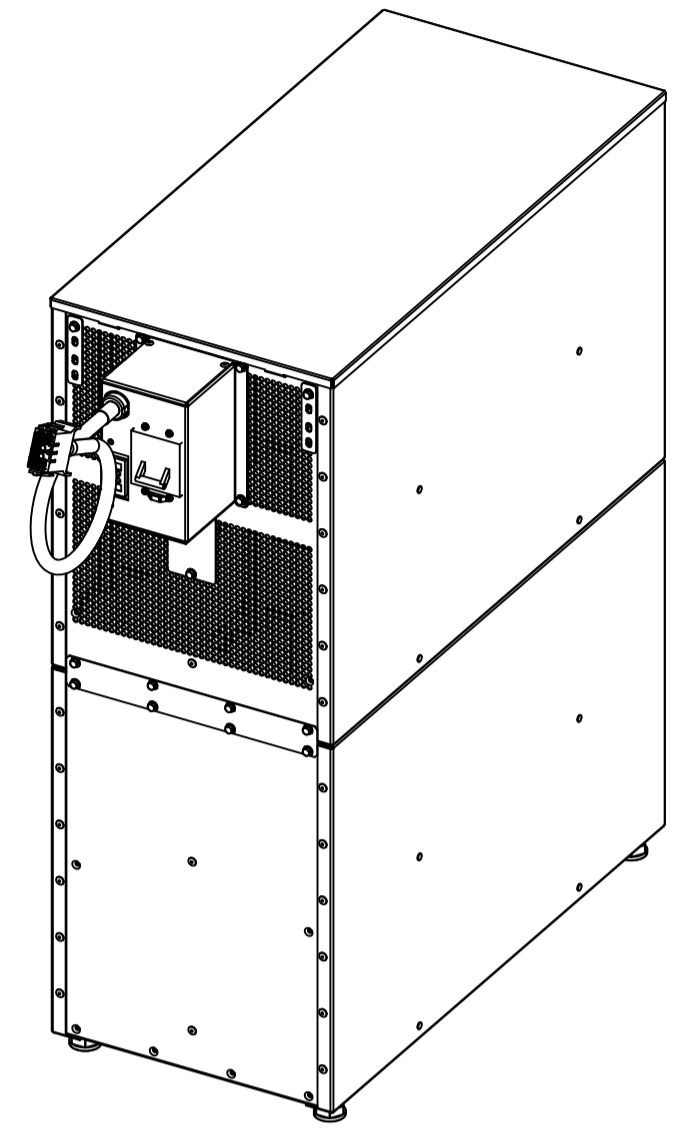


WEIGHT AND CENTER OF GRAVITY				
	A	B	C	WEIGHT
	MM [INCH]	MM [INCH]	MM [INCH]	KG [LBS]
9X55 8-15kVA BATTERY CABINET, 2 HIGH	81 [3.2]	452 [17.8]	406 [16]	218 [480]

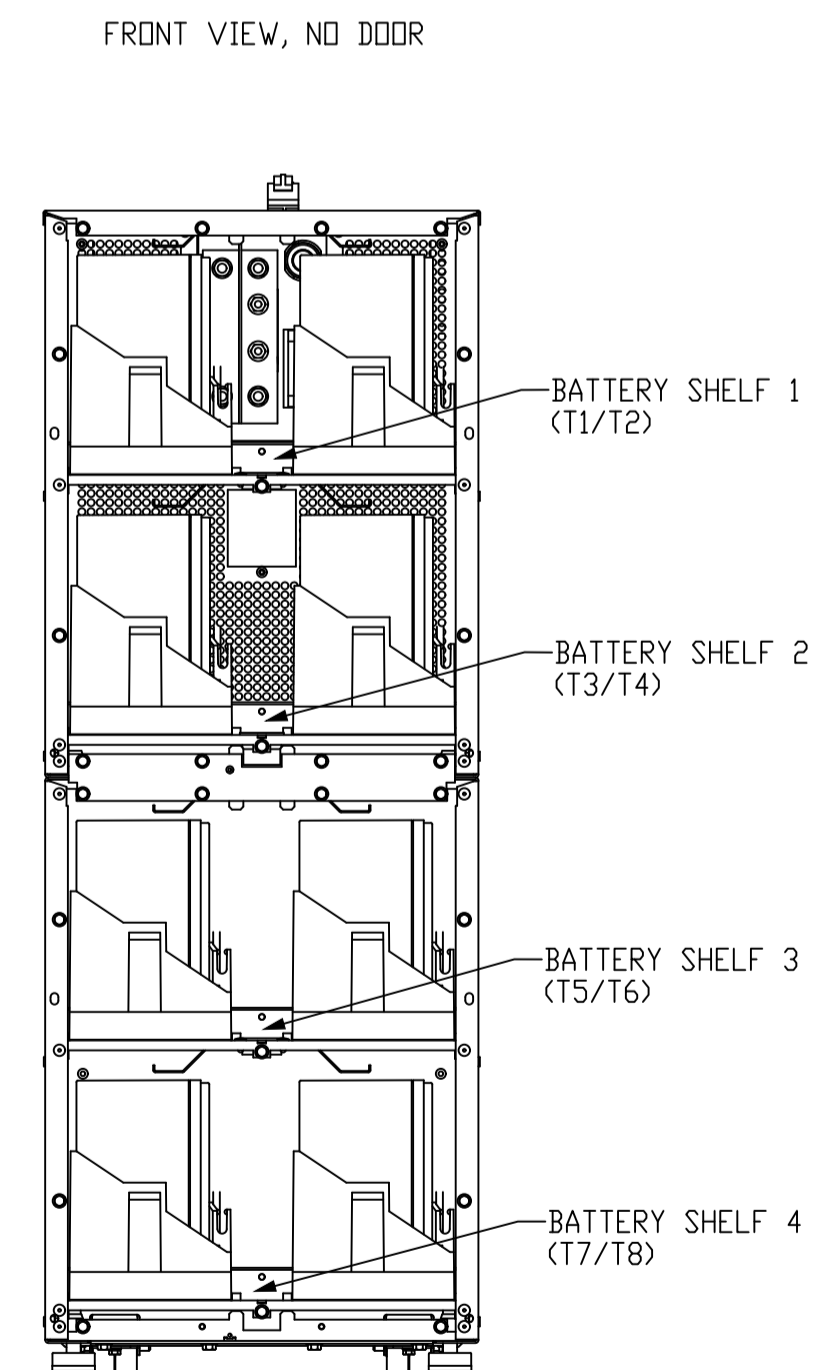
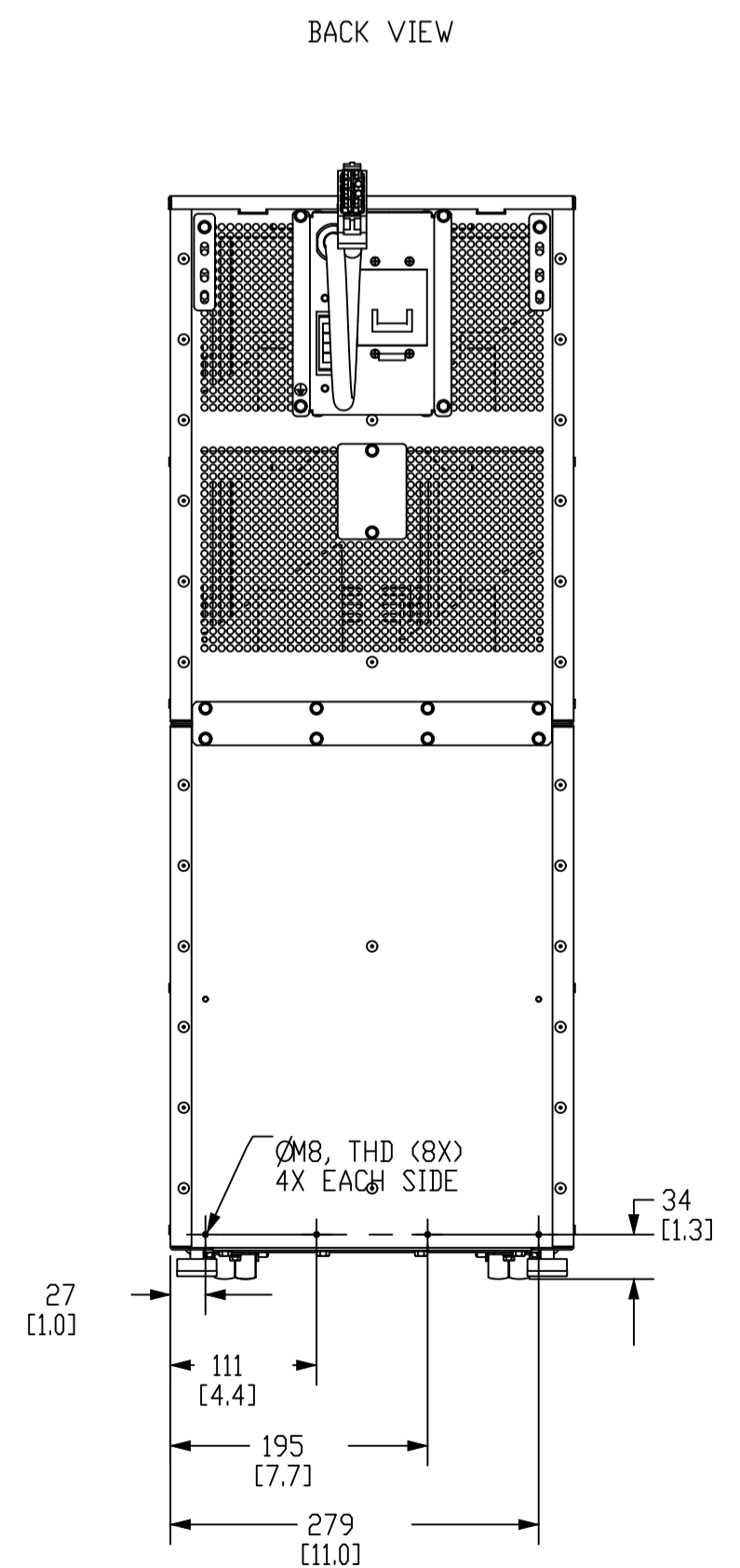
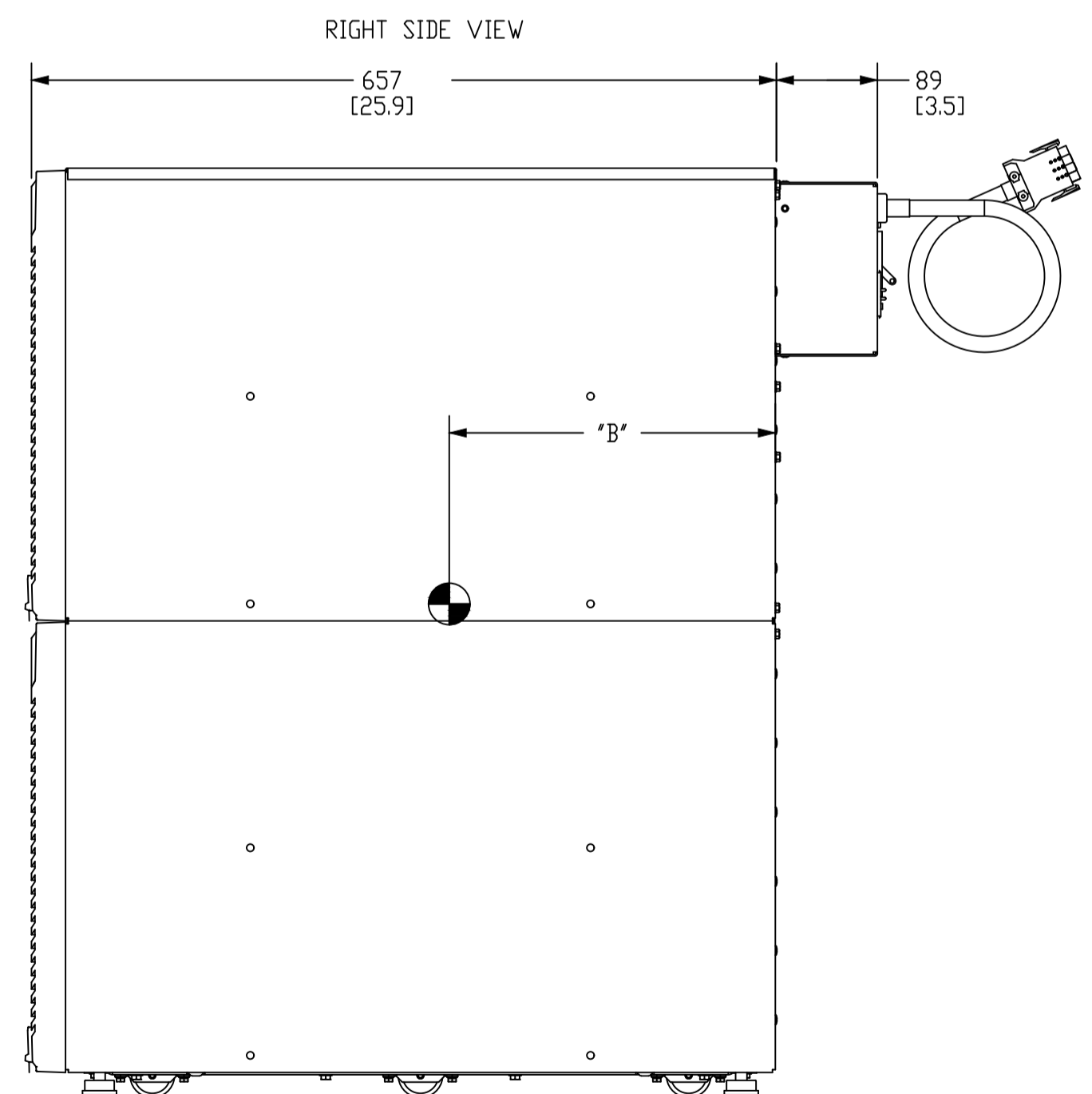
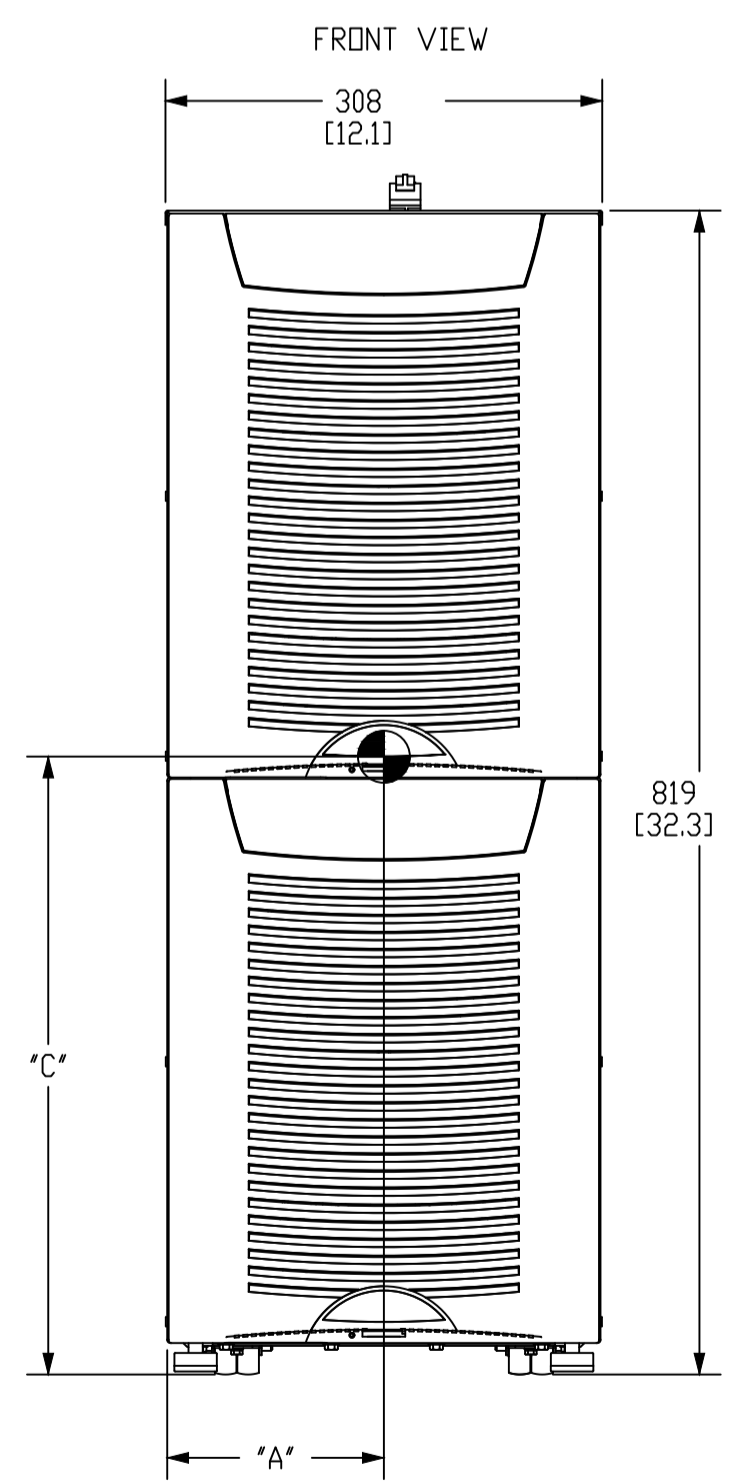
- NOTES
1. THE SYSTEM MUST BE INSTALLED ON A LEVEL FLOOR SURFACE SUITABLE FOR COMPUTER OR ELECTRONIC EQUIPMENT.
  2. THE SYSTEM MUST BE INSTALLED IN A TEMPERATURE AND HUMIDITY CONTROLLED INDOOR AREA FREE OF CONDUCTIVE CONTAMINANTS.
  3. AMBIENT TEMPERATURE RANGE 5-40degC (41-104degF) AT AN ELEVATION UP TO 3000M WITHOUT DERATING.  
STORAGE TEMPERATURE -25 TO +55degC  
RECOMMENDED OPERATING TEMPERATURE 20-30 degC  
RELATIVE HUMIDITY (OPERATING AND STORAGE) 5% TO 95% MAX. NON-CONDENSING.
  4. WEIGHT: SEE TABLE, SOME OPTIONS WILL WEIGH LESS. WEIGHTS DO NOT INCLUDE CUSTOMER WIRING.
  5. MINIMUM 914mm [36"] FRONT ACCESS NEEDED FOR SERVICING.
  6. REAR VENTILATION IS BY MEANS OF NATURAL CONVECTION.  
MINIMUM 152mm [6"] CLEARANCE IN REAR IS NEEDED FOR REAR VENTILATION.
  7. THE UPS BATTERY CABINET CAN BE INSTALLED IN LINE-UP-AND-MATCH CONFIGURATIONS.
  8. ALL WIRING IS TO BE IN ACCORDANCE WITH NATIONAL AND LOCAL ELECTRIC CODES.
  9. POWER HOOKUP TO UPS: POSITIVE, NEGATIVE, GROUND.  
FOR LINE-UP-AND-MATCH USE FACTORY SUPPLIED POWER WIRE FOR POSITIVE AND NEGATIVE.
  10. SPECIFICATIONS ARE SUBJECT TO CHANGE.
  11. ALL DIMENSIONS ARE IN MILLIMETERS [INCHES].



FRONT-SIDE ISOMETRIC VIEW  
SCALE 3:20



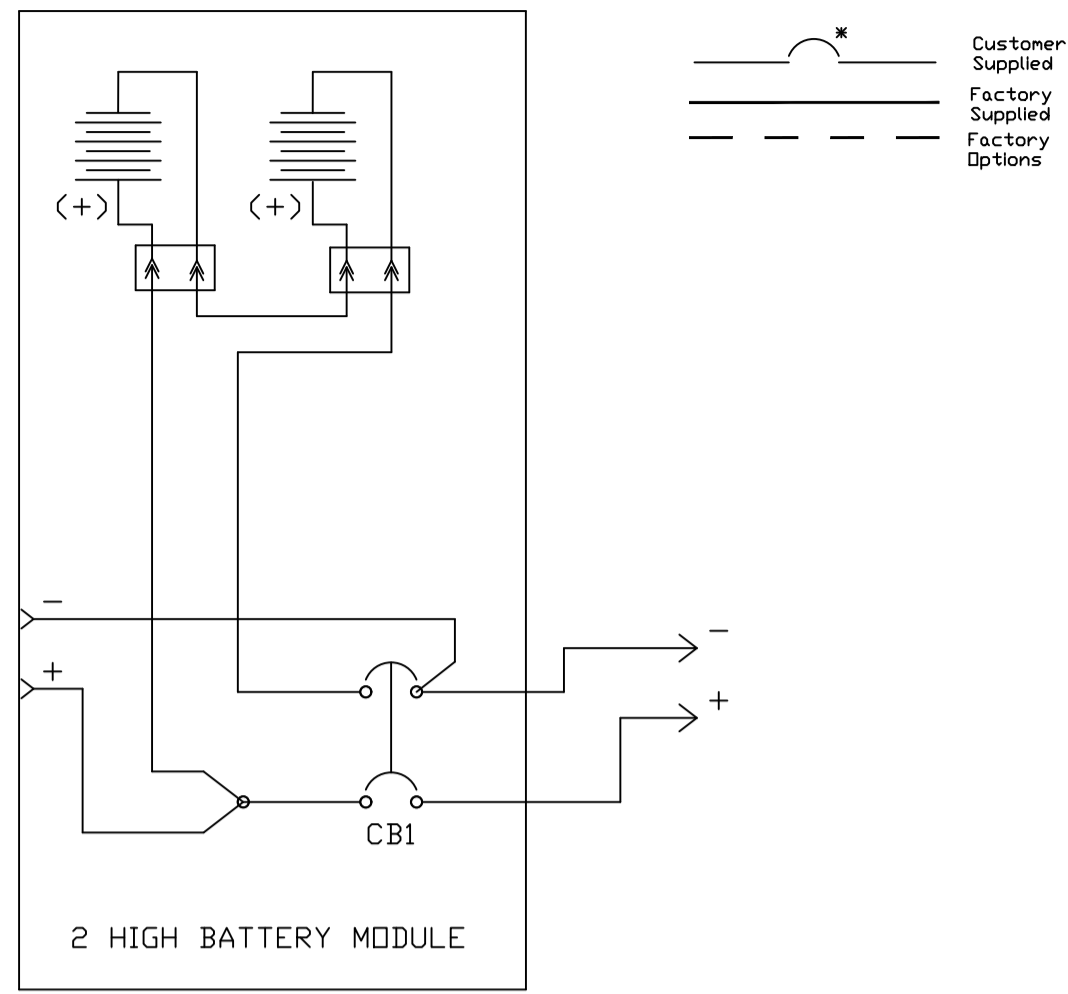
BACK-SIDE ISOMETRIC VIEW  
SCALE 3:20



METRIC		EATON CORPORATION	
DIMENSIONS ARE IN MILLIMETERS AFTER PLATING DIMENSIONS AND TOLERANCES IN ACCORDANCE WITH ASME Y14.5M-1994. SEE NOTES FOR TOLERANCES.			
DESCRIPTION: 9X55 8-15kVA BATTERY CABINET 2 HIGH SITE PLAN			
ORIGINATED: A. PAWAR	12-JUN-2017	ECD: ECD-145419	NAME:
MODIFIED: A. PAWAR	08-AUG-2018		REVISION: 02
CHECKED:		DOCUMENT TYPE:	P-110000543
SAFETY:		PROJ.-E. DRAWING	STATE: RELEASE
APPROVED:			SHEET: 1 OF 2

NOTICE TO PERSONS RECEIVING THIS DOCUMENT AND/OR TECHNICAL INFORMATION: THIS DOCUMENT, INCLUDING THE DRAWING AND INFORMATION CONTAINED THEREIN, IS CONFIDENTIAL AND IS THE EXCLUSIVE PROPERTY OF EATON CORPORATION AND IS HEREBY ON LOAN AND SUBJECT TO RETURN BY DATE OF AND TIME OF RECEIPT. NO PART OF THIS DOCUMENT IS TO BE REPRODUCED OR TRANSMITTED IN ANY FORM OR BY ANY MEANS, ELECTRONIC OR MECHANICAL, INCLUDING PHOTOCOPYING, RECORDING, OR BY ANY INFORMATION STORAGE AND RETRIEVAL SYSTEM, WITHOUT THE WRITTEN CONSENT OF EATON. IN THE CASE OF COMPLETING CONTRACTUAL PROVISIONS, THIS NOTICE SHALL COVER THE STATUS OF THIS DOCUMENT.

NOTE: DIAGRAM ILLUSTRATES ONE OF FOUR BATTERY STRINGS



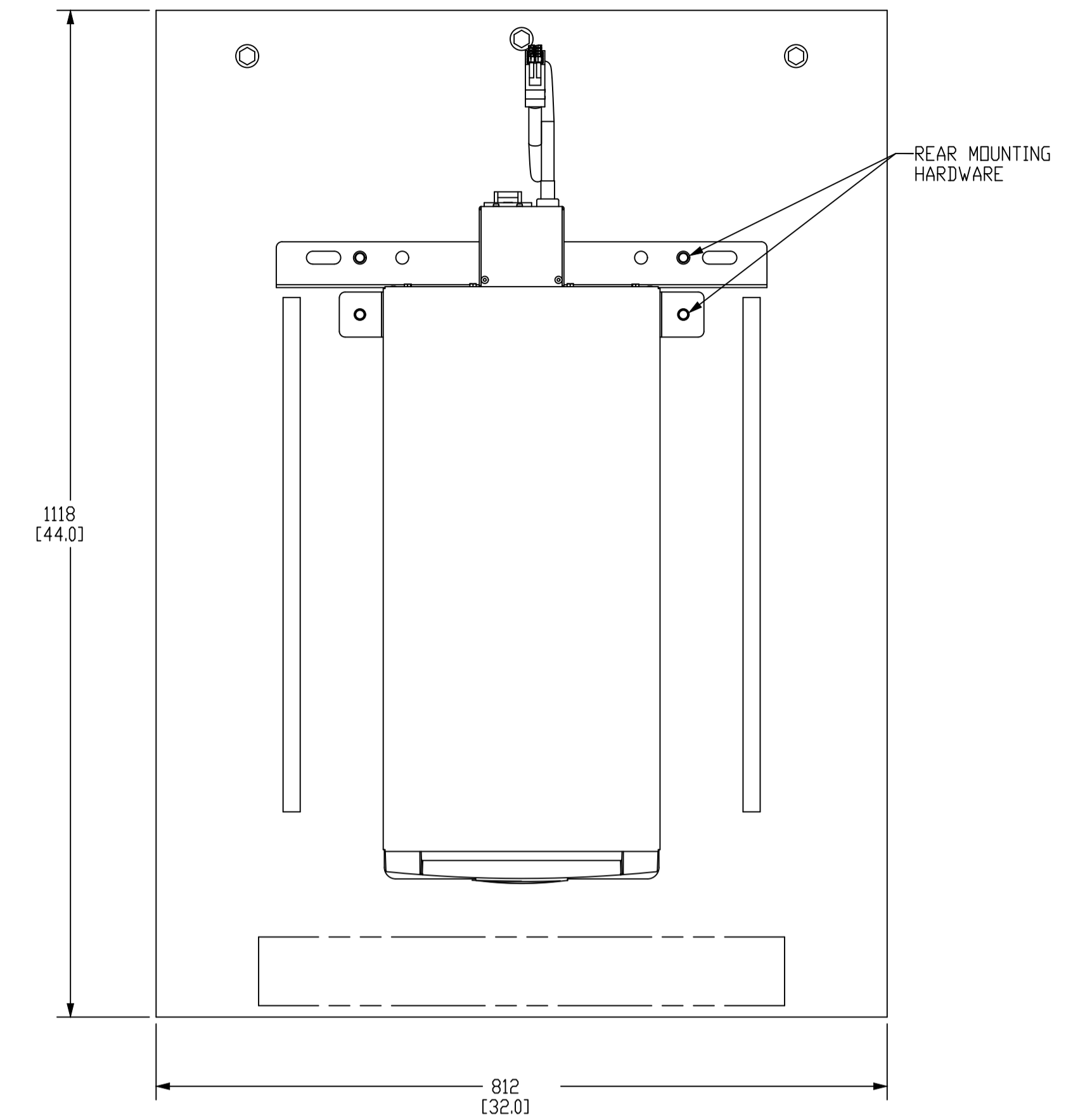
ONE-LINE DIAGRAM FOR 8-15KVA 2HIGH BATTERY MODULE

8-15kVA 2 HIGH EXTENDED BATTERY MODULE	PACKAGED ENVELOPE DIMENSIONS MM (INCHES)		
	WIDTH	DEPTH	HEIGHT
	812 [32]	1118 [44.0]	950 [37.4]

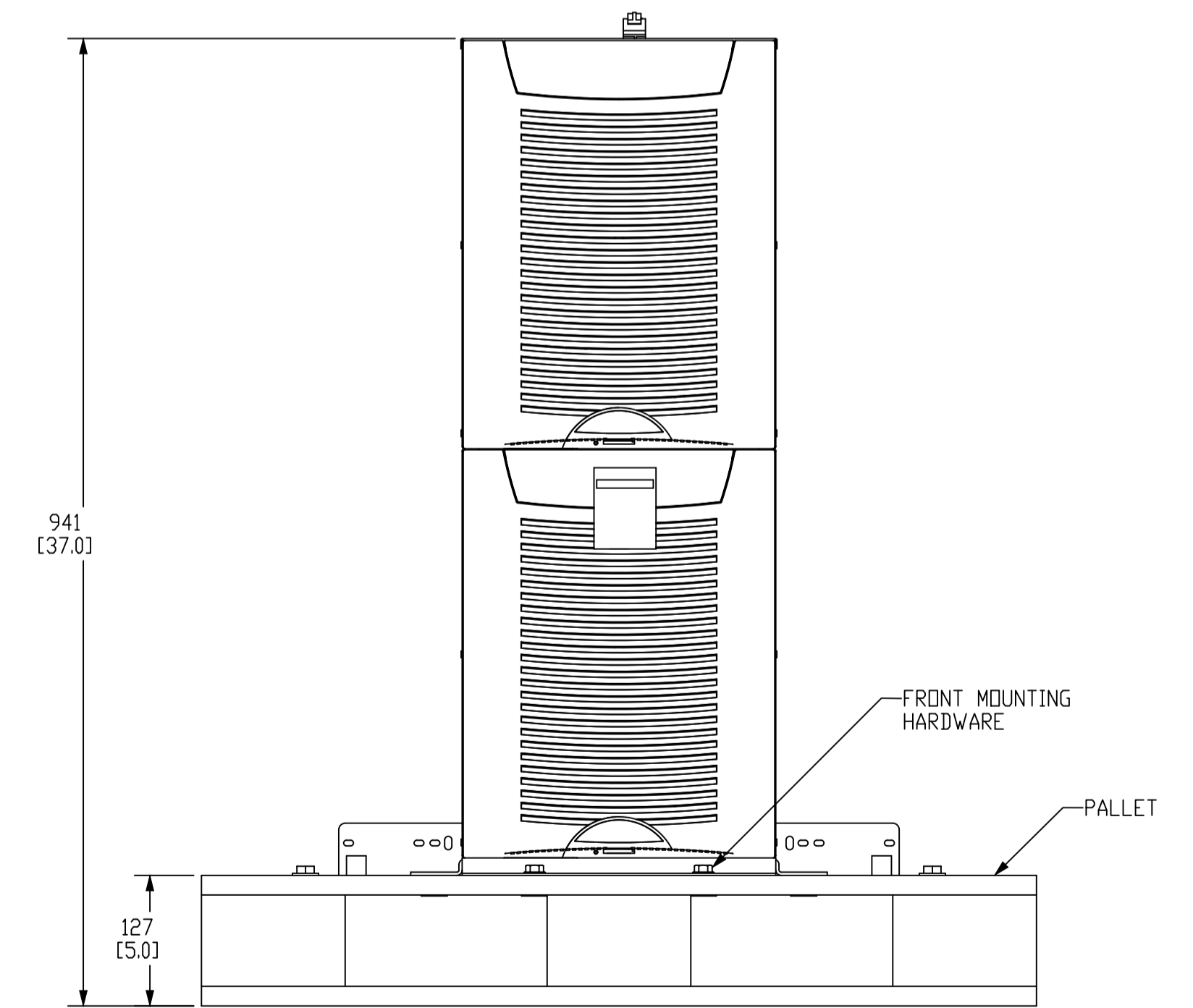
BREAKER AND FUSE INFORMATION		
BREAKER/FUSE	MANUFACTURER	PART NUMBER
BATTERY BREAKER	AIRPAX	229-2-33735-101

INTERNAL BATTERY INFORMATION				
BATTERY MANUFACTURER	EATON POWERWARE	CSB BATTERY TECHNOLOGIES, INC.	ENERSYS, INC.	JAPAN STORAGE BATTERY
BATTERY MODEL	PWHR12120W3FR OR PWHR1234W2FR	HRL1234WFR	NP7-12 AND NP7-12FR OR NPX-35 AND NPX-35FR	PX12090 AND PE12V7.2
BATTERY QUANTITY	16 PER STRING	16 PER STRING	16 PER STRING	16 PER STRING

TOP VIEW WITH PALLET



FRONT VIEW WITH PALLET



METRIC	EATON CORPORATION		<b>EATON</b>
DIMENSIONS ARE IN MILLIMETERS AFTER PLATING DIMENSIONS AND TOLERANCES IN ACCORDANCE WITH ASME Y14.5M-1994. SEE NOTES FOR TOLERANCES.			
DESCRIPTION: 9X55 8-15KVA BATTERY CABINET 2 HIGH SITE PLAN			
ORIGINATED A. PAWAR	12-JUN-2017	ECD: ECD-145419	NAME:
MODIFIED A. PAWAR	08-AUG-2018		REVISION: 02
CHECKED		DOCUMENT TYPE: P-110000543	SCALE: 1:1
SAFETY			SHEET: 2 OF 2
APPROVED			

NOTICE: TO PREVENT RECEIVING THIS DOCUMENT AND/OR TECHNICAL INFORMATION FROM BEING DISCLOSED TO ANY OTHER PARTY, THIS DOCUMENT IS THE EXCLUSIVE PROPERTY OF EATON CORPORATION AND IS HEREBY ON LOAN AND SUBJECT TO RETURN TO EATON CORPORATION BY THE RECIPIENT. ANY REPRODUCTION OR DISTRIBUTION OF THIS DOCUMENT WITHOUT THE WRITTEN CONSENT OF EATON CORPORATION IS STRICTLY PROHIBITED. THIS NOTICE SHALL GOVERN THE STATUS OF THIS DOCUMENT.