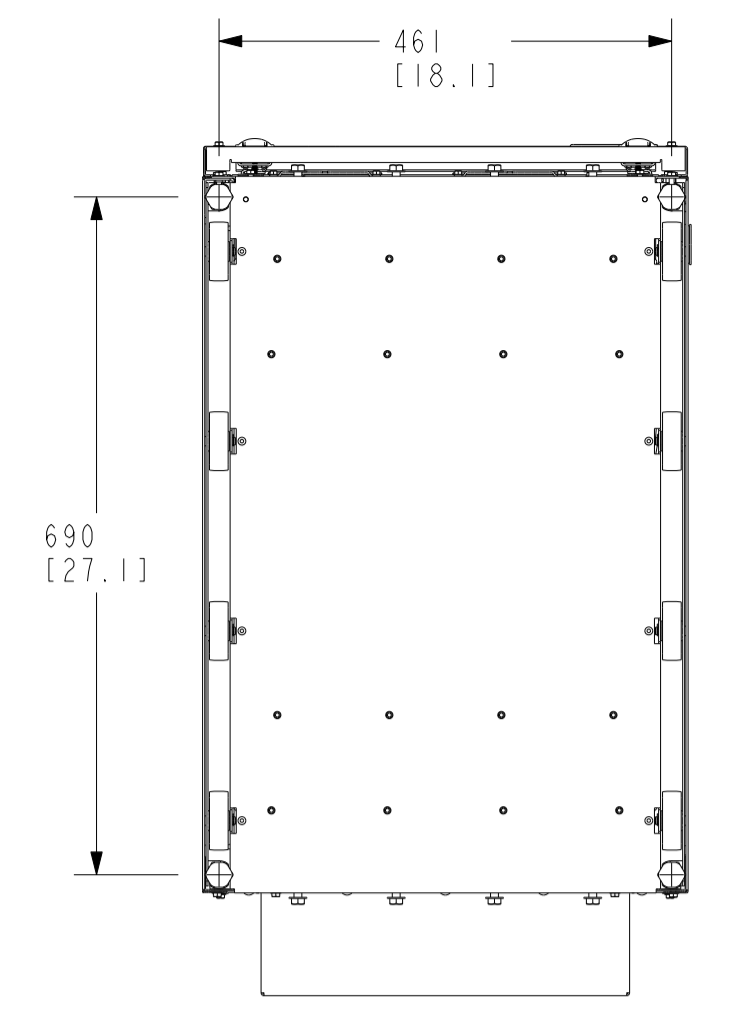


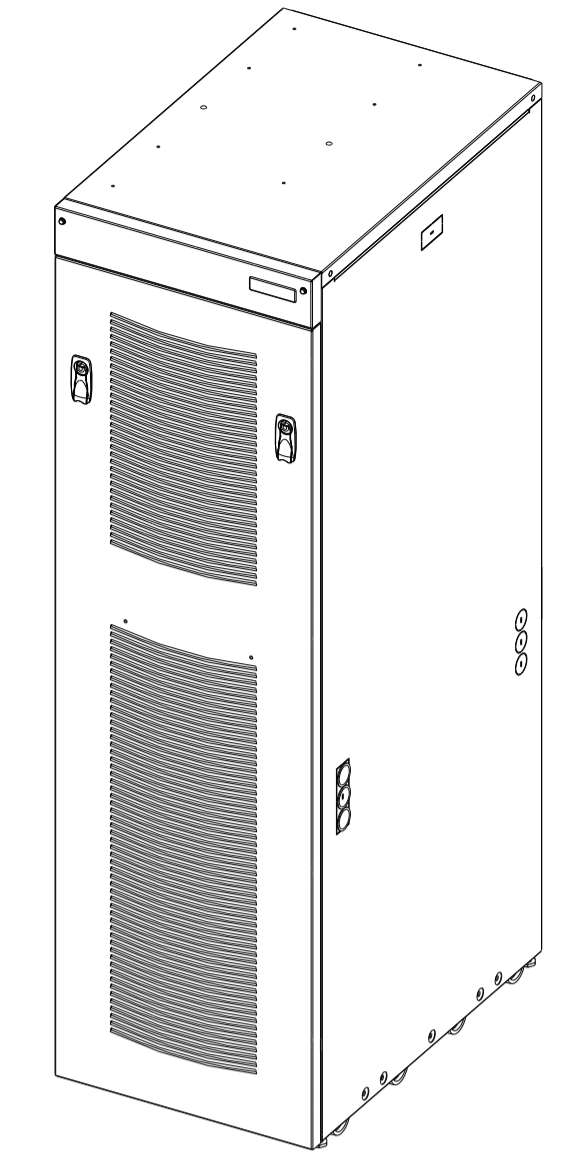
TOP VIEW



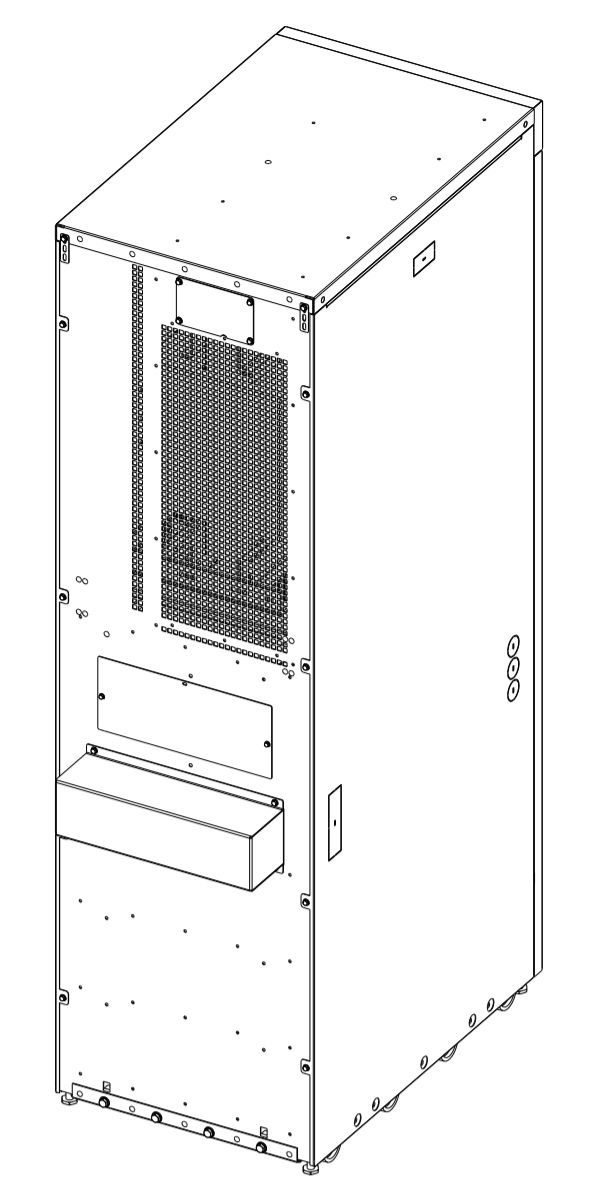
BOTTOM VIEW

WEIGHT AND CENTER OF GRAVITY				
	A	B	C	WEIGHT
	MM [INCH]	MM [INCH]	MM [INCH]	KG [LBS]
9355 20-30KVA OPTIONS CABINET WITH MAINTENANCE BYPASS SWITCH (MBS) ONLY	249 [9.8]	437 [17.2]	748 [29.4]	93 [205]
9355 20-30KVA OPTIONS CABINET WITH SINGLE (INPUT OR OUTPUT) TRANSFORMER	234 [9.21]	399 [15.7]	496 [19.5]	243 [535]
9355 20-30KVA OPTIONS CABINET WITH DUAL (INPUT AND OUTPUT) TRANSFORMER	230 [9.0]	361 [14.2]	757 [29.8]	360 [792]

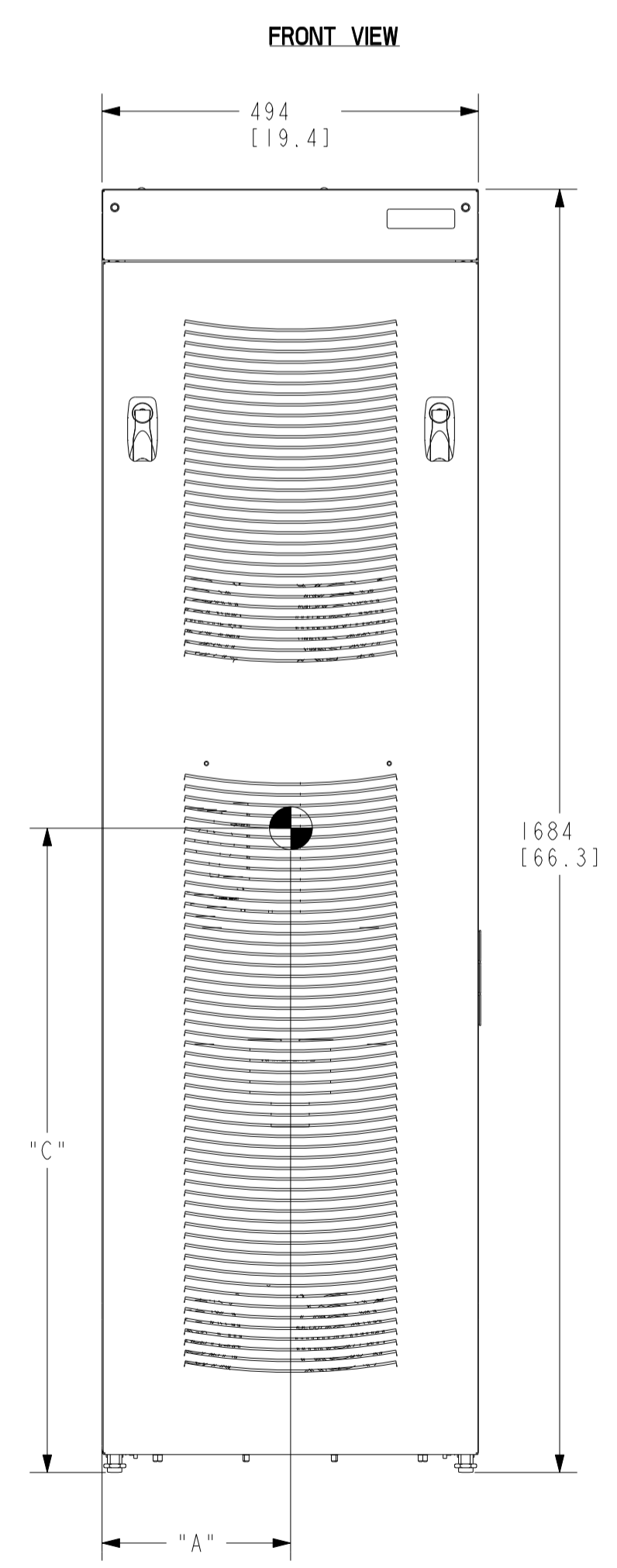
- NOTES:
1. THE SYSTEM MUST BE INSTALLED ON A LEVEL FLOOR SURFACE SUITABLE FOR COMPUTER OR ELECTRONIC EQUIPMENT.
  2. CONTROL WIRING ENTRY THROUGH REMOVABLE CONDUIT LANDING PLATE.
  3. THE SYSTEM MUST BE INSTALLED IN A TEMPERATURE AND HUMIDITY CONTROLLED INDOOR AREA FREE OF CONDUCTIVE CONTAMINANTS.
  4. AMBIENT TEMPERATURE RANGE 5-40°C [41-104degF] AT AN OPERATING ELEVATION UP TO 3000M WITHOUT DERATING. STORAGE TEMPERATURE -25 to +55°C. RELATIVE HUMIDITY(OPERATING AND STORAGE) 5% TO 95% MAX NON CONDENSING.
  5. OPTIONS CABINET CLEARANCES:  
FRONT OF THE CABINET: 914mm[36.0"]  
RIGHT OF THE CABINET: NONE  
LEFT OF THE CABINET: NONE  
VENTILATION REAR : 152MM[6.0"]
  6. MINIMUM REQUIRED AIR FLOW FOR CABINET AT FULL LOAD IS 800 CFM.
  7. ALL WIRING IN ACCORDANCE WITH NATIONAL AND LOCAL ELECTRIC CODES.
  8. WEIGHT OF THE CABINET DOES NOT INCLUDE CUSTOMER WIRING.
  9. AC INPUT TO CABINETS WITHOUT INPUT TRANSFORMER: 3 PHASES, NEUTRAL, GROUND.  
AC OUTPUT TO LOAD: 3 PHASES, NEUTRAL, GROUND.
  10. 208V, 480V, OR 600V 60-HZ INPUT IS AVAILABLE WHEN USING THE OPTIONS CABINET WITH AN INPUT ISOLATION TRANSFORMER.  
480/480 VAC IS AVAILABLE WHEN USING THE OPTIONS CABINET WITH AN OUTPUT TRANSFORMER.
  11. SPECIFICATIONS ARE SUBJECT TO CHANGE.



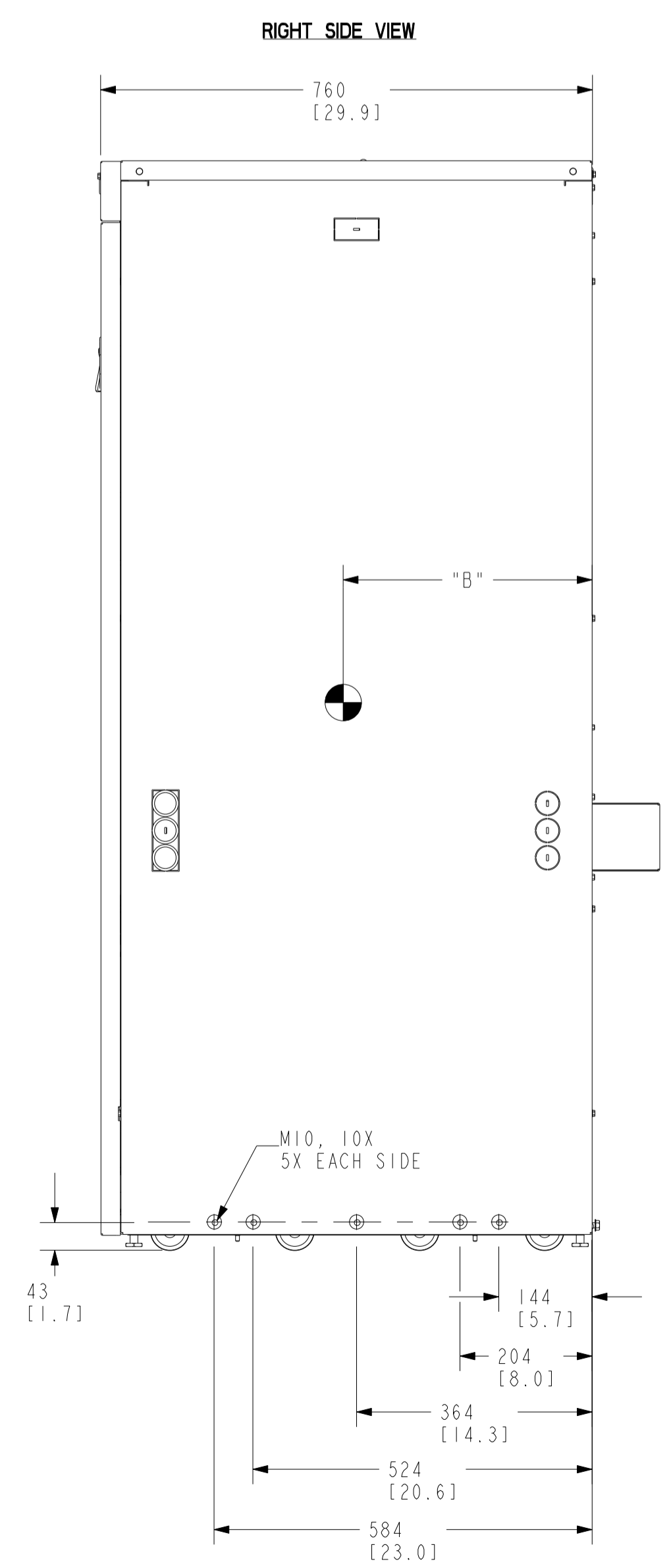
FRONT-SIDE ISOMETRIC VIEW SCALE 2:25



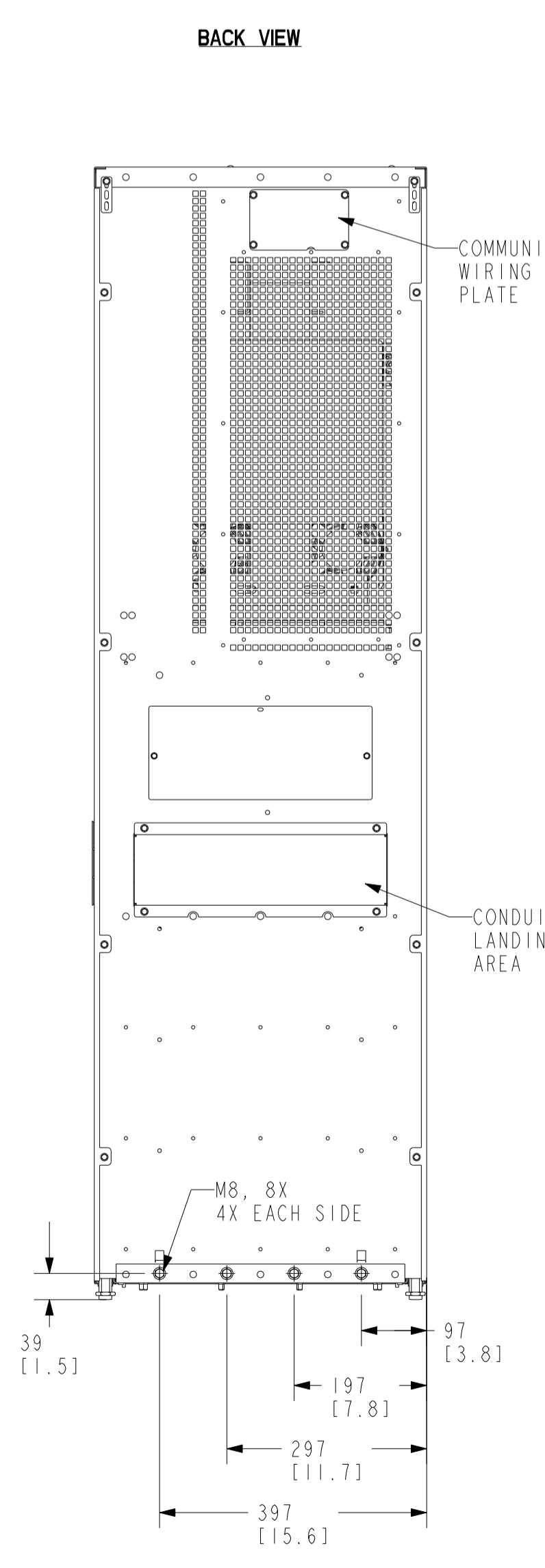
BACK-SIDE ISOMETRIC VIEW SCALE 2:25



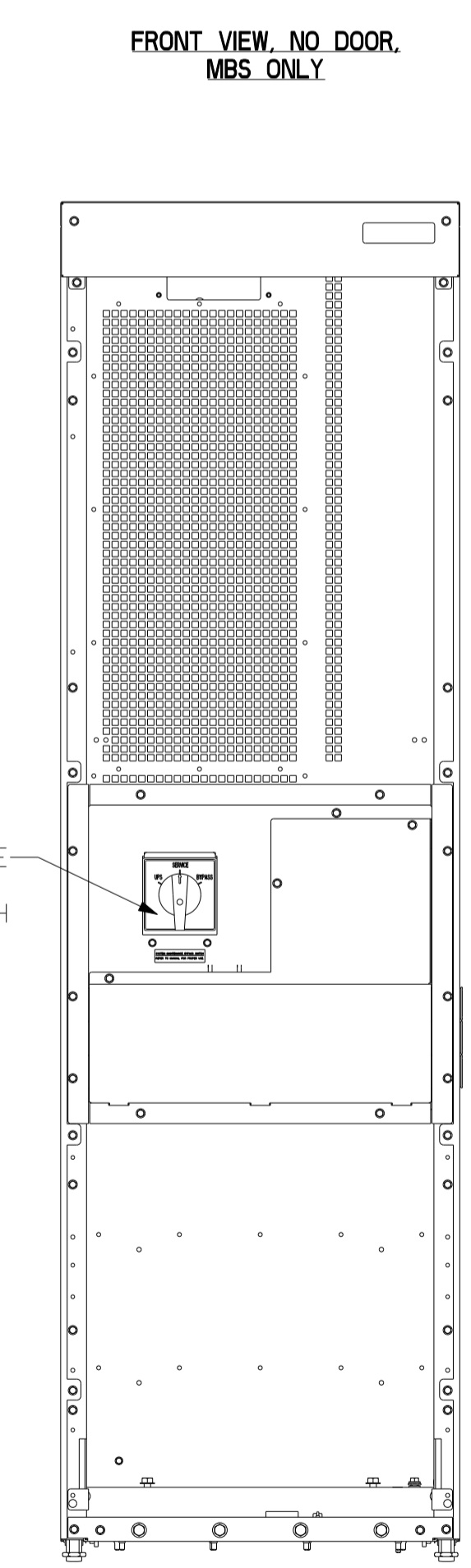
FRONT VIEW



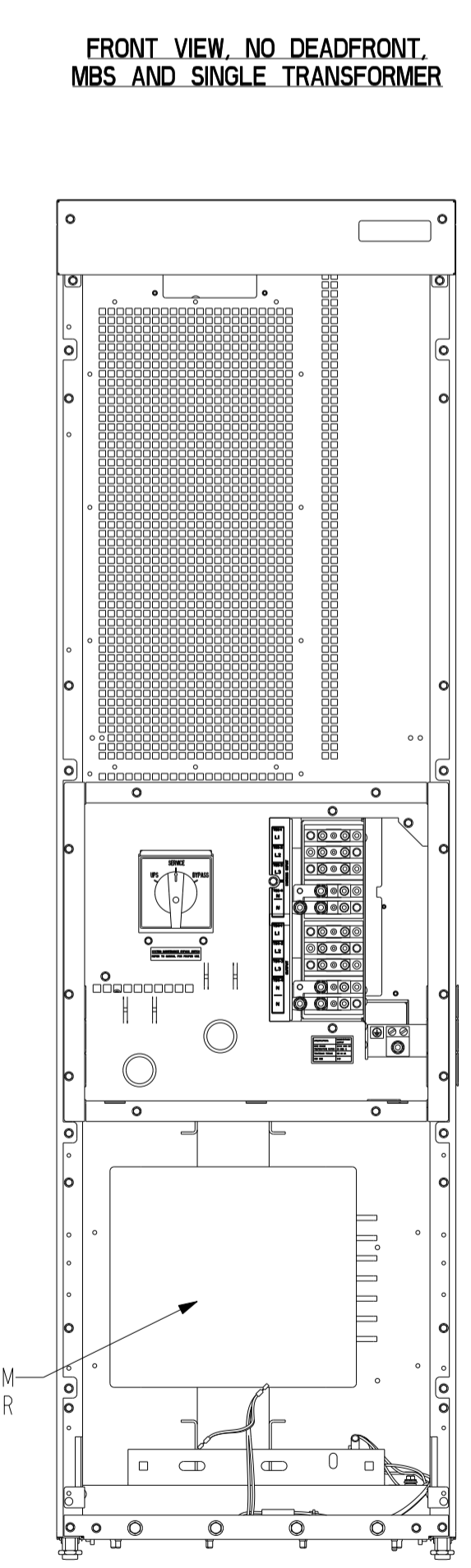
RIGHT SIDE VIEW



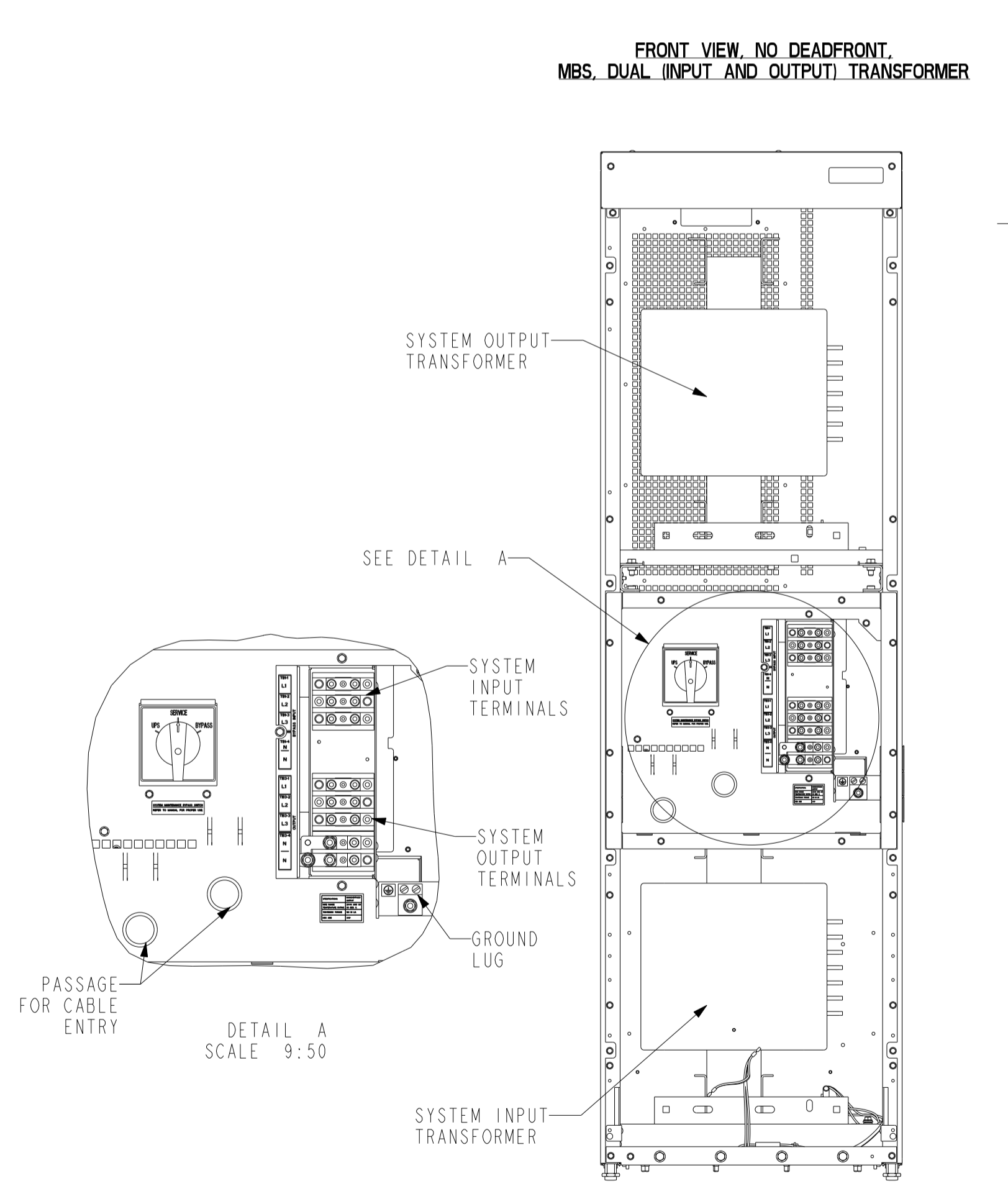
BACK VIEW



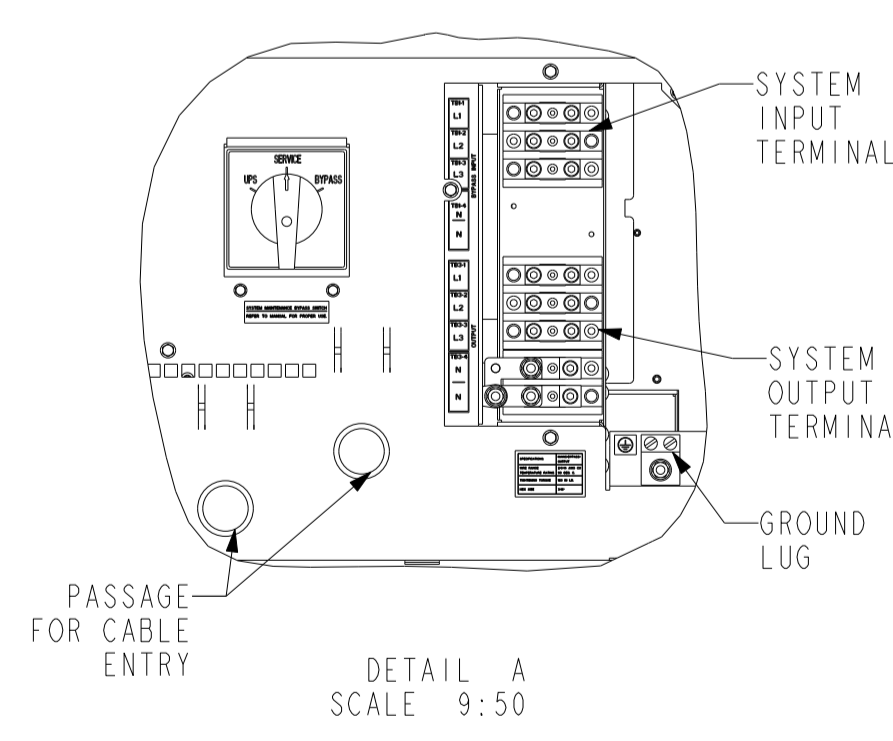
FRONT VIEW, NO DOOR, MBS ONLY



FRONT VIEW, NO DEADFRONT, MBS AND SINGLE TRANSFORMER



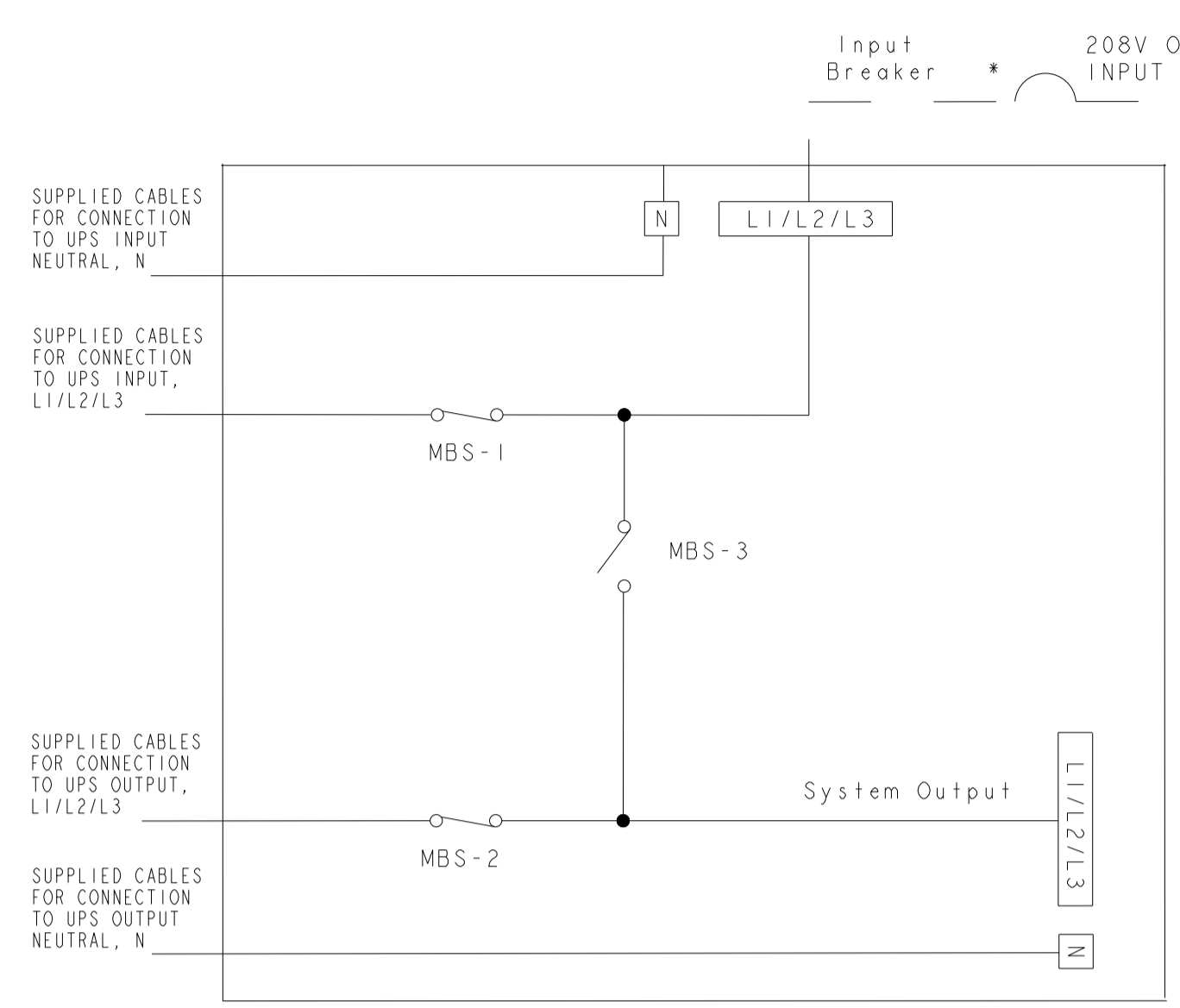
FRONT VIEW, NO DEADFRONT, MBS, DUAL INPUT AND OUTPUT TRANSFORMER



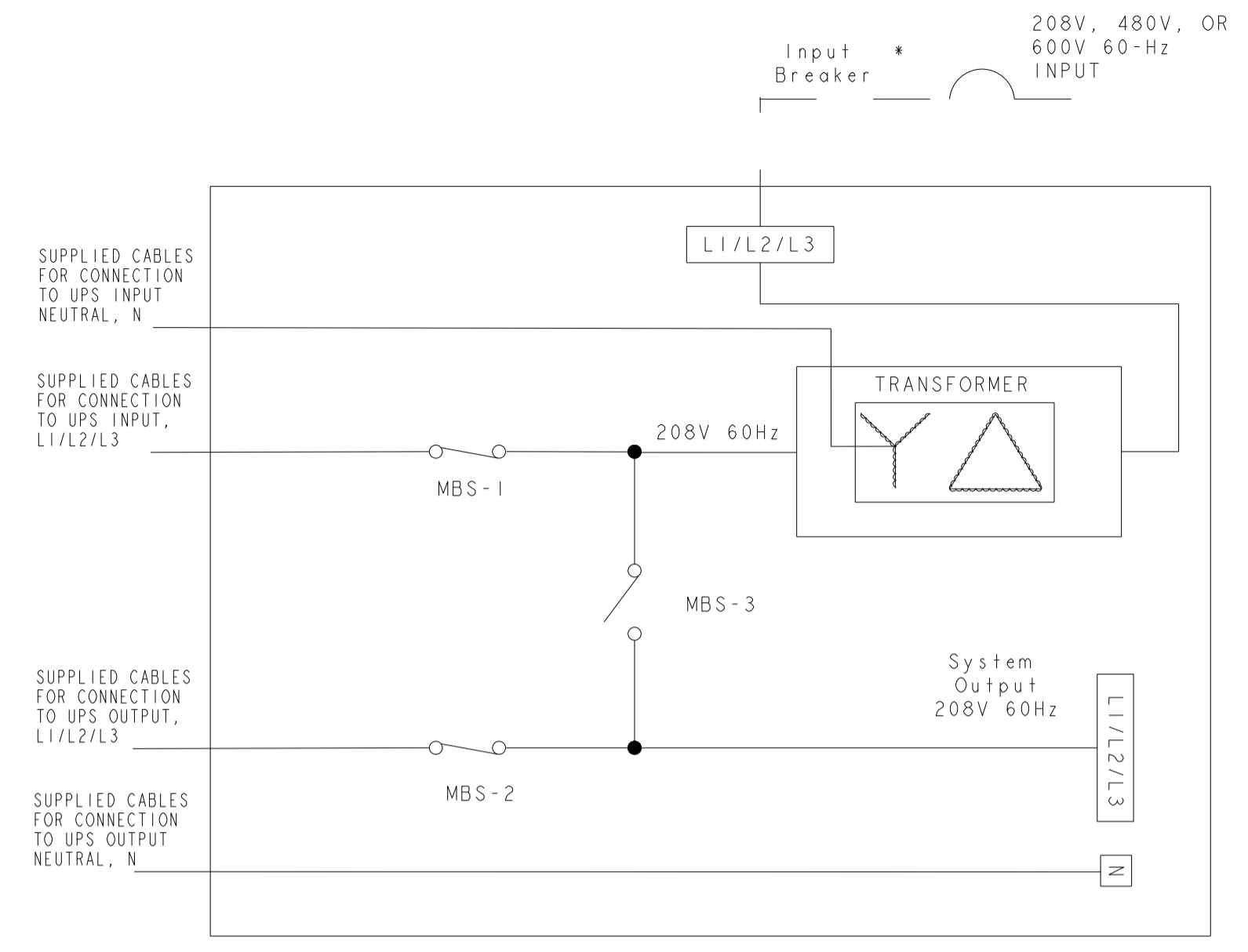
DETAIL A SCALE 9:50

METRIC		EATON CORPORATION		EATON	
DIMENSIONS ARE IN MILLIMETERS AFTER PLATING. DIMENSIONS AND TOLERANCES IN ACCORDANCE WITH ASME Y14.5M-1994. SEE NOTES FOR TOLERANCES.					
DESCRIPTION: 9355 20-30KVA OPTIONS CABINET SITE PLAN					
ORIGINATED: A., PAWAR	12-JUN-2017	ECD: ECO-TS4-19	NAME:	REVISION: 02	SIZE: A1
MODIFIED: A., PAWAR	13-AUG-2018			STATE: Release	SCALE: 13:100
CHECKED:		DOCUMENT TYPE:	P-110000545		SHEET: 1 OF 2
SAFETY:		PRO-E DRAWING			
APPROVED:					

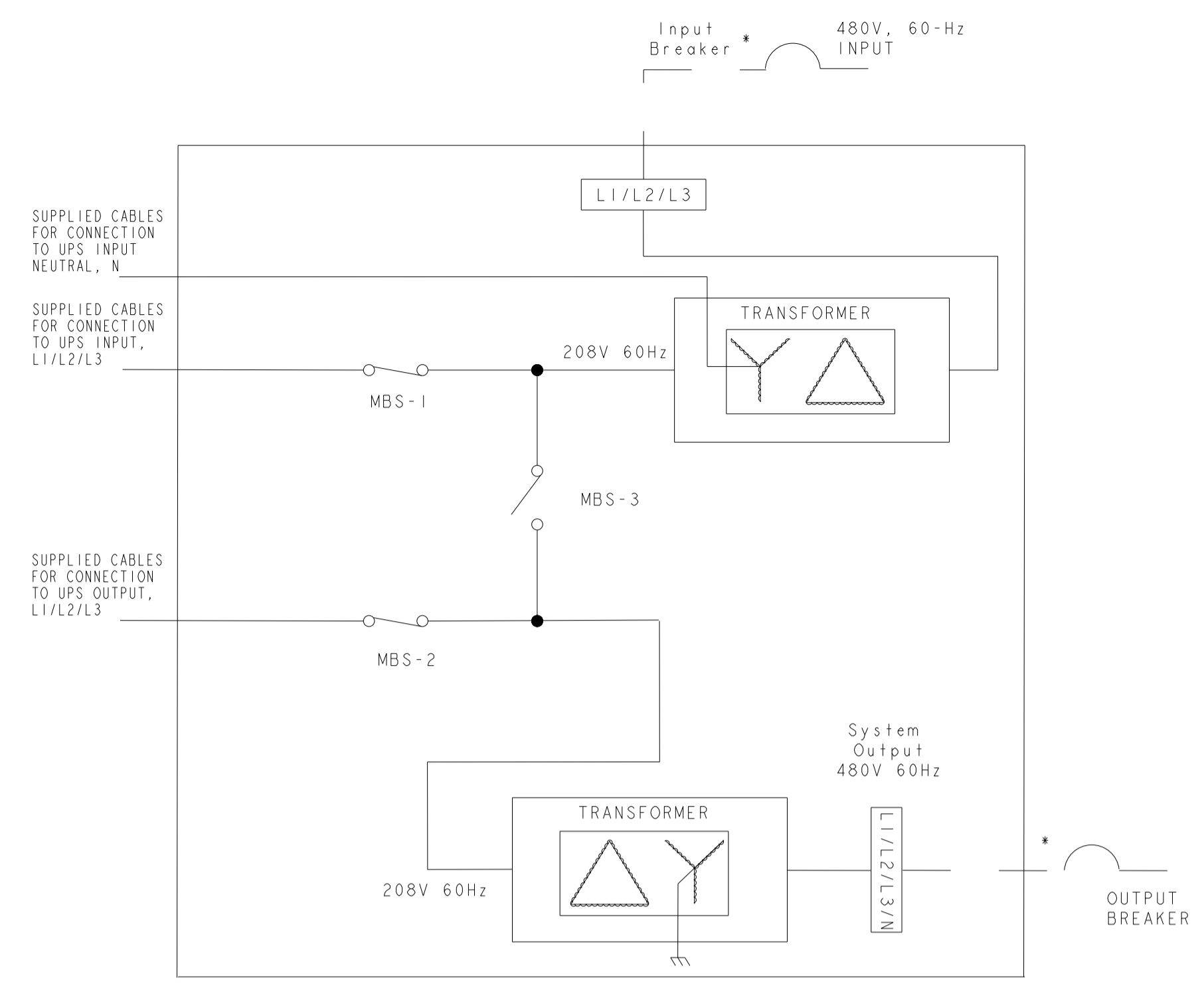
EATON CORPORATION - CONFIDENTIAL AND PROPRIETARY  
NOTICE TO PERSONS RECEIVING THIS DOCUMENT AND/OR TECHNICAL INFORMATION  
THIS DOCUMENT, INCLUDING THE DRAWING AND INFORMATION CONTAINED THEREIN, IS CONFIDENTIAL AND IS THE EXCLUSIVE PROPERTY OF EATON CORPORATION AND IS HEREBY ON LOAN AND SUBJECT TO BEAL BY RETURN AT ANY TIME. NO TRANSMISSION OR REPRODUCTION OF THIS DOCUMENT, INCLUDING ANY INFORMATION CONTAINED THEREIN, IS TO BE MADE IN ANY FORM OR BY ANY MEANS, WITHOUT THE WRITTEN CONSENT OF EATON CORPORATION. THIS NOTICE SHALL GOVERN THE STATUS OF THIS DOCUMENT.



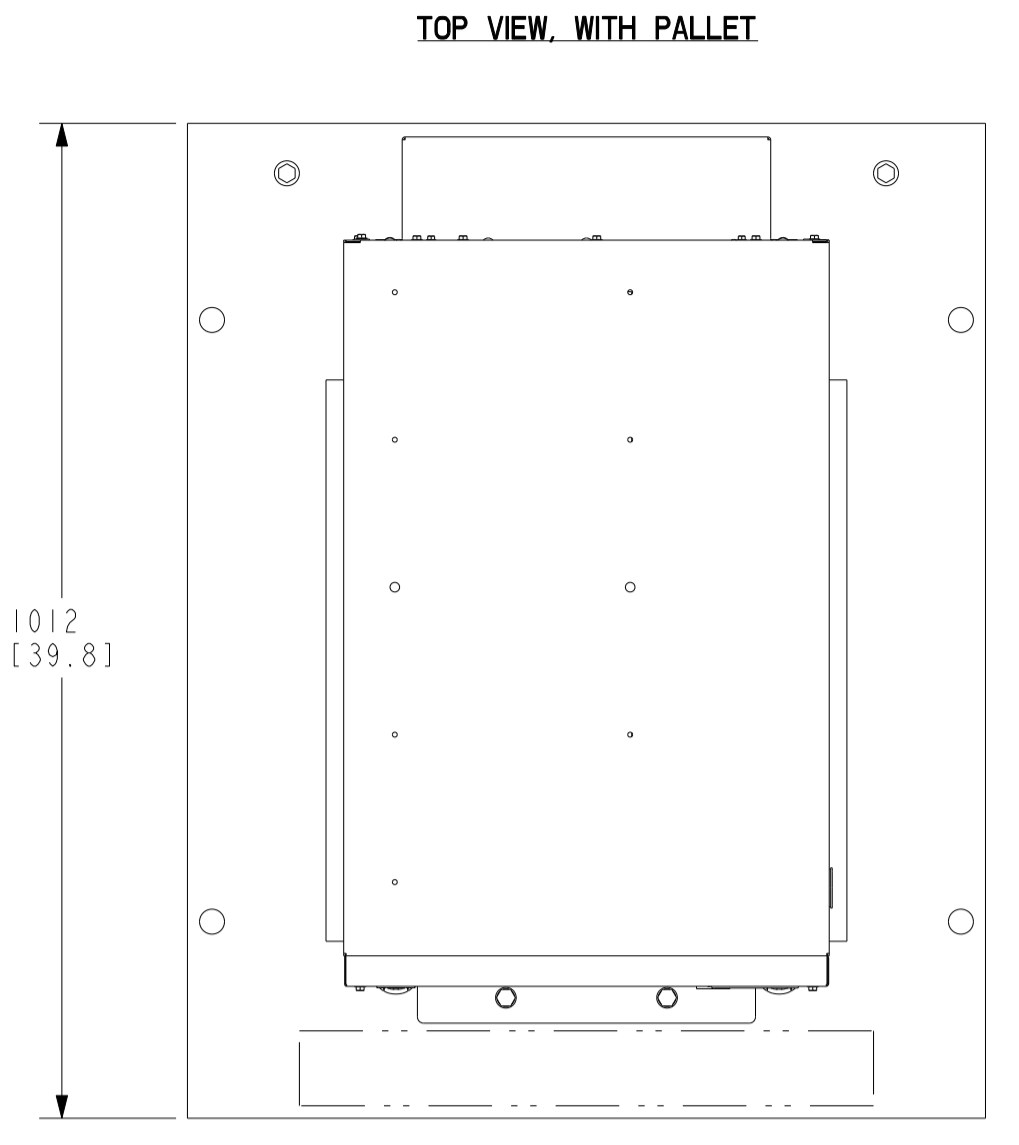
9355 OPTIONS CABINET WITH MBS ONLY



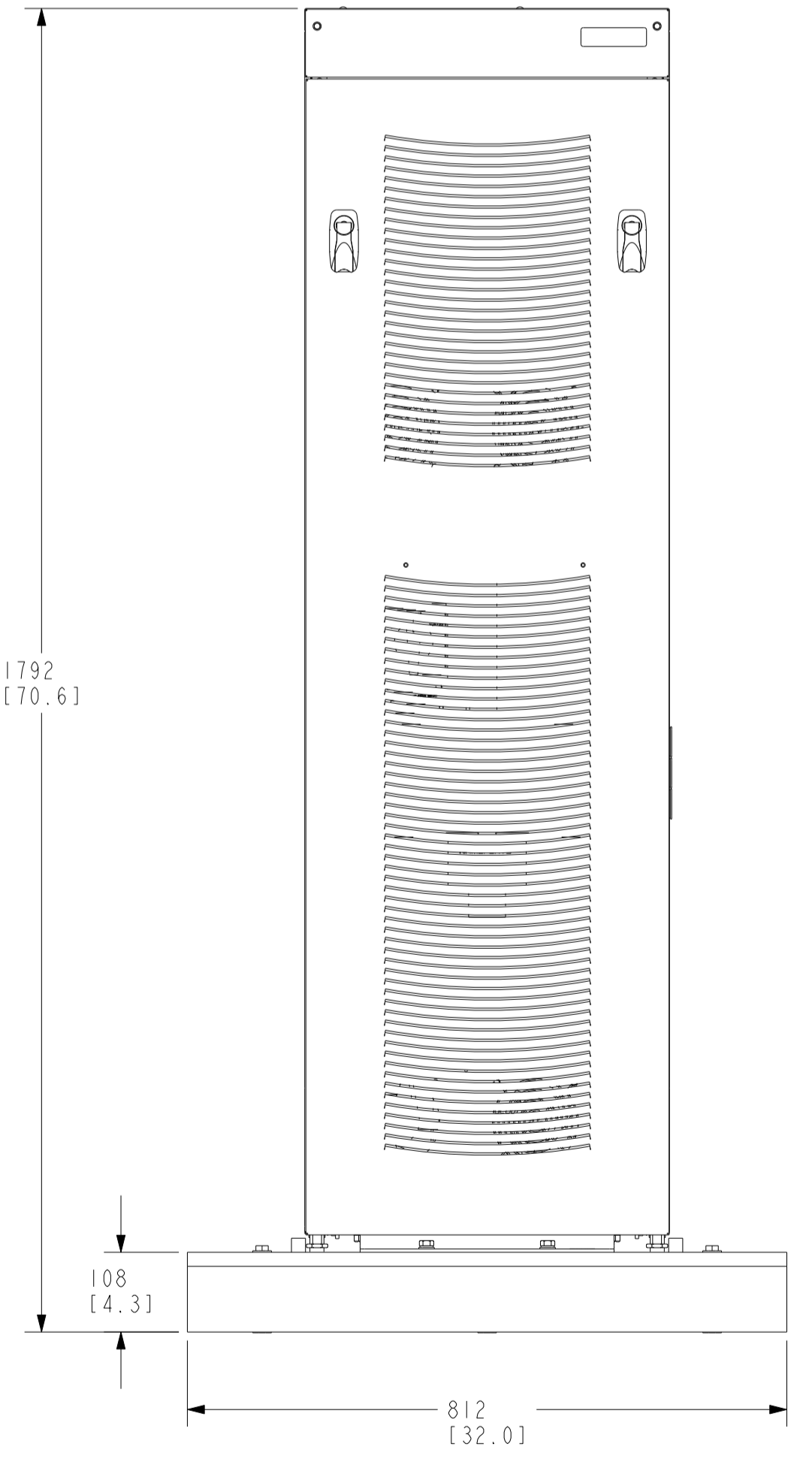
9355 OPTIONS CABINET WITH TRANSFORMER AND MBS



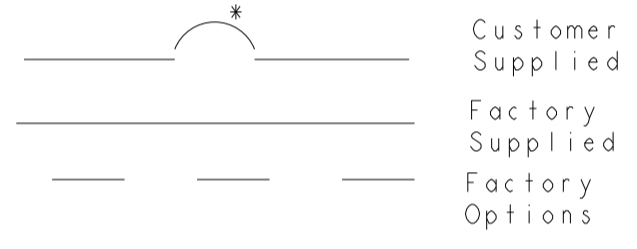
9355 OPTIONS CABINET WITH INPUT ISOLATION TRANSFORMER, OUTPUT ISOLATION TRANSFORMER AND MBS



FRONT VIEW WITH PALLET



MBS	1	2	3
UPS	CLOSED	CLOSED	OPEN
SERVICE	CLOSED	OPEN	CLOSED
BYPASS	OPEN	OPEN	CLOSED



IMPEDANCE VALUE FOR TRANSFORMERS		
EATON P/N	IMPEDANCE (%)	DESCRIPTION
V29M28E35M-50C	4.76	TRANSFORMER, 208/208 DELTA/WYE
V48M28E35M-50C	4.55	TRANSFORMER, 480/208 DELTA/WYE 35kVA
V60M28E35M-50C	4.19	TRANSFORMER, 600/208 DELTA/WYE
V29M47E30M-50C	3.96	TRANSFORMER, 208/480 DELTA/WYE 30kVA

<b>9355 20-30KVA OPTIONS CABINET</b>	PACKAGED ENVELOPE DIMENSIONS MM [INCHES]		
	WIDTH	DEPTH	HEIGHT
	812 [32]	1012 [39.8]	1800 [70.9]

NOTES:

- USE ONLY 90°C-RATED COPPER WIRE. MINIMUM WIRE SIZE IS BASED ON 120/208 FULL LOAD RATINGS APPLIED TO NATIONAL ELECTRICAL CODE® (NEC®) TABLE 310.15(B)(16). CODE MAY REQUIRE A LARGER AWG SIZE THAN SHOWN IN THIS TABLE BECAUSE OF TEMPERATURE, NUMBER OF CONDUCTORS IN THE CONDUIT, OR LONG SERVICE RUNS. FOLLOW LOCAL REQUIREMENTS.
- PER NEC ARTICLE 300-20(A) FOR FERROUS METAL RACEWAYS, ALL THREE-PHASE CONDUCTORS MUST BE RUN IN THE SAME CONDUIT. NEUTRAL AND GROUND MUST BE RUN IN THE SAME CONDUIT AS THE PHASE CONDUCTORS.
- CONDUIT IS SIZED TO ACCOMMODATE ONE NEUTRAL CONDUCTOR THE SAME SIZE AS THE PHASE CONDUCTOR AND ONE GROUND CONDUCTOR. IF TWO NEUTRAL CONDUCTORS OR AN OVERSIZED NEUTRAL CONDUCTOR ARE TO BE INSTALLED, CHECK THE SIZE OF THE CONDUIT NEEDED TO ACCOMMODATE THE EXTRA WIRE OR SIZE AND USE THAT CONDUIT SIZE IN PLACE OF THE CONDUIT SIZE LISTED. CONDUIT SIZES WERE CHOSEN FROM NEC TABLE C1, TYPE LETTERS RHH, RHW, RHW-2, TW, THW, THHW, THW-2.

METRIC		EATON CORPORATION		<b>EATON</b>	
DIMENSIONS ARE IN MILLIMETERS AFTER PLATING. DIMENSIONS AND TOLERANCES IN ACCORDANCE WITH ASME Y14.5M-1994. SEE NOTES FOR TOLERANCES.					
DESCRIPTION: 9355 20-30KVA OPTIONS CABINET SITE PLAN					
ORIGINATED: A. PAWAR	12-JUN-2017	ECD: ECO-165419	NAME:	REVISION: 02	SIZE: A1
MODIFIED: A. PAWAR	13-AUG-2018	DOCUMENT TYPE:	P-110000545	STATE: Release	SCALE: 13:100
CHECKED:		PRO-E DRAWING			SHEET: 2 OF 2
SAFETY:					
APPROVED:					

NOTICE TO PERSONS RECEIVING THIS DOCUMENT AND/OR TECHNICAL INFORMATION: EATON CORPORATION - CONFIDENTIAL AND PROPRIETARY. THIS DOCUMENT, INCLUDING THE DRAWING AND INFORMATION CONTAINED THEREIN, IS CONFIDENTIAL AND IS THE EXCLUSIVE PROPERTY OF EATON CORPORATION AND IS MEANT TO BE SHOWN AND SUBJECT TO BEAL BY EATON AND NOT TO BE REPRODUCED OR TRANSMITTED IN ANY FORM OR BY ANY MEANS, ELECTRONIC OR MECHANICAL, INCLUDING PHOTOCOPYING, RECORDING, OR BY ANY INFORMATION STORAGE AND RETRIEVAL SYSTEM. WITHOUT THE WRITTEN CONSENT OF EATON. IN THE CASE OF COMPLETING CONTRACTS FOR THIS DRAWING, THE CUSTOMER SHALL GOVERN THE STATUS OF THIS DOCUMENT.