

DESCRIPTION: MAINTENANCE BYPASS PANEL – 3 CIRCUIT BREAKER

RATING: 208Y/120 VAC
30kVA

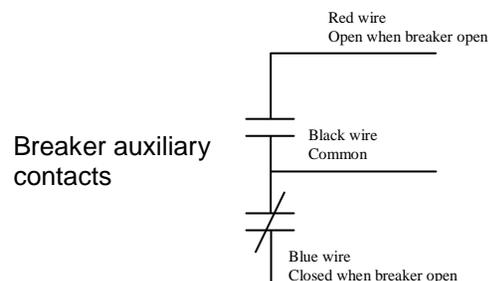
DIMENSIONS: See attached Cutler Hammer drawings.

WEIGHT: See attached Cutler Hammer drawings.

COLOR: ANSI 61 Gray

SUPPLIER: EATON (CUTLER HAMMER)

SCHEMATIC: See attached Cutler Hammer drawings.



EATON			
Description: MAINT BYPASS PNL - 3 CB 30KVA			
Project:		Format: MS Word	Subclass: COMPONENT
Created By: J HARDY	Creation Date: 30-AUG-2007	Modified By: M. Carnes	Modification Date: 09-OCT-2018
Revision: 04	ECO Number: ECO-149942	Status: RELEASED	Size: AV
Object ID: 124100028			Sheet: 1 of 10
THESE DRAWINGS AND SPECIFICATIONS ARE THE PROPERTY OF EATON CORP. AND SHALL NOT BE REPRODUCED OR COPIED OR USED AS THE BASIS FOR MANUFACTURE OR SALE OF APPARATUS WITHOUT PERMISSION.			

EATON P/N	DESCRIPTION	MAIN BUS RATING (AMP)	NEUTRAL BUS RATING (AMPS)	MIB RATING	MBP RATING	MIS RATING
124100028-001	MBP,3BKR,30 kVA	225	225	125	110	110
124100028-002	MBP,3BKR,30 kVA, TVSS	225	225	125	110	110
124100028-003	MBP,3BKR,30 KVA,PNLBD 65 kA	225	225	125	110	110
124100028-004	MBP,3BKR, 30kVA, TVSS & PNLBD 65 kA	225	225	125	110	110
124100028-006	MBP,3BKR, 30 KVA,PNLBD 22kA	225	225	125	110	110
124100028-007	MBP,3BKR, 30 kVA,PNLBD, 10kA	225	225	125	110	110
124100028-008	MBP,3BKR, 30kVA, TVSS & PNLBD 22 kA	225	225	125	110	110
124100028-009	MBP,3BKR, 30kVA, TVSS & PNLBD 10 kA	225	225	125	110	110

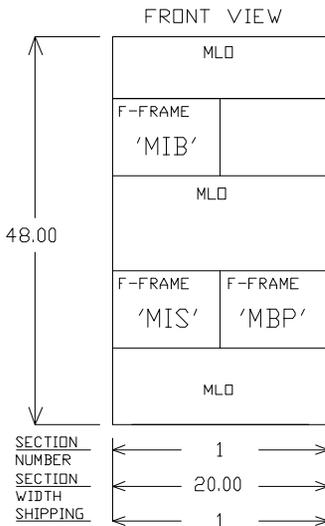
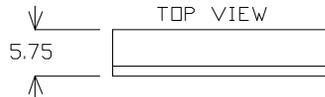
The cabinet must be UL / C-UL Listed in accordance with UL67.

EATON					
Description: MAINT BYPASS PNL - 3 CB 30KVA					
Project:			Format: MS Word	Subclass: COMPONENT	
Created By: J HARDY	Creation Date: 30-AUG-2007	Modified By: M. Carnes	Modification Date: 09-OCT-2018		
Revision: 04	ECO Number: ECO-149942	Status: RELEASED	Size: AV		
Object ID: 124100028			Sheet: 2 of 10		
THESE DRAWINGS AND SPECIFICATIONS ARE THE PROPERTY OF EATON CORP. AND SHALL NOT BE REPRODUCED OR COPIED OR USED AS THE BASIS FOR MANUFACTURE OR SALE OF APPARATUS WITHOUT PERMISSION.					

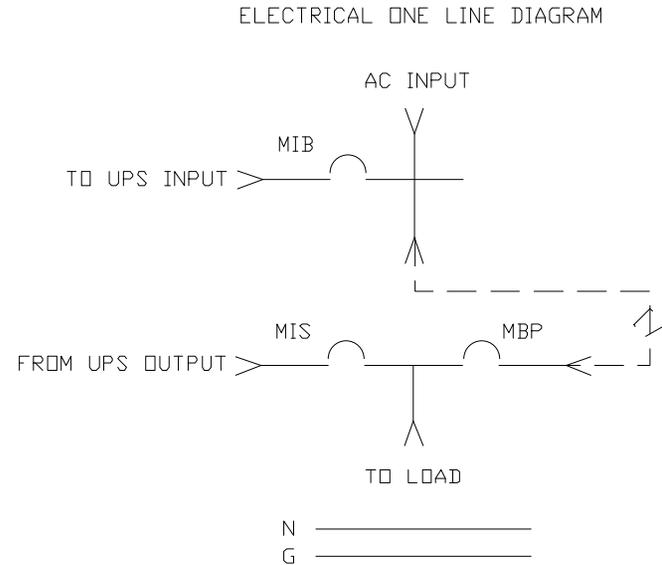
PRL 3A PANELBOARD (WALL MOUNT)
 SERVICE VOLTAGE 208Y/120V 3Ph 4W
 MAIN BUS XXXA NEUTRAL BUS XXXA DENSITY CU BUS
 --> NON SERVICE ENTRANCE
 PANELBOARD CONSTRUCTION MEETS UL-67
 NEMA-1 ENCLOSURE FINISH ANSI-61
 ESTIMATED WEIGHT 300 LBS
 AL GROUND BAR SUPPLIED AS STANDARD
 PANEL INCLUDES SURFACE MOUNT TRIM DOOR AS STANDARD
 1A/1B AUXILLARY CONTACTS ON MBP BREAKER
 FACTORY CABLED CONNECTION FROM INTERIOR LUGS TO MBP BREAKER USING (1) #1 PER PHASE.

LEGEND	
∇	- TERMINAL(S)
↘	- CABLE CONNECTED BY FACTORY

TERMINAL WIRE RANGES	
LOAD LUGS 15 kVA	#14 - 1/0
LOAD LUGS 30 kVA	#6 - 300 MCM
BREAKER TERMINALS 15 kVA	#14 - 1/0
BREAKER TERMINALS 30 kVA	#14 - 4/0
NEUTRAL	#6 - 300 MCM
GROUND	#14 - 1/0



MBP, 3 BREAKER, 30 kVA



REVISION 1

124100028-001

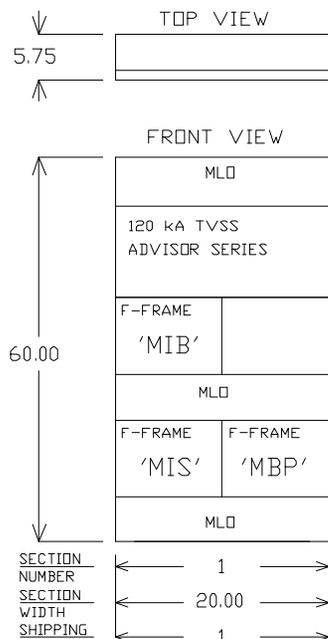
ORIGINAL BY: EJK	DATE: 01/04/07	Cutler-Hammer RALEIGH SATELLITE TITLE MAINTENANCE BYPASS PANEL EATON CORPORATION TYPE PRL 3A
APPROVED BY: EJK	DATE: 01/04/07	
CUSTOMER ID:	SHOP ORDER:	

Description: MAINT BYPASS PNL - 3 CB 30KVA			
Project:		Format: MS Word	Subclass: COMPONENT
Created By: J HARDY	Creation Date: 30-AUG-2007	Modified By: M. Carnes	Modification Date: 09-OCT-2018
Revision: 04	ECO Number: ECO-149942	Status: RELEASED	Size: AV
Object ID: 124100028		Sheet: 3 of 10	
THESE DRAWINGS AND SPECIFICATIONS ARE THE PROPERTY OF EATON CORP. AND SHALL NOT BE REPRODUCED OR COPIED OR USED AS THE BASIS FOR MANUFACTURE OR SALE OF APPARATUS WITHOUT PERMISSION.			

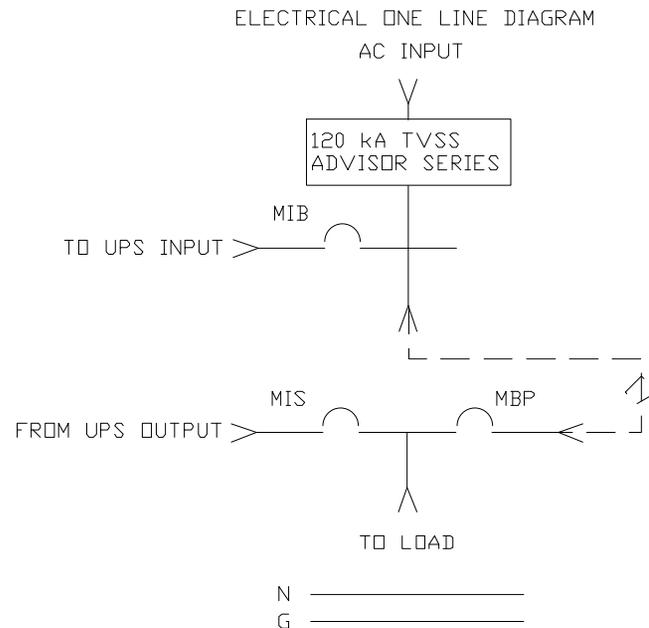
PRL 3A PANELBOARD (WALL MOUNT)
 SERVICE VOLTAGE 208Y/120V 3Ph 4W
 MAIN BUS XXXA NEUTRAL BUS XXXA DENSITY CU BUS
 --> NON SERVICE ENTRANCE
 PANELBOARD CONSTRUCTION MEETS UL-67
 NEMA-1 ENCLOSURE FINISH ANSI-61
 ESTIMATED WEIGHT 350 LBS
 AL GROUND BAR SUPPLIED AS STANDARD
 PANEL INCLUDES SURFACE MOUNT TRIM DOOR AS STANDARD
 1A/1B AUXILLARY CONTACTS ON MBP BREAKER
 FACTORY CABLED CONNECTION FROM INTERIOR LUGS TO MBP BREAKER USING (1) #1 PER PHASE.

LEGEND
 √ - TERMINAL(S)
 ↗ - CABLE CONNECTED BY FACTORY

TERMINAL WIRE RANGES	
LOAD LUGS 15 kVA	#14 - 1/0
LOAD LUGS 30 kVA	#6 - 300 MCM
BREAKER TERMINALS 15 kVA	#14 - 1/0
BREAKER TERMINALS 30 kVA	#14 - 4/0
NEUTRAL	#6 - 300 MCM
GROUND	#14 - 1/0



MBP, 3BREAKER, 30 kVA, TVSS



REVISION 1

124100028-002

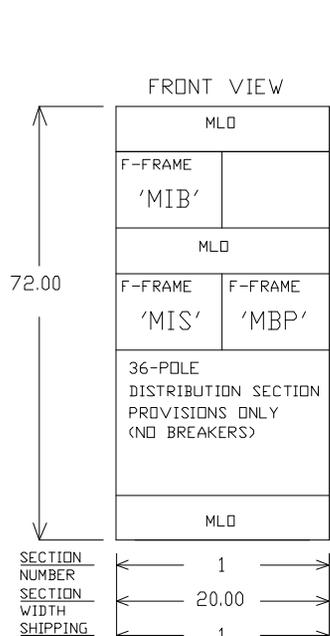
ORIGINAL BY: EJK	DATE: 01/04/07	Cutler-Hammer EATON RALEIGH SATELLITE
APPROVED BY: EJK	DATE: 01/04/07	
CUSTOMER ID:		TITLE MAINTENANCE BYPASS PANEL EATON CORPORATION
SHOP ORDER:		TYPE PRL 3A
SIZE A	FRICK NO G.D.	SHEET 1 IT. 10
REV 1		ACAD DVG NO 3-BRKR-3A-OPT1

EATON			
Description: MAINT BYPASS PNL - 3 CB 30KVA			
Project:		Format: MS Word	Subclass: COMPONENT
Created By: J HARDY	Creation Date: 30-AUG-2007	Modified By: M. Carnes	Modification Date: 09-OCT-2018
Revision: 04	ECO Number: ECO-149942	Status: RELEASED	Size: AV
Object ID: 124100028			Sheet: 4 of 10
THESE DRAWINGS AND SPECIFICATIONS ARE THE PROPERTY OF EATON CORP. AND SHALL NOT BE REPRODUCED OR COPIED OR USED AS THE BASIS FOR MANUFACTURE OR SALE OF APPARATUS WITHOUT PERMISSION.			

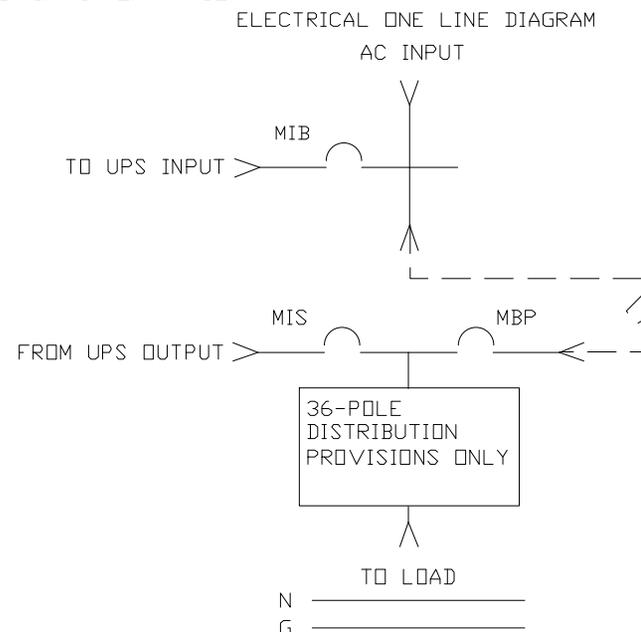
PRL 3A PANELBOARD (WALL MOUNT)
 SERVICE VOLTAGE 208Y/120V 3Ph 4W
 MAIN BUS XXXA NEUTRAL BUS XXXA DENSITY CU BUS
 --> NON SERVICE ENTRANCE
 PANELBOARD CONSTRUCTION MEETS UL-67
 NEMA-1 ENCLOSURE FINISH ANSI-61
 ESTIMATED WEIGHT 450 LBS
 AL GROUND BAR SUPPLIED AS STANDARD
 PANEL INCLUDES SURFACE MOUNT TRIM DOOR AS STANDARD
 1A/1B AUXILLARY CONTACTS ON MBP BREAKER
 FACTORY CABLED CONNECTION FROM INTERIOR LUGS TO MBP BREAKER USING (1) #1 PER PHASE.

LEGEND	
∇	- TERMINAL(S)
↘	- CABLE CONNECTED BY FACTORY

TERMINAL WIRE RANGES	
LOAD LUGS 15 kVA	#14 - 1/0
LOAD LUGS 30 kVA	#6 - 300 MCM
BREAKER TERMINALS 15 kVA	#14 - 1/0
BREAKER TERMINALS 30 kVA	#14 - 4/0
NEUTRAL	#6 - 300 MCM
GROUND	#14 - 1/0



MBP,3 BREAKER, 30 kVA & PANELBOARD, 65kA



REVISION 1	124100028-003	ORIGINAL BY: EJK	DATE: 01/04/07	Cutler-Hammer RALEIGH SATELLITE	
		APPROVED BY: EJK	DATE: 01/04/07		TITLE: MAINTENANCE BYPASS PANEL EATON CORPORATION
		CUSTOMER ID:	SHOP ORDER:	TYPE: PRL 3A	SIZE: A
				SHEET 1 REV 1	ACAD DWG NO 3-BRKR-3A-DPT2

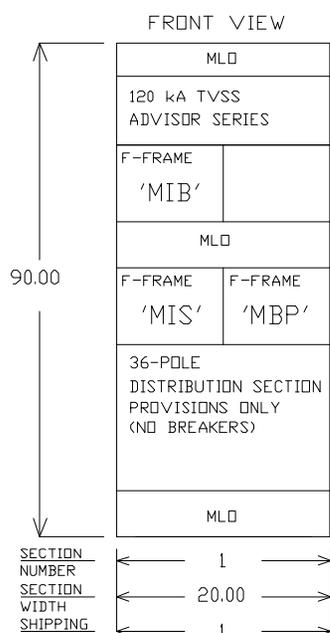
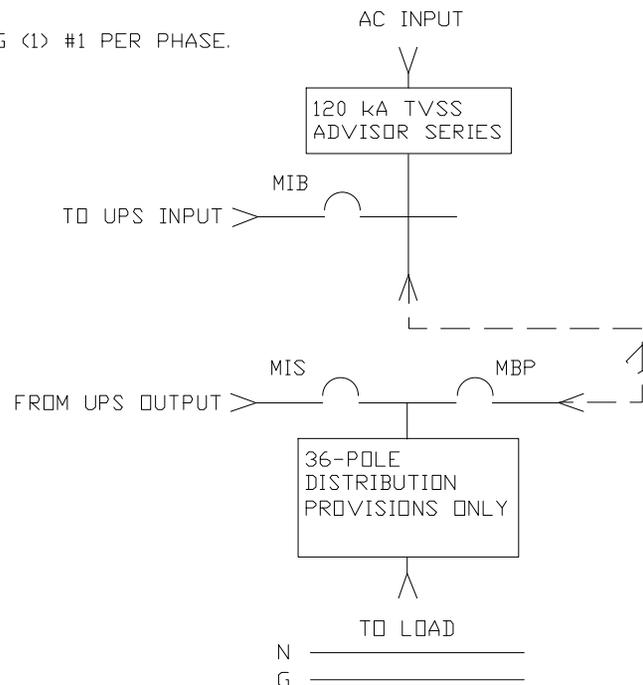
EATON			
Description: MAINT BYPASS PNL - 3 CB 30KVA			
Project:		Format: MS Word	Subclass: COMPONENT
Created By: J HARDY	Creation Date: 30-AUG-2007	Modified By: M. Carnes	Modification Date: 09-OCT-2018
Revision: 04	ECO Number: ECO-149942	Status: RELEASED	Size: AV
Object ID: 124100028			Sheet: 5 of 10
THESE DRAWINGS AND SPECIFICATIONS ARE THE PROPERTY OF EATON CORP. AND SHALL NOT BE REPRODUCED OR COPIED OR USED AS THE BASIS FOR MANUFACTURE OR SALE OF APPARATUS WITHOUT PERMISSION.			

PRL 3A PANELBOARD (WALL MOUNT)
 SERVICE VOLTAGE 208Y/120V 3Ph 4W
 MAIN BUS XXXA NEUTRAL BUS XXXA DENSITY CU BUS
 --> NON SERVICE ENTRANCE
 PANELBOARD CONSTRUCTION MEETS UL-67
 NEMA-1 ENCLOSURE FINISH ANSI-61
 ESTIMATED WEIGHT 500 LBS
 AL GROUND BAR SUPPLIED AS STANDARD
 PANEL INCLUDES SURFACE MOUNT TRIM DOOR AS STANDARD
 1A/1B AUXILLARY CONTACTS ON MBP BREAKER
 FACTORY CABLED CONNECTION FROM INTERIOR LUGS TO MBP BREAKER USING (1) #1 PER PHASE.

LEGEND	
∇	- TERMINAL(S)
↔	- CABLE CONNECTED BY FACTORY

TERMINAL WIRE RANGES	
LOAD LUGS 15 kVA	#14 - 1/0
LOAD LUGS 30 kVA	#6 - 300 MCM
BREAKER TERMINALS 15 kVA	#14 - 1/0
BREAKER TERMINALS 30 kVA	#14 - 4/0
NEUTRAL	#6 - 300 MCM
GROUND	#14 - 1/0

ELECTRICAL ONE LINE DIAGRAM



**MBP,3 BREAKER, 30kVA,
 TVSS & PANELBOARD 65kA**

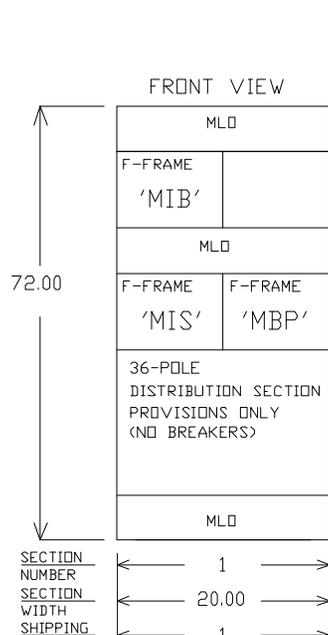
REVISION 1	124100028-004		ORIGINAL BY: EJK	DATE: 01/04/07	Cutler-Hammer RALEIGH SATELLITE	
			APPROVED BY: EJK	DATE: 01/04/07		TITLE: MAINTENANCE BYPASS PANEL EATON CORPORATION
			CUSTOMER ID:	SHOP ORDER:	SIZE: A	TYPE: PRL 3A
					SHEET 1 GD.	REV 1 IT. 10
					ACAD DWG NO 3-BRKR-3A-DPT3	

EATON			
Description: MAINT BYPASS PNL - 3 CB 30KVA			
Project:		Format: MS Word	Subclass: COMPONENT
Created By: J HARDY	Creation Date: 30-AUG-2007	Modified By: M. Carnes	Modification Date: 09-OCT-2018
Revision: 04	ECO Number: ECO-149942	Status: RELEASED	Size: AV
Object ID: 124100028		Sheet: 6 of 10	
THESE DRAWINGS AND SPECIFICATIONS ARE THE PROPERTY OF EATON CORP. AND SHALL NOT BE REPRODUCED OR COPIED OR USED AS THE BASIS FOR MANUFACTURE OR SALE OF APPARATUS WITHOUT PERMISSION.			

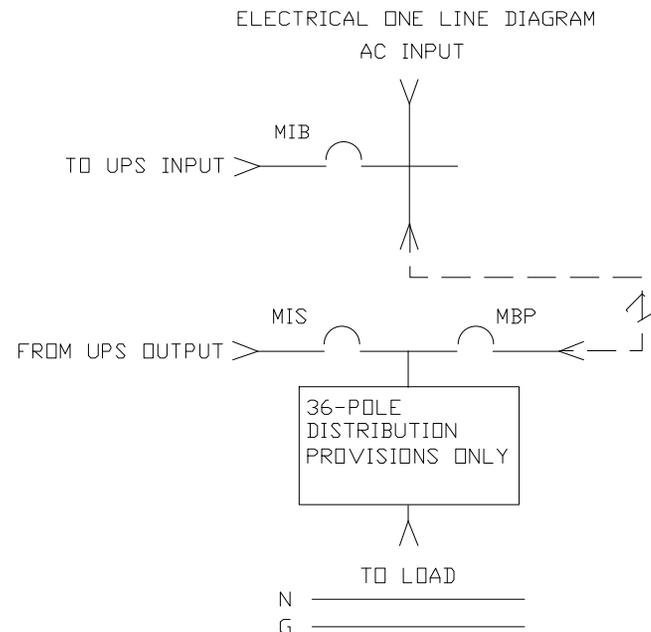
PRL 3A PANELBOARD (WALL MOUNT)
 SERVICE VOLTAGE 208Y/120V 3Ph 4W
 MAIN BUS XXXA NEUTRAL BUS XXXA DENSITY CU BUS
 --> NON SERVICE ENTRANCE
 PANELBOARD CONSTRUCTION MEETS UL-67
 NEMA-1 ENCLOSURE FINISH ANSI-61
 ESTIMATED WEIGHT 450 LBS
 ALL GROUND BAR SUPPLIED AS STANDARD
 PANEL INCLUDES SURFACE MOUNT TRIM DOOR AS STANDARD
 1A/1B AUXILLARY CONTACTS ON MBP BREAKER
 FACTORY CABLED CONNECTION FROM INTERIOR LUGS TO MBP BREAKER USING (1) #1 PER PHASE.

LEGEND	
∇	- TERMINAL(S)
↘	- CABLE CONNECTED BY FACTORY

TERMINAL WIRE RANGES	
LOAD LUGS 15 kVA	#14 - 1/0
LOAD LUGS 30 kVA	#6 - 300 MCM
BREAKER TERMINALS 15 kVA	#14 - 1/0
BREAKER TERMINALS 30 kVA	#14 - 4/0
NEUTRAL	#6 - 300 MCM
GROUND	#14 - 1/0



**MBP, 3 BREAKER, 30kVA
 PANELBOARD 22kA**



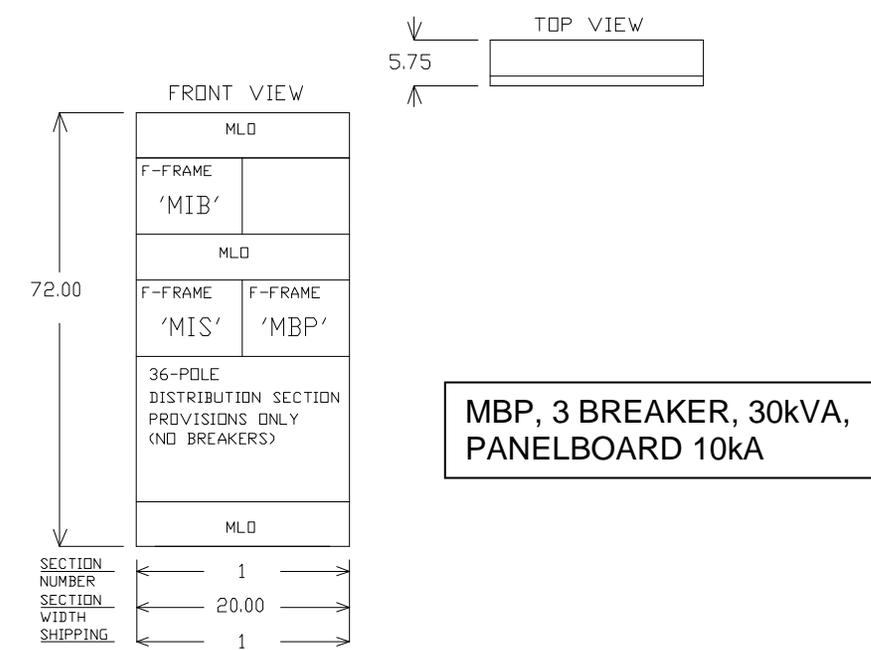
REVISION 1	124100028-006	ORIGINAL BY: EJK	DATE: 01/04/07	Cutler-Hammer RALEIGH SATELLITE		
		APPROVED BY: EJK	DATE: 01/04/07	TITLE: MAINTENANCE BYPASS PANEL EATON CORPORATION		
		CUSTOMER ID:	SHOP ORDER:	SIZE: A	FROM NO:	SHEET 1 OF 10
					REV 1	ACAD DWG NO 3-BRKR-3A-DPT2

EATON					
Description: MAINT BYPASS PNL - 3 CB 30KVA					
Project:		Format: MS Word		Subclass: COMPONENT	
Created By: J HARDY	Creation Date: 30-AUG-2007	Modified By: M. Carnes	Modification Date: 09-OCT-2018		
Revision: 04	ECO Number: ECO-149942	Status: RELEASED	Size: AV		
Object ID: 124100028		Sheet: 7 of 10			
THESE DRAWINGS AND SPECIFICATIONS ARE THE PROPERTY OF EATON CORP. AND SHALL NOT BE REPRODUCED OR COPIED OR USED AS THE BASIS FOR MANUFACTURE OR SALE OF APPARATUS WITHOUT PERMISSION.					

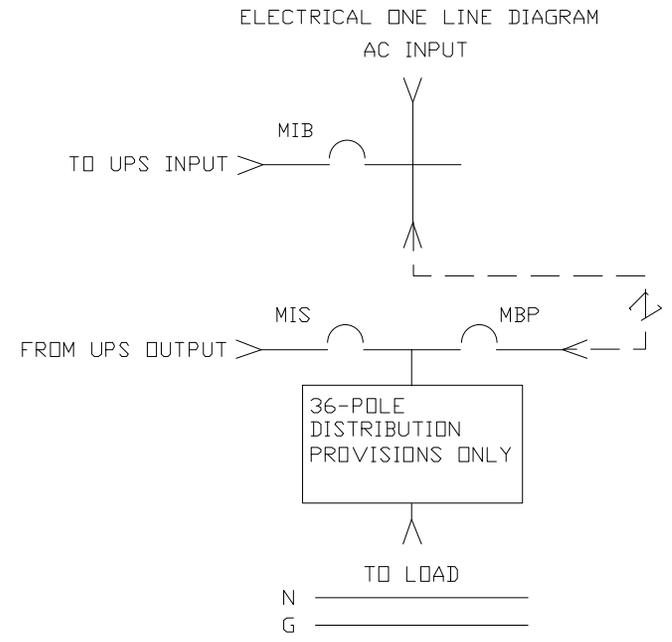
PRL 3A PANELBOARD (WALL MOUNT)
 SERVICE VOLTAGE 208Y/120V 3Ph 4W
 MAIN BUS XXXA NEUTRAL BUS XXXA DENSITY CU BUS
 --> NON SERVICE ENTRANCE
 PANELBOARD CONSTRUCTION MEETS UL-67
 NEMA-1 ENCLOSURE FINISH ANSI-61
 ESTIMATED WEIGHT 450 LBS
 AL GROUND BAR SUPPLIED AS STANDARD
 PANEL INCLUDES SURFACE MOUNT TRIM DOOR AS STANDARD
 1A/1B AUXILLARY CONTACTS ON MBP BREAKER
 FACTORY CABLED CONNECTION FROM INTERIOR LUGS TO MBP BREAKER USING (1) #1 PER PHASE.

LEGEND
 √ - TERMINAL(S)
 ↗ - CABLE CONNECTED BY FACTORY

TERMINAL WIRE RANGES	
LOAD LUGS 15 kVA	#14 - 1/0
LOAD LUGS 30 kVA	#6 - 300 MCM
BREAKER TERMINALS 15 kVA	#14 - 1/0
BREAKER TERMINALS 30 kVA	#14 - 4/0
NEUTRAL	#6 - 300 MCM
GROUND	#14 - 1/0



**MBP, 3 BREAKER, 30kVA,
 PANELBOARD 10kA**



REVISION 1	124100028-007		ORIGINAL BY: EJK	DATE: 01/04/07	Cutler-Hammer RALEIGH SATELLITE	
			APPROVED BY: EJK	DATE: 01/04/07		TITLE: MAINTENANCE BYPASS PANEL EATON CORPORATION
			CUSTOMER ID:	SHOP ORDER:	TYPE: PRL 3A	
			SIZE: A	FROM NO: 60	SHEET 1 OF 10	REV 1

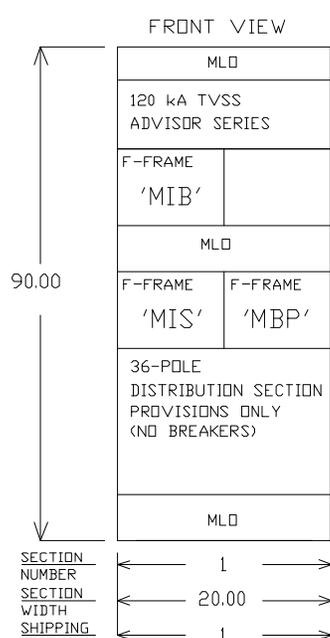
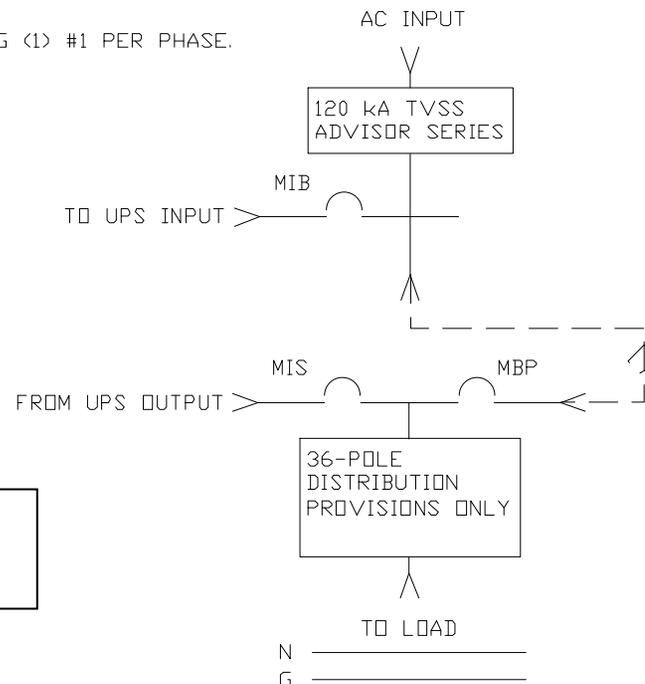
EATON			
Description: MAINT BYPASS PNL - 3 CB 30KVA			
Project:		Format: MS Word	Subclass: COMPONENT
Created By: J HARDY	Creation Date: 30-AUG-2007	Modified By: M. Carnes	Modification Date: 09-OCT-2018
Revision: 04	ECO Number: ECO-149942	Status: RELEASED	Size: AV
Object ID: 124100028		Sheet: 8 of 10	
THESE DRAWINGS AND SPECIFICATIONS ARE THE PROPERTY OF EATON CORP. AND SHALL NOT BE REPRODUCED OR COPIED OR USED AS THE BASIS FOR MANUFACTURE OR SALE OF APPARATUS WITHOUT PERMISSION.			

PRL 3A PANELBOARD (WALL MOUNT)
 SERVICE VOLTAGE 208Y/120V 3Ph 4W
 MAIN BUS XXXA NEUTRAL BUS XXXA DENSITY CU BUS
 --> NON SERVICE ENTRANCE
 PANELBOARD CONSTRUCTION MEETS UL-67
 NEMA-1 ENCLOSURE FINISH ANSI-61
 ESTIMATED WEIGHT 500 LBS
 AL GROUND BAR SUPPLIED AS STANDARD
 PANEL INCLUDES SURFACE MOUNT TRIM DOOR AS STANDARD
 1A/1B AUXILLARY CONTACTS ON MBP BREAKER
 FACTORY CABLED CONNECTION FROM INTERIOR LUGS TO MBP BREAKER USING (1) #1 PER PHASE.

LEGEND	
∇	- TERMINAL(S)
↔	- CABLE CONNECTED BY FACTORY

TERMINAL WIRE RANGES	
LOAD LUGS 15 kVA	#14 - 1/0
LOAD LUGS 30 kVA	#6 - 300 MCM
BREAKER TERMINALS 15 kVA	#14 - 1/0
BREAKER TERMINALS 30 kVA	#14 - 4/0
NEUTRAL	#6 - 300 MCM
GROUND	#14 - 1/0

ELECTRICAL ONE LINE DIAGRAM



MBP, 3 BREAKER, 30kVA, TVSS & PANELBOARD 22 KA

REVISION 1	124100028-008		ORIGINAL BY: EJK	DATE: 01/04/07	Cutler-Hammer RALEIGH SATELLITE	
			APPROVED BY: EJK	DATE: 01/04/07		TITLE: MAINTENANCE BYPASS PANEL EATON CORPORATION
			CUSTOMER ID:	SHOP ORDER:	SIZE: A	TYPE: PRL 3A
					SHEET 1	REV 1
				IT. 10	ACAD DWG NO. 3-BRKR-3A-DPT3	

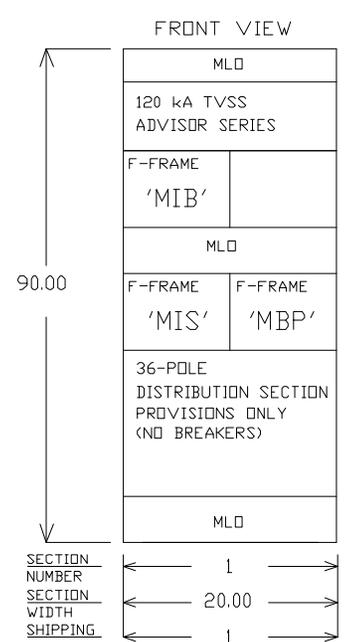
EATON					
Description: MAINT BYPASS PNL - 3 CB 30KVA					
Project:			Format: MS Word	Subclass: COMPONENT	
Created By: J HARDY	Creation Date: 30-AUG-2007	Modified By: M. Carnes	Modification Date: 09-OCT-2018		
Revision: 04	ECO Number: ECO-149942	Status: RELEASED	Size: AV		
Object ID: 124100028					Sheet: 9 of 10
THESE DRAWINGS AND SPECIFICATIONS ARE THE PROPERTY OF EATON CORP. AND SHALL NOT BE REPRODUCED OR COPIED OR USED AS THE BASIS FOR MANUFACTURE OR SALE OF APPARATUS WITHOUT PERMISSION.					

PRL 3A PANELBOARD (WALL MOUNT)
 SERVICE VOLTAGE 208Y/120V 3Ph 4W
 MAIN BUS XXXA NEUTRAL BUS XXXA DENSITY CU BUS
 --> NON SERVICE ENTRANCE
 PANELBOARD CONSTRUCTION MEETS UL-67
 NEMA-1 ENCLOSURE FINISH ANSI-61
 ESTIMATED WEIGHT 500 LBS
 ALL GROUND BAR SUPPLIED AS STANDARD
 PANEL INCLUDES SURFACE MOUNT TRIM DOOR AS STANDARD
 1A/1B AUXILLARY CONTACTS ON MBP BREAKER
 FACTORY CABLED CONNECTION FROM INTERIOR LUGS TO MBP BREAKER USING (1) #1 PER PHASE.

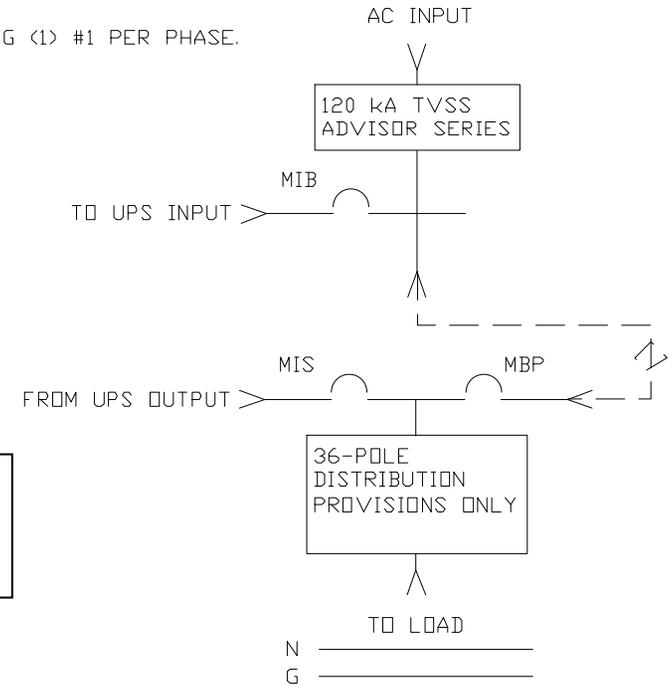
LEGEND	
∇	- TERMINAL(S)
↔	- CABLE CONNECTED BY FACTORY

TERMINAL WIRE RANGES	
LOAD LUGS 15 kVA	#14 - 1/0
LOAD LUGS 30 kVA	#6 - 300 MCM
BREAKER TERMINALS 15 kVA	#14 - 1/0
BREAKER TERMINALS 30 kVA	#14 - 4/0
NEUTRAL	#6 - 300 MCM
GROUND	#14 - 1/0

ELECTRICAL ONE LINE DIAGRAM



**MBP,3 BREAKER,
 30kVA,TVSS &
 PANELBOARD 10 kA**



REVISION 1	124100027-009		ORIGINAL BY: EJK	DATE: 01/04/07	Cutler-Hammer RALEIGH SATELLITE		
			APPROVED BY: EJK	DATE: 01/04/07			TITLE: MAINTENANCE BYPASS PANEL EATON CORPORATION
			CUSTOMER ID:	SHOP ORDER:	SIZE: A	FRM NO:	SHEET 1
					GO:	REV 1	ACAD DWG NO. 3-BRKR-3A-DPT3



Description: MAINT BYPASS PNL - 3 CB 30KVA			
Project:		Format: MS Word	Subclass: COMPONENT
Created By: J HARDY	Creation Date: 30-AUG-2007	Modified By: M. Carnes	Modification Date: 09-OCT-2018
Revision: 04	ECO Number: ECO-149942	Status: RELEASED	Size: AV
Object ID: 124100028		Sheet: 10 of 10	

THESE DRAWINGS AND SPECIFICATIONS ARE THE PROPERTY OF EATON CORP. AND SHALL NOT BE REPRODUCED OR COPIED OR USED AS THE BASIS FOR MANUFACTURE OR SALE OF APPARATUS WITHOUT PERMISSION.