

4

3

2

1

D

D

C

C

B

B

A

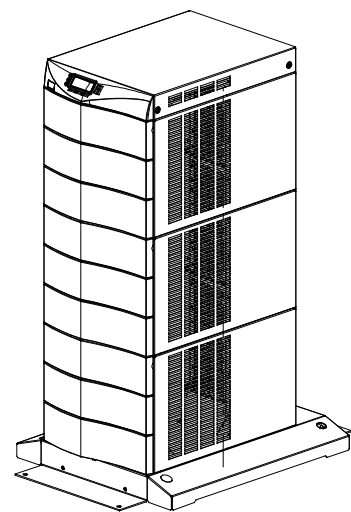
A

4

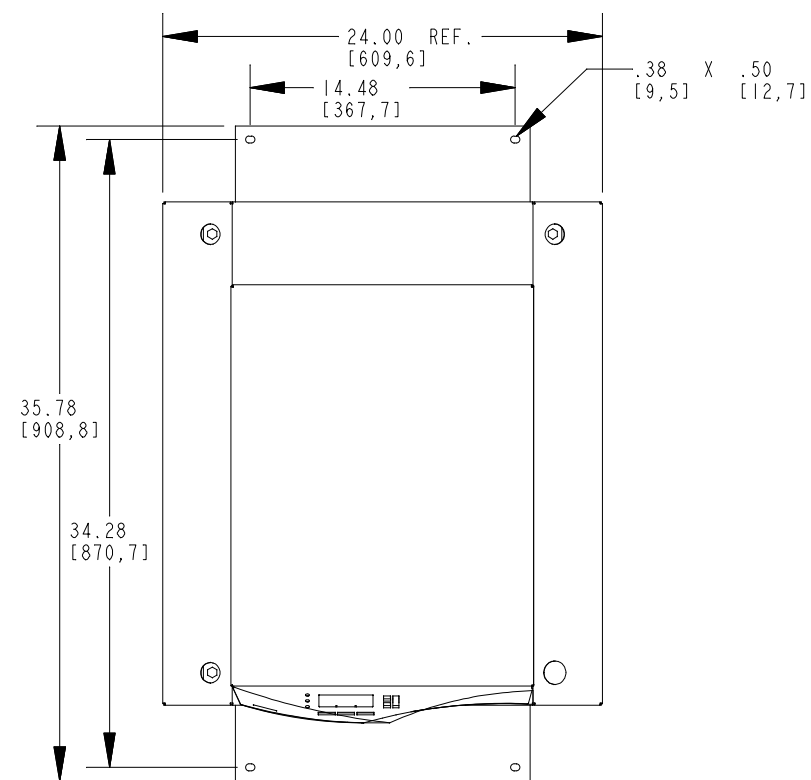
3

2

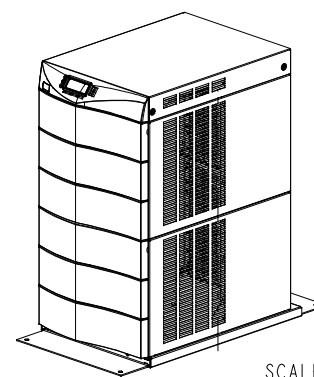
1



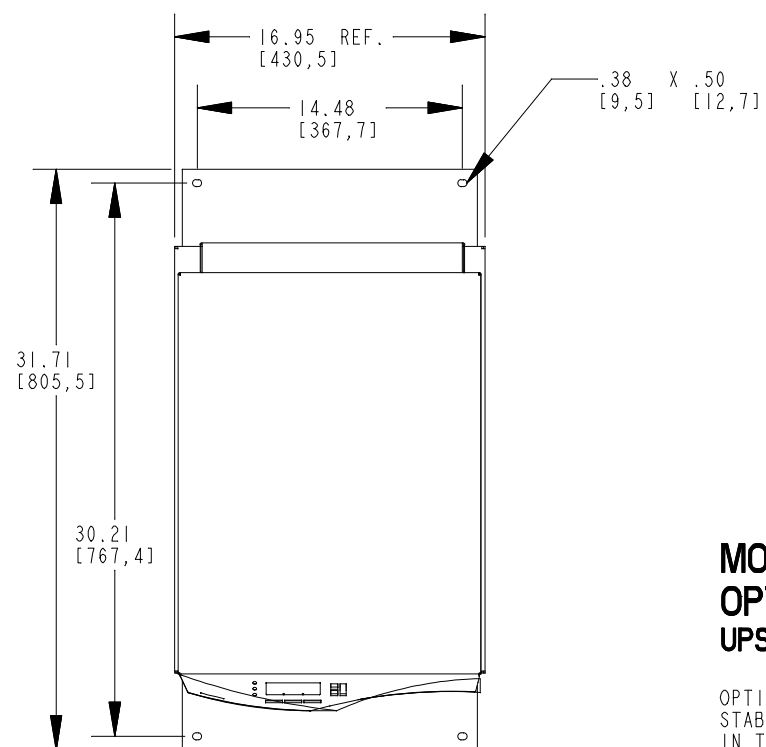
SCALE 0.100



**MOUNTING PATTERN FOR NINE AND TWELVE SLOT CHASSIS**



SCALE 0.100



**MOUNTING PATTERN FOR THREE AND SIX SLOT CHASSIS**  
MAY NOT BE USED WITH OPTIONAL CASTER KIT

**MOUNTING PATTERN FOR OPTIONAL FLOOR ANCHOR KIT UPS CHASSIS OR BATTERY CABINET**

OPTIONAL FLOOR ANCHOR KIT HELPS STABILIZE THE UPS OR BATTERY CABINET IN THE EVENT OF ACCIDENTAL BUMPS OR SMALL FLOOR MOVEMENTS. ANY TESTING TO SPECIFIC SEISMIC REQUIREMENTS IS THE RESPONSIBILITY OF THE CUSTOMER.

THIRD ANGLE PROJECTION

**POWERWARE**

RALEIGH NC 27616 U.S.A.

DESCRIPTION: OUTLINE DRAWING AND CENTER OF GRAVITY PW9170+ SYST		PRO-ENGINEER GENERATED		SUBCLASS: OUTLINE	PRO VERSION: 3
GROUP/PROJECT: PW 9170	CREATED BY: HUTSELL_N	DATE: 25-jul-2002	UNLESS OTHERWISE SPECIFIED TOLERANCES ON DIMENSIONS ARE: DECIMALS: 0.X ±0.1 0.XX ±0.03 0.XXX ±0.010 HOLE Ø ±0.005 FRACTIONS ±1/64" ANGLES ±1/2° DIMENSIONS ARE IN INCHES [MILLIMETERS] AND AFTER PLATING		SCALE: 0.050 DO NOT SCALE DRAWING OR CHANGE MANUALLY
MODIFIED BY: HUTSELL_N	DATE: 31-jul-2002	CHECKED BY: WINEGAR_N	DATE: 01-aug-2002	REVISION: B00	RN/CN/SPRN No: 9170-0159
APPROVED BY: WINEGAR_N	DATE: 01-aug-2002	OBJECT ID: 9506	STATUS: RELEASED		SIZE: B
THESE DRAWINGS AND SPECIFICATIONS ARE THE PROPERTY OF POWERWARE CORP. AND SHALL NOT BE REPRODUCED OR COPIED OR USED AS THE BASIS FOR MANUFACTURE OR SALE OF APPARATUS WITHOUT PERMISSION					

THESE DRAWINGS AND SPECIFICATIONS ARE THE PROPERTY OF POWERWARE CORP. AND SHALL NOT BE REPRODUCED OR COPIED OR USED AS THE BASIS FOR MANUFACTURE OR SALE OF APPARATUS WITHOUT PERMISSION