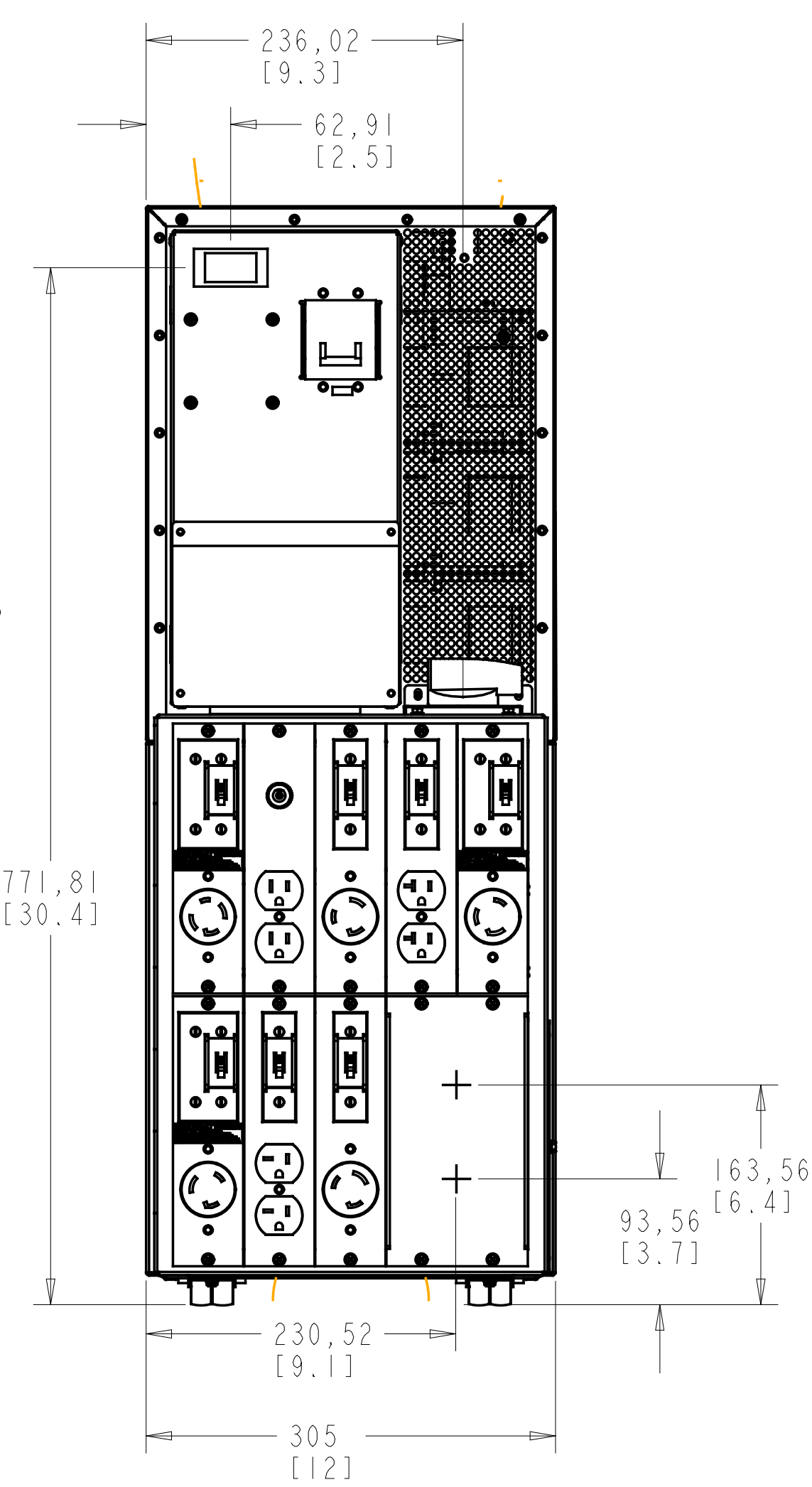
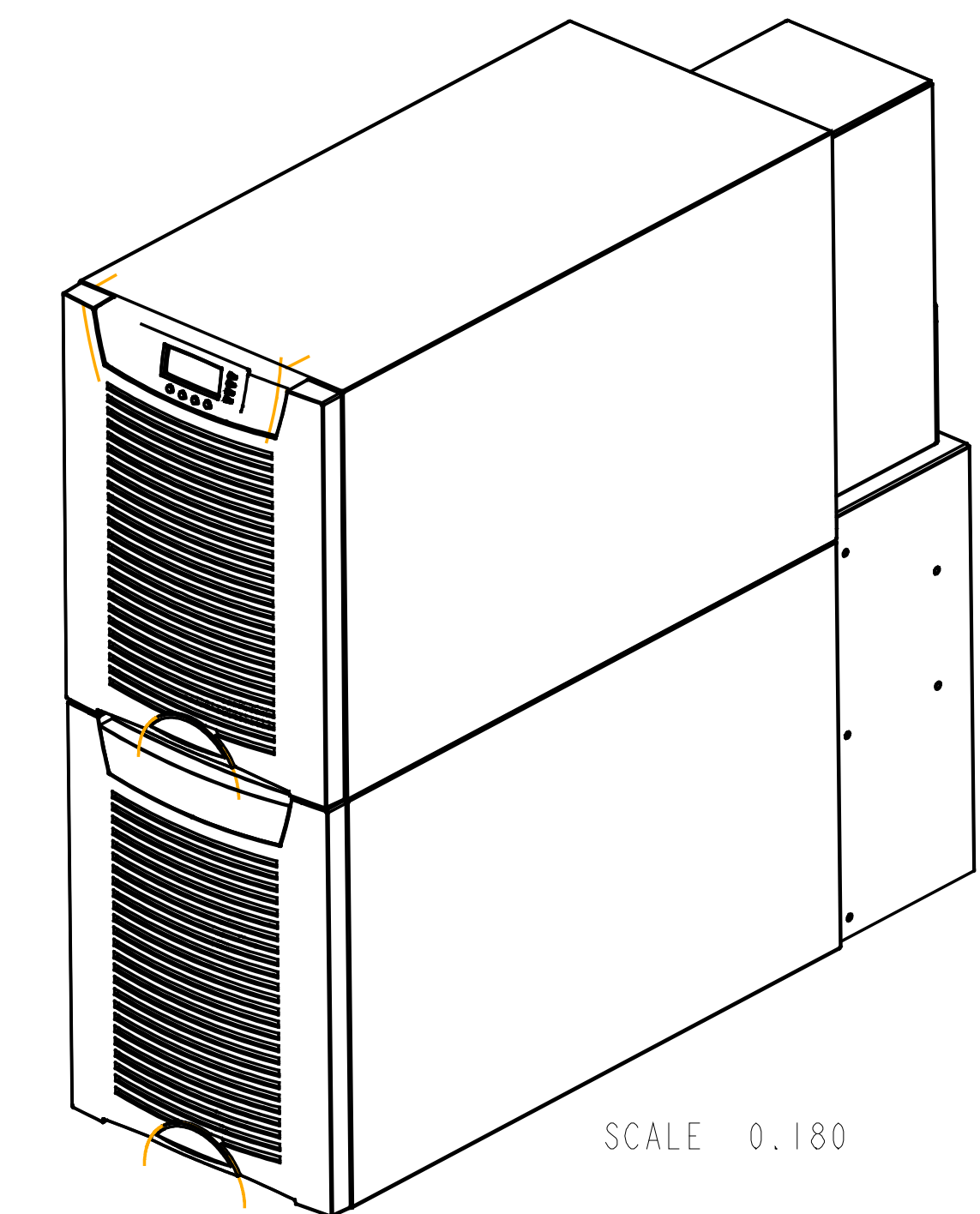
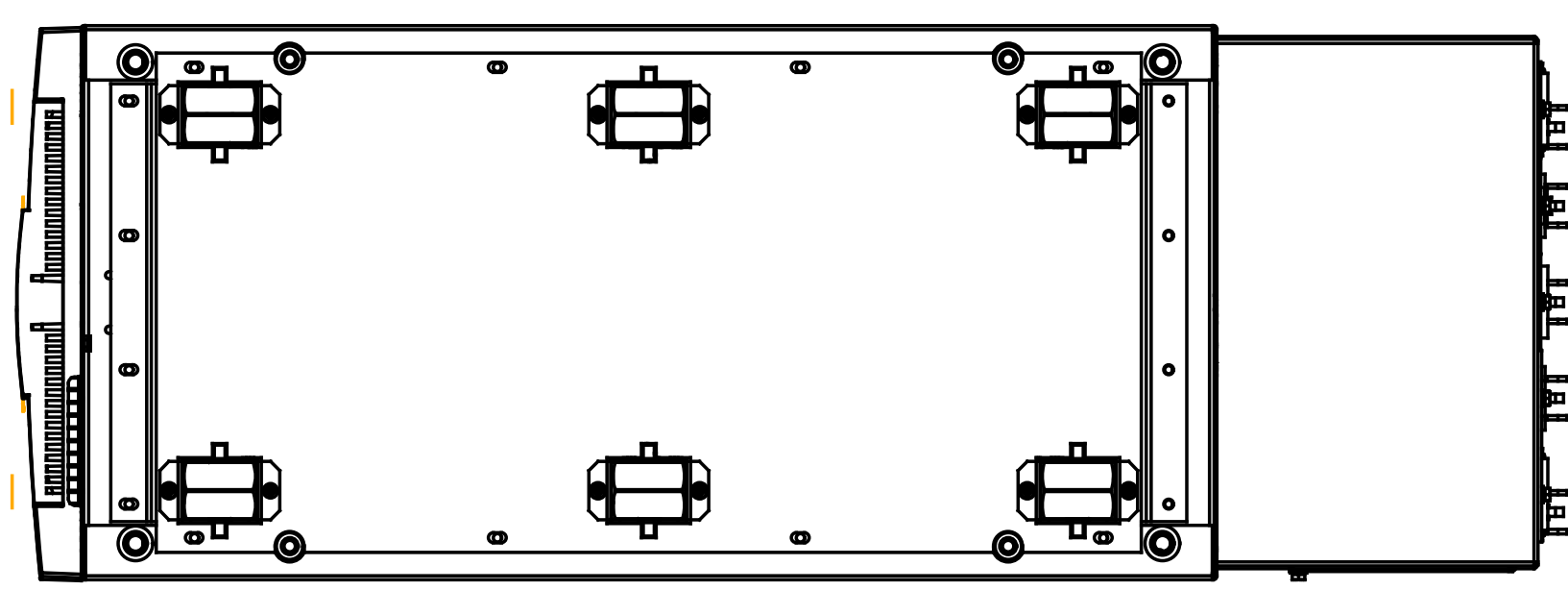


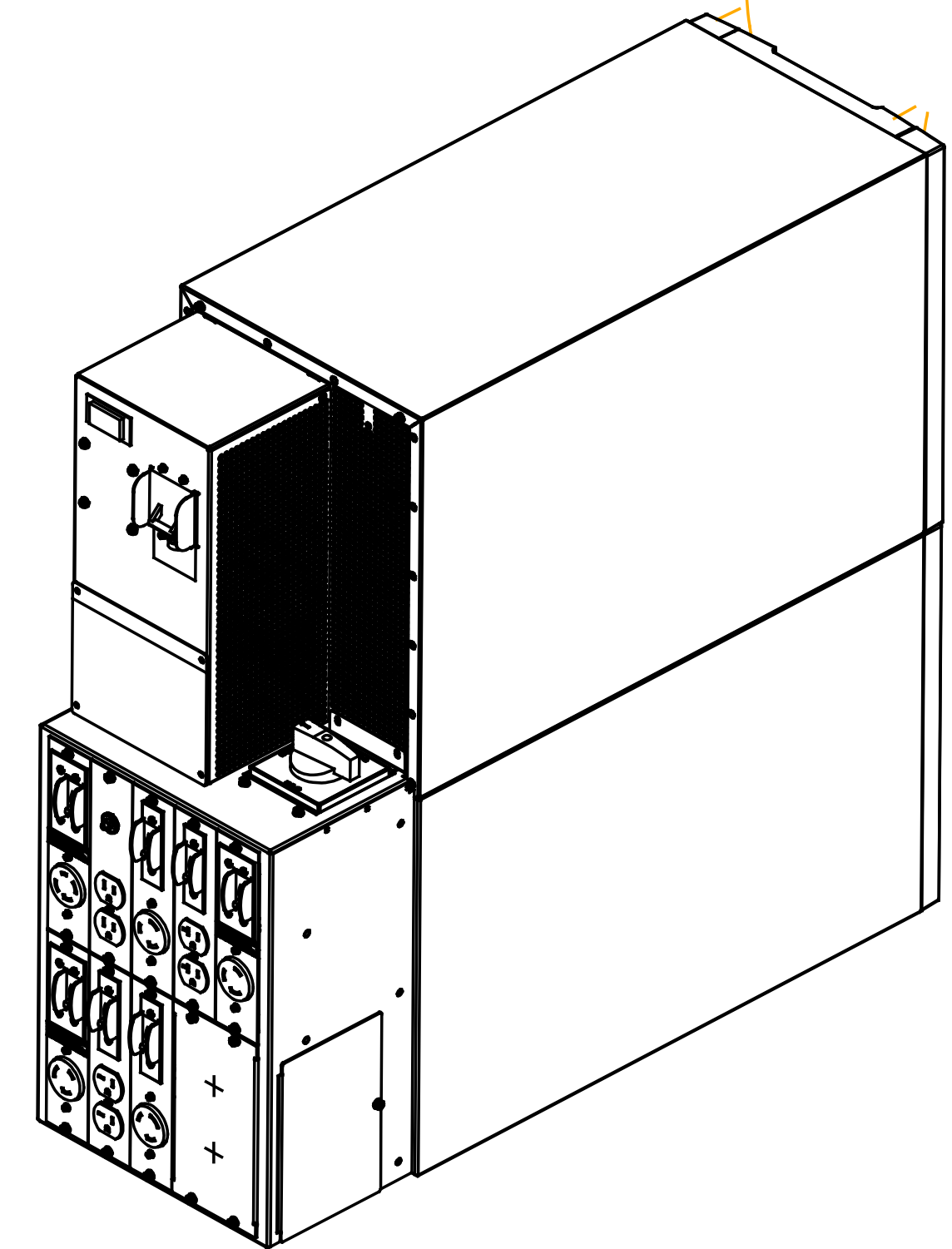
SCALE 0.250



NOTES (UNLESS OTHERWISE SPECIFIED):  
 1) DIMENSIONS ARE IN MM [INCHES].



SCALE 0.180



SCALE 0.180

METRIC		THIRD ANGLE PROJECTION		POWERWARE		RALEIGH NC 27616 U.S.A.	
DESCRIPTION: ONELINE, 9155, 2 H UPS W/PDM							
GROUP/PROJECT: KENG@		PRO-ENGINEER GENERATED		SUBCLASS:		PRO VERSION: 350	
CREATED BY: RYAN_S	DATE: 2/28/2005	UNLESS OTHERWISE SPECIFIED TOLERANCES ON DIMENSIONS ARE:				SCALE: 0.500	
MODIFIED BY: RYAN_S	DATE: 2/28/2005	ANGLES: ±1/2° DECIMALS: 0.X 0.25 X < 3=±1				DO NOT SCALE	
CHECKED BY: MARSHALL_R	DATE: 2/28/2005	HOLE Ø: ±0.13 0.X 0.25 X > 3=±.5				DRAWING OR CHANGE MANUALLY	
APPROVED BY: RYAN_S	DATE: 2/28/2005	REVISION: P00	REVISED BY: P00	OBJECT ID: 110100205-008	STATUS: RELEASED	SHEET: 1 of 1	
THESE DRAWINGS AND SPECIFICATIONS ARE THE PROPERTY OF POWERWARE CORP., AND SHALL NOT BE REPRODUCED OR COPIED OR USED AS THE BASIS FOR MANUFACTURE OR SALE OF APPARATUS WITHOUT PERMISSION							