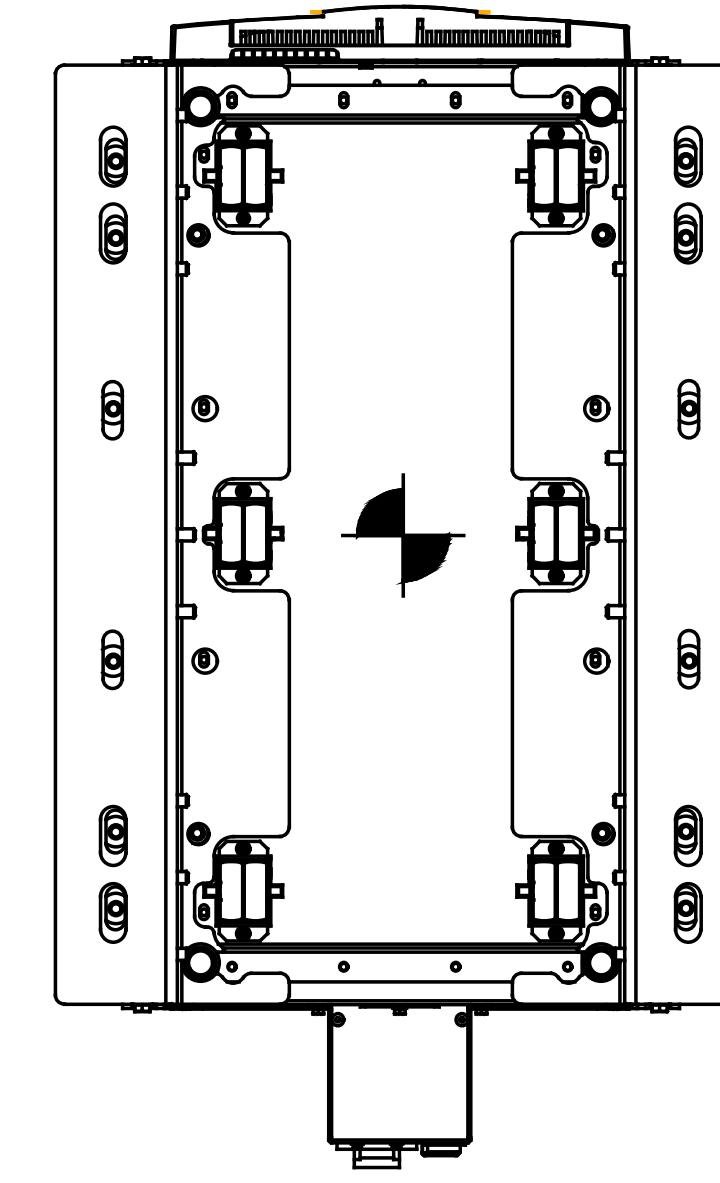
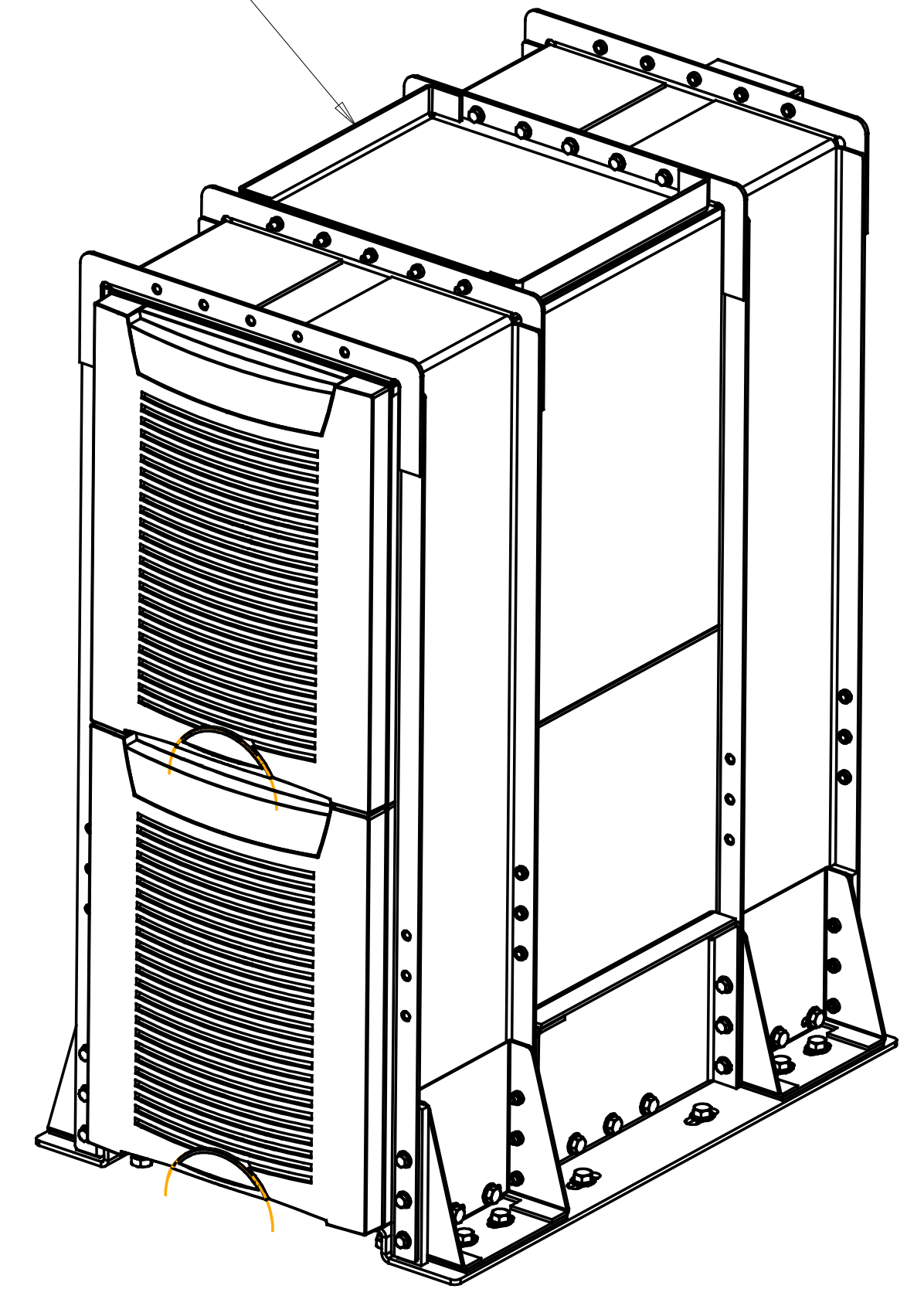


2 SHOWN WITH OPTIONAL SEISMIC KIT INSTALLED



SCALE 0.200



SCALE 0.200

NOTES (UNLESS OTHERWISE SPECIFIED):

- 1) DIMENSIONS ARE IN MM [INCHES].
- 2 SHOWN WITH OPTIONAL SEISMIC KIT (PURCHASED SEPARATELY)
- 3 DENOTES SYSTEM DIMENSION WITHOUT SEISMIC KIT INSTALLED.

METRIC		THIRD ANGLE PROJECTION	POWERWARE		RALEIGH NC 27616 U.S.A.
DESCRIPTION: ONLINE, 9155, 2 HIGH EBM W/SEISMIC					
GROUP/PROJECT: KENG@		PRO-ENGINEER GENERATED		SUBCLASS:	REV. VERSION: 350
CREATED BY: RYAN_S	DATE: 2/28/2005	UNLESS OTHERWISE SPECIFIED TOLERANCES ON DIMENSIONS ARE:			SCALE: 0.200
MODIFIED BY: RYAN_S	DATE: 2/28/2005	ANGLES: ±1/2° DECIMALS: 0.1, 0.25 X < 3 ±1			DO NOT SCALE
CHECKED BY: MARSHALL_R	DATE: 2/28/2005	HOLE Ø: ±0.13 0.XX 0.25 X > 3 ±2.5			DRAWING OR CHANGE MANUALLY
APPROVED BY: RYAN_S	DATE: 2/28/2005	REVISION: P00	REVISED/SPR No.:	STATUS: RELEASED	SIZE: D
OBJECT ID: 110100205-011		SHEET: 1 of 1		THESE DRAWINGS AND SPECIFICATIONS ARE THE PROPERTY OF POWERWARE CORP. AND SHALL NOT BE REPRODUCED OR COPIED OR USED AS THE BASIS FOR MANUFACTURE OR SALE OF APPARATUS WITHOUT PERMISSION	