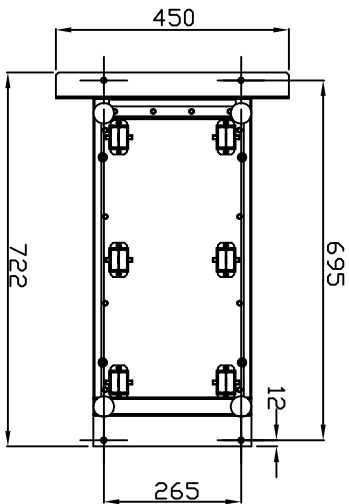
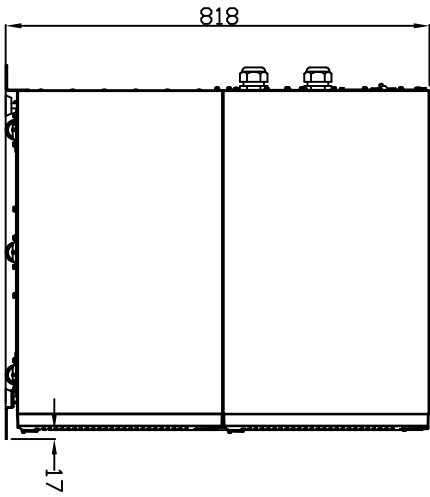
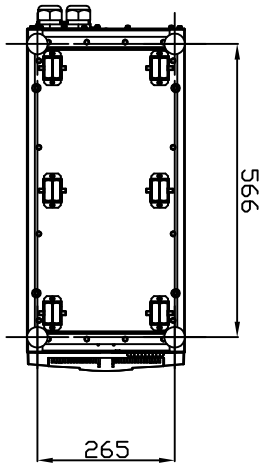
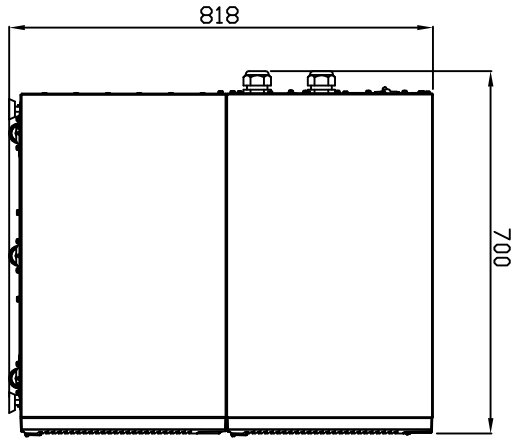
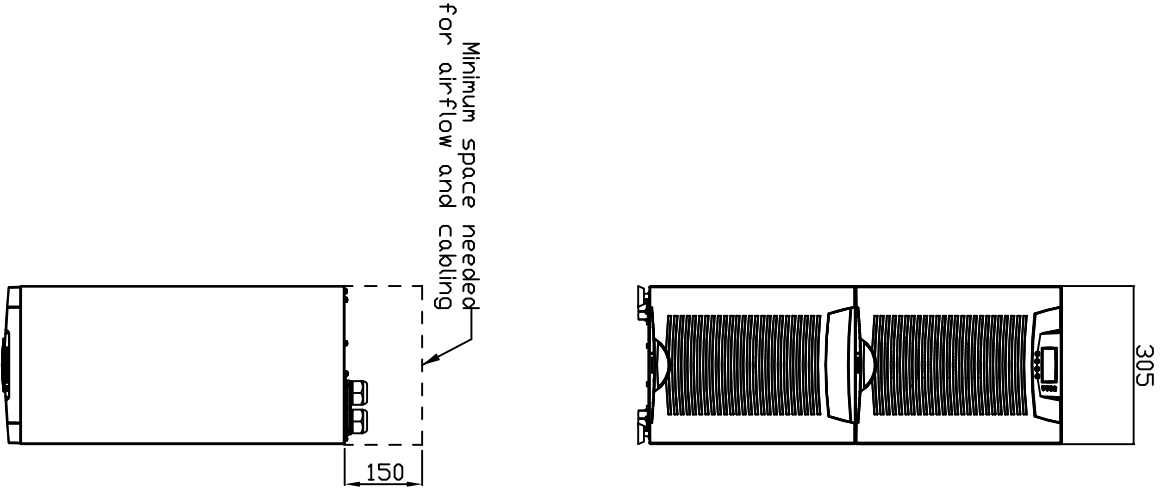


Rev/ECD no:	REV
REV	REV
REV	REV

THIS DRAWING CONTAINS PROPRIETARY INFORMATION OF POWERWARE AND MAY NOT, IN WHOLE OR IN PART, BE REPLICATED OR DISCLOSED OR USED FOR MANUFACTURE OF ANY PART DISCLOSED HEREIN WITHOUT THE PRIOR WRITTEN PERMISSION OF POWERWARE.

Rev/ECD no:	REV
REV	REV
REV	REV



POWERWARE		Title Bottom drawing	
10-15 KVA		Powerware 9X55	
Checked -	Approved -	Lec FIN	No -
Size A3			Page 1/1
			Rev 1

1 1 2 1 3 1 4 1 5 1 6 1 7 1 8 1 9 1 10 1 11 1 12

H G F E D C B A