

Eaton® Internal Battery Instructions

For use with the Eaton 9155 (8/15 kVA) UPS,
Eaton 9355 (10/15 kVA) UPS
or Eaton Extended Battery Module (EBM)



p/n: 164201628
Revision C0

**IMPORTANT**

To ensure you have the most up-to-date content and information for this product, please review the latest manual revision on our website, www.eaton.com/9155 or www.eaton.com/9355.

Eaton reserves the right to change specifications without prior notice. Modbus is a registered trademark of Schneider Automation, Inc. MOXA is a registered trademark and MGate is a trademark of MOXA, Inc. Spiralock is a registered trademark of Spiralock Corporation. KIRK is a registered trademark of Kirk Key Interlock company, LLC, a subsidiary of Halma plc. National Electrical Code and NEC are registered trademarks of National Fire Protection Association, Inc. ERIFLEX and FLEXIBAR are registered trademark of Erico International Corporation. All other trademarks are property of their respective companies.

©Copyright 2006-2019 Eaton, Raleigh, NC, USA. All rights reserved. No part of this document may be reproduced in any way without the express written approval of Eaton.

Table of Contents

Safety Warnings and Symbols, Controls, and Indicators	1
Safety Warnings.....	1
Consignes de Sécurité.....	2
Advertencias de Seguridad.....	3
Symbols, Controls, and Indicators.....	4
Installation	5
Battery Type.....	5
Installing the Internal Batteries.....	5

Table of Contents

Safety Warnings and Symbols, Controls, and Indicators

Safety Warnings

IMPORTANT SAFETY INSTRUCTIONS SAVE THESE INSTRUCTIONS

This manual contains important instructions that you should follow during installation and maintenance of the UPS and batteries. Please read all instructions before operating the equipment and save this manual for future reference.

 **DANGER**

This UPS contains LETHAL VOLTAGES. All repairs and service should be performed by AUTHORIZED SERVICE PERSONNEL ONLY. There are NO USER SERVICEABLE PARTS inside the UPS.

 **WARNING**

The UPS is intended to be operated only with batteries installed. When batteries are not installed a tip hazard exists that could result in bodily injury.

 **CAUTION**

- Servicing should be performed by qualified service personnel knowledgeable of batteries and required precautions. Keep unauthorized personnel away from batteries.
 - Batteries can present a risk of electrical shock or burn from high short circuit current. The following precautions should be observed: 1) Remove watches, rings, or other metal objects; 2) Use tools with insulated handles; 3) Do not lay tools or metal parts on top of batteries; 4) Disconnect charging source prior to connecting or disconnecting battery terminals; 5) Wear voltage rated gloves and electrical hazard footwear.
 - When replacing batteries, replace with the same type and number of batteries or battery packs. Contact your service representative to order new batteries.
 - Proper disposal of batteries is required. Refer to your local codes for disposal requirements.
 - Never dispose of batteries in a fire. Batteries may explode when exposed to flame.
 - Do not open or mutilate the battery or batteries. Released electrolyte is harmful to the skin and eyes and may be extremely toxic.
 - Determine if the battery is inadvertently grounded. If inadvertently grounded, remove source of ground. Contact with any part of a grounded battery can result in electrical shock. The likelihood of such shock will be reduced if such grounds are removed during installation and maintenance (applicable to equipment and remote battery supplies not having a grounded supply circuit).
 - ELECTRIC ENERGY HAZARD. Do not attempt to alter any battery wiring or connectors. Attempting to alter wiring can cause injury.
-

Consignes de Sécurité

CONSIGNES DE SÉCURITÉ IMPORTANTES – CONSERVER CES INSTRUCTIONS

Ce manuel comporte des instructions importantes que vous êtes invité à suivre lors de toute procédure d'installation et de maintenance des batteries et de l'ASI. Veuillez consulter entièrement ces instructions avant de faire fonctionner l'équipement et conserver ce manuel afin de pouvoir vous y reporter ultérieurement.

 **DANGER!**

Cet onduleur contient des TENSIONS MORTELLES. Toute opération d'entretien et de réparation doit être EXCLUSIVEMENT CONFIEE A UN PERSONNEL QUALIFIE AGRÉÉ. AUCUNE PIÈCE RÉPARABLE PAR L'UTILISATEUR ne se trouve dans l'onduleur.

 **AVERTISSEMENT!**

L'ASI est conçue pour fonctionner seulement avec les batteries installées. Lorsque les batteries ne sont pas installées, il existe un risque de chute pouvant engendrer des dommages corporels.

 **ATTENTION!**

- L'entretien doit être réalisé par du personnel qualifié connaissant bien les batteries et les précautions nécessaires. N'autorisez aucun personnel non qualifié à manipuler les batteries.
 - Les batteries peuvent présenter un risque de choc électrique ou de brûlure provenant d'un courant de court-circuit haute intensité. Les précautions suivantes doivent être observées : 1) Retirez montre, bagues ou autres objets métalliques ; 2) Utilisez des outils aux poignées isolantes ; 3) Ne déposez pas d'outils ou de pièces métalliques sur les batteries ; 4) Déconnectez la source de chargement avant de connecter ou de déconnecter les bornes de batterie.
 - Remplacez uniquement les batteries par des batteries ou blocs de batteries présentant les mêmes type et numéro.
 - Une mise au rebut réglementaire des batteries est obligatoire. Consulter les règlements en vigueur dans votre localité.
 - Ne jamais jeter les batteries au feu. L'exposition aux flammes risque de les faire exploser.
 - Vous ne devez en aucun cas ni ouvrir ni détruire la ou les batteries. L'électrolyte qui s'en échappe est nuisible à la peau et aux yeux et peut s'avérer extrêmement toxique.
 - Déterminez si la batterie est mise à la terre par inadvertance. Si celle-ci est mise à la terre par inadvertance, retirez la source de terre. Tout contact avec une partie d'une batterie mise à la terre peut engendrer un choc électrique. La probabilité d'un tel choc sera réduite si de telles masses sont retirées durant l'installation et la maintenance.
-

Advertencias de Seguridad

INSTRUCCIONES DE SEGURIDAD IMPORTANTES – GUARDE ESTAS INSTRUCCIONES

Este manual contiene instrucciones importantes que debe seguir durante la instalación y el mantenimiento del SIE y de las baterías. Por favor, lea todas las instrucciones antes de poner en funcionamiento el equipo y guarde este manual para referencia en el futuro.

PELIGRO

Este SIE contiene VOLTAJES MORTALES. Todas las reparaciones y el servicio técnico deben ser efectuados SOLAMENTE POR PERSONAL DE SERVICIO TÉCNICO AUTORIZADO. No hay NINGUNA PARTE QUE EL USUARIO PUEDA REPARAR dentro del SIE.

ADVERTENCIA

El SIE está diseñada para hacerla funcionar solamente con las baterías instaladas. Cuando no están instaladas las baterías, existe un riesgo de inclinación que podría derivar en lesiones corporales.

PRECAUCIÓN

- Personal calificado de servicio que conozca de baterías y esté al tanto de las precauciones requeridas debe darle servicio al equipo. Mantenga al personal no autorizado alejado de las baterías.
 - Las baterías pueden constituir un riesgo de descarga eléctrica o quemaduras por corriente alta de corto circuito. Debe tomar las siguientes precauciones: 1) Quítese el reloj, los anillos u otros objetos de metal; 2) Utilice herramientas con manijas aisladas; 3) No coloque las herramientas o piezas de metal en la parte superior de las baterías; 4) Desconecte la fuente de carga antes de conectar o desconectar las terminales de las baterías.
 - Cuando se reemplacen las baterías, cámbielas con el mismo tipo y número de baterías o paquetes de baterías.
 - Es necesario desechar las baterías de un modo adecuado. Consulte las normas locales para conocer los requisitos pertinentes.
 - Nunca deseche las baterías en el fuego. Las baterías pueden explotar si se las expone a la llama.
 - No abra ni corte las baterías. El electrolito liberado es peligroso para la piel y los ojos, y puede ser extremadamente tóxico.
 - Determine si la batería está accidentalmente conectada a tierra. Si está conectada accidentalmente a tierra, retire la fuente de conexión a tierra. El contacto con cualquier parte de la batería conectada a tierra puede derivar en descarga eléctrica. La probabilidad de una descarga de este tipo se reducirá si se eliminan dichas conexiones a tierra durante la instalación y el mantenimiento.
-

Symbols, Controls, and Indicators

The following are examples of symbols used on the UPS or accessories to alert you to important information:



RISK OF ELECTRIC SHOCK - Observe the warning associated with the risk of electric shock symbol.



CAUTION: REFER TO OPERATOR'S MANUAL - Refer to your operator's manual for additional information, such as important operating and maintenance instructions.



This symbol indicates that you should not discard the UPS or the UPS batteries in the trash. This product contains sealed, lead-acid batteries and must be disposed of properly. For more information, contact your local recycling/reuse or hazardous waste center.



This symbol indicates that you should not discard waste electrical or electronic equipment (WEEE) in the trash. For proper disposal, contact your local recycling/reuse or hazardous waste center.

Installation

Battery Type

When purchasing UPS cabinets or extended battery modules without batteries, only the following types are recommended. Use of any other battery type inside Eaton cabinets will void the product warranty.



When replacing batteries, use the same manufacturer and part number originally supplied with the cabinet to ensure correct harness fit and terminal landing.

Table 1. Battery Manufactures, Types and Quantity

Battery Manufacturer	Eaton	CSB® Battery Co., Ltd.	EnerSys®, Inc.	GS Yuasa® Corporation (Japan Storage)
Battery Type	PWHR12120W3FR or PWHR1234W2FR	HRL1234WFR	NP7-12 and NP7-12FR or NPX-35 and NPX-35FR	PX12090 and PE12V7.2
Battery Quantity	16 per string	16 per string	16 per string	16 per string

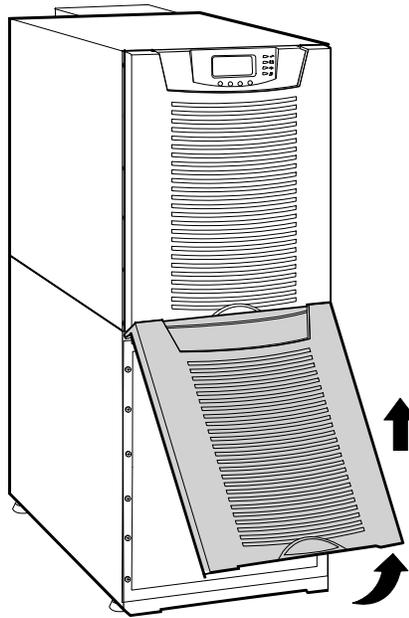
Installing the Internal Batteries

To install the internal batteries:

1. Remove the UPS front covers that have the  symbol. For Extended Battery Modules (EBMs), remove all of the front covers.

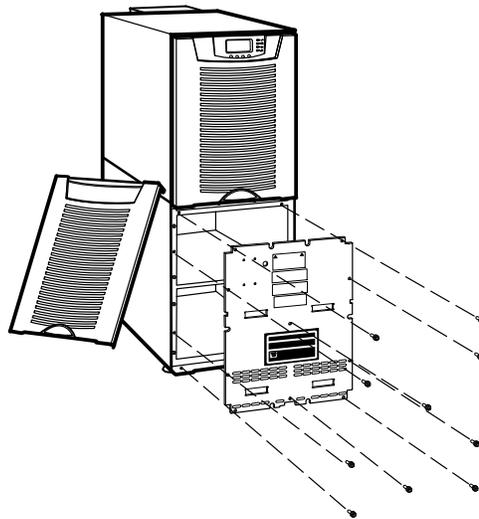
Press and release the handle latch at the bottom of each cover and then lift the cover up and off the cabinet (see [Figure 1](#)).

Figure 1. Removing the Front Cover



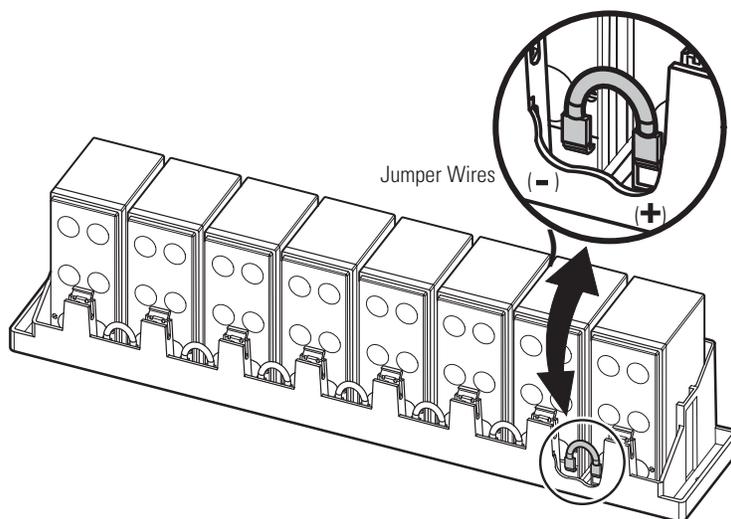
2. Remove the 10 M4 screws from the battery cover panel and remove the panel on each battery cabinet (see [Figure 2](#)).

Figure 2. Removing the Battery Cover Panel



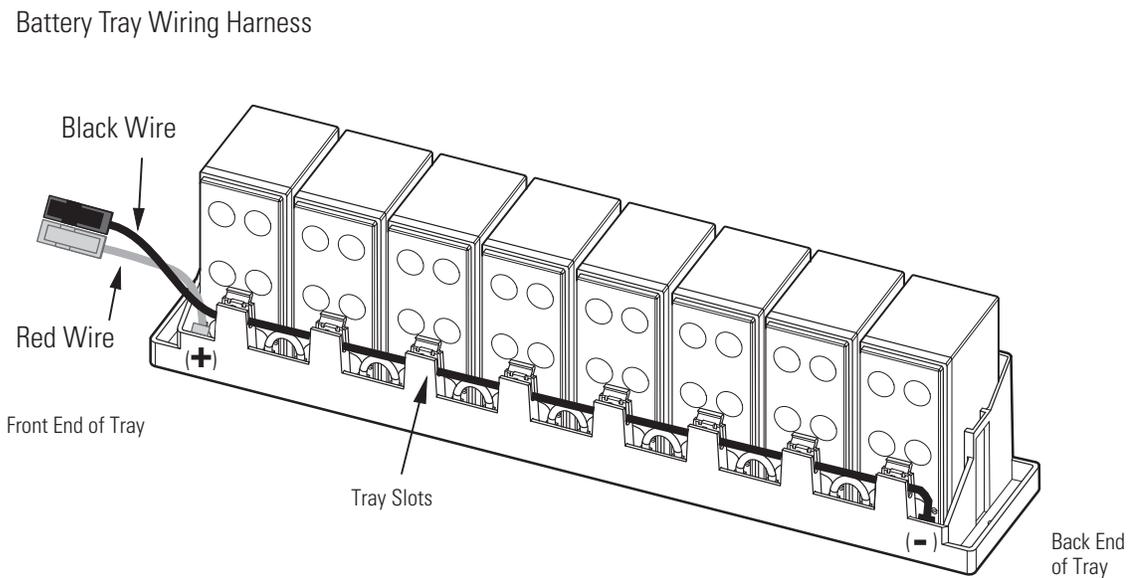
3. Remove the battery trays and the bag containing the jumper wires and battery tray wiring harnesses.
4. Insert the batteries into the battery trays.
5. Connect seven jumper wires between the batteries in each tray (see [Figure 3](#)).

Figure 3. Connecting the Battery Jumper Wires



6. Connect the negative end (black wire) of the battery tray wiring harness to the negative terminal at the back end of the battery tray. Route the excess wire in the tray slots to the front of the tray (see [Figure 4](#)).

Figure 4. Connecting the Battery Tray Wiring Harness

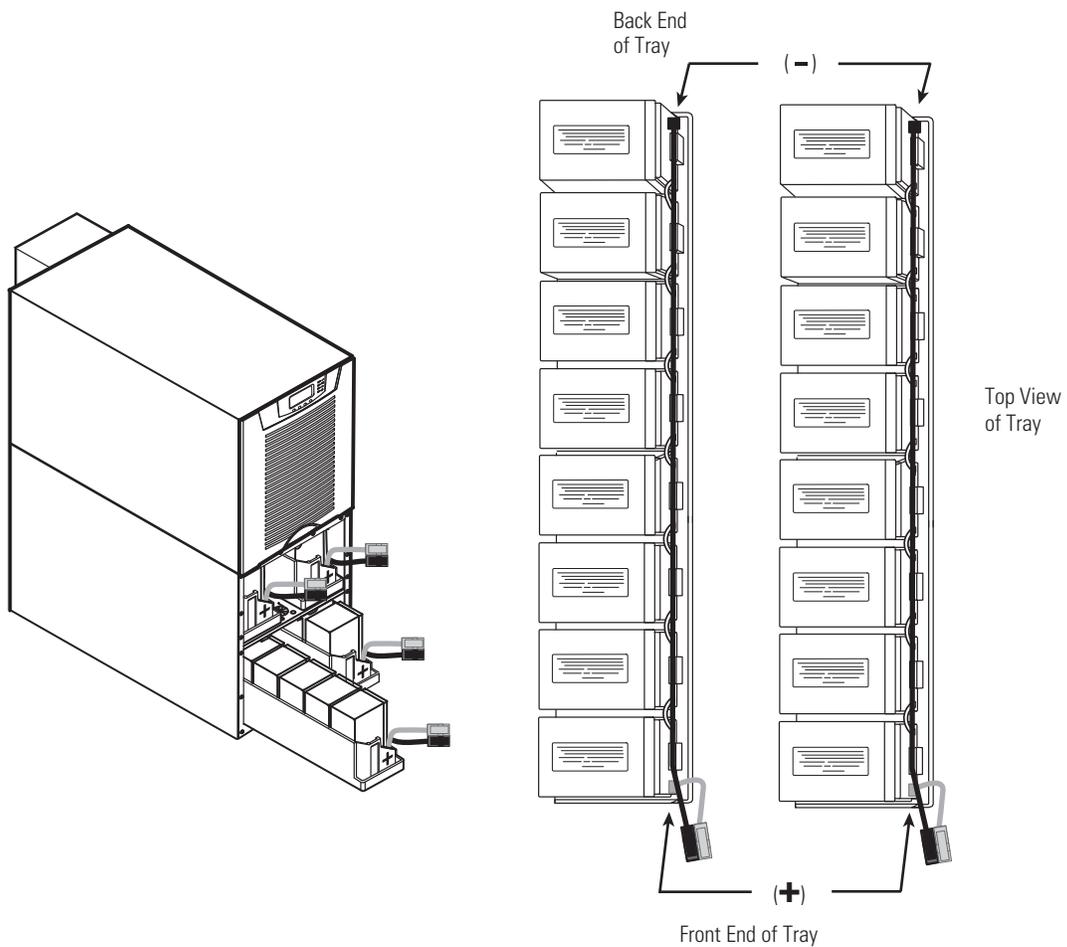


7. Connect the positive end (red wire) of the battery tray wiring harness to the positive terminal at the front of the battery tray.
8. Repeat Step 4 through Step 7 for each battery tray.
9. Load the each battery tray into the UPS, beginning with the top cabinet, as described below (see [Figure 5](#)):
All trays are installed with the positive marker toward the front.

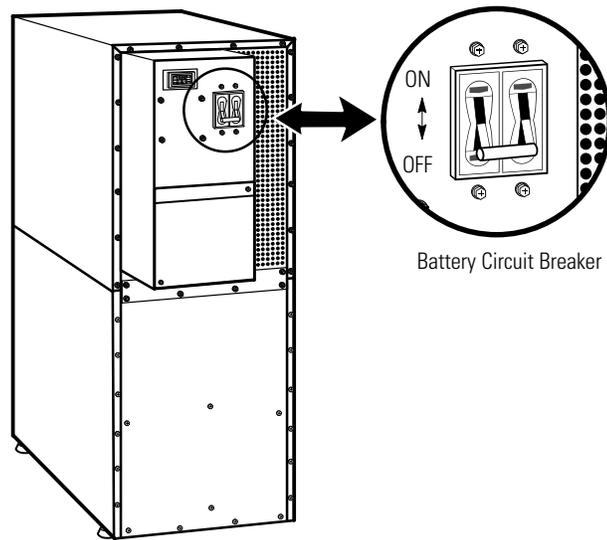
 **WARNING**

Circuit contains two strings of 16 batteries in parallel. Verify correct polarity prior to making connections.

Figure 5. Sliding the Battery Trays into the Cabinet



10. Verify that the UPS battery circuit breaker is in the OFF position (see [Figure 6](#)).

Figure 6. UPS Rear View (Eaton 9155 UPS Shown)

11. Connect the cabinet wiring harness to the battery tray wiring harnesses, red connector to red connector, black connector to black connector (see [Figure 7](#) and [Figure 8](#)).

Figure 7. Internal Battery Tray Wiring Connections

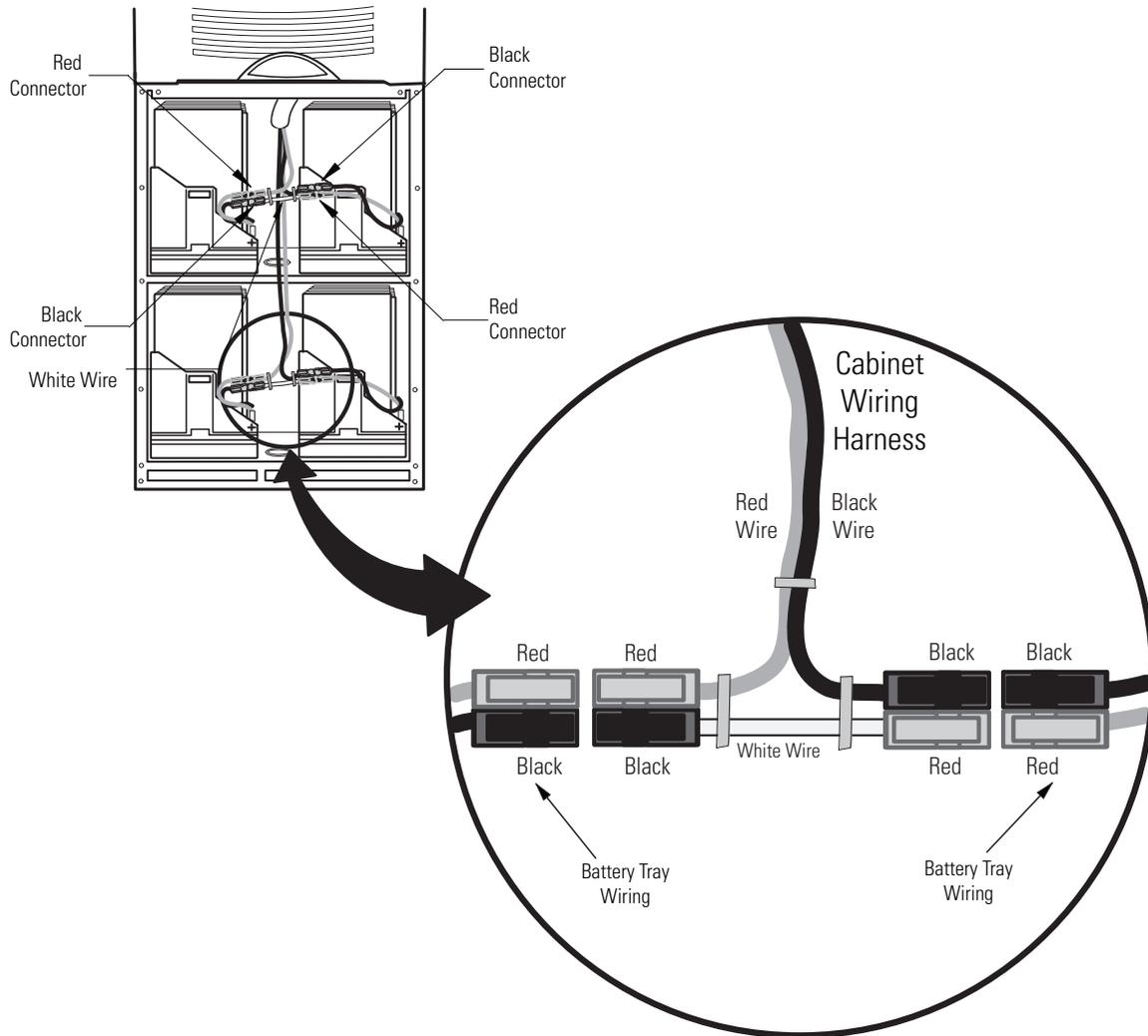
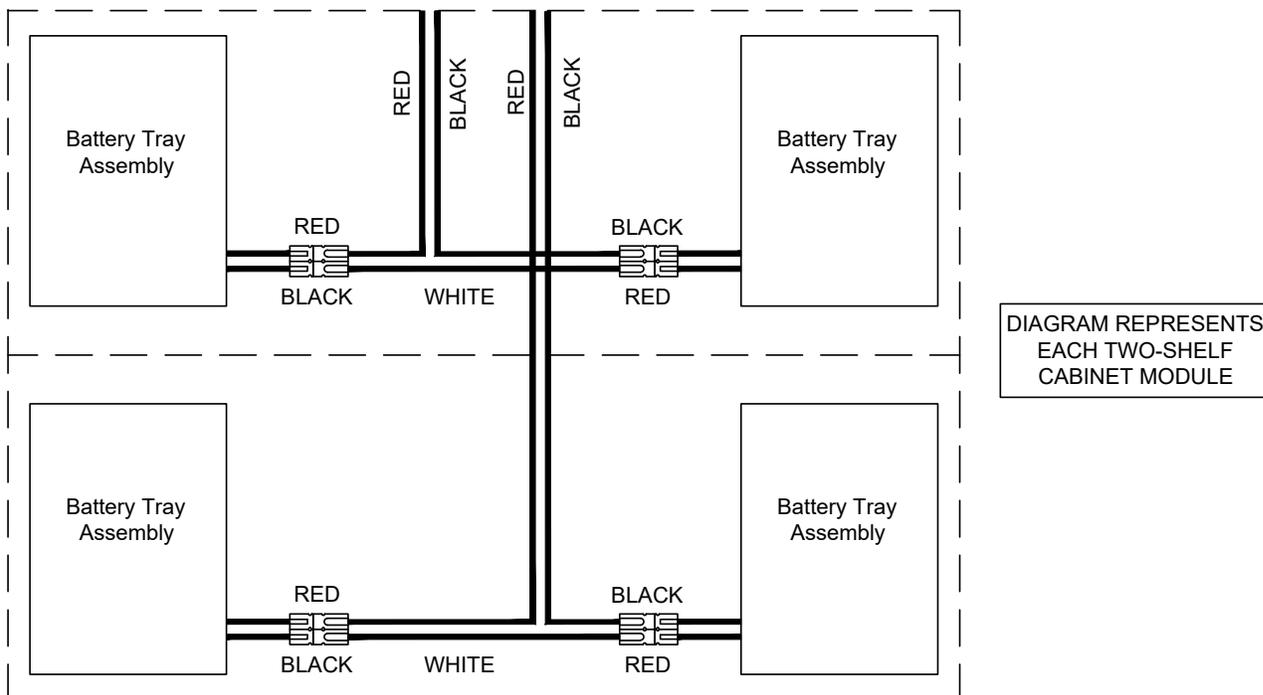


Figure 8. Internal Battery Tray Wiring Diagram



12. Repeat these steps to connect each battery tray to the cabinet wiring harness.
13. Reinstall the battery cover panel(s).
14. Replace the front cover(s).



164201628 C0