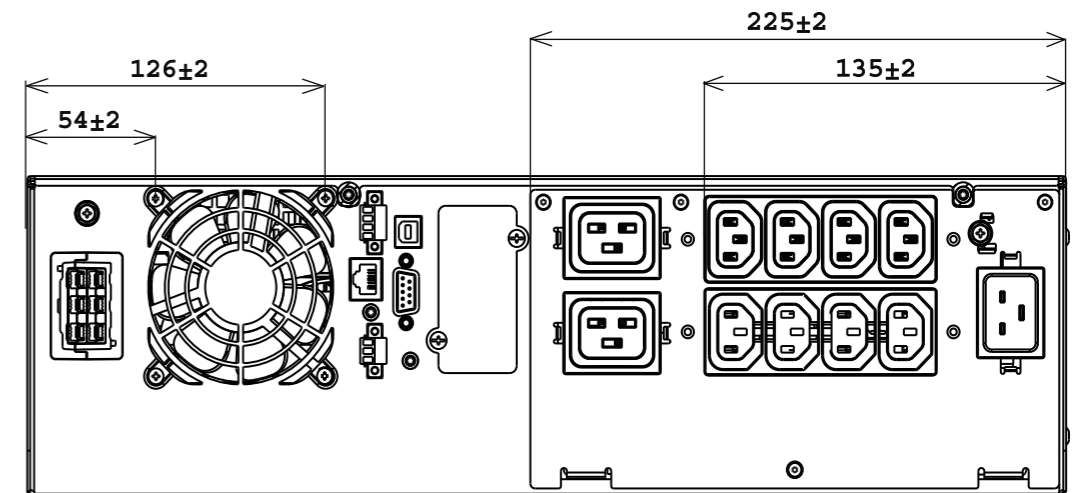
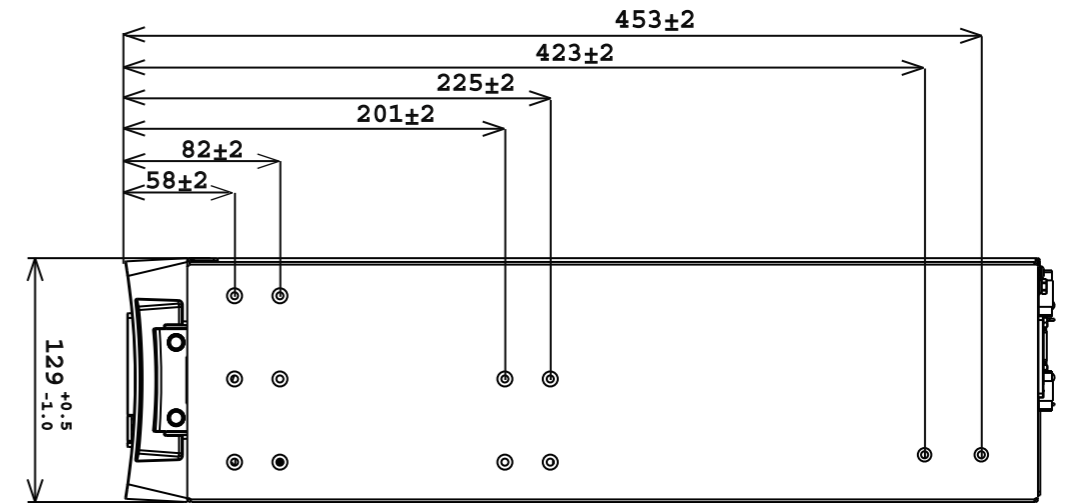
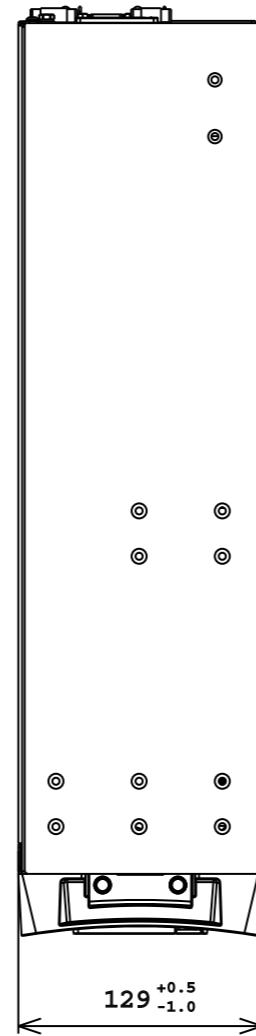
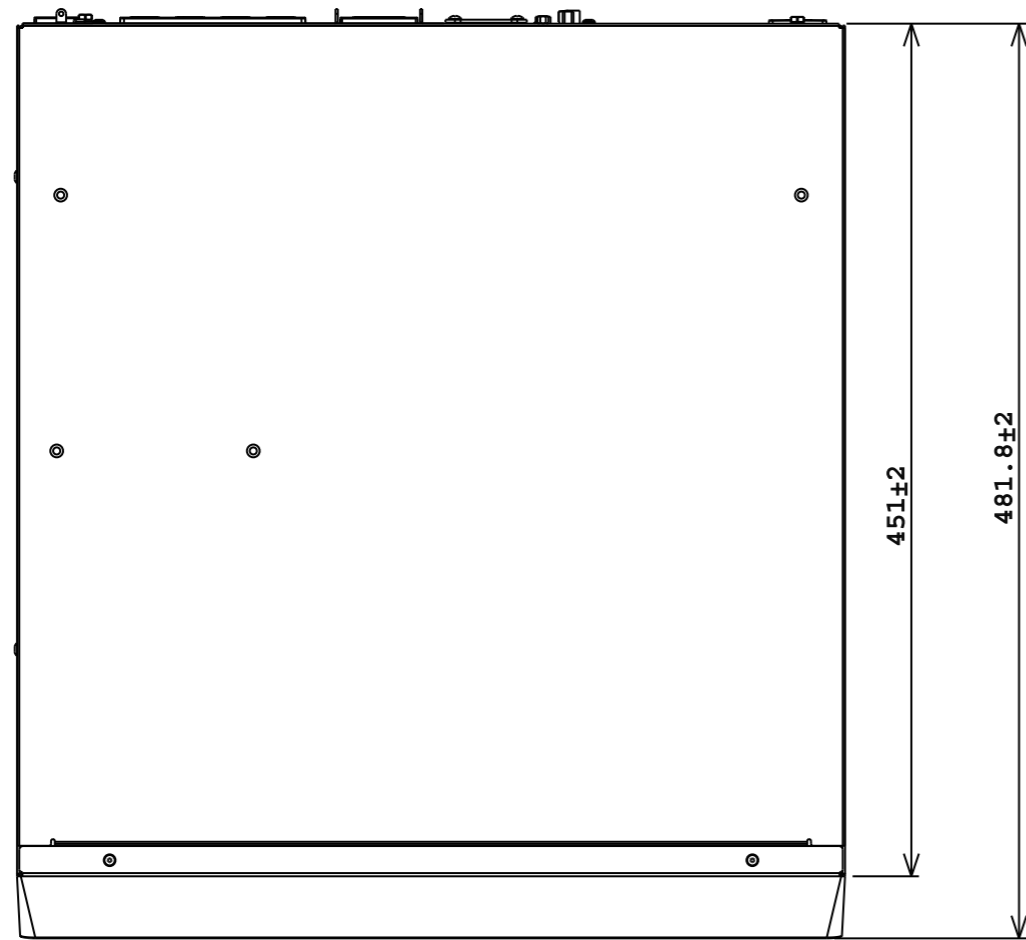
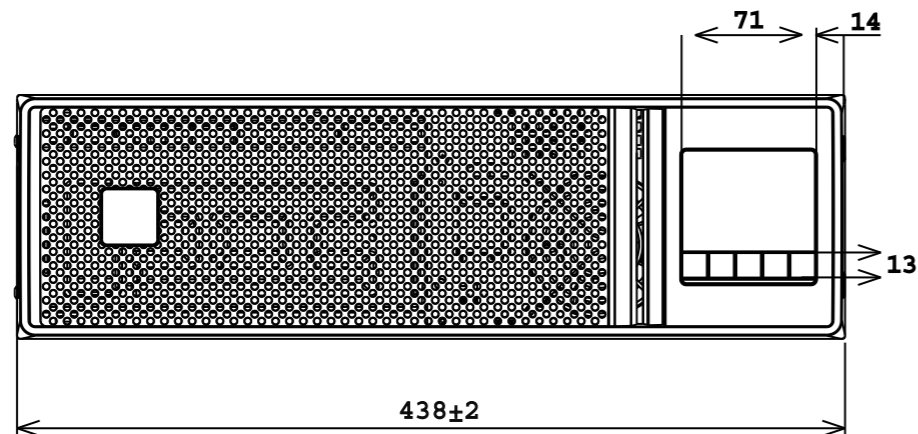


Notes:
THIS DRAWING APPLIES 5PX G2 HV 2.2-3K 3U MODELS:

MGF ID	Catalog Nb	Short Descripton
9210-73037	5PX2200IRT3UG2	Eaton 5PX 2200i RT3U G2
9210-83121	5PX3000IRT3UG2	Eaton 5PX 3000i RT3U G2
9210-73041	5PX2200iRT3UAU	Eaton 5PX 2200i RT3U AU G2
9210-83125	5PX3000iRT3UAU	Eaton 5PX 3000i RT3U AU G2



Rear Panel View



		EATON CORPORATION, ELECTRICAL Eaton SIZE:	
DESCRIPTION: 5PX G2 3000 HV 3U			
MODIFIED BY: BG	DATE: 12/27/22	UNLESS OTHERWISE SPECIFIED TOLERANCES ON DIMENSIONS ARE: SEE NOTES DIMENSIONS ARE IN MILLIMETERS (INCHES) AND AFTER PLATING	SCALE: 4:5 DO NOT SCALE DRAWING OR CHANGE MANUALLY
ECO:	STATE:		REVISION: 00
		PART NAME:	SHEET: 1 of 1
<small>EATON CORPORATION - CONFIDENTIAL AND PROPRIETARY NOTICE TO PERSONS RECEIVING THIS DOCUMENT AND/OR TECHNICAL INFORMATION THIS DOCUMENT, INCLUDING THE DRAWING AND INFORMATION CONTAINED THEREON, IS CONFIDENTIAL AND IS THE EXCLUSIVE PROPERTY OF EATON CORPORATION, AND IS MERELY ON LOAN AND SUBJECT TO RECALL BY EATON AT ANY TIME. BY TAKING POSSESSION OF THIS DOCUMENT, THE RECIPIENT ACKNOWLEDGES AND AGREES THAT THIS DOCUMENT CANNOT BE USED IN ANY MANNER ADVERSE TO THE INTERESTS OF EATON, AND THAT NO PORTION OF THIS DOCUMENT MAY BE COPIED OR OTHERWISE REPRODUCED WITHOUT THE PRIOR WRITTEN CONSENT OF EATON. IN THE CASE OF CONFLICTING CONTRACTUAL PROVISIONS, THIS NOTICE SHALL GOVERN THE STATUS OF THIS DOCUMENT. © 2008 Eaton Corporation - All Rights Reserved.</small>			