

Eaton BladeUPS External Battery Interconnect



For use with 400V BladeUPS Systems—runtime can be extended for hours.

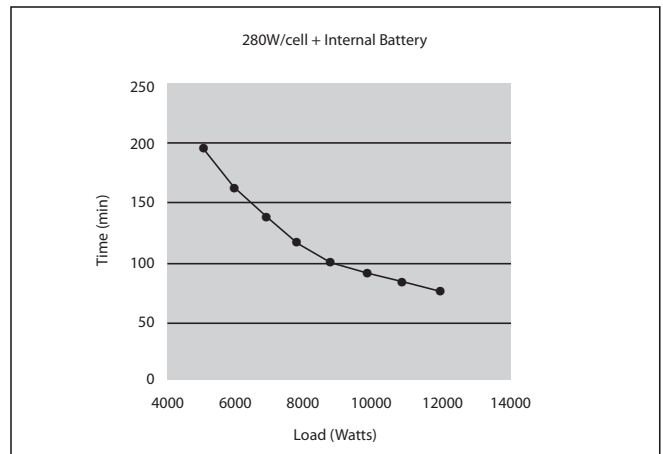
Features

- Doubles the amount of runtime available
- Can be used in parallel configuration when each unit has an interconnect
- Reliable source in environments where power sources are unreliable

The Eaton® BladeUPS® 400V uninterruptible power system (UPS) is compatible with a customer-supplied external battery only when used with the External Battery Interconnect. The addition of customer-supplied external batteries can extend battery runtime. Please note, this arrangement of customer-supplied external battery and External Battery Interconnect is not for use with the BladeUPS 208V module.

The External Battery Interconnect is a DC connection box that provides a landing for the wires from an external battery. The External Battery Interconnect converts external battery input wires to a plug that is compatible with the BladeUPS 400V (see drawing on page 2).

Runtime Table



Please note: This run time was achieved by using External Battery (Powerware PWHR12280W4FR) for our testing. Should you use another battery, runtimes may vary.

Technical Specifications

Dimensions and Weight

Part Number	103007247-5591
Dimensions (WxDxH)	66.7 x 88.9 x 190.5 mm; 2.63 x 3.5 x 7.5 in
Weight	1.45 kg (3.2 lb)

Electrical Input

Voltage Rating	250 Vdc
Current Rating	60A
Connection	Compression Lug: Positive and Negative terminals accept 50 – 2.5 mm ² (2/0 – 14 AWG) wire; Ground terminal accepts 16 – 2.5 mm ² (6 – 14 AWG) wire
Nominal Voltage	240 Vdc

Electrical Output

Voltage Rating	250 Vdc
Current Rating	60A
Connection	Anderson connector
Nominal Output Voltage	240 Vdc

Environmental and Safety

Operating Temperature	0°C to 40°C (32°F to 104°F)
Transit/Storage Temperature	-25°C to 55°C (-13°F to 131°F)
Relative Humidity	5–95% noncondensing
Operating Altitude	Up to 3,000 meters (0–9843 ft) above sea level without derating
Safety Conformance	UL 1778 4th Edition, IEC/EN 62040-1-1
Agency Markings	UL, cUL, CE

Customer-Supplied External Battery

Configuration	120 cell battery string (2V per cell)
Voltage	240 Vdc
Maximum Ah Rating	280 watts per cell (70 Ah)
Type	Sealed, valve-regulated, lead-acid (VRLA)
Maximum Charger Current	7.5A

BladeUPS 12kW Battery Discharge Times (in Minutes)

Load (Watts)	Battery Type 280 W/Cell (with 5 Ah Internal Battery)*
12000	73.2
11000	80.8
10000	90
9000	101
8000	115
7000	134
6000	160
5000	196

* Average discharge times are shown on the chart on the first page of this product focus

UNITED STATES
8609 Six Forks Road
Raleigh, NC 27615 U.S.A.
Toll Free: 1.800.356.5794

www.eaton.com/bladeups

CANADA
Ontario: 416.798.0112

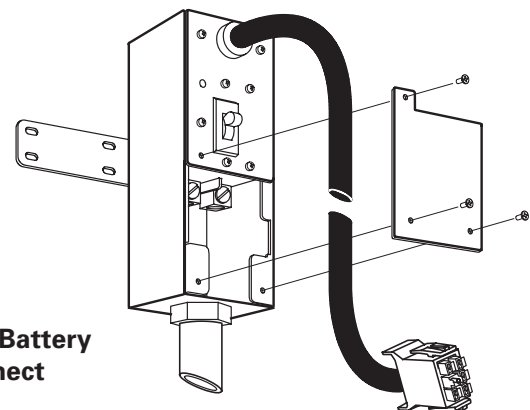
LATIN AMERICA
South Cone: 54.11.4124.4000
Brazil: 55.11.3616.8500
Andean & Caribbean:
1.949.452.9610
Mexico & Central America:
52.55.9000.5252

Configuration Guidelines

Please note the following guidelines when configuring a BladeUPS 400V module with a customer-supplied external battery and External Battery Interconnect.

Connect the External Battery Interconnect plug directly to the BladeUPS 400V module. Because there is a single UPS battery connector on the rear panel of the BladeUPS 400V module, you cannot use a combination of customer-supplied external batteries and Eaton-supplied extended battery modules (EBMs) with the same BladeUPS 400V module.

- Never connect the External Battery Interconnect plug to an EBM.
- The same customer-supplied external batteries cannot be shared by multiple BladeUPS 400V modules.
- For consistent runtimes, each BladeUPS 400V module in parallel systems must have the same amount of battery runtime.
- The customer-supplied external batteries are charged through the UPS internal charger.
- To configure the BladeUPS 400V module for customer-supplied external batteries, configure the user setting for Watts per cell. For information on user settings, refer to the user's guide for the BladeUPS module.
- A commissioning test is not required when using customer-supplied external batteries as long as ABM® Technology feature is not disabled.
- Internal BladeUPS batteries must be installed when using the External Battery Interconnect.



External Battery Interconnect

EUROPE/MIDDLE EAST/AFRICA
Denmark: 45.3686.7910
Finland: 358.94.52.661
France: 33.1.6012.7400
Germany: 49.0.7841.604.0
Italy: 39.02.66.04.05.40
Norway: 47.23.03.65.50
Portugal: 55.11.3616.8500
Sweden: 46.8.598.940.00
United Kingdom: 44.1753.608.700

ASIA PACIFIC
Australia/NZ: 61.2.9693.9366
China: 86.21.6361.5599
HK/Korea/Taiwan: 852.2745.6682
India: 91.11.4223.2300
Singapore/SEA: 65.6829.8888

Eaton, Powerware, BladeUPS, ABM, and PowerChain Management are trade names, trademarks, and/or service marks of Eaton Corporation or its subsidiaries and affiliates. All other trademarks are property of their respective owners.