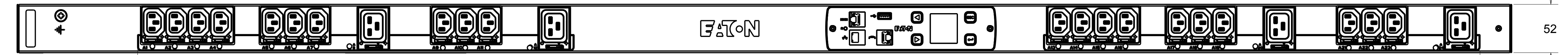
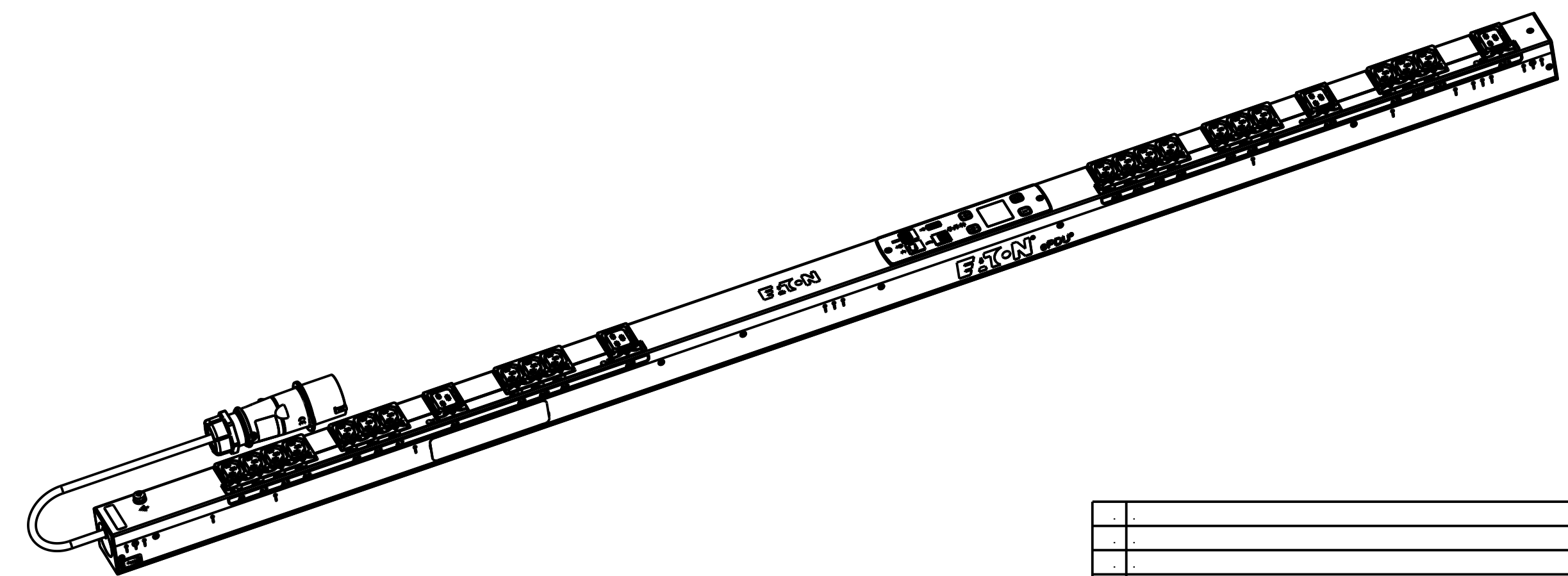
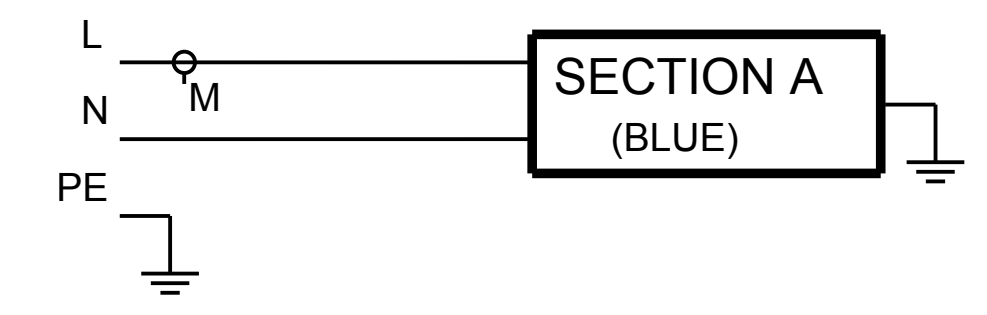


CABLE LENGTH SHOWN NOT TO SCALE



SECTION A  
BLUE

CIRCUIT SCHEMATIC



SCALE 0.200

ESWB04		G3 SWITCHED	
FUNCTIONALITY	INPUT	OUTPUT	ENVIRONMENTAL
CURRENT POWER AND ENERGY METERING FOR INPUT AND BRANCH . INDIVIDUAL OUTLET CONTROL	IEC 60309-2 16A 230V~ W+N+PE 1.5MM HO5 POWER CORD CABLE LENGTH: 3.0 M	(20) IEC 60320 C13 GRIP (4) IEC 60320 C19 GRIP	0 TO 60° C
MECHANICAL	INPUT RATING	OUTPUT RATING	CERTIFICATIONS
LENGTH: 1604MM WIDTH: 52 MM DEPTH: 53MM ALUMINIUM CHASSIS, BLACK MNT PATTERN SK-23919-Y1	1Ø; 200-240V~;W+N+PE 50/60HZ 16A	200-240V~;50/60HZ 10A PER C13;16A PER C19 16A MAX TOTAL	CE, CB
CIRCUIT BREAKERS	FILTER AND SPIKE/SURGE	ACCESSORIES	CONFIGURATION
NONE	NONE	STANDARD KSP015 - VERT INSTALL NETWORK PACK OPTIONAL EMP001 - ENVIRONMENTAL PROBE	ESW3CE7FABH77AM

01 REVISED CERTIFICATION CODE.		28.10.2014	G.McD.	M.B.
REV. MODIFICATION	DATE	DESSINER	VERIF.	
<b>EATON</b>		HEINEMANN PRODUCTS		VUE/VIEW EUROPE: 4/10
CH-1345 LE LIEU SWITZERLAND		DESSEINE LE / DRAWED THE 25.08.2014		N° MAG ESWB04
TRAITEMENT / FINISH NA		VERIFIE PAR / VERIFIED BY		M.B.
MATERIE / MATERIAL NA		NIVEAU DU CERTIFICAT DE SOUMISSION REQUIS / SAMPLES APPROVAL PROCESS REPORT X DIMENSIONS AND TOLERANCES IN MILLIMETERS		
DESIGNATION	EPDU SW 0U (309 16A 1P)20XC13:4XC19	SK-43619-Y1	01	
COTES A CONTROLER / INSPECTION DIMENSIONS	XX.XX	COTES FONCTIONNELLES / FUNCTIONAL DIMENSIONS	# XX.XX	NUMERO DU PLAN / PLAN NUMBER
Ce document est propriété de Eaton Industries Manufacturing GmbH. Duplication interdite sans autorisation. This document is Eaton Industries Manufacturing GmbH property. Duplication forbidden without authorization.				