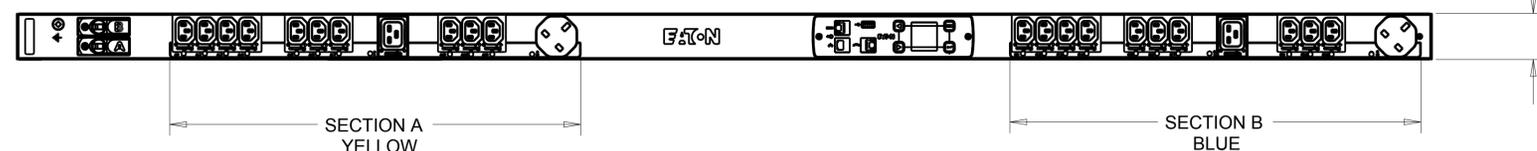
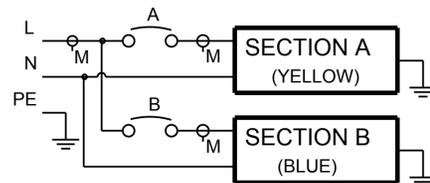


CABLE LENGTH SHOWN NOT TO SCALE

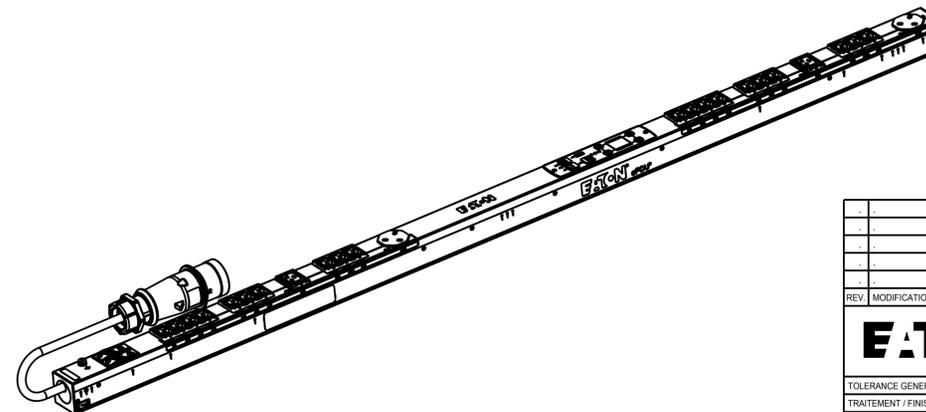


CIRCUIT SCHEMATIC



ESWB16 G3 SWITCHED

FUNCTIONALITY	INPUT	OUTPUT	ENVIRONMENTAL
CURRENT POWER AND ENERGY METERING FOR INPUT AND BRANCH. INDIVIDUAL OUTLET CONTROL	IEC 60309-2 32A 230V~ W+N+PE 4.0MM HO7 POWER CORD CABLE LENGTH: 3.0M	(20) IEC 60320 C13 GRIP (2) IEC 60320 C19 GRIP (2) BS1363 UK	0 TO 60 °C
MECHANICAL	INPUT RATING	OUTPUT RATING	CERTIFICATIONS
LENGTH: 1604MM WIDTH: 52 MM DEPTH: 53MM ALUMINIUM CHASSIS, BLACK MNT PATTERN SK-23919-Y1	1Ø; 200-240V~;W+N+PE 50/60HZ 32A	200-240V~;50/60HZ 10A PER C13;16A PER C19; 13A PER UK 16A MAX PER SECTION 32A MAX TOTAL	CE, CB
CIRCUIT BREAKERS	FILTER AND SPIKE/SURGE	ACCESSORIES	CONFIGURATION
(2) 16A 1-POLE	NONE	STANDARD KSP015 - VERT INSTALL NETWORK PACK OPTIONAL EMP001 - ENVIRONMENTAL PROBE	ESW3CH8FBQA77AM



SCALE 0.188

REV. MODIFICATION		DATE	DESS/DRAW	VERIF.
		HEINEMANN PRODUCTS		VUE/VIEW EUROPE: 4/10
CH-1345 LE LIEU SWITZERLAND		DESSINE LE / DRAWED THE 12.08.2014		N° MAG ESWB16
TRAITEMENT / FINISH NA		PAR / BY G.McD.		VERIFIE PAR / VERIFIED BY M.B.
MATERIE / MATERIAL NA		NIVEAU DU CERTIFICAT DE SOUMISSION REQUIS / SAMPLES APPROVAL PROCESS REPORT X		DIMENSIONS AND TOLERANCES IN MILLIMETERS
DESIGNATION EPDU SW 0U (309 32A 1P)20XC13:2XC19:2XUK		SK-42619-Y1		00
COTES A CONTROLER / INSPECTION DIMENSIONS XX.XX		COTES FONCTIONNELLES / FUNCTIONAL DIMENSIONS # XX.XX		NUMERO DU PLAN / PLAN NUMBER
Ce document est propriété de Eaton Industries Manufacturing GmbH. Duplication interdite sans autorisation. This document is Eaton Industries Manufacturing GmbH property. Duplication forbidden without authorization.				