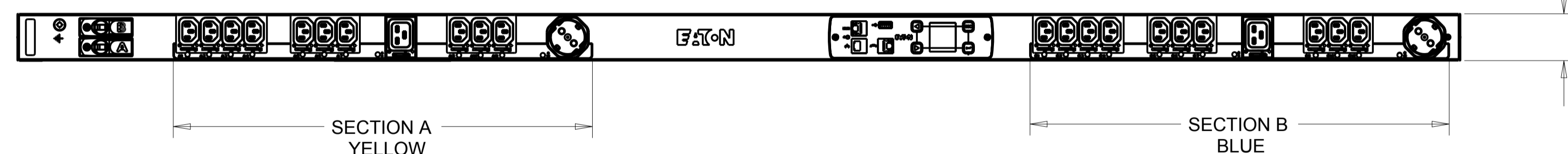
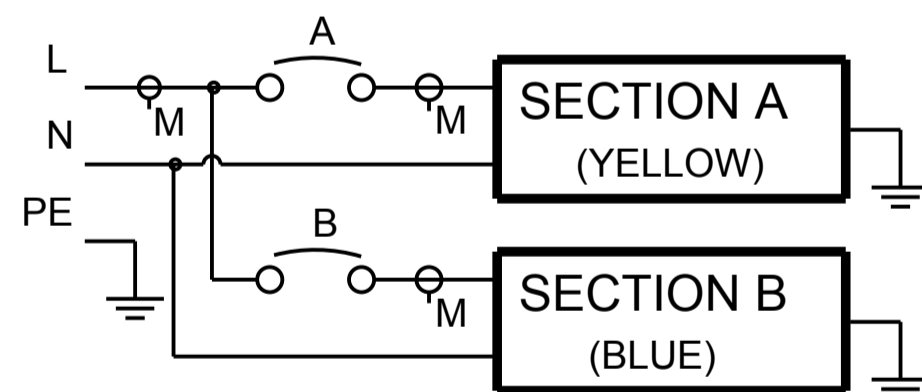


CABLE LENGTH SHOWN NOT TO SCALE

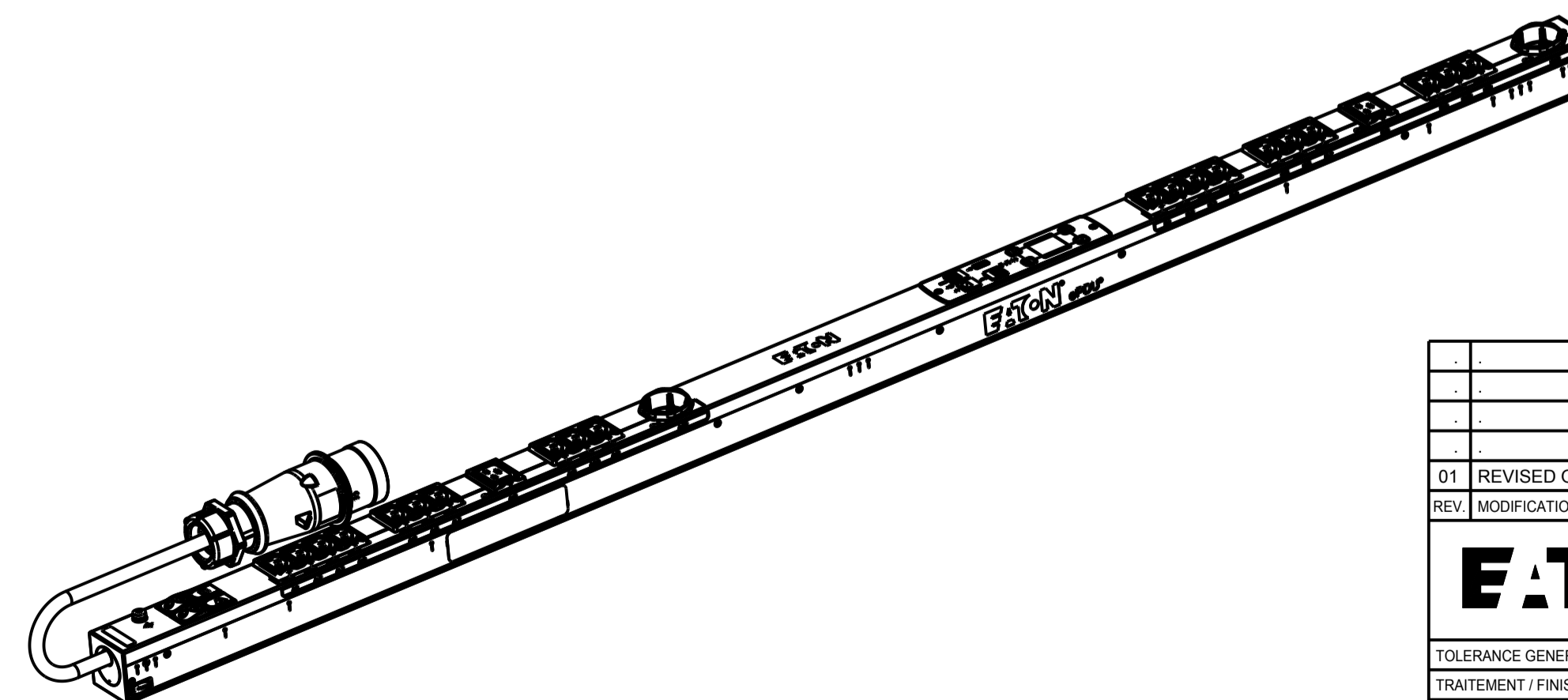


CIRCUIT SCHEMATIC



## ESWB18 G3 SWITCHED

FUNCTIONALITY	INPUT	OUTPUT	ENVIRONMENTAL
CURRENT POWER AND ENERGY METERING FOR INPUT AND BRANCH. INDIVIDUAL OUTLET CONTROL.	IEC 60309-2 32A 230V~ W+N+PE 4.0MM HO7 POWER CORD CABLE LENGTH: 3.0M	(20) IEC 60320 C13 GRIP (2) IEC 60320 C19 GRIP (2) CEE 7/5 GE	0 TO 60 °C
MECHANICAL	INPUT RATING	OUTPUT RATING	CERTIFICATIONS
LENGTH: 1604MM WIDTH: 52 MM DEPTH: 53MM ALUMINIUM CHASSIS, BLACK MNT PATTERN SK-23919-Y1	1Ø; 200-240V~;W+N+PE 50/60HZ 32A	200-240V~;50/60HZ 10A PER C13;16A PER C19 16A PER CEE 7/4 GE OUTLET 16A MAX PER SECTION 16A MAX TOTAL	CE, CB
CIRCUIT BREAKERS	FILTER AND SPIKE/SURGE	ACCESSORIES	CONFIGURATION
(2) 16A 1-POLE	NONE	STANDARD KSP015 - VERT INSTALL NETWORK PACK OPTIONAL EMP001 - ENVIRONMENTAL PROBE	ESW3CH8FBQC77AM



SCALE 0.188

01 REVISED OUTPUT RATING.		22.01.2015	G.McD.	M.B.
REV. MODIFICATION	DATE	DESIGNER	VERIF.	
<b>EATON</b>		HEINEMANN PRODUCTS		VUE/VIEW EUROPE: 4/10
CH-1345 LE LIEU SWITZERLAND		DESSEINÉ / DRAWN THE 12.08.2014		N° MAG ESWB18
TRAITEMENT / FINISH NA		PAR / BY G.McD.		VERIFIE PAR / VERIFIED BY M.B.
MATERIE / MATERIAL NA		NIVEAU DU CERTIFICAT DE SOUMISSION REQUIS / SAMPLES APPROVAL PROCESS REPORT X		DIMENSIONS AND TOLERANCES IN MILLIMETERS
DESIGNATION EPDU SW 0U (309 32A 1P)20XC13:2XC19:2XGE		SK-39719-Y1		01
COTES A CONTROLER / INSPECTION DIMENSIONS XX.XX		COTES FONCTIONNELLES / FUNCTIONAL DIMENSIONS # XX.XX		NUMERO DU PLAN / PLAN NUMBER
Ce document est propriété de Eaton Industries Manufacturing GmbH. Duplication interdite sans autorisation. This document is Eaton Industries Manufacturing GmbH property. Duplication forbidden without authorization.				