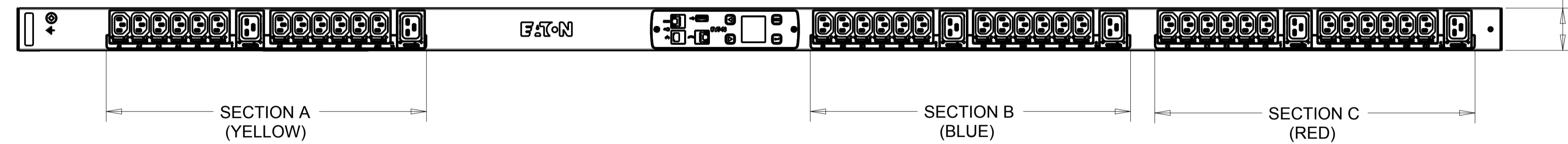
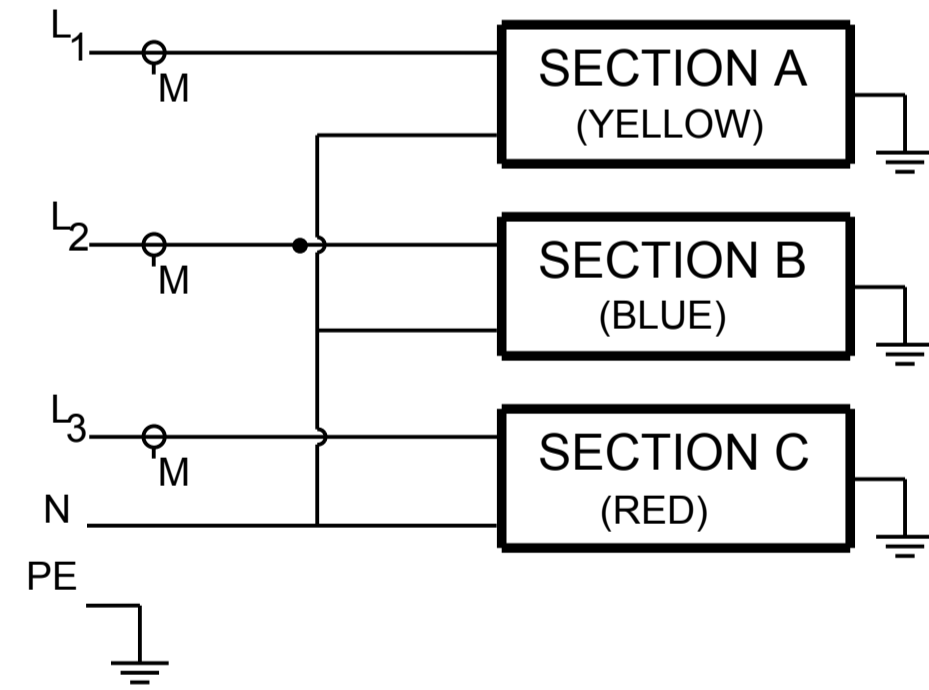


CABLE LENGTH SHOWN NOT TO SCALE

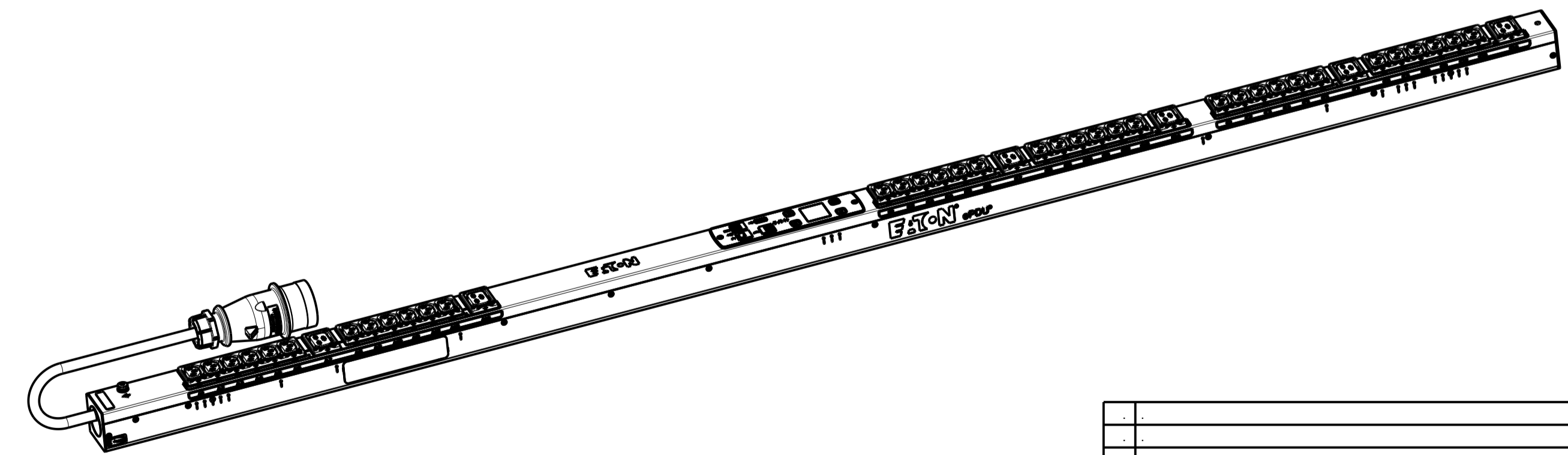
CIRCUIT SCHEMATIC



**EMIB00**

**G3 METERED INPUT**

FUNCTIONALITY	INPUT	OUTPUT	ENVIRONMENTAL
CURRENT POWER AND ENERGY METERING FOR INPUT AND BRANCH	IEC 60309-2 16A 400V~ WYE, 3W+N+PE 1.5MM HO7 POWER CORD CABLE LENGTH: 3.0M	(36) IEC 60320 C13 GRIP (6) IEC 60320 C19 GRIP	0 TO 60° C
MECHANICAL	INPUT RATING	OUTPUT RATING	CERTIFICATIONS
LENGTH: 1829MM WIDTH: 52 MM DEPTH: 53MM ALUMINIUM CHASSIS, BLACK MNT PATTERN SK-23919-Y1	1Ø; 200-240V~;W+N+PE 50/60Hz 32A	200-240V~;50/60Hz 10A PER C13;16A PER C19 16A MAX PER SECTION 16A MAX TOTAL	CE, CB
CIRCUIT BREAKERS	FILTER AND SPIKE/SURGE	ACCESSORIES	CONFIGURATION
NONE	NONE	STANDARD KSP015 - VERT INSTALLATION AND NETWORK PACK OPTIONAL EMP001 - ENVIRONMENTAL PROBE	EMI3DA8FAGK7BAM



PICTORIAL VIEW  
SCALE 0.187

01 FIXED MISSING GRAPHICS.		14.05.2014	G.McD.	M.B.
00 INITIAL RELEASE		21.02.2014	G.McD.	M.B.
REV	MODIFICATION	DATE	DESIGNER	VERIF
<b>EATON</b>		HEINEMANN PRODUCTS		VUE/VIEW 1ST ANGLE
CH-1345 LE LIEU SWITZERLAND		ECHELLE / SCALE 3/16		N° MAG EMIB00
TRAITEMENT / FINISH NA		DESSINE LE / DRAWN THE 21.02.2014		PAR / BY
MATIERE / MATERIAL NA		VERIFIE PAR / VERIFIED BY M.B.		
NIVEAU DU CERTIFICAT DE SOUMISSION REQUIS / SAMPLES APPROVAL PROCESS REPORT			X	DIMENSIONS AND TOLERANCES IN MILLIMETERS
DESIGNATION EPDU MI 0U (309 16A 3P)36XC13:6XC19		SK-30419-Y1		01
COTES A CONTROLER INSPECTION DIMENSIONS		COTES FONCTIONNELLES FUNCTIONAL DIMENSIONS		# XX.XX
Ce document est propriété de Eaton Industries Manufacturing GmbH. Duplication interdite sans autorisation. This document is Eaton Industries Manufacturing GmbH property. Duplication forbidden without authorization.				