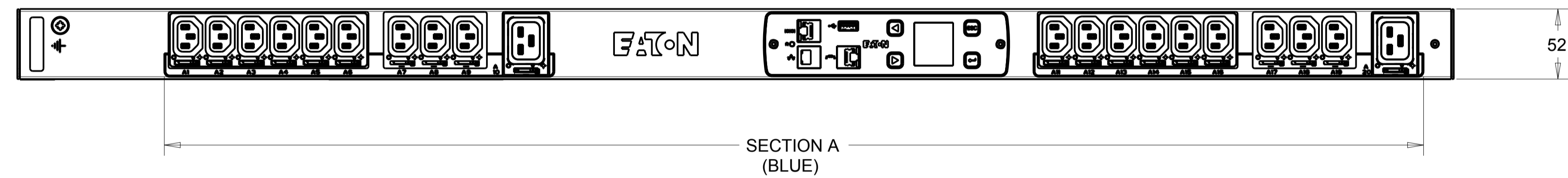
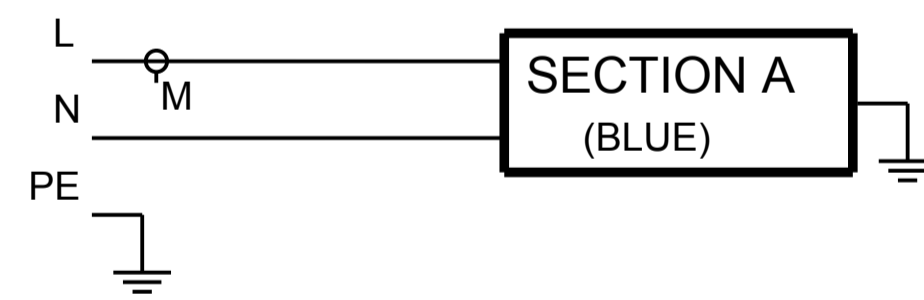


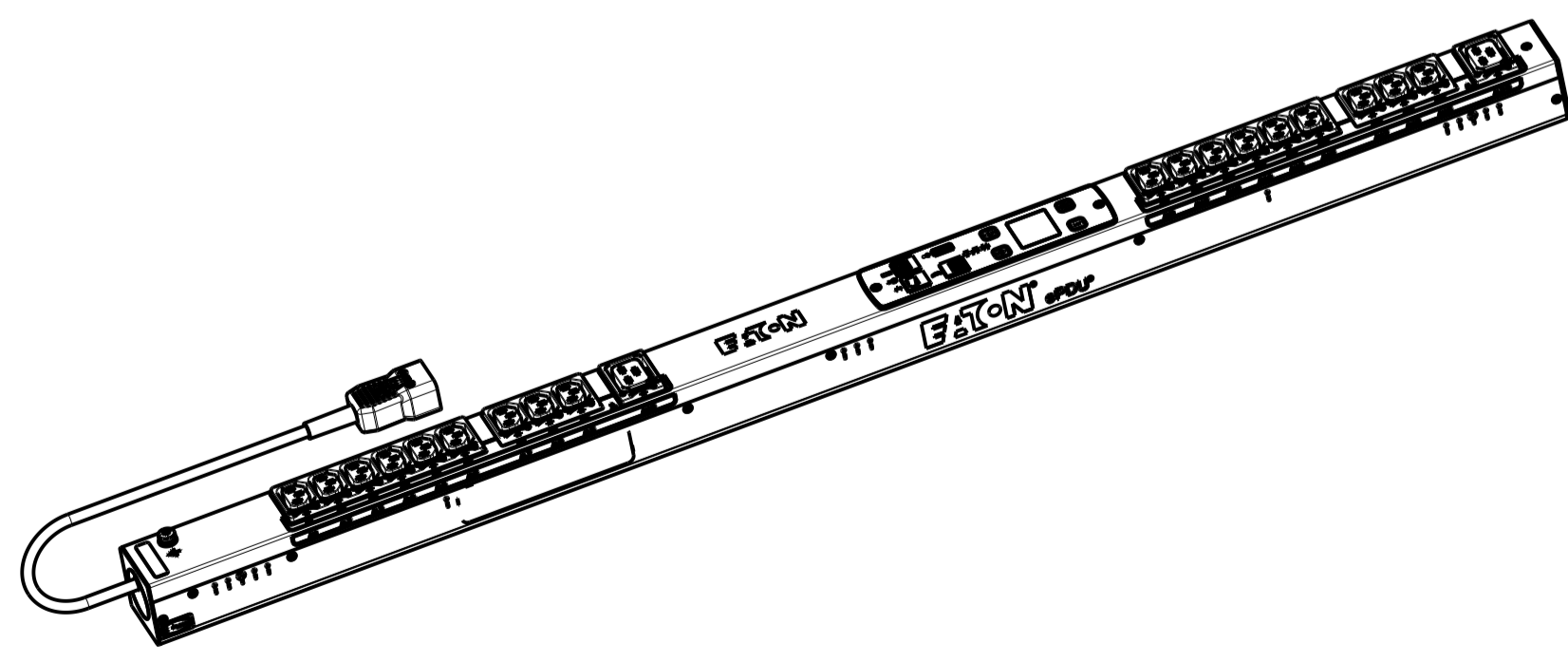
CABLE LENGTH SHOWN NOT TO SCALE



CIRCUIT SCHEMATIC



EMIB09		G3 METERED INPUT	
FUNCTIONALITY	INPUT	OUTPUT	ENVIRONMENTAL
CURRENT POWER AND ENERGY METERING FOR INPUT AND BRANCH	IEC 60309 C20 16A 230V~ W+N+PE 1.5MM HO5 POWER CORD CABLE LENGTH: 3.0 M	(18) IEC 60320 C13 GRIP (2) IEC 60320 C19 GRIP	0 TO 60° C
MECHANICAL	INPUT RATING	OUTPUT RATING	CERTIFICATIONS
LENGTH: 1070MM WIDTH: 52 MM DEPTH: 53MM ALUMINIUM CHASSIS, BLACK MNT PATTERN SK-23919-Y1	1Ø; 200-240V~;W+N+PE 50/60HZ 16A	200-240V~;50/60HZ 10A PER C13;16A PER C19 16A MAX TOTAL.	CE, CB
CIRCUIT BREAKERS	FILTER AND SPIKE/SURGE	ACCESSORIES	CONFIGURATION
NONE	NONE	STANDARD KSP015 - VERT INSTALLATION AND NETWORK PACK OPTIONAL EMP001 - ENVIRONMENTAL PROBE	EMI3CX7FABF75AM



PICTORIAL VIEW
SCALE 0.200

01 REVISED TO FIX GRAPHICS.		21.05.2014	G.McD.	M.B.
REVISION / MODIFICATION		DATE	DESIGNER	VERIF.
		HEINEMANN PRODUCTS		VUE/VIEW EUROPE: 4/10
CH-1345 LE LIEU SWITZERLAND		DESIGNEE / DRAWN THE		N° MAG: EMIB09
TRAITEMENT / FINISH: NA		VERIFIE PAR / VERIFIED BY: M.B.		
MATERIE / MATERIAL: NA		NIVEAU DU CERTIFICAT DE SOUMISSION REQUIS / SAMPLES APPROVAL PROCESS REPORT: X		DIMENSIONS AND TOLERANCES IN MILLIMETERS
DESIGNATION: EPDU MI 0U (C20 16A 1P)18XC13.2XC19		SK-30219-Y1		01
COTES A CONTROLER / INSPECTION DIMENSIONS: XX.XX		COTES FONCTIONNELLES / FUNCTIONAL DIMENSIONS: # XX.XX		NUMERO DU PLAN / PLAN NUMBER
Ce document est propriété de Eaton Industries Manufacturing GmbH. Duplication interdite sans autorisation. This document is Eaton Industries Manufacturing GmbH property. Duplication forbidden without authorization.				