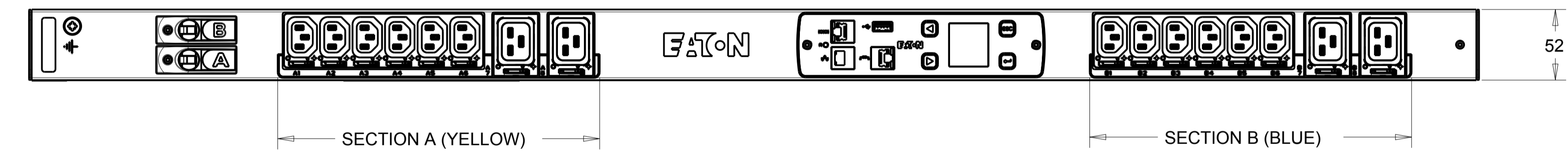
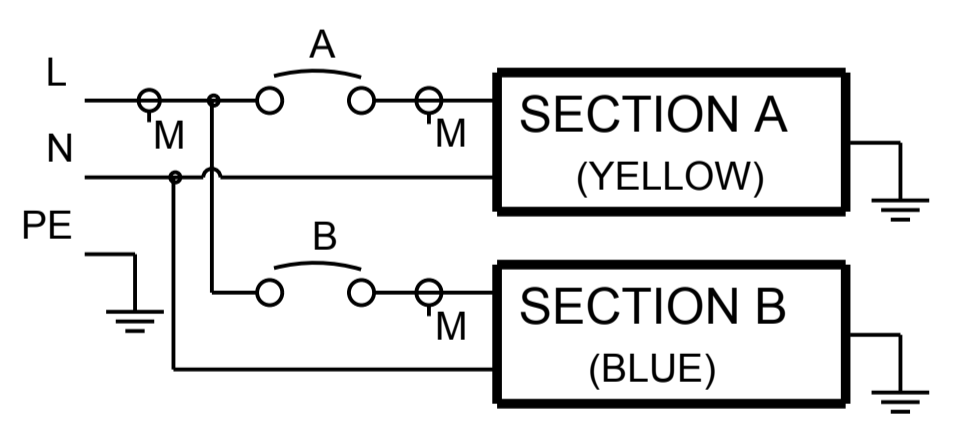


CABLE LENGTH SHOWN NOT TO SCALE

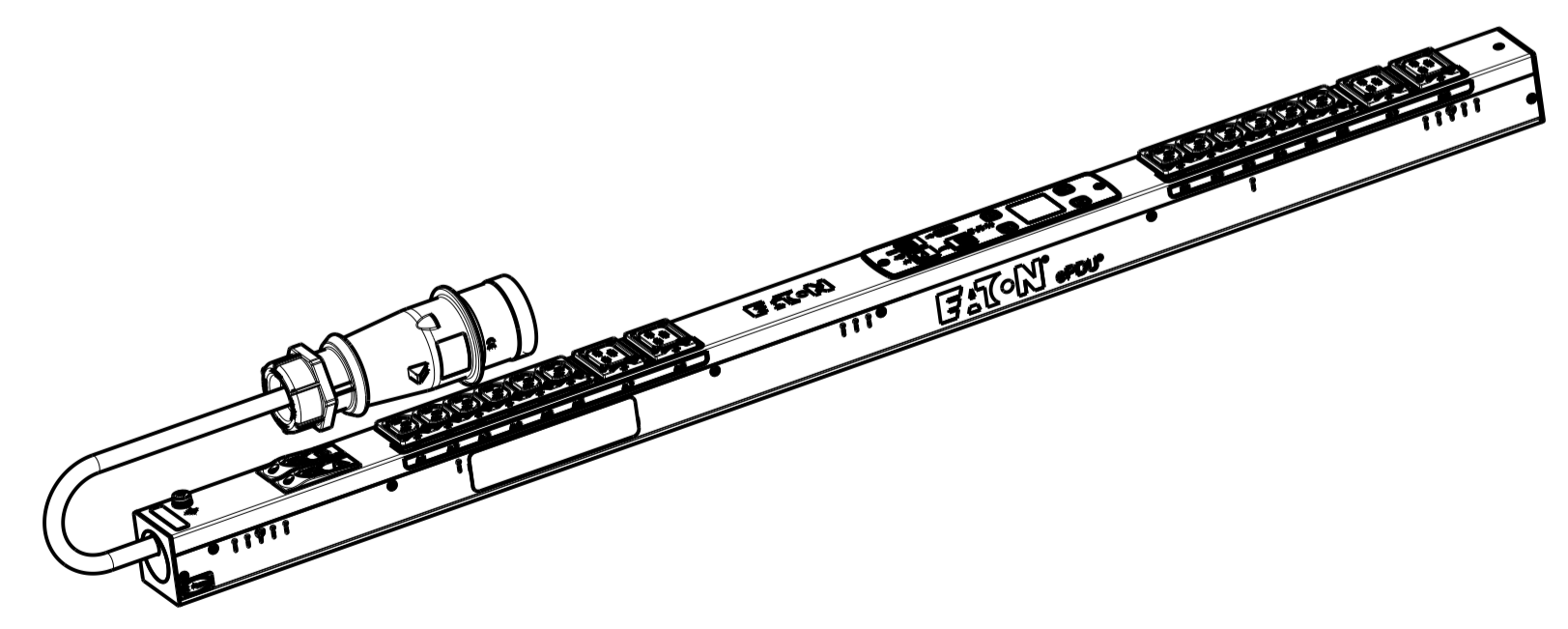


CIRCUIT SCHEMATIC



EMIB06 G3 METERED INPUT

FUNCTIONALITY	INPUT	OUTPUT	ENVIRONMENTAL
CURRENT POWER AND ENERGY METERING FOR INPUT AND BRANCH	IEC 60309-2 32A 230V~ W+N+PE 4.0MM HO7 POWER CORD CABLE LENGTH: 3.0M	(12) IEC 60320 C13 GRIP (4) IEC 60320 C19 GRIP	0 TO 60 °C
MECHANICAL	INPUT RATING	OUTPUT RATING	CERTIFICATIONS
LENGTH: 1070MM WIDTH: 52 MM DEPTH: 53MM ALUMINIUM CHASSIS, BLACK MNT PATTERN SK-23919-Y1	1Ø; 200-240V~;W+N+PE 50/60HZ 32A	200-240V~;50/60HZ 10A PER C13;16A PER C19 16A MAX PER SECTION 32A MAX TOTAL	CE, CB
CIRCUIT BREAKERS	FILTER AND SPIKE/SURGE	ACCESSORIES	CONFIGURATION
(2) 16A 1-POLE	NONE	STANDARD KSP015 - VERT INSTALLATION AND NETWORK KIT OPTIONAL EMP001 - ENVIRONMENTAL PROBE	EMI3CH8FBDB75AM



PICTORIAL VIEW
SCALE 0.200

01 REVISED TO FIX GRAPHICS.		21.05.2014	G.McD.	M.B.
REVISION / MODIFICATION		DATE	DESIGNER	VERIF.
HEINEMANN PRODUCTS CH-1345 LE LIEU SWITZERLAND		VUE/VIEW EUROPE	ECHELLE / SCALE 4/10	N° MAG EMIB06
		DESSINE LE / DRAWN THE 20.02.2014		PAR / BY
TOLERANCE GENERALE / GENERAL TOLERANCE ± 0.1 ± 0.5°		VERIFIE PAR / VERIFIED BY M.B.		
TRAITEMENT / FINISH NA		NIVEAU DU CERTIFICAT DE SOUMISSION REQUIS / SAMPLES APPROVAL PROCESS REPORT X DIMENSIONS AND TOLERANCES IN MILLIMETERS		
MATIERE / MATERIAL NA		DESIGNATION EPDU MI 0U (309 32A 1P)12XC13:4XC19 SK-29919-Y1 01		
COTES A CONTROLER / INSPECTION DIMENSIONS XX.XX		COTES FONCTIONNELLES / FUNCTIONAL DIMENSIONS # XX.XX		NUMERO DU PLAN / PLAN NUMBER
Ce document est propriété de Eaton Industries Manufacturing GmbH. Duplication interdite sans autorisation. This document is Eaton Industries Manufacturing GmbH property. Duplication forbidden without authorization.				