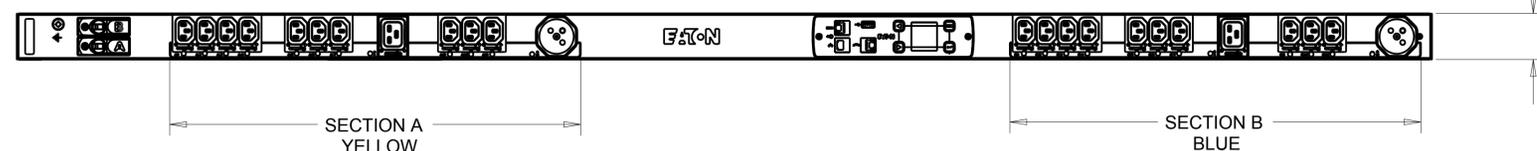
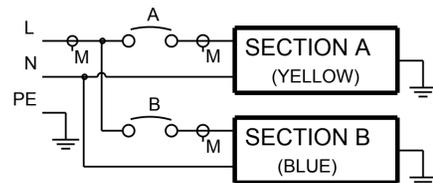


CABLE LENGTH SHOWN NOT TO SCALE

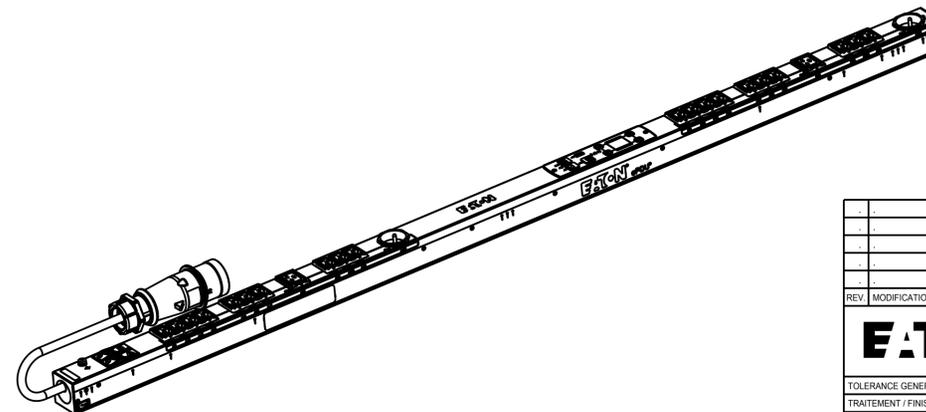


CIRCUIT SCHEMATIC



## EMAB17 G3 MANAGED

FUNCTIONALITY	INPUT	OUTPUT	ENVIRONMENTAL
CURRENT POWER AND ENERGY METERING FOR INPUT, BRANCH AND OUTLETS. INDIVIDUAL OUTLET CONTROL	IEC 60309-2 32A 230V~ W+N+PE 4.0MM HO7 POWER CORD CABLE LENGTH: 3.0M	(20) IEC 60320 C13 GRIP (2) IEC 60320 C19 GRIP (2) CEE 7/4 FR	0 TO 60 °C
MECHANICAL	INPUT RATING	OUTPUT RATING	CERTIFICATIONS
LENGTH: 1604MM WIDTH: 52 MM DEPTH: 53MM ALUMINIUM CHASSIS, BLACK MNT PATTERN SK-23919-Y1	1Ø; 200-240V~;W+N+PE 50/60HZ 32A	200-240V~;50/60HZ 10A PER C13;16A PER C19; 16A PER FR 16A MAX PER SECTION 32A MAX TOTAL	CE, CB
CIRCUIT BREAKERS	FILTER AND SPIKE/SURGE	ACCESSORIES	CONFIGURATION
(2) 16A 1-POLE	NONE	STANDARD KSP015 - VERT INSTALL NETWORK PACK OPTIONAL EMP001 - ENVIRONMENTAL PROBE	EMA3CH8FBQB77AM



SCALE 0.188

REV. MODIFICATION		DATE	DESIGNER	VERIF.
EATON		HEINEMANN PRODUCTS	VUE/VUEW EUROPE: 4/10	N° MAG: EMAB17
CH-1345 LE LIEU SWITZERLAND		DESSEINÉ LE / DRAWN THE: 12.08.2014	PAR / BY: G.McD.	VERIFIÉ PAR / VERIFIED BY: M.B.
TOLERANCE GENERALE / GENERAL TOLERANCE				
TRAITEMENT / FINISH: NA				
MATIERE / MATERIAL: NA				
NIVEAU DU CERTIFICAT DE SOUMISSION REQUIS / SAMPLES APPROVAL PROCESS REPORT: X			DIMENSIONS AND TOLERANCES IN MILLIMETERS	
DESIGNATION: EPDU MA 0U (309 32A 1P)20XC13.2XC19:2XFR		SK-42019-Y1		00
COTES A CONTROLER / INSPECTION DIMENSIONS: XX.XX		COTES FONCTIONNELLES / FUNCTIONAL DIMENSIONS: # XX.XX		NUMERO DU PLAN / PLAN NUMBER
Ce document est propriété de Eaton Industries Manufacturing GmbH. Duplication interdite sans autorisation. This document is Eaton Industries Manufacturing GmbH property. Duplication forbidden without authorization.				