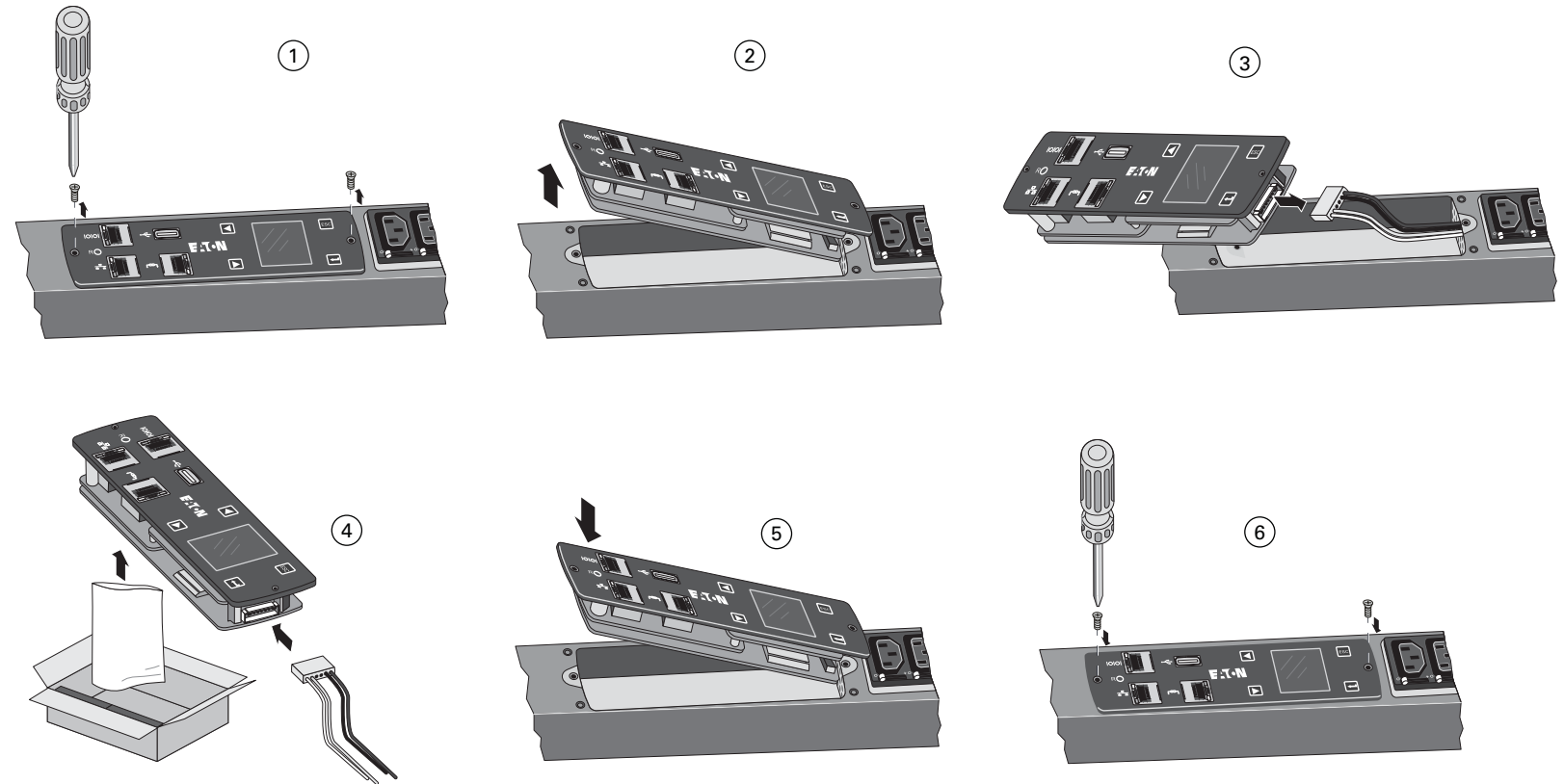
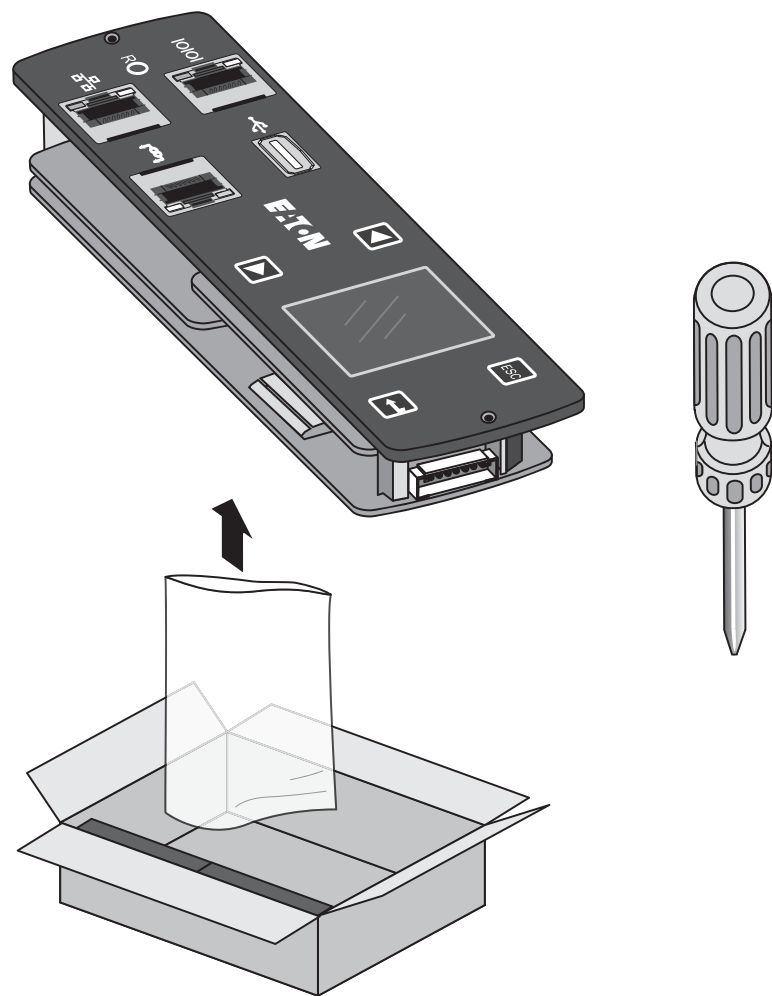


REPLACE THE MODULE

This document contains instructions that you should follow during installation and configuration of the Eaton ePDU Network Management and Control (eNMC) module. Please read all instructions before installing or operating the equipment.



PRECAUTIONS

- Handle the eNMC module with care. Be aware that there is a risk of electrostatic discharge (ESD).
- As a preventive measure, wear ESD protection such as an ESD shoe strap while replacing the eNMC module.
- Do not put stress on the connection cable during installation.
- The eNMC module is hot-swappable. This means that outlets are not affected by the replacement. They do not change state (outlets do not turn Off if On).

REPLACEMENT PROCEDURE

To replace the eNMC module:

1. Remove the two eNMC module mounting screws.
2. Tilt up one side of the eNMC module and locate the attached cable harness.
3. Disconnect the cable harness and remove the eNMC module.
4. Remove the new eNMC module from the box and unwrap it.
5. Connect the cable harness to the new eNMC module.
6. Reinsert the new eNMC module and reinstall the two eNMC module mounting screws.
7. The new eNMC module will not have the same MAC address as the one you are replacing. Ensure the old MAC address label is discarded and that new MAC address label is firmly adhered to the product.

Note: After the new eNMC module is connected, the “internal communication error” message displays until the configuration file is uploaded to the eNMC module.



Read and understand safety and operating information before using this equipment.