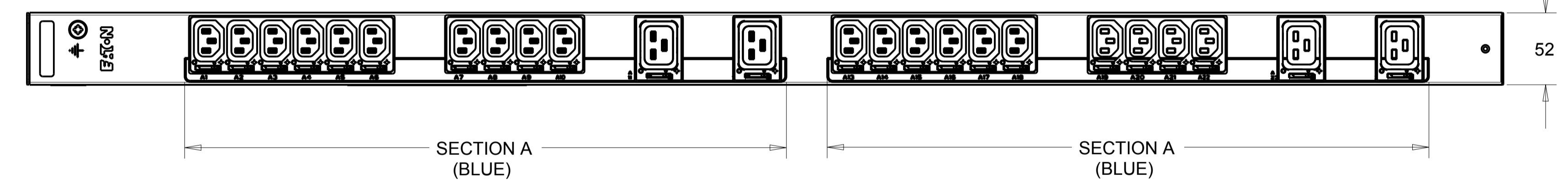
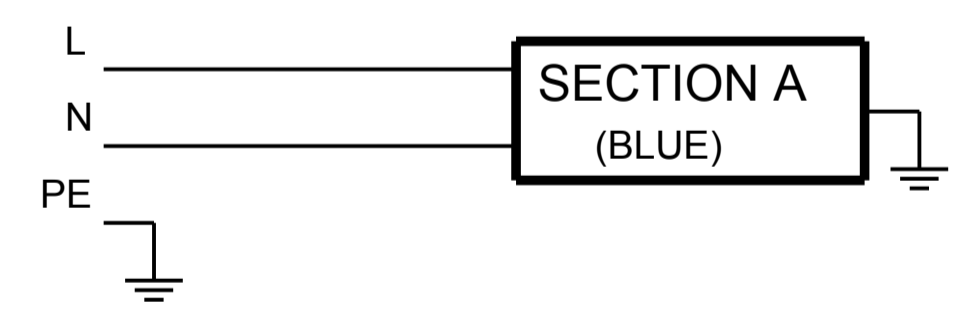


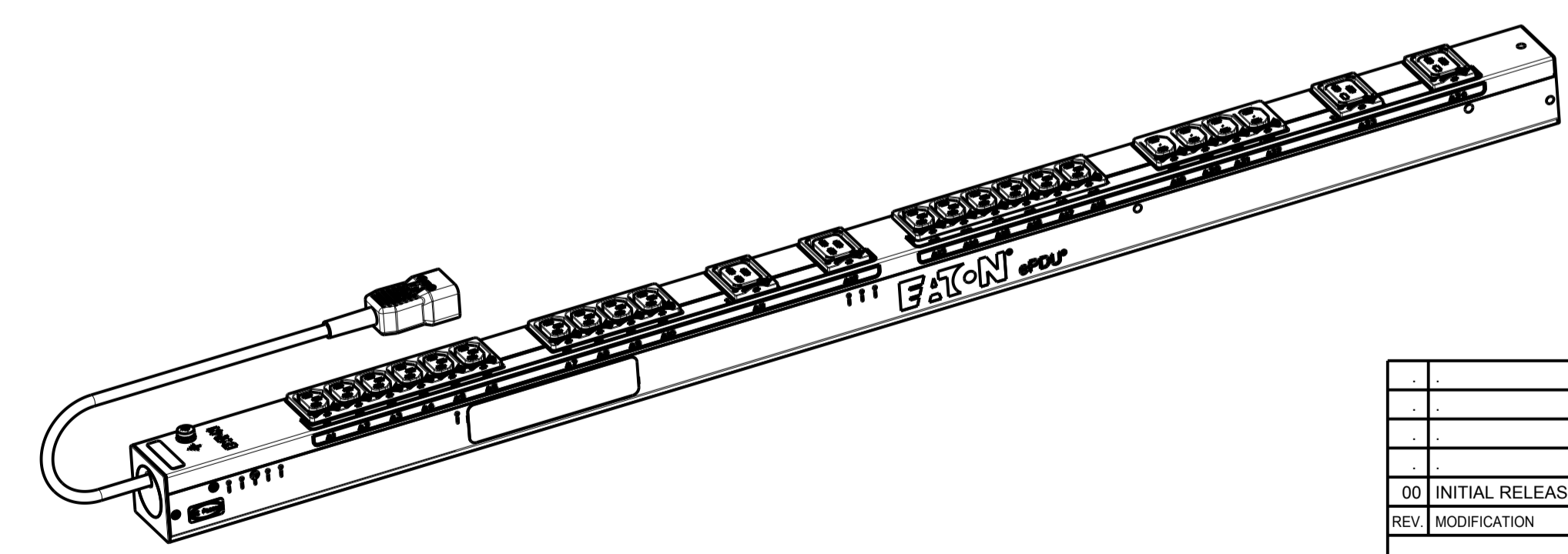
CABLE LENGTH SHOWN NOT TO SCALE



CIRCUIT SCHEMATIC



EBAB22	G3 BASIC		
FUNCTIONALITY	INPUT	OUTPUT	ENVIRONMENTAL
NONE	1Ø; 200-240V~; W+N+PE 50/60Hz 16A	(20) IEC 60320 C13 GRIP (4) IEC 60320 C19 GRIP	0 TO 60° C
MECHANICAL	INPUT RATING	OUTPUT RATING	CERTIFICATIONS
LENGTH: 1070MM WIDTH: 52 MM DEPTH: 53MM ALUMINIUM CHASSIS, BLACK MNT PATTERN SK-23919-Y1	IEC 60309 C20 16A 230V~ W+N+PE 1.5MM HO5 POWER CORD CABLE LENGTH: 3.0 M	200-240V~; 50/60Hz 10A PER C13; 16A PER C19 16A MAX TOTAL	CE, CB
CIRCUIT BREAKERS	FILTER AND SPIKE/SURGE	ACCESSORIES	CONFIGURATION
NONE	NONE	STANDARD KSP014 - VERT INSTALLATION PACK OPTIONAL EMP001 - ENVIRONMENTAL PROBE	EBA3CX8FABH75AM



PICTORIAL VIEW
SCALE 0.250

00	INITIAL RELEASE	13.05.2014	RA	MB
REV	MODIFICATION	DATE	DESIGNER	VERIF
		HEINEMANN PRODUCTS	VUE/VIEW 1ST ANGLE	ECHELLE / SCALE 4/10
		CH-1345 LE LIEU SWITZERLAND	DESSINE LE / DRAWED THE	N° MAG EBAB22
			PAR / BY	RA
			VERIFIE PAR / VERIFIED BY	MB
			DIMENSIONS AND TOLERANCES IN MILLIMETERS	
DESIGNATION		EPDU BA 0U (C20 16A 1P)20XC13:4XC19	SK-35019-Y1	00
COTES A CONTROLER INSPECTION DIMENSIONS		XX.XX	COTES FONCTIONNELLES FUNCTIONAL DIMENSIONS	# XX.XX
		NUMERO DU PLAN PLAN NUMBER		REV.
<small>Ce document est propriété de Eaton Industries Manufacturing GmbH. Duplication interdite sans autorisation. This document is Eaton Industries Manufacturing GmbH property. Duplication forbidden without authorization.</small>				