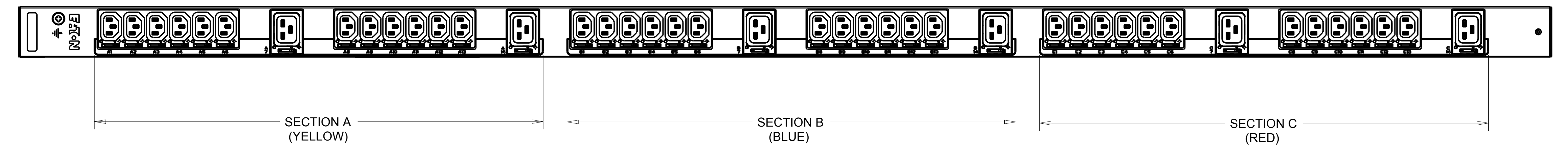
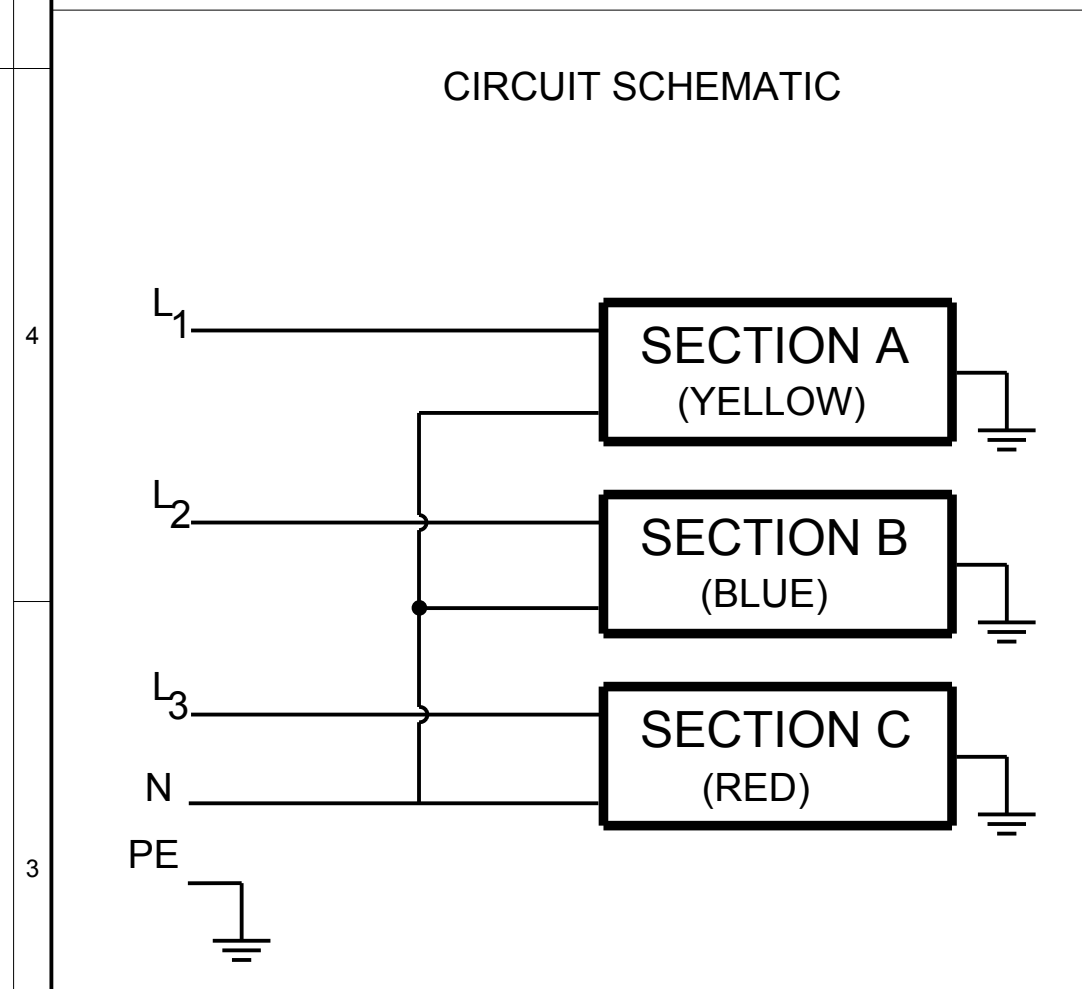
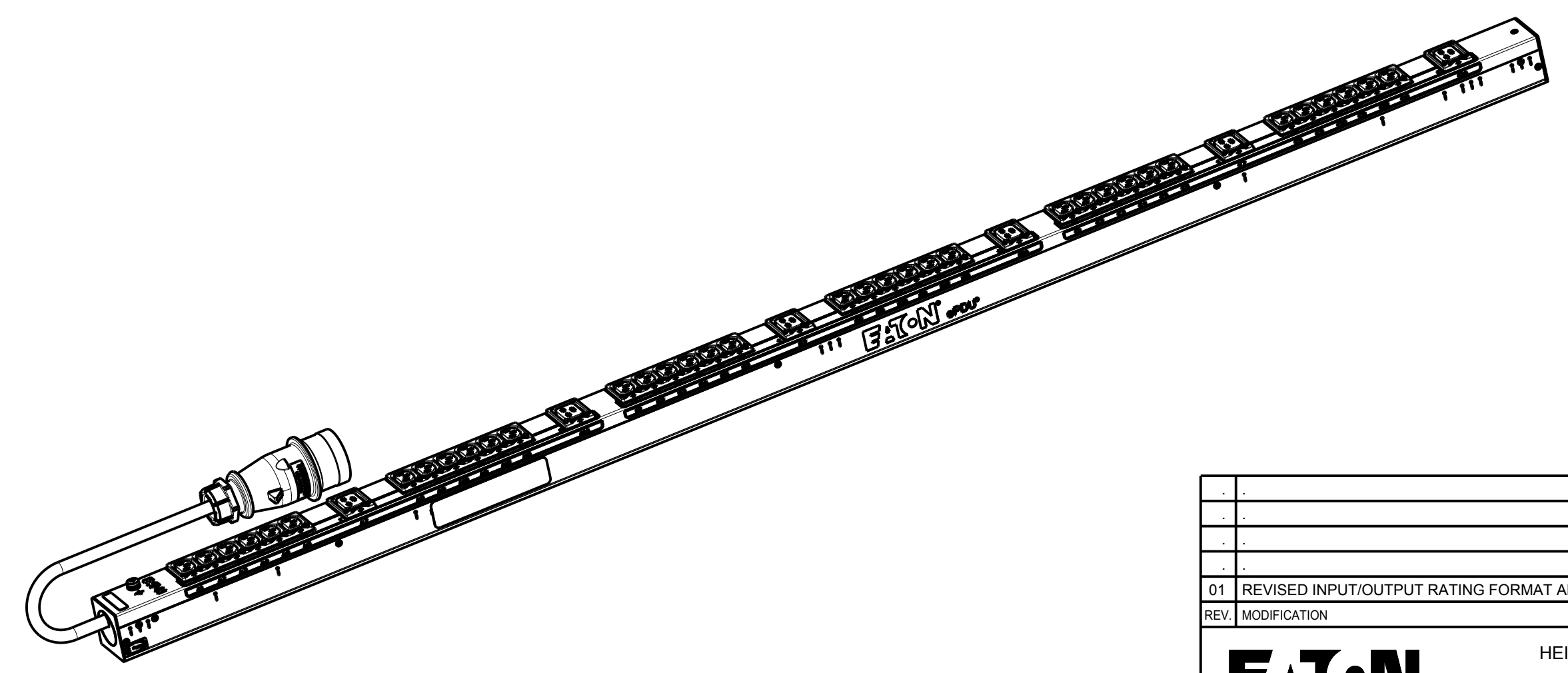


CABLE LENGTH SHOWN NOT TO SCALE



EBAB00		G3 BASIC	
FUNCTIONALITY	INPUT	OUTPUT	ENVIRONMENTAL
NONE	IEC 60309-2 16A 400V~ WYE, 3W+N+PE 1.5MM HO7 POWER CORD CABLE LENGTH: 3.0M	(36) IEC 60320 C13 GRIP (6) IEC 60320 C19 GRIP	0 TO 60° C
MECHANICAL	INPUT RATING	OUTPUT RATING	CERTIFICATIONS
LENGTH: 1604MM WIDTH: 52MM DEPTH: 53MM ALUMINIUM CHASSIS, BLACK MNT PATTERN SK-23919-Y1	3Ø; 346-415V~; WYE, 3W+N+PE 50/60HZ	200-240V~; 50/60HZ 10A PER C13; 16A PER C19 16A MAX PER SECTION 16A MAX TOTAL	CE, CB
CIRCUIT BREAKERS	FILTER AND SPIKE/SURGE	ACCESSORIES	CONFIGURATION
NONE	NONE	STANDARD KSP014 - VERT INSTALLATION PACK OPTIONAL EMP001 - ENVIRONMENTAL PROBE	EBA3DA8FAGK77AM



PICTORIAL VIEW
SCALE 0.200

01 REVISED INPUT/OUTPUT RATING FORMAT AND CORRECTED GRAPHICS.		14.05.2014	G.McD.	M.B.
REV. MODIFICATION	DATE	DESIGNER	VERIF.	
EATON		HEINEMANN PRODUCTS	VUE/VIEW 1ST ANGLE	ECHELLE / SCALE 4/10
CH-1345 LE LIEU SWITZERLAND		DESIGNEE / DRAWN THE PAR / BY	N° MAG EBAB00	
TRAITEMENT / FINISH MATERIE / MATERIAL		VERIFIE PAR / VERIFIED BY		M.B.
NIVEAU DU CERTIFICAT DE SOUMISSION REQUIS / SAMPLES APPROVAL PROCESS REPORT		X	DIMENSIONS AND TOLERANCES IN MILLIMETERS	
DESIGNATION	EPDU BA 0U (309 16A 3P)36XC13.6XC19	SK-30519-Y1	01	
COTES A CONTROLER INSPECTION DIMENSIONS	XX.XX	COTES FONCTIONNELLES FUNCTIONAL DIMENSIONS	# XX.XX	NUMERO DU PLAN PLAN NUMBER
Ce document est propriété de Eaton Industries Manufacturing GmbH. Duplication interdite sans autorisation. This document is Eaton Industries Manufacturing GmbH property. Duplication forbidden without authorization.				