

SITE PLANNING DATA 93PR 300KVA

Page 1 Packaging Dimensions

Page 2 Dimensional Drawings for standard configuration UPS

Page 3 Dimensional Drawings for top air configuration UPS

Page 4 Clearance Dimensions

Page 5 Customer Connections for standard configuration UPS

Page 6 Customer Connections for top air configuration UPS

Page 7 Electrical Wiring of single unit

Page 8 Electrical & Signal Wiring of Parallel Units by Common Battery Configurations

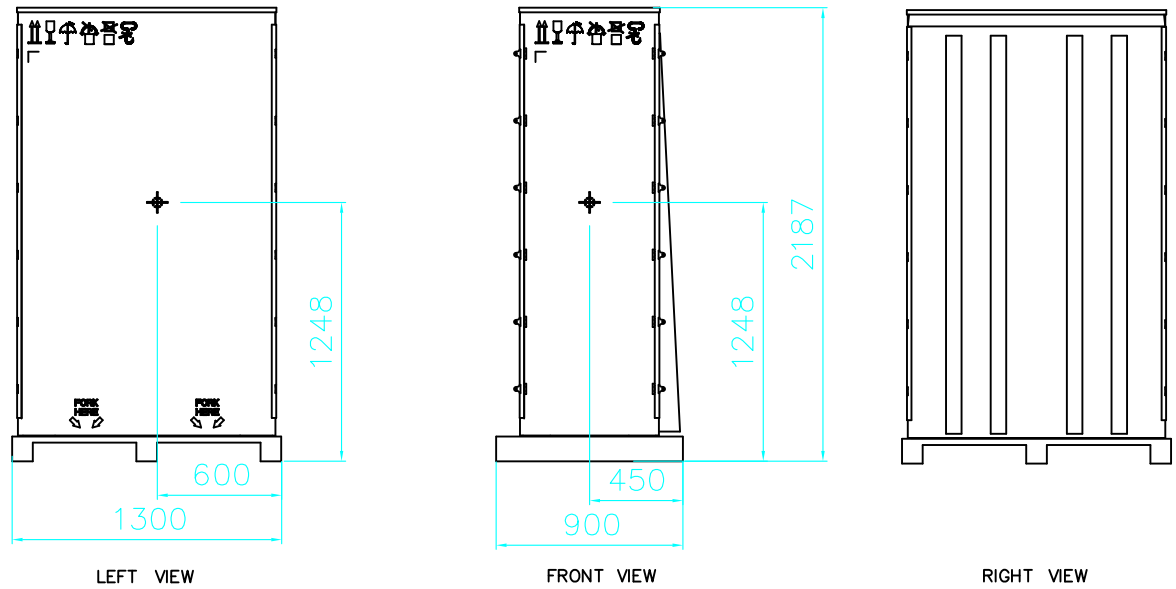
Page 9 Electrical & Signal Wiring of Parallel Units by Common Battery Configurations

Page 10 Product Specifications

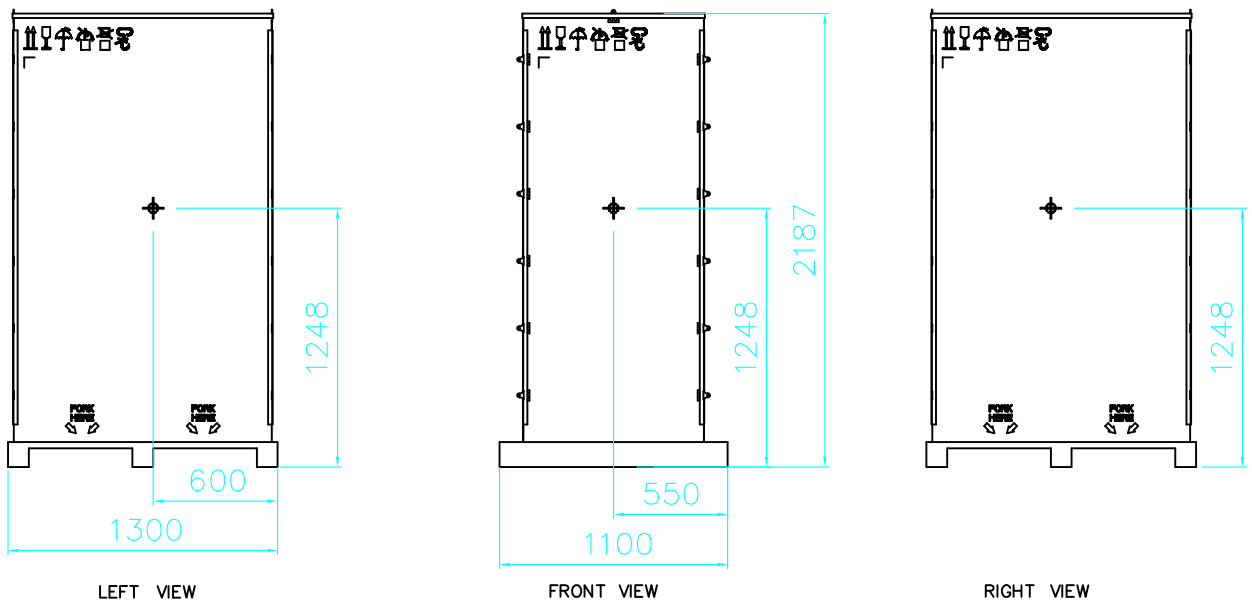


METRIC		EATON CORPORATION		EATON	
DESCRIPTION: 93PR-300 SITE PLANNING DATA					
ORIGINATOR:	ECO:	NAME:	REVISION:	SIZE:	A1
MODIFIED:		93PR-300		SCALE:	1:1
CHECKED:	DOCUMENT TYPE:		STATE/RELEASE:	SHEET:	1 OF 1
SAFETY:	PRO-E DRAWING:				
APPROVED:					
<small>NOTICE TO READER: THIS DOCUMENT IS CONFIDENTIAL AND PROPRIETARY. IT IS THE PROPERTY OF EATON CORPORATION AND IS NOT TO BE REPRODUCED OR TRANSMITTED IN ANY FORM OR BY ANY MEANS, ELECTRONIC OR MECHANICAL, INCLUDING PHOTOCOPYING, RECORDING, OR BY ANY INFORMATION STORAGE AND RETRIEVAL SYSTEM. WITHOUT THE WRITTEN PERMISSION OF EATON CORPORATION. © 2004 EATON CORPORATION. ALL RIGHTS RESERVED.</small>					

Package Dimensions for standard configuration UPS



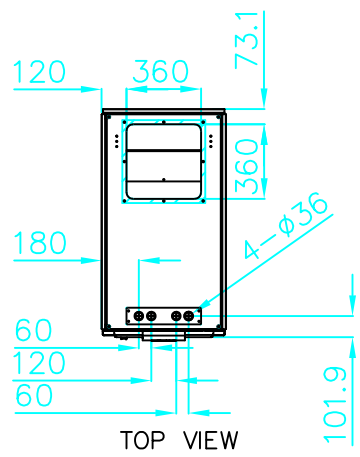
Package Dimensions for top air configuration UPS



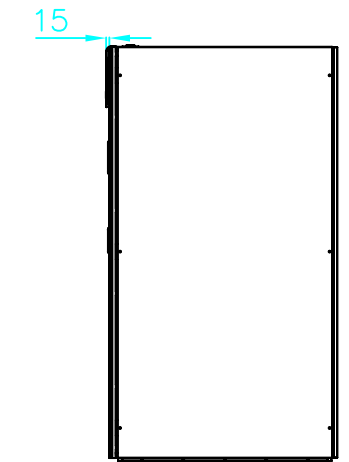
- Note:
1. The COG dimensions for UPS cabinet with package are approximated.
 2. The COG dimensions of standard configuration UPS cabinet with package are X=450mm, Y=600mm, Z=1248mm.
 3. The COG dimensions of top air configuration UPS cabinet with package are X=550mm, Y=600mm, Z=1248mm.

METRIC		EATON CORPORATION		EATON	
DESCRIPTION: 93PR-300 Package - Dimensions					
ORIGINATOR:	ECO:	NAME:	REVISION:	SIZE:	A1
MODIFIED:		93PR-300		SCALE:	1:1
CHECKED:	DOCUMENT TYPE:		STATE/RELEASE:		
SAFETY:	PRO-E DRAWING			SHEET:	1 OF 1
APPROVED:					

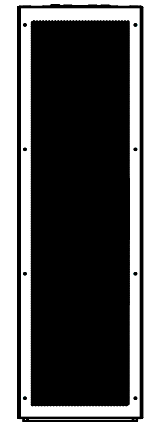
NOTICE TO READER: THIS DOCUMENT IS UNCLASSIFIED AND PUBLIC INFORMATION. IT IS THE PROPERTY OF EATON CORPORATION AND IS LOANED TO YOUR COMPANY FOR YOUR COMPANY'S USE ONLY. IT IS NOT TO BE REPRODUCED, COPIED, OR DISTRIBUTED OUTSIDE YOUR COMPANY WITHOUT THE WRITTEN PERMISSION OF EATON CORPORATION.



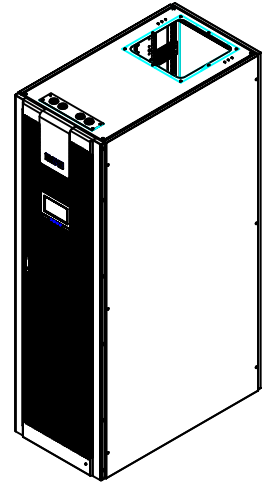
TOP VIEW



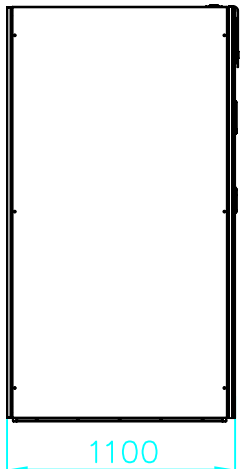
RIGHT VIEW



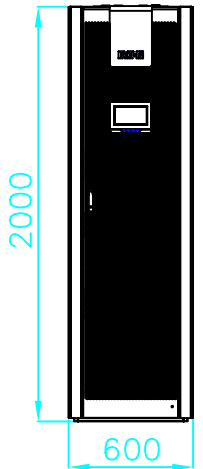
REAR VIEW



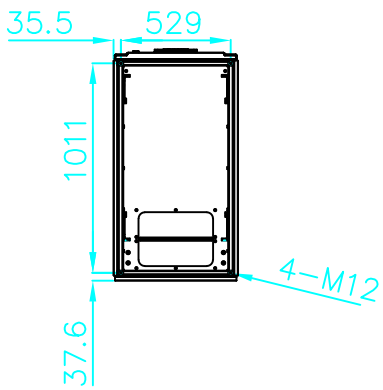
IOS VIEW



LEFT VIEW



FRONT VIEW



BOTTOM VIEW

Product Specifications

CTO	UPS Rating		Max Heat Dissipation at 100% Load	Dimensions WxDxH	Approx. Weight (incl. UPM) Unpacked	Floor Loading	Cooling Air
	KVA	KW					
9R106A0500E01C0	300	300	KW	MM	Kg	Kg/m ²	m ³ /H
9R106A0500E01C0	300	300		600x1100x2000	565	856	3400
9RZ06A0500E01B0	300	300		600x1100x2000	575	872	3400
9R106A0500B01C0	300	300		600x1100x2000	550	834	3400

Notes:

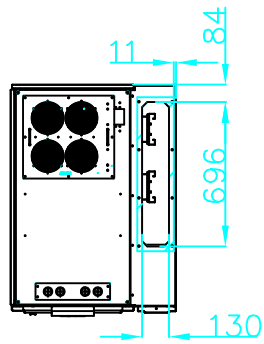
1. The system must be installed in a temperature and humidity controlled indoor area free of conductive contaminants.
2. Continues ambient temperature range: 0-40°C(32-104F); Maximum relative humidity: 95% non-condensing.
3. The UPS can be installed in line-up-and-match or standalone configurations.
4. The Top cable entries through the removable gland plate are standard for standard configuration UPS. Gland plates shall be fixed back after Routing, if needed.

METRIC EATON CORPORATION

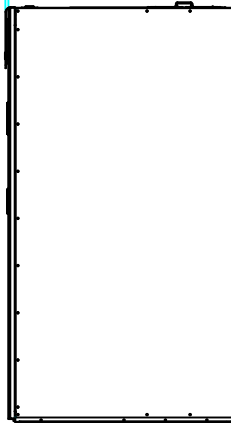
DESCRIPTION: 93PR-300 Dimensional Drawings for standard configuration UPS

ORIGINATOR:	ECO:	NAME:	REVISION:	SCALE:
MODIFIED:		93PR-300		T:1
CHECKED:	DOCUMENT TYPE:		STATE/RELEASE:	
SAFETY:	PRO-E DRAWING			1 OF 1
APPROVED:				

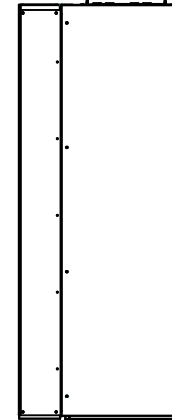
NOTICE TO READER: THIS DOCUMENT IS THE PROPERTY OF EATON CORPORATION AND IS LOANED TO YOUR COMPANY. IT IS NOT TO BE REPRODUCED OR TRANSMITTED IN ANY FORM OR BY ANY MEANS, ELECTRONIC OR MECHANICAL, INCLUDING PHOTOCOPYING, RECORDING, OR BY ANY INFORMATION STORAGE AND RETRIEVAL SYSTEM. WITHOUT THE WRITTEN PERMISSION OF EATON CORPORATION. © 2008 EATON CORPORATION. ALL RIGHTS RESERVED.



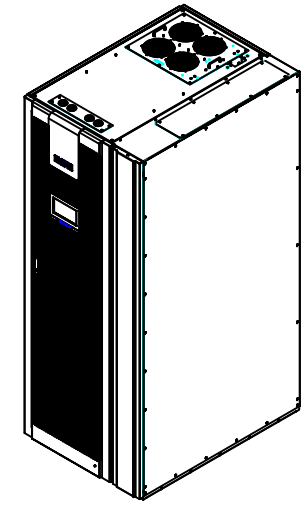
TOP VIEW



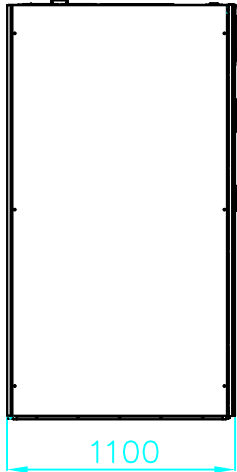
RIGHT VIEW



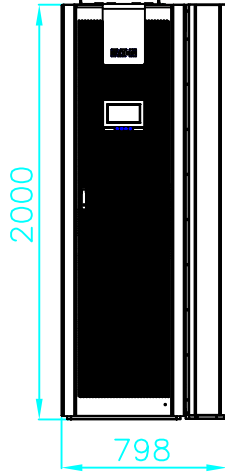
REAR VIEW



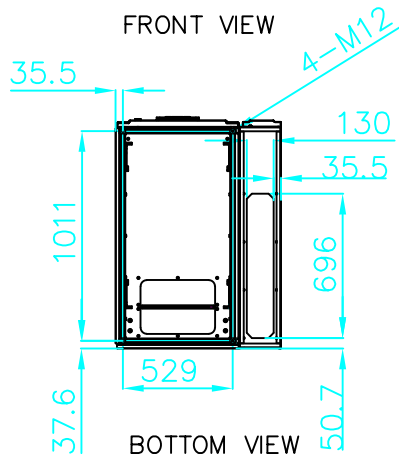
IOS VIEW



LEFT VIEW



FRONT VIEW



BOTTOM VIEW

Product Specifications

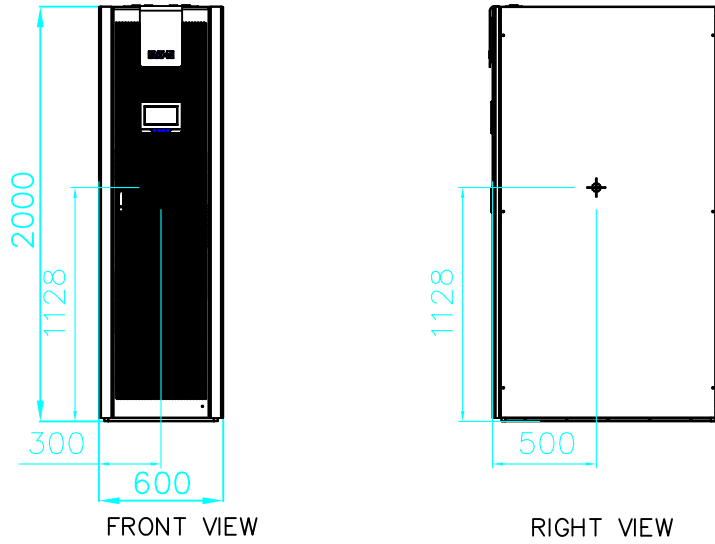
CTO	UPS Rating		Max Heat Dissipation at 100% Load	Dimensions WxDxH	Approx. Weight (incl. UPM) Unpacked	Floor Loading	Cooling Air
	KVA	KW					
9R106A0500J00C0	300	300	KW	798x1100x2000	716	816	3400
9RZ06A0500J00B0	300	300		MM	798x1100x2000	726	827

Notes:

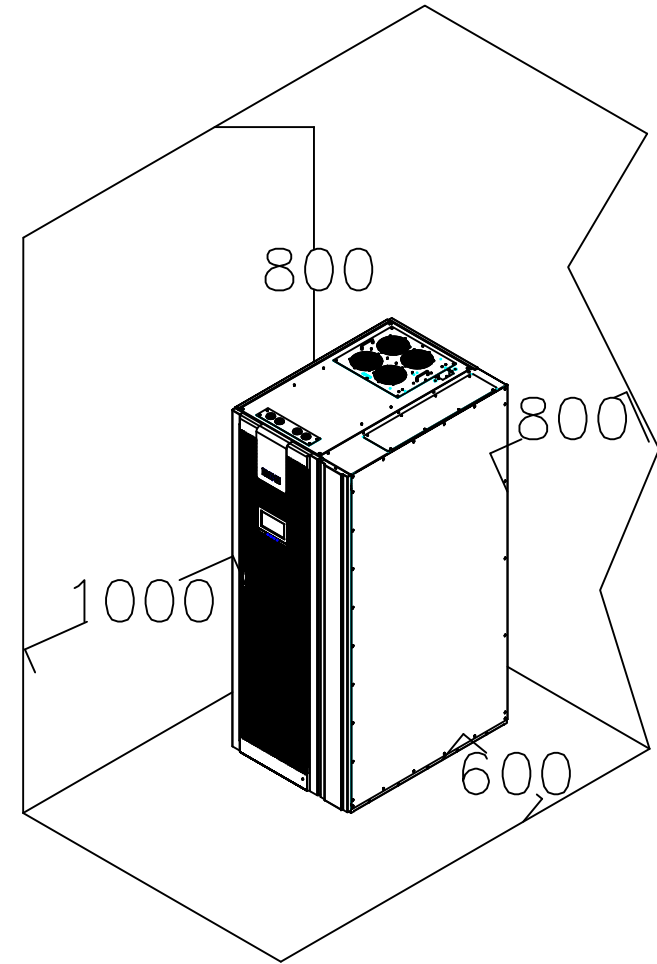
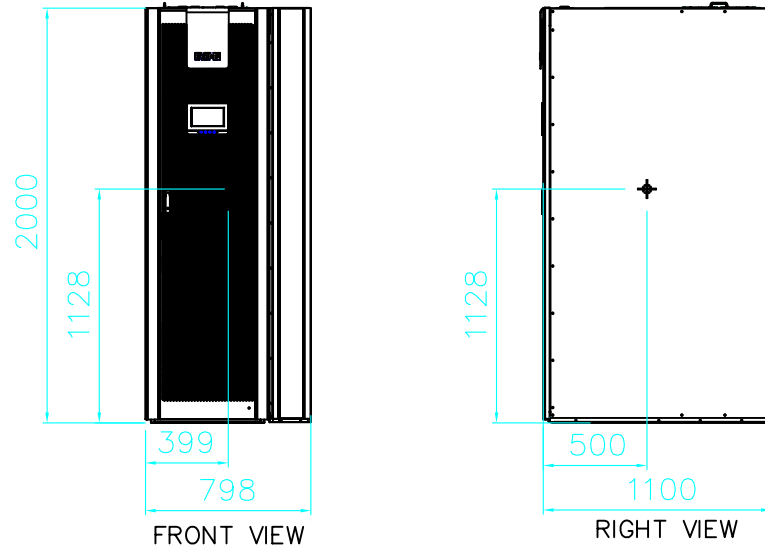
1. The system must be installed in a temperature and humidity controlled indoor area free of conductive contaminants.
2. Continues ambient temperature range: 0-40°C(32-104F);Maximum relative humidity:95% non-condensing.
3. The UPS can be installed on the right sides of line-up-and-match or be installed standalone configurations.
- 4.The Top cable entries and the Bottom cable entries through the removable gland plate are standard for top air configuration UPS. Gland plates shall be fixed back after Routing, if needed.

METRIC		EATON CORPORATION		EATON	
DIMENSIONS ARE IN MILLIMETERS UNLESS OTHERWISE SPECIFIED. DIMENSIONS AND TOLERANCES IN ACCORDANCE WITH ASME Y14.5M-1994. SEE NOTES FOR TOLERANCES.					
DESCRIPTION: 93PR-300 Dimensional Drawings for top air configuration UPS					
ORGANIZED:	ECO:	NAME:	REVISION:	SIZE:	A1
MODIFIED:		DOCUMENT TYPE:	93PR-300	SCALE:	1:1
CHECKED:		PRO-E DRAWING		STATE/RELEASE:	
SAFETY:				SHEET:	1 OF 1
APPROVED:					

COG for standard configuration UPS



COG for top air configuration UPS



Clearance	
From Top of cabinet	800mm
From Front of cabinet	1000mm
From Back of cabinet (when the two sides are not against other cabinets, the 300kW top air configuration UPS can be installed against the wall)	800mm
From Right of cabinet (Only for top air configuration UPS)	600mm

Note:

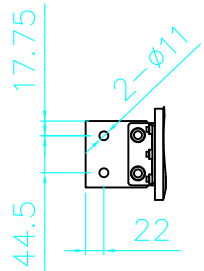
1. The COG dimensions for UPS cabinet are approximated.
2. The COG dimensions of the standard configuration UPS cabinet without package are X=300mm, Y=500mm, Z=1128mm.
3. The COG dimensions of the top air configuration UPS cabinet without package are X=399mm, Y=510mm, Z=1128mm.
4. Minimum overhead clearance above the UPS cabinet is 800mm(32in.) for servicing space.
5. Minimum 1000mm(40in.) clearance in front of the UPS cabinet is required for cooling air intake and servicing space.
6. Minimum 800mm(32in.) clearance in back of the UPS cabinet is required for cooling air and servicing space when the two sides are not against other cabinets, the top air configuration UPS can be installed against the wall.
7. Minimum 600mm(25in.) clearance in right of the top air configuration UPS is required for Cabling and servicing space.

METRIC EATON CORPORATION

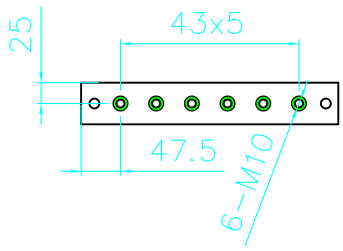
DESCRIPTION: 93PR-300 Clearance Dimensions

ORGANIZED:	ECO:	NAME:	REVISION:	SIZE: A1
MODIFIED:		93PR-300	STATE/RELEASE:	T:1
CHECKED:	DOCUMENT TYPE:	PRO-E DRAWING		SHEET: 1 OF 1
SAFETY:				
APPROVED:				

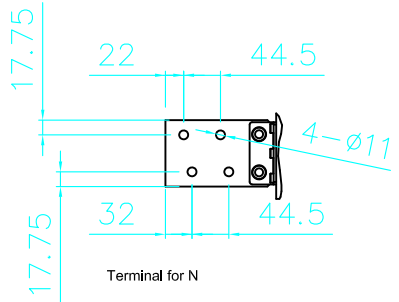
EATON CORPORATION - CONFIDENTIAL AND PROPRIETARY
NOTICE TO REPRODUCERS: THIS DOCUMENT AND ANY TECHNICAL INFORMATION CONTAINED HEREIN IS UNCLASSIFIED EXCEPT WHERE SHOWN OTHERWISE. IT IS THE PROPERTY OF EATON AND IS LOANED TO YOUR ORGANIZATION. IT IS TO BE USED ONLY FOR THE PURPOSES SPECIFIED BY YOU. IT IS NOT TO BE REPRODUCED, COPIED, OR TRANSMITTED IN ANY FORM OR BY ANY MEANS, ELECTRONIC OR MECHANICAL, INCLUDING PHOTOCOPYING, RECORDING, OR BY ANY INFORMATION STORAGE AND RETRIEVAL SYSTEM.



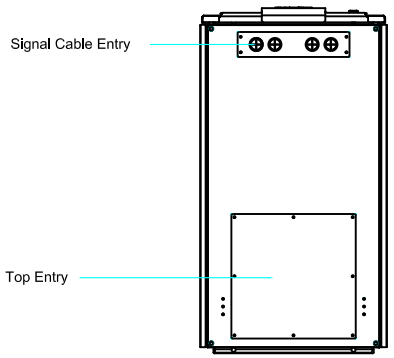
Terminal for Main Input/ Bypass Input/ Output/ Battery+/ Battery-



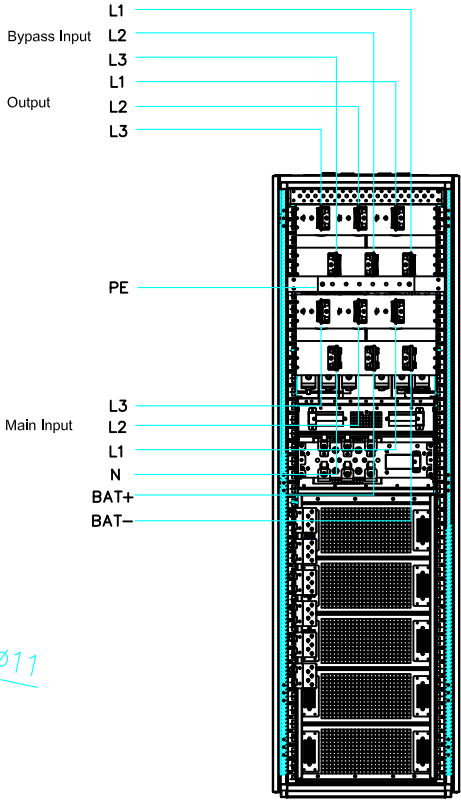
Terminal for PE



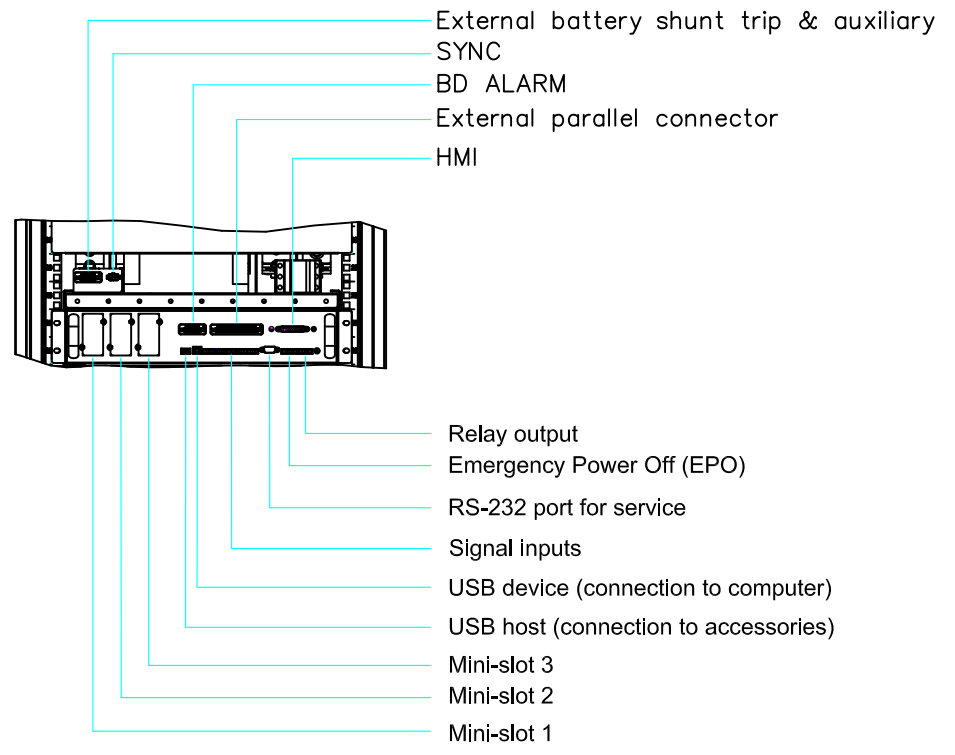
Terminal for N



TOP VIEW

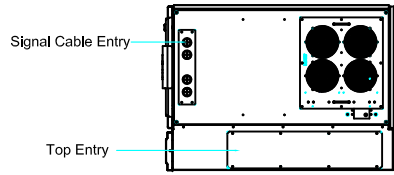


RIGHT VIEW

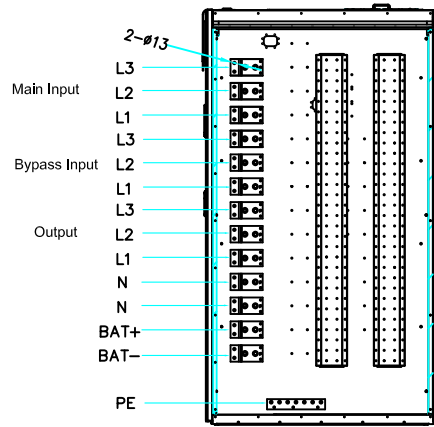


METRIC		EATON CORPORATION		EATON	
DESCRIPTION: 93PR-300 Customer Connections for standard configuration UPS					
ORIGINATOR:	ECON	NAME:	93PR-300	REVISION:	SCALE: A1
MODIFIED:		DOCUMENT TYPE:		STATE/RELEASE:	T-1
CHECKED:		PROJ-E DRAWING		SHEET:	1 OF 1
SAFETY:					
APPROVED:					

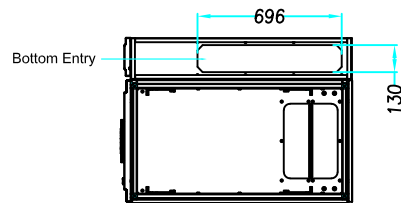
NOTICE TO READER: THIS DOCUMENT IS UNCLASSIFIED AND PUBLIC INFORMATION. IT IS THE PROPERTY OF EATON CORPORATION AND IS LOANED TO YOUR COMPANY. IT IS TO BE USED ONLY FOR THE PURPOSES SPECIFIED. IT IS NOT TO BE REPRODUCED OR TRANSMITTED IN ANY FORM OR BY ANY MEANS, ELECTRONIC OR MECHANICAL, INCLUDING PHOTOCOPYING, RECORDING, OR BY ANY INFORMATION STORAGE AND RETRIEVAL SYSTEM. WITHOUT THE WRITTEN PERMISSION OF EATON CORPORATION, ALL RIGHTS ARE RESERVED.



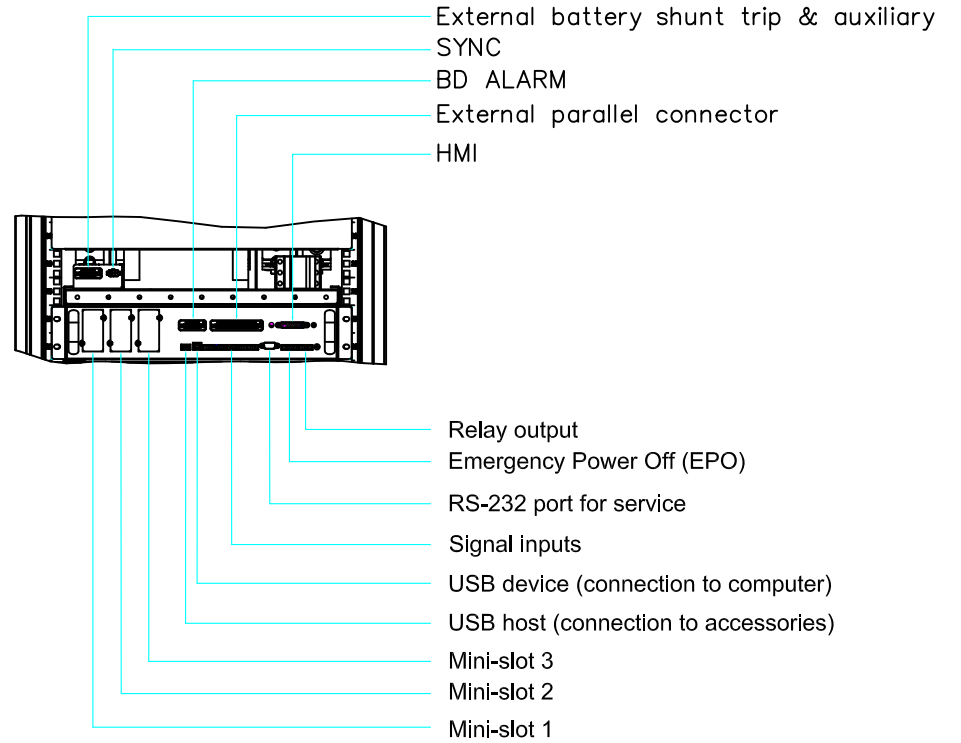
TOP VIEW



RIGHT VIEW

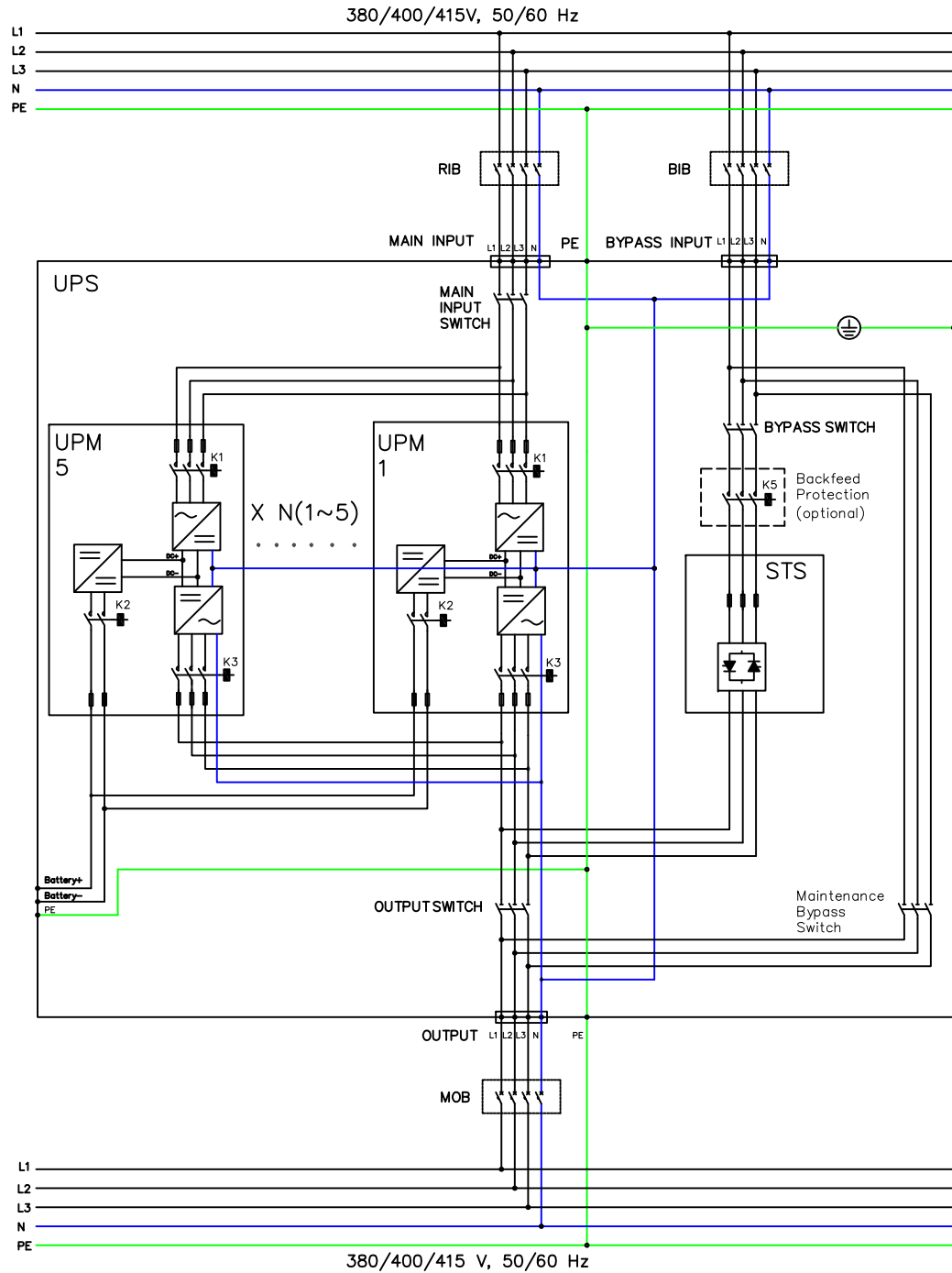


BOTTOM VIEW

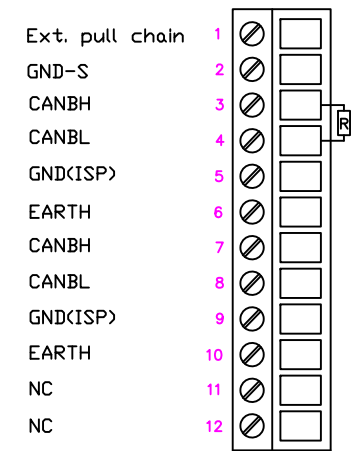


METRIC		EATON CORPORATION		EATON	
DIMENSIONS ARE IN MILLIMETERS UNLESS OTHERWISE SPECIFIED. DIMENSIONS AND TOLERANCES IN ACCORDANCE WITH ASME Y14.5M-1994. SEE NOTES FOR TOLERANCES.					
DESCRIPTION: 93PR-300 Customer Connections for top air configuration UPS					
ORIGINATOR:	ECO	NAME:	93PR-300	REVISION:	1
MODIFIED:		DOCUMENT TYPE:	PRO-E DRAWING	STATE/RELEASE:	T-1
CHECKED:		APPROVED:		SHEET:	1 OF 1
SAFETY:					

NOTICE TO READER: THIS DOCUMENT CONTAINS CONFIDENTIAL AND PROPRIETARY INFORMATION. IT IS THE PROPERTY OF EATON CORPORATION AND IS NOT TO BE REPRODUCED, COPIED, OR TRANSMITTED IN ANY FORM OR BY ANY MEANS, ELECTRONIC OR MECHANICAL, INCLUDING PHOTOCOPYING, RECORDING, OR BY ANY INFORMATION STORAGE AND RETRIEVAL SYSTEM. WITHOUT THE WRITTEN PERMISSION OF EATON CORPORATION, ALL RIGHTS ARE RESERVED.



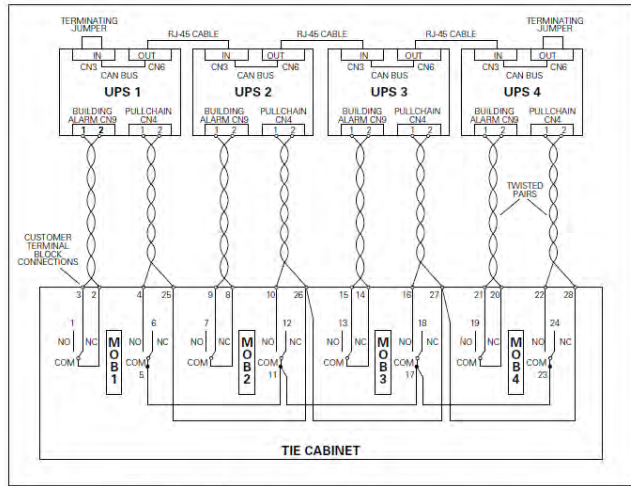
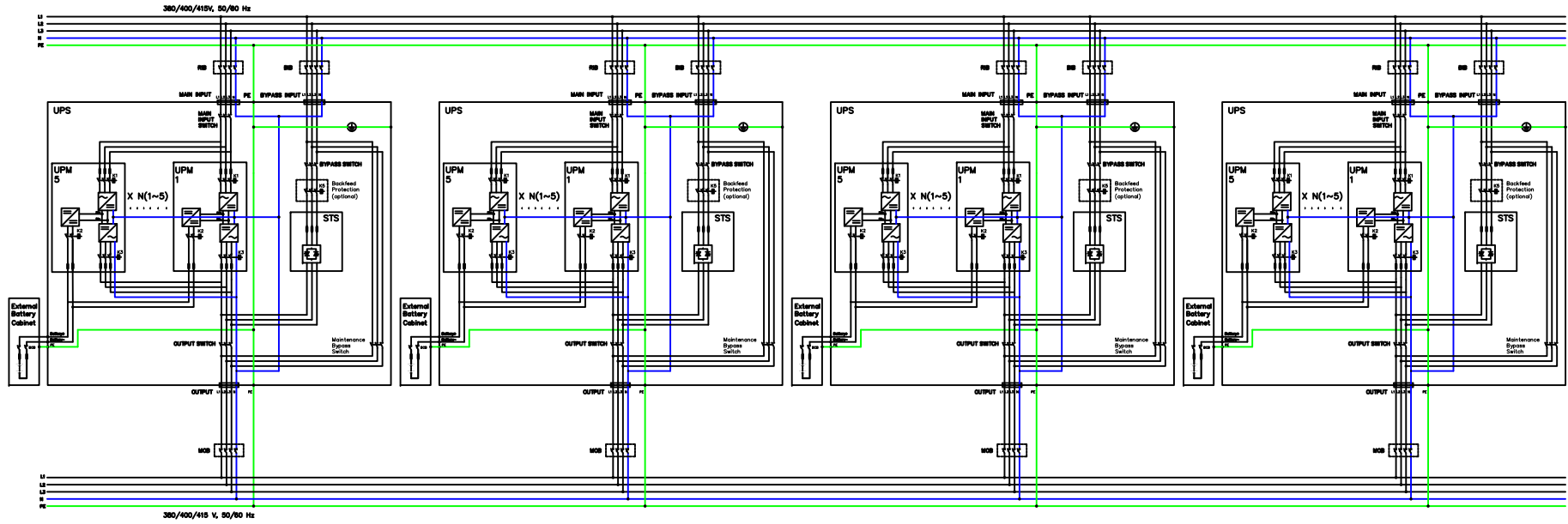
External parallel connector



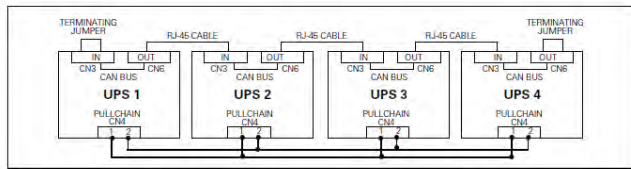
METRIC		EATON CORPORATION		EATON	
DESCRIPTION: 93PR-300 Electrical Wiring					
ORGANIZED:	ECO:	NAME:	REVISION:	SIZE:	A1
MODIFIED:		93PR-300	STATE/RELEASE:	T-1	SCALE:
CHECKED:	DOCUMENT TYPE:				SHEET:
SAFETY:	PRO-E DRAWING				1 OF 1
APPROVED:					

NOTICE TO READER: THIS DOCUMENT IS THE PROPERTY OF EATON CORPORATION AND IS LOANED TO YOU FOR YOUR PERSONAL USE ONLY. IT IS NOT TO BE REPRODUCED, COPIED, OR TRANSMITTED IN ANY MANNER WITHOUT THE WRITTEN PERMISSION OF EATON CORPORATION. EATON CORPORATION IS NOT RESPONSIBLE FOR ANY DAMAGE TO PERSONS OR PROPERTY CAUSED BY THE USE OF THIS DOCUMENT.

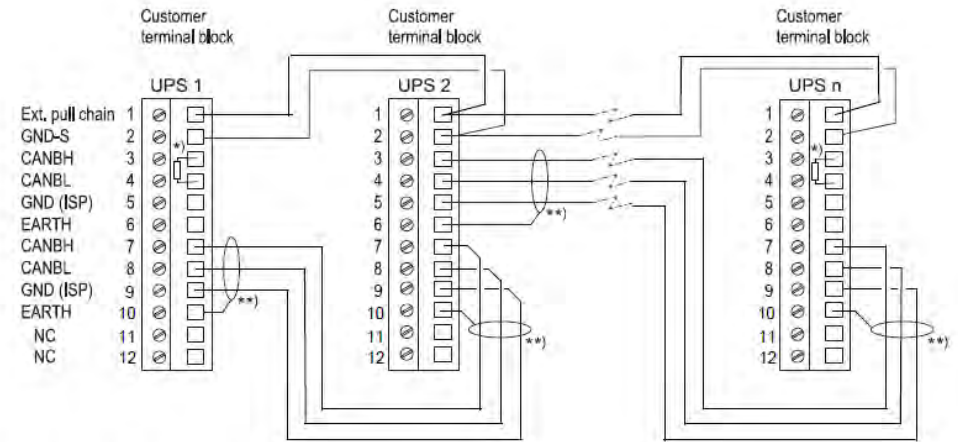
Separate Battery Configurations



UPS paralleling wiring diagram – with parallel tie cabinet



UPS paralleling wiring diagram – without parallel tie cabinet



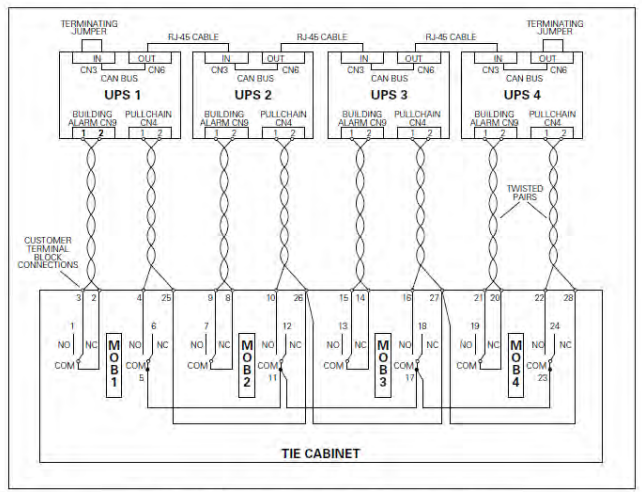
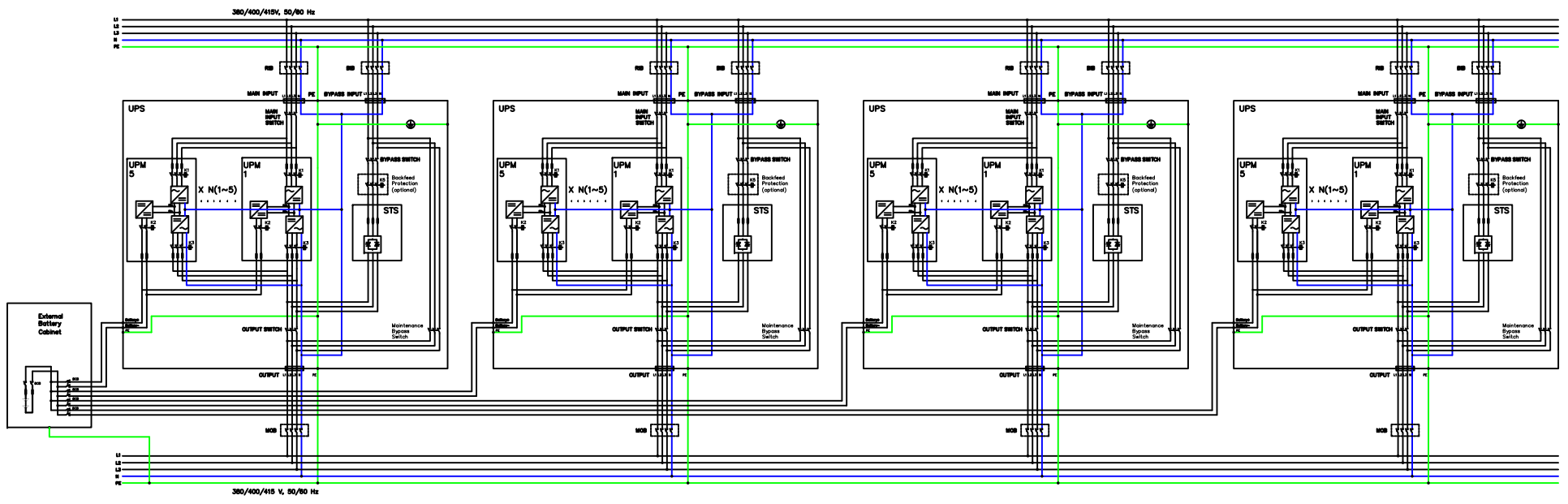
*) First and last UPS shall be terminated with resistor
 **) Shield connected on one end only

CAN and Pull-Chain Wiring for Parallel UPS

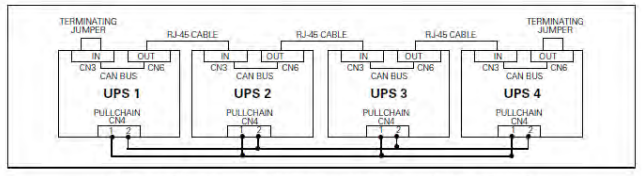
METRIC		EATON CORPORATION		EATON	
DESCRIPTION: 93PR-300 Electrical & Ground Wiring of Parallel Units by Separate Battery Configurations					
ORIGINATOR:	ECO:	NAME:	REVISION:	SIZE:	A1
MODIFIED:	DOCUMENT TYPE:	93PR-300	STATE/RELEASE:	SCALE:	1:1
CHECKED:	SAFETY:	PRO-E DRAWING:	1 OF 1	SHEET:	1 OF 1
APPROVED:					

NOTICE TO READER: EATON CORPORATION IS A REGISTERED TRADEMARK OF EATON CORPORATION. ALL RIGHTS RESERVED. EATON CORPORATION IS NOT RESPONSIBLE FOR THE CONTENTS OF THIS DOCUMENT. EATON CORPORATION IS NOT RESPONSIBLE FOR THE CONTENTS OF THIS DOCUMENT. EATON CORPORATION IS NOT RESPONSIBLE FOR THE CONTENTS OF THIS DOCUMENT. EATON CORPORATION IS NOT RESPONSIBLE FOR THE CONTENTS OF THIS DOCUMENT.

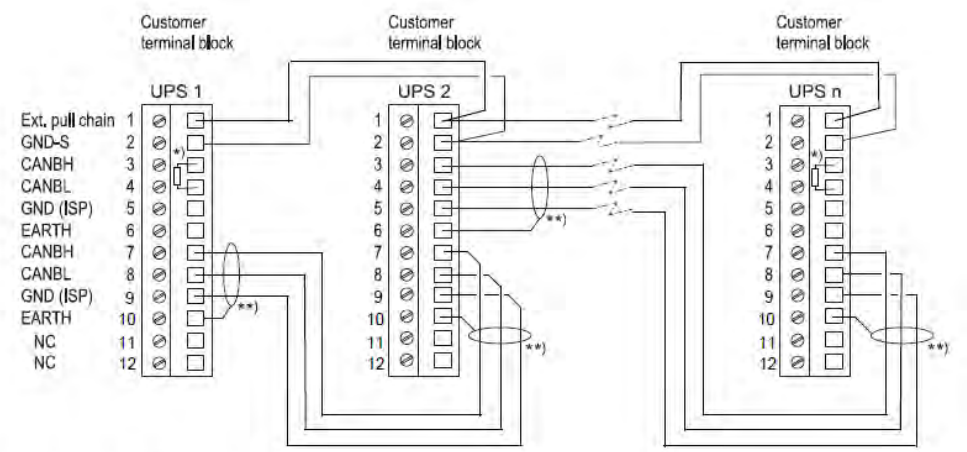
Common Battery Configurations



UPS paralleling wiring diagram – with parallel tie cabinet



UPS paralleling wiring diagram – without parallel tie cabinet



*) First and last UPS shall be terminated with resistor
 **) Shield connected on one end only

CAN and Pull-Chain Wiring for Parallel UPS

METRIC		EATON CORPORATION		EATON	
DISCREET USE IN MILLIMETERS AFTER PLACING DIMENSIONS AND TOLERANCES IN ACCORDANCE WITH ISO 15:2001. SEE NOTES FOR TOLERANCES.					
DESCRIPTION: 93PR-300 Electrical & Signal Wiring of Parallel Units by Common Battery Configurations					
ORGANIZATION:	ECO:	NAME:	REVISION:	SIZE:	A1
MODIFIED:	DOCUMENT TYPE:	93PR-300	STATE RELEASE:	SCALE:	1:1
CHECKED:	SAFETY:	PRO-E DRAWING:	1 OF 1	SHEET:	1 OF 1
APPROVED:					

NOTICE TO READER: EATON CORPORATION IS A REGISTERED TRADEMARK OF EATON CORPORATION. ALL RIGHTS RESERVED. EATON CORPORATION IS NOT RESPONSIBLE FOR THE CONTENTS OF THIS DOCUMENT. EATON CORPORATION IS NOT RESPONSIBLE FOR THE CONTENTS OF THIS DOCUMENT. EATON CORPORATION IS NOT RESPONSIBLE FOR THE CONTENTS OF THIS DOCUMENT.

93PR-300 UPS Site planning Data

Product Specifications

UPS Rating		AC Input		4P Rectifier Input Breaker(RIB)		4P Bypass Input Breaker(BIB)		AC Output			4P Inverter AC Output Breaker MOB				Battery Breaker(BCB) (Rating at the end of discharge,1.67VPC)			For Parallel Units Common Maintenance Bypass Switch (MBS)	
				Nominal Current	Maximum Current	Nominal Current 400v Input	Maximum Current at 10% under voltage	Output Current	Inverter Short Circuit Current	Auxiliary Switches	Rating	Common Battery Configuration (UPS Battery)	Trip Device (Shunt Trip)	Auxiliary Switches	Rating	Auxiliary Switches			
kVA	kVA	V	A	A	A	A	V	A	A	Qty	VDC	A	VDC	Qty	A	Qty			
300	300	400	451	475	433	456	400	433	866	1	480	651	48	1	630A x N	1			
240	240	400	361	380	346	365	400	346	692	1	480	521	48	1	500A x N	1			

Minimum recommended cable and fuse sizes

UPS Rating (kW)	Cable (mm ²)	Rectifier Fuse (A)	Bypass Fuse (A)	PE Cable (mm ²)	Nature Cable(mm ²)	Battery Fuse(A)	EX BATT PE Cable (mm ²)
300	2*150	700	900	6*150	3*150	1200	4*150

Notes:

1. Rectifier AC input current calculations: Nominal - 100% load without charging; maximum charging(Rectifier current limit).
2. Invert AC output current calculation: At 100% rated output load.
3. The system must be installed on a level floor suitable for computer or electronic equipment.
4. All wiring and installations must be in accordance with applicable National and Local Electric Regulations.
5. AC input to UPS:(3)phases, (1)neutral, (1)ground.
AC output to load:(3)phases, (1)neutral, (1)ground.
DC input from battery to UPS:(1)positive, (1)negative, (1)ground.
6. All breakers should be adjusted according to the specified Ampere values to protect the UPS and installation.
7. For UPS installations that utilizes single feed input, The input breaker should be configured according to the rated rectifier input current...
8. Specifications are subject to change.

METRIC		EATON CORPORATION		EATON	
DESCRIPTION: 93PR-300 Product Specifications					
ORIGINATOR:	ECO:	NAME:	REVISION:	SIZE:	A1
MODIFIED:		93PR-300		SCALE:	1:1
CHECKED:	DOCUMENT TYPE:		STATE/RELEASE:	SHEET:	1 OF 1
SAFETY:	PRO-E DRAWING				
APPROVED:					

NOTICE TO PERSONS RECEIVING THIS DOCUMENT: THIS DOCUMENT IS NOT TECHNICAL INFORMATION. IT IS SUBJECT TO CHANGE WITHOUT NOTICE. IT IS THE USER'S RESPONSIBILITY TO VERIFY THE ACCURACY OF THE INFORMATION CONTAINED HEREIN. EATON CORPORATION IS NOT RESPONSIBLE FOR ANY DAMAGE OR LOSS OF PROFITS, BUSINESS, OR REPUTATION, OR FOR ANY SPECIAL, CONSEQUENTIAL, OR INCIDENTAL DAMAGES, INCLUDING ATTORNEY'S FEES, ARISING FROM THE USE OF THIS DOCUMENT. © 2000 EATON CORPORATION. ALL RIGHTS RESERVED.