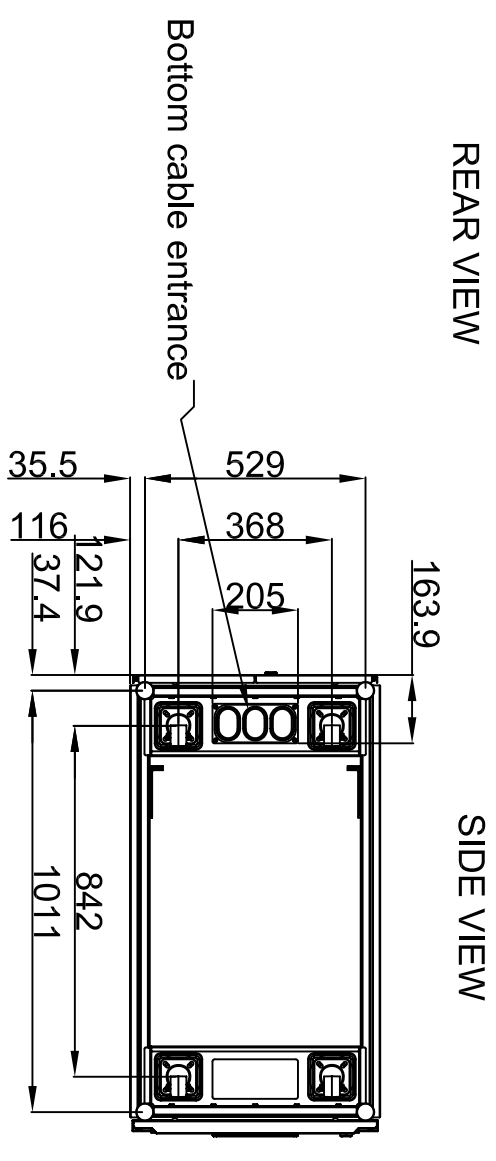
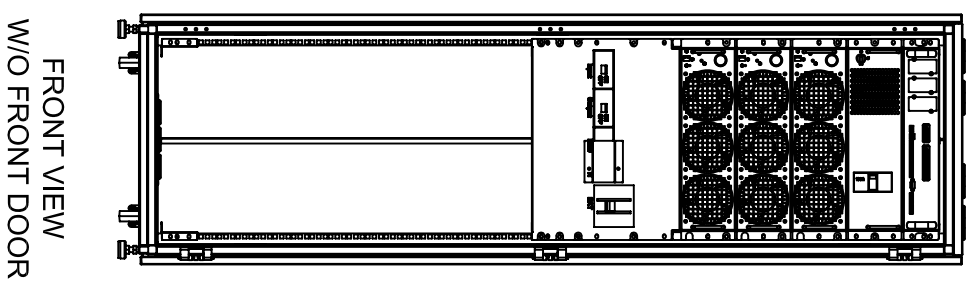
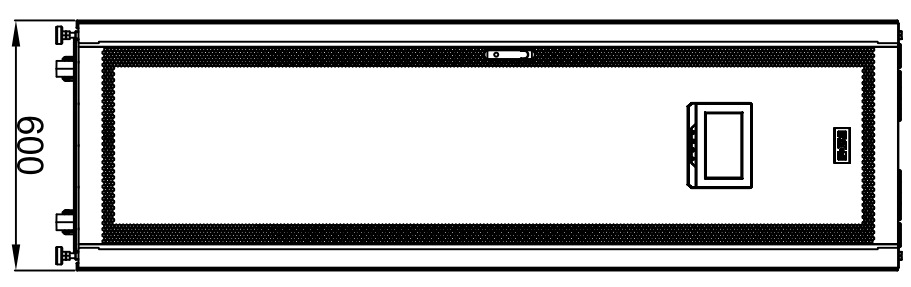
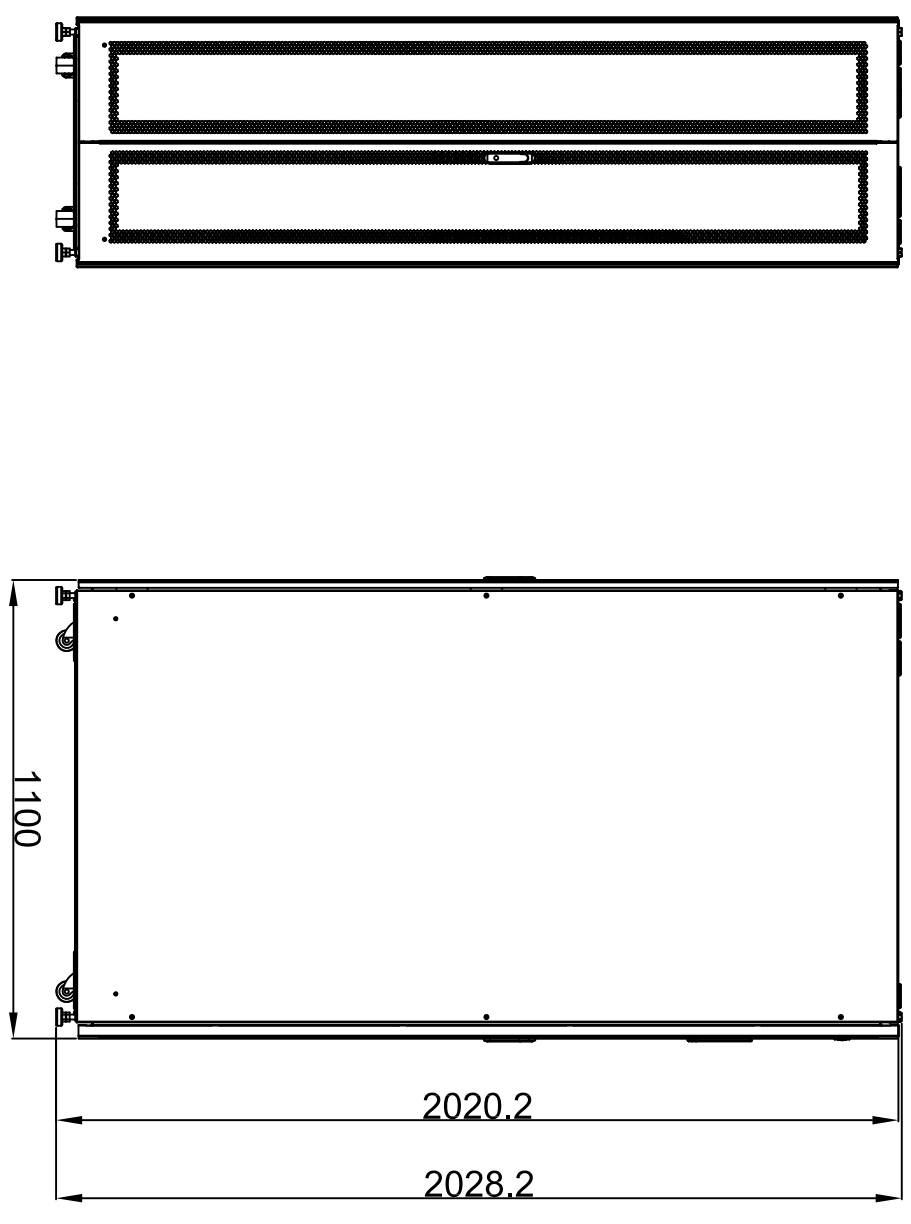
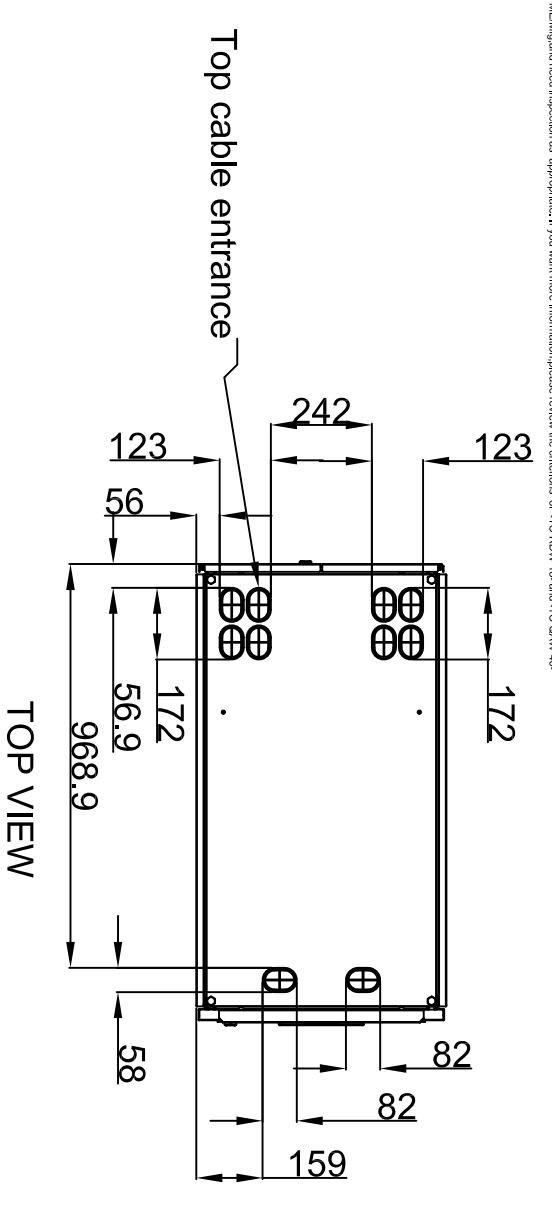


NOTES:
 1. FCID: 00002-2-000 K&E/Dimension: *
 2. SDC Required: Control Dimension: These Dimensions need process control & capability (final and original). 100% inspection, poke yoke, etc. as appropriate.
 3. Key Dimension: These Dimensions are defined by MEF/fig and need inspection as appropriate. If you want more information please review the criteria of <TCRDW-15-9nd-TCQM-4d>



METRIC		EATON CORPORATION	
DESCRIPTION	75kW UPS without Internal battery modules GA drawing	DATE	11/11
ISSUED		DESIGNED	
APPROVED		CHECKED	
PROJECT		PROJECT	
SCALE		SCALE	
REVISION		REVISION	