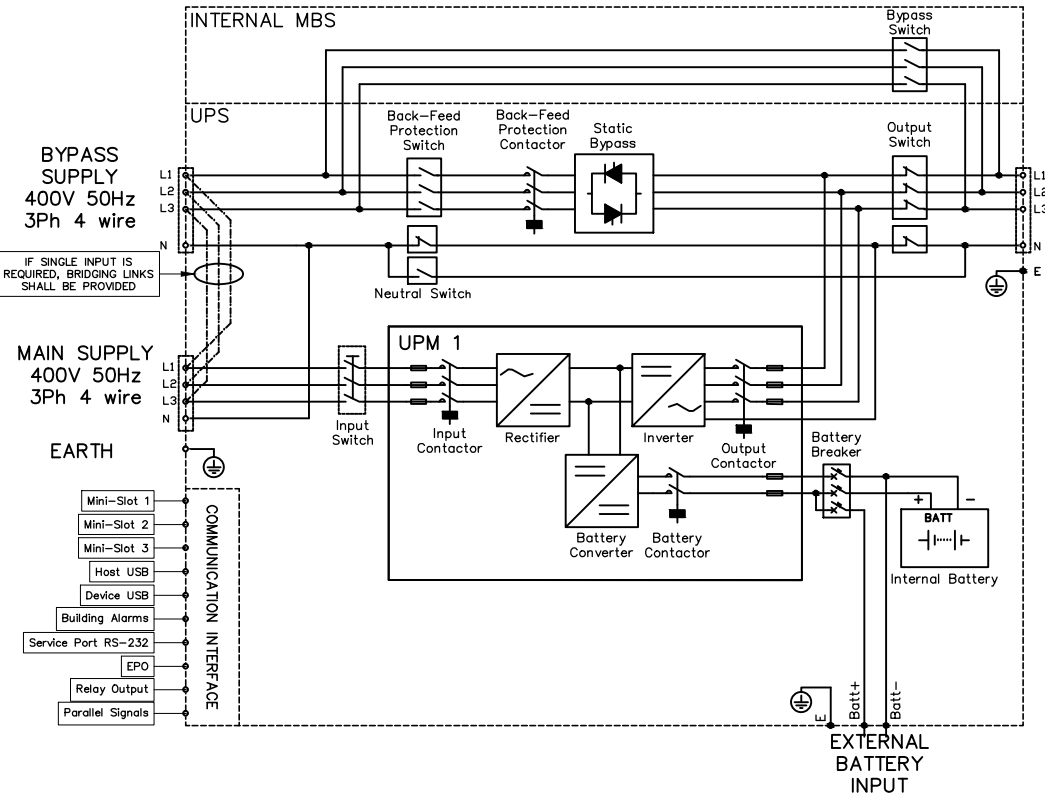


CONNECTION AND FUNCTIONAL DIAGRAM



OUTPUT TO LOAD
400V
50Hz

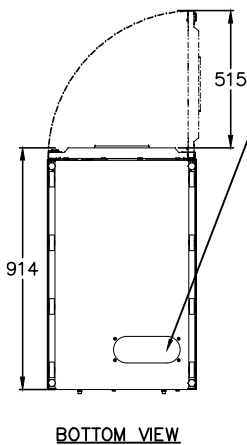
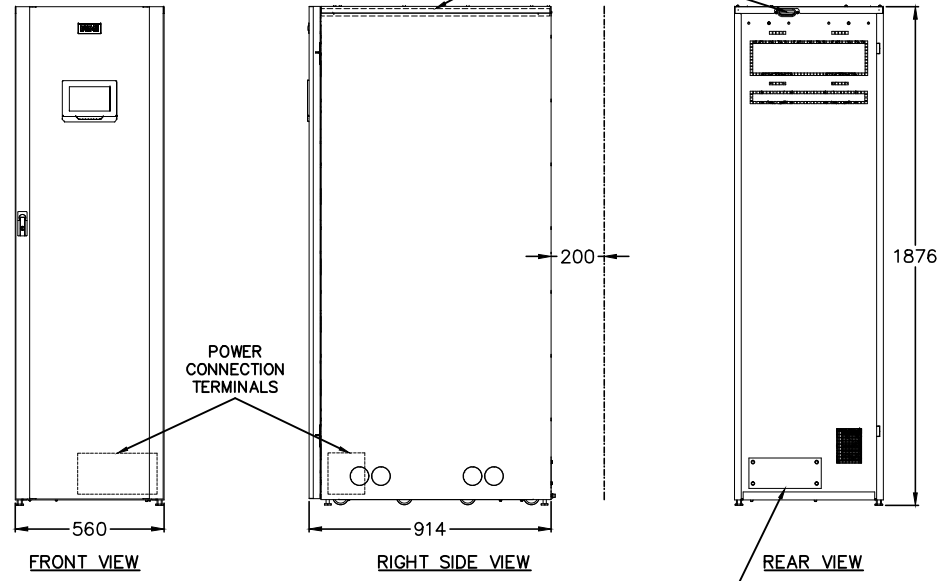


TABLE 1.
Minimum Clearance (@ 40°C)

Model	From Top	From Front	From Back
30-50kW	500mm	900mm	200mm*

*Cabling may require more space.

TABLE 2.
Net Weight (with internal batteries)

Battery Strings	Net Weight	Floor Loading
3*	579kg	1131kg/m ²
4	676kg	1321kg/m ²
5	773kg	1510kg/m ²
6	870kg	1700kg/m ²

*Integrated battery with 3 strings is only available for 30kW model.

Notes:

1. The system must be installed on a level floor and in a clean environment suitable for electronic equipment.
2. Ambient temperature range: 0-40C; Recommended operating range for batteries: 20-25C; Maximum relative humidity: 95% non-condensing.
3. For minimum clearances for ventilation & service around the UPS cabinet, refer to table 1.
4. For net weight and floor loading calculations for UPS with internal batteries, refer to table 2.
5. Bottom cable entry at back of cabinet or rear entry through removable gland plate.
6. Power connection terminals are replaced with bus bar connection for UPS without internal batteries.
7. The UPS cabinet can be installed in line-up-and-match or standalone configurations.
8. All wiring and cabling is to be in accordance with National and Local Electrical Standards.

UPS Installation Specifications

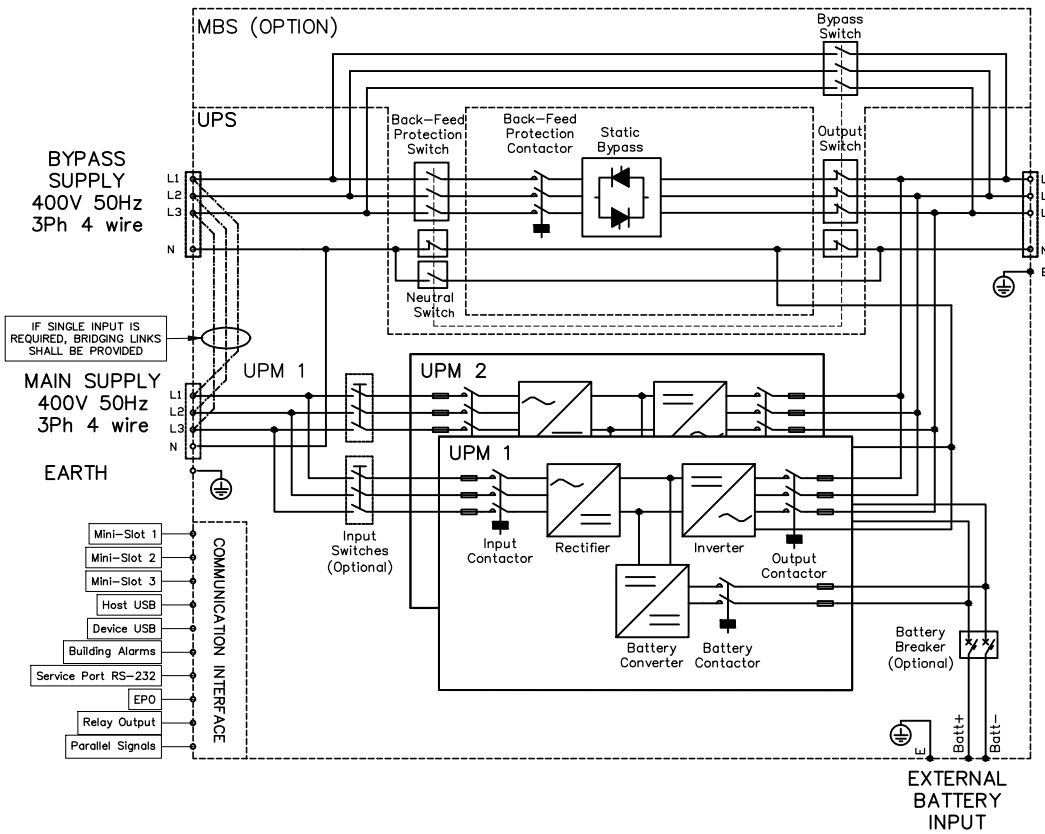
UPS Rating	Rated AC Input Voltage (-15% +20% @ 100% Load)	Rated AC Output Voltage	Rectifier AC Input Current		Bypass Input Current		Max. Battery Current (@ 400V)	UPS Output Current	Input & Output max. terminal size	Battery max. terminal size	Earth cable max. terminal size	Dimensions	Net Weight (without internal batteries)	Floor Loading	Heat Dissipation (@ 400V, 100% Load)	
			Nominal (@ 400V)	Maximum	Nominal (@ 400V)	Maximum (@ 400V)										
kVA	kW	VOLT	VOLT	AMP	AMP	AMP	AMP	AMP	mm ²	mm ²	mm ²	mm	kg	kg/m ²	kW(BTU/hr)	
30	30	230/400	230/400	46	95	44	52	95	44	50	95	35	560x914x1876	288	563	1.02(3480)
40	40	230/400	230/400	61	95	59	70	126	59	50	95	35	560x914x1876	288	563	1.44(4913)
50	50	230/400	230/400	76	95	74	87	158	74	50	95	35	560x914x1876	288	563	1.85(6312)

*Drawings and UPS Specifications are subject to change.

AS-1100 THIRD ANGLE PROJECTION	<small>UNLESS OTHERWISE SPECIFIED ALL DIMENSIONS IN MILLIMETRES.</small>
--	--

DRAWN AA	SCALE NTS	FILENAME: SITEPLAN_93PM_30-50kW.dwg	A4
TITLE SITE PLANNING GUIDE 93PM 30-50kW			REV 0
DRAWING NUMBER A4W0353			

CONNECTION AND FUNCTIONAL DIAGRAM



OUTPUT TO LOAD
400V
50Hz

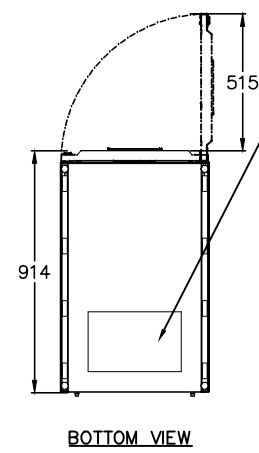
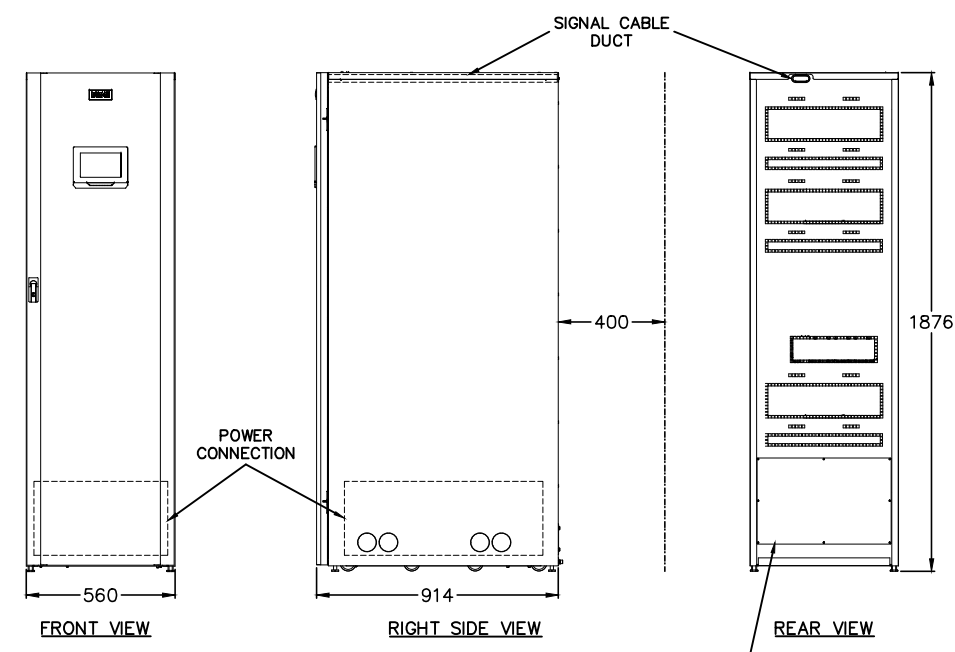


TABLE 1.

Minimum Clearance (@ 40°C)			
Model	From Top	From Front	From Back
80-100kW	800mm	900mm	400mm*

*Cabling may require more space.

- Notes:
1. The system must be installed on a level floor and in a clean environment suitable for electronic equipment.
 2. Ambient temperature range: 0-40C; Recommended operating range for batteries: 20-25C; Maximum relative humidity: 95% non-condensing.
 3. For minimum clearances for ventilation & service around the UPS cabinet, refer to table 1.
 4. Power connection can be made via bus bars located at the bottom of the UPS.
 5. Bottom cable entry at back of cabinet or rear entry through removable gland plate.
 6. The UPS cabinet can be installed in line-up-and-match or standalone configurations.
 7. All wiring and cabling is to be in accordance with National and Local Electrical Standards.

UPS Installation Specifications

UPS Rating	Rated AC Input Voltage (-15% +20% @ 100% Load)		Rated AC Output Voltage	Rectifier AC Input Current		Bypass Input Current		Max. Battery Current (@ 400V)	UPS Output Current	Dimensions	Net Weight	Floor Loading	Heat Dissipation (@ 400V, 100% Load)
	kVA	kW		VOLT	VOLT	AMP	AMP						
80	80	230/400	230/400	121	200	116	138	231	116	560x914x1876	338	660	2.82(9606)
100	100	230/400	230/400	151	200	145	175	289	145	560x914x1876	338	660	3.73(12741)

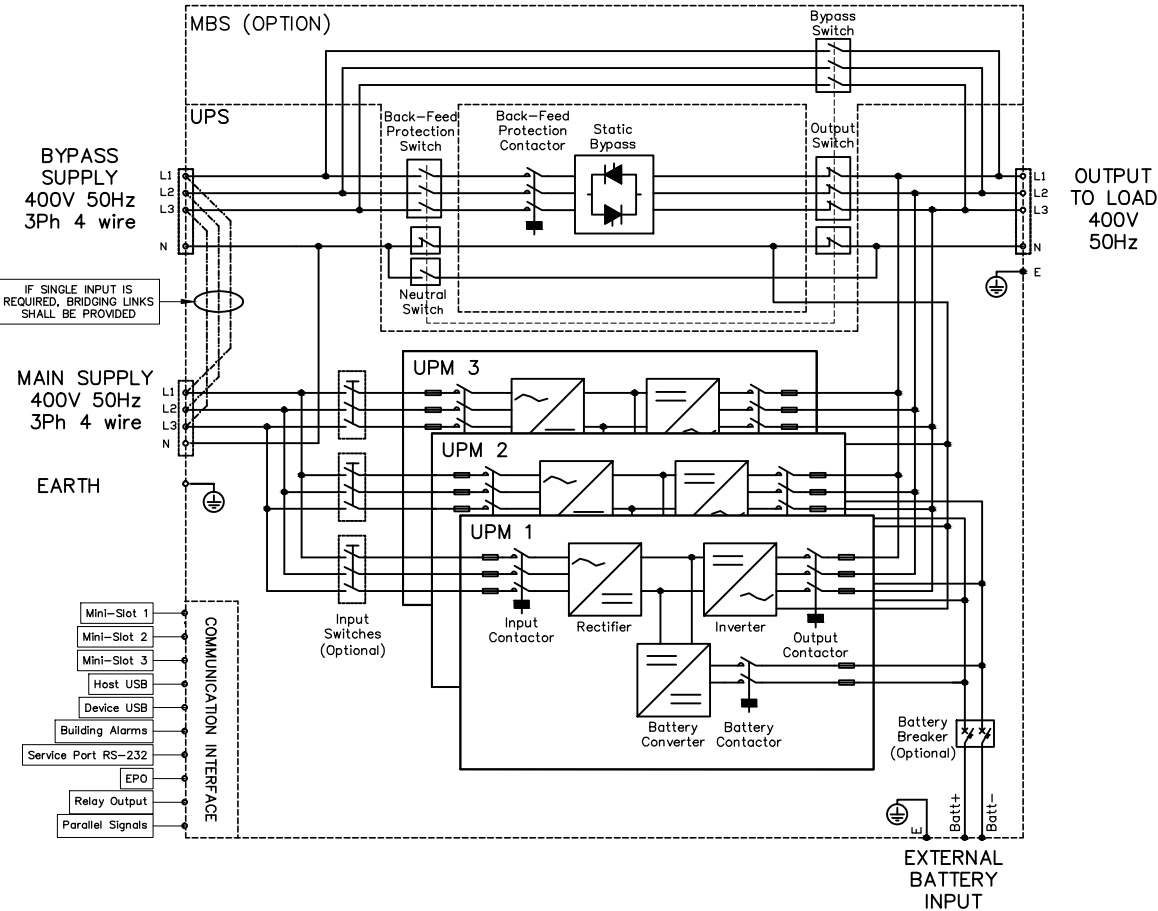
*Drawings and UPS Specifications are subject to change.

EATON	DRAWN AA	SCALE NTS	FILENAME: SITEPLAN_93PM_80-100kW_MBS.dwg	A4
	TITLE SITE PLANNING GUIDE 93PM 80-100kW			REV
	DRAWING NUMBER A4W0354			0

AS-1100
THIRD ANGLE PROJECTION

UNLESS OTHERWISE SPECIFIED ALL DIMENSIONS IN MILLIMETRES.

CONNECTION AND FUNCTIONAL DIAGRAM



- Notes:
1. The system must be installed on a level floor and in a clean environment suitable for electronic equipment.
 2. Ambient temperature range: 0–40C; Recommended operating range for batteries: 20–25C; Maximum relative humidity: 95% non-condensing.
 3. For minimum clearances for ventilation & service around the UPS cabinet, refer to table 1.
 4. Power connection can be made via bus bars located at the bottom of the UPS.
 5. Bottom cable entry at back of cabinet or rear entry through removable gland plate.
 6. The UPS cabinet can be installed in line-up-and-match or standalone configurations.
 7. All wiring and cabling is to be in accordance with National and Local Electrical Standards.

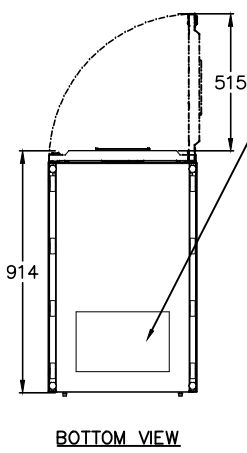
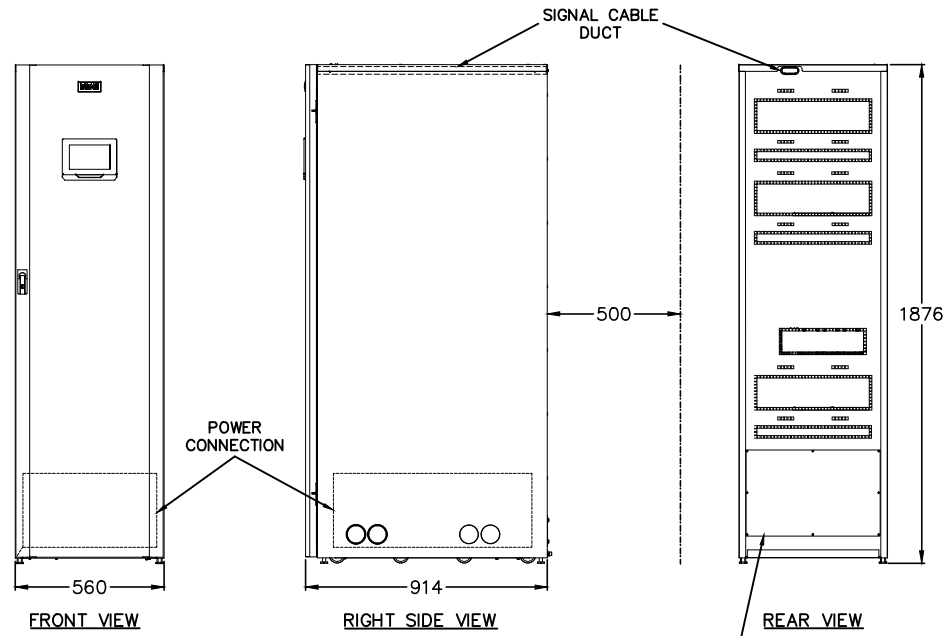


TABLE 1.
Minimum Clearance (@ 40°C)

Model	From Top	From Front	From Back
120–150kW	800mm	900mm	500mm*

*Cabling may require more space.

UPS Installation Specifications

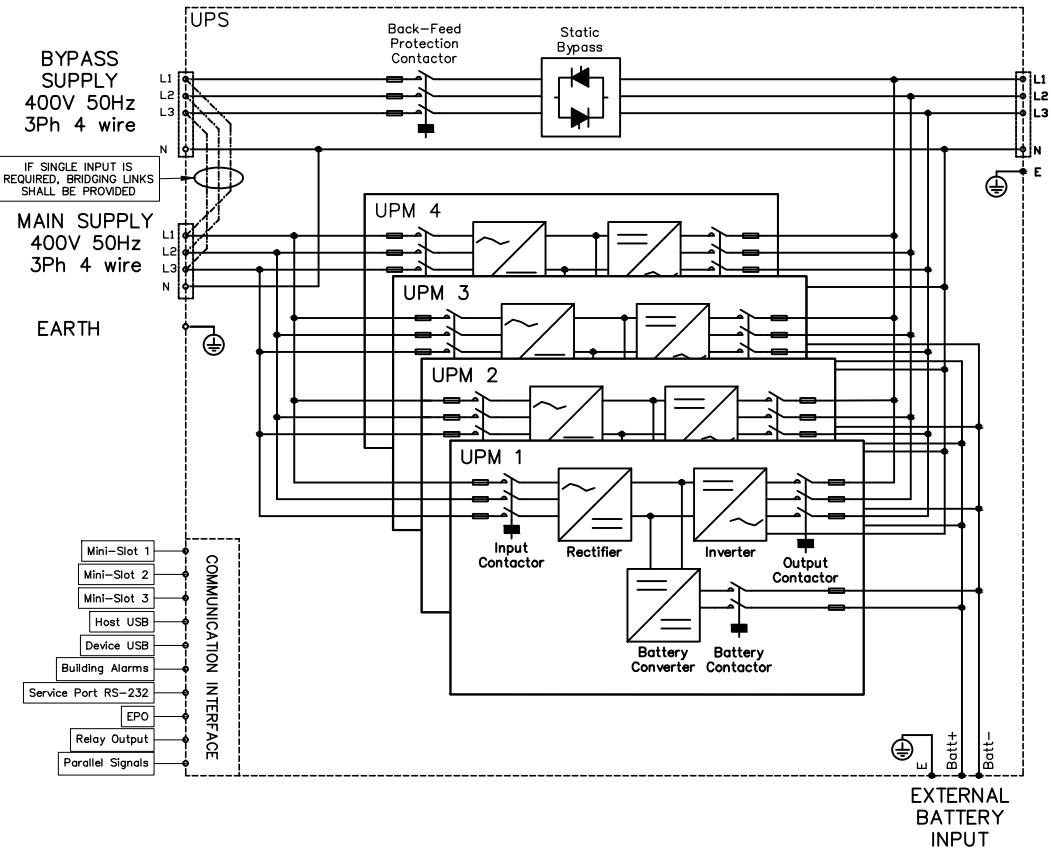
UPS Rating	Rated AC Input Voltage (-15% +20% @ 100% Load)	Rated AC Output Voltage	Rectifier AC Input Current		Bypass Input Current		Max. Battery Current (@ 400V)	UPS Output Current (Rated (@ 400V))	Dimensions	Net Weight	Floor Loading	Heat Dissipation (@ 400V, 100% Load)	
			Nominal (@ 400V)	Maximum	Nominal (@ 400V)	Maximum (@ 400V)							
kVA	kW	VOLT	VOLT	AMP	AMP	AMP	AMP	AMP	mm	kg	kg/m ²	kW(BTU/hr)	
120	120	230/400	230/400	181	300	174	206	346	174	560x914x1876	438	856	4.10(13973)
150	150	230/400	230/400	226	300	218	258	433	218	560x914x1876	438	856	5.44(18562)

*Drawings and UPS Specifications are subject to change.

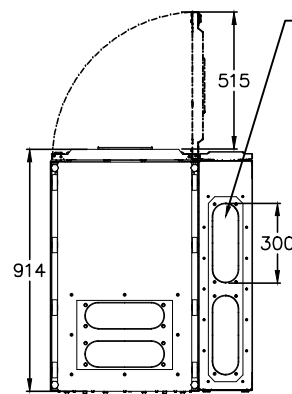
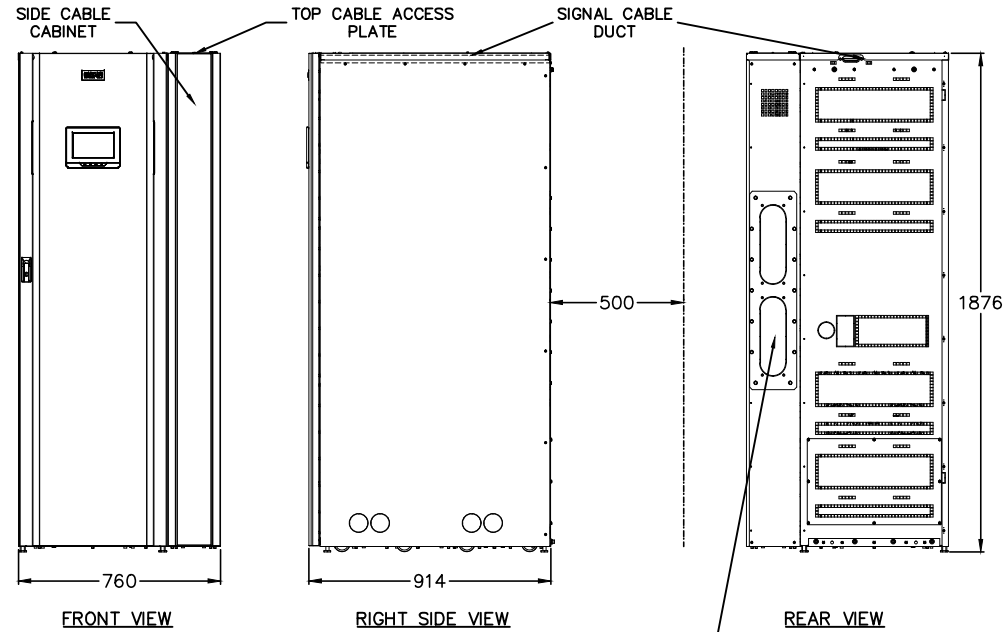
	DRAWN: AA SCALE: NTS FILENAME: SITEPLAN_93PM_120-150kW_MBS.dwg DATE: 02.05.14	A4
	TITLE: SITE PLANNING GUIDE 93PM 120-150kW	
	DRAWING NUMBER: A4W0355	REV: 0

AS-1100 THIRD ANGLE PROJECTION UNLESS OTHERWISE SPECIFIED ALL DIMENSIONS IN MILLIMETRES.

CONNECTION AND FUNCTIONAL DIAGRAM



OUTPUT TO LOAD
400V
50Hz



BOTTOM VIEW

TABLE 1.

Minimum Clearance (@ 40°C)			
Model	From Top	From Front	From Back
160-200kW	800mm	900mm	500mm*

*Cabling may require more space.

- Notes:
1. The system must be installed on a level floor and in a clean environment suitable for electronic equipment.
 2. Ambient temperature range: 0-40C; Recommended operating range for batteries: 20-25C; Maximum relative humidity: 95% non-condensing.
 3. For minimum clearances for ventilation & service around the UPS cabinet, refer to table 1.
 4. Bottom and Top cable entry on side cable cabinet or rear entry through removable gland plate on side cable cabinet.
 4. Power connection can be made via bus bars located in the side cable cabinet of the UPS.
 5. The UPS cabinet can be installed in line-up-and-match or standalone configurations.
 6. All wiring and cabling is to be in accordance with National and Local Electrical Standards.

UPS Installation Specifications

UPS Rating	Rated AC Input Voltage (-15% +20% @ 100% Load)	Rated AC Output Voltage	Rectifier AC Input Current		Bypass Input Current		Max. Battery Current (@ 400V)	UPS Output Current (Rated @ 400V)	Dimensions	Net Weight	Floor Loading	Heat Dissipation (@ 400V, 100% Load)	
			Nominal (@ 400V)	Maximum	Nominal (@ 400V)	Maximum (@ 400V)							
kVA	kW	VOLT	VOLT	AMP	AMP	AMP	AMP	AMP	mm	kg	kg/m ²	kW(BTU/hr)	
160	160	230/400	230/400	241	400	231	275	463	231	760x914x1876	556	800	5.63(19210)
200	200	230/400	230/400	301	400	289	344	578	289	760x914x1876	556	800	7.40(25250)

*Drawings and UPS Specifications are subject to change.

	DRAWN AA 01.05.14	SCALE NTS	FILENAME: SITEPLAN_93PM_160-200kW.dwg	A4
	TITLE SITE PLANNING GUIDE 93PM 160-200kW			
	DRAWING NUMBER A4W0356			REV 0

AS-1100 THIRD ANGLE PROJECTION UNLESS OTHERWISE SPECIFIED ALL DIMENSIONS IN MILLIMETRES.